



US00D719618S

(12) **United States Design Patent**
Herlitz et al.

(10) **Patent No.:** **US D719,618 S**

(45) **Date of Patent:** **** Dec. 16, 2014**

(54) **RIDE ON VEHICLE**

(71) Applicant: **Radio Flyer Inc.**, Chicago, IL (US)

(72) Inventors: **Todd Herlitz**, Glenview, IL (US); **Kyle Houchens**, Oakdale, CA (US)

(73) Assignee: **Radio Flyer Inc.**, Chicago, IL (US)

(**) Term: **14 Years**

(21) Appl. No.: **29/469,377**

(22) Filed: **Oct. 9, 2013**

(51) **LOC (10) Cl.** **21-01**

(52) **U.S. Cl.**
USPC **D21/424**

(58) **Field of Classification Search**

CPC A63G 13/00; A63G 13/06; A63G 13/10;
A63G 15/00; A63G 15/02; A63G 15/04;
B62B 7/00; B62B 7/002; B62B 7/004; B62B
7/006; B62B 7/008; B62B 7/02; B62B 7/04;
B62B 7/042; B62B 7/044; B62B 7/06;
B62B 7/12; B62B 7/126; B62B 7/14; B62B
7/142; B62B 7/145; B62B 7/147; B62B 9/00;
B62B 7/28

USPC D21/419, 424, 426, 433, 503, 533, 548,
D21/549, 592, 831, 832, 833; 280/1.16,
280/1.165, 1.167, 1.191, 1.192, 1.22, 1.23,
280/827, 828, 87.01, 87.021, 87.03

See application file for complete search history.

(56) **References Cited**

U.S. PATENT DOCUMENTS

3,902,739 A * 9/1975 Kimura 280/249
D252,653 S * 8/1979 Nakao et al. D21/428
D261,784 S * 11/1981 Fisher D21/424
D264,234 S * 5/1982 Nakao et al. D21/433
D272,166 S * 1/1984 Orenstein D21/424
D275,299 S * 8/1984 Petersson et al. D21/424
D282,184 S * 1/1986 Nakao et al. D21/433

4,595,380 A 6/1986 Magers
D285,323 S * 8/1986 Appel D21/435
D307,609 S 5/1990 Harrod
D320,239 S * 9/1991 Kassai D21/424
5,154,658 A 10/1992 Marcus
D352,741 S * 11/1994 Nakai D21/424
D367,297 S 2/1996 Doucette
D439,934 S * 4/2001 Wang D21/433
D445,845 S 7/2001 Tse
D449,861 S 10/2001 Chiappetta
D468,369 S 1/2003 Chiappetta et al.
D640,755 S * 6/2011 Herlitz et al. D21/433

* cited by examiner

Primary Examiner — Cynthia M Chin

(74) *Attorney, Agent, or Firm* — McDermott Will & Emery LLP

(57) **CLAIM**

We claim the ornamental design for a ride on vehicle, as shown and described.

DESCRIPTION

FIG. 1 is a front right side perspective view of a ride on vehicle according to the new design.

FIG. 2 is a left rear side perspective view of the ride on vehicle shown in FIG. 1.

FIG. 3 is a right side view of the ride on vehicle shown in FIG. 1.

FIG. 4 is a left side view of the ride on vehicle shown in FIG. 1.

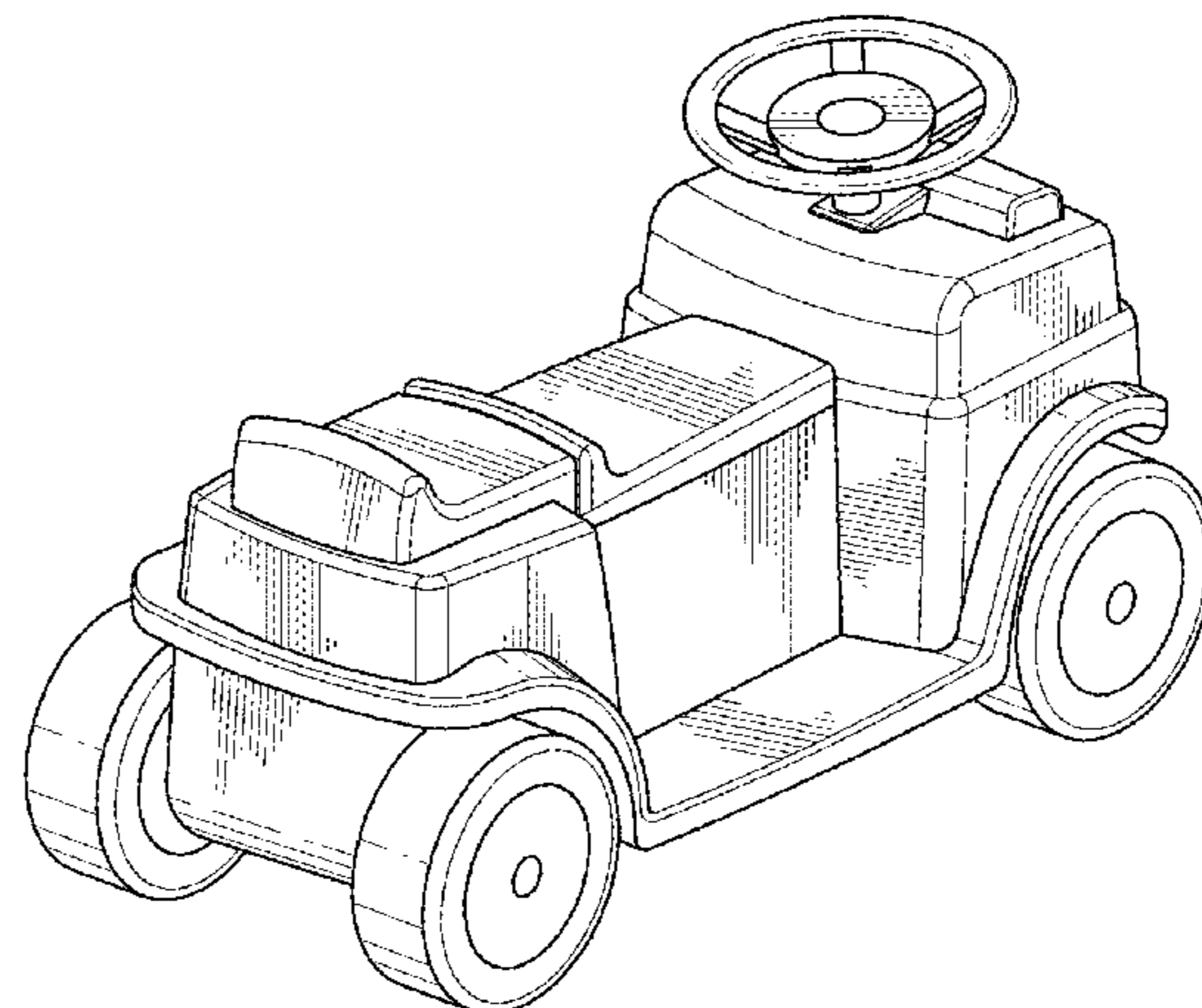
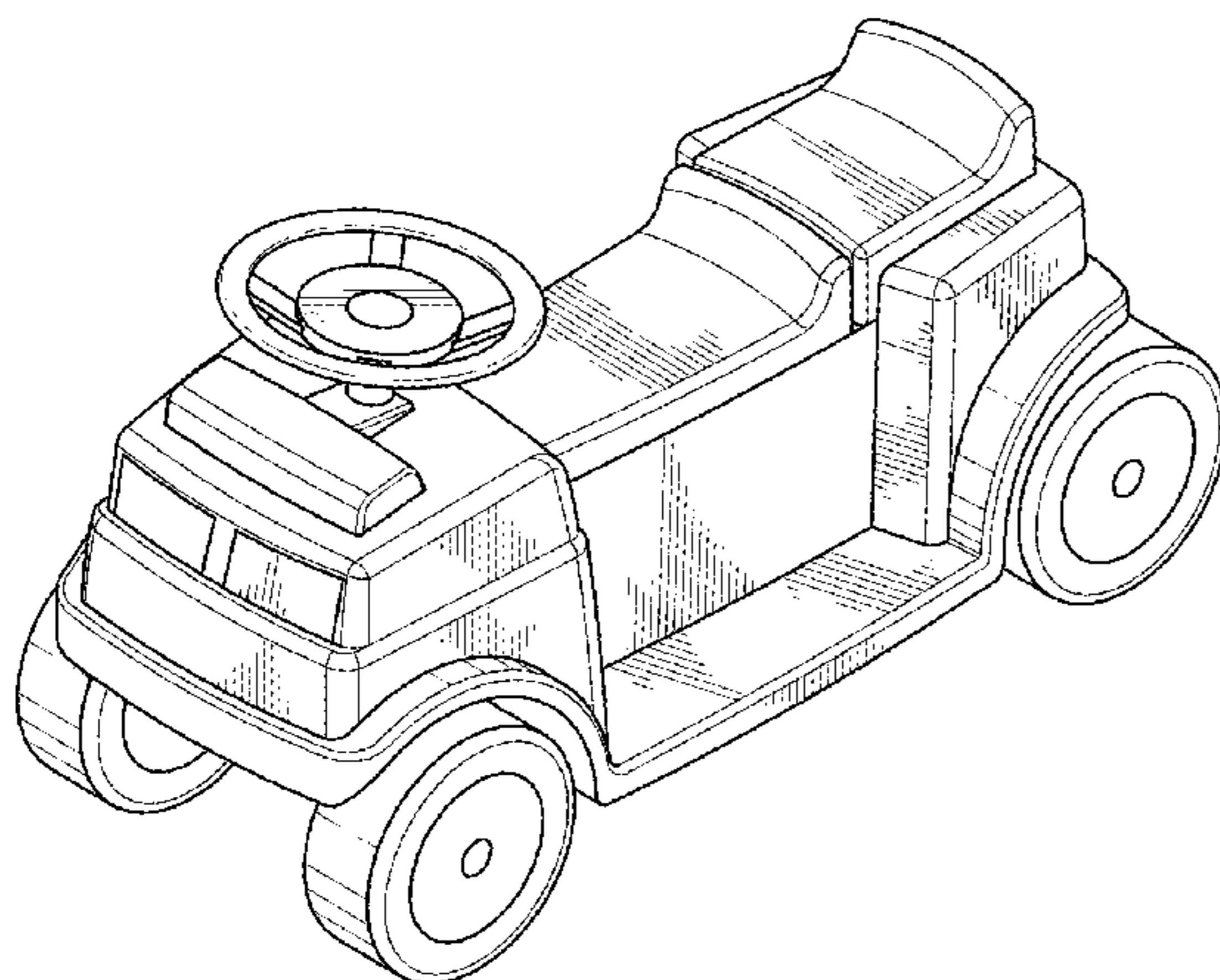
FIG. 5 is a top plan view of the ride on vehicle shown in FIG. 1.

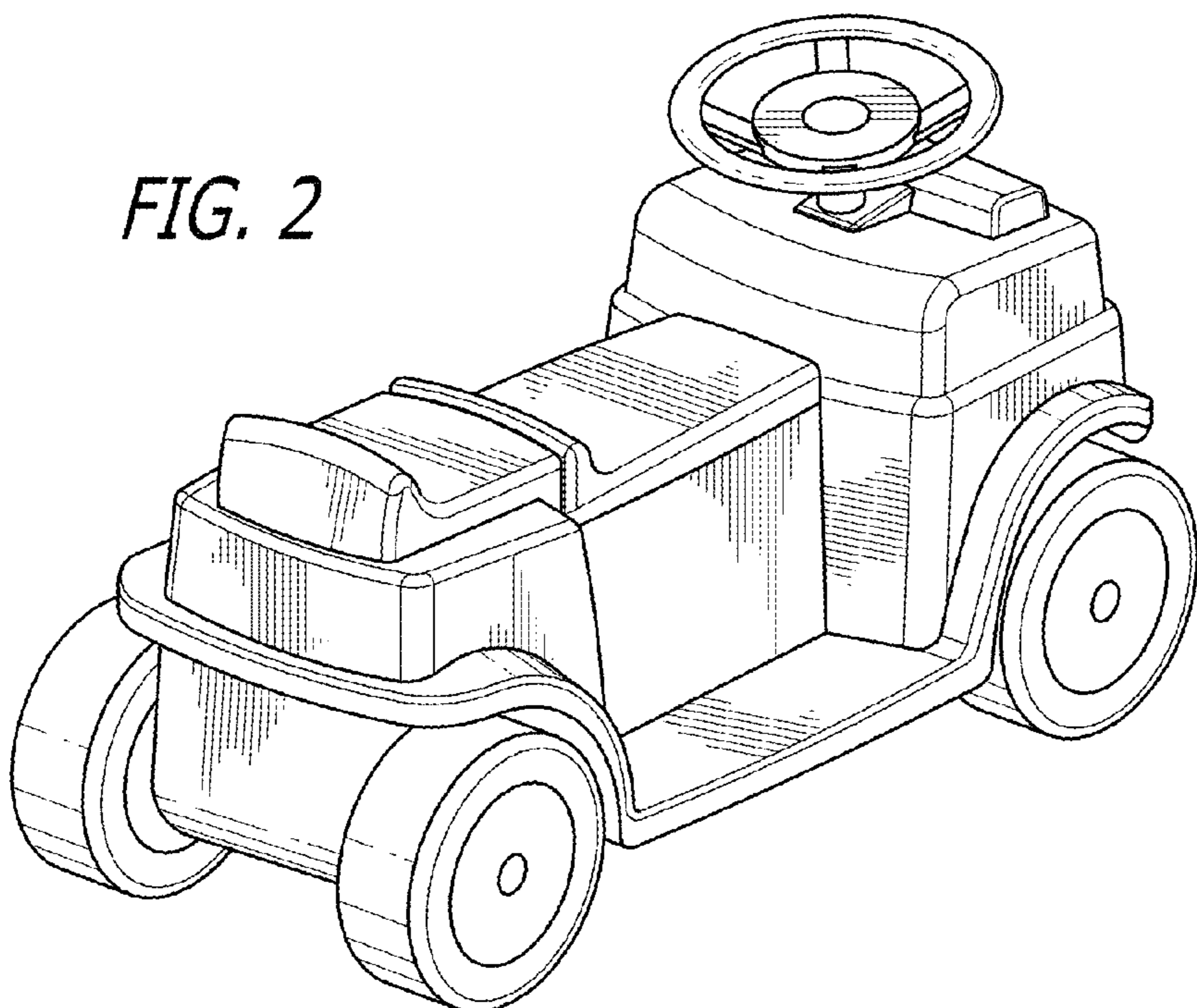
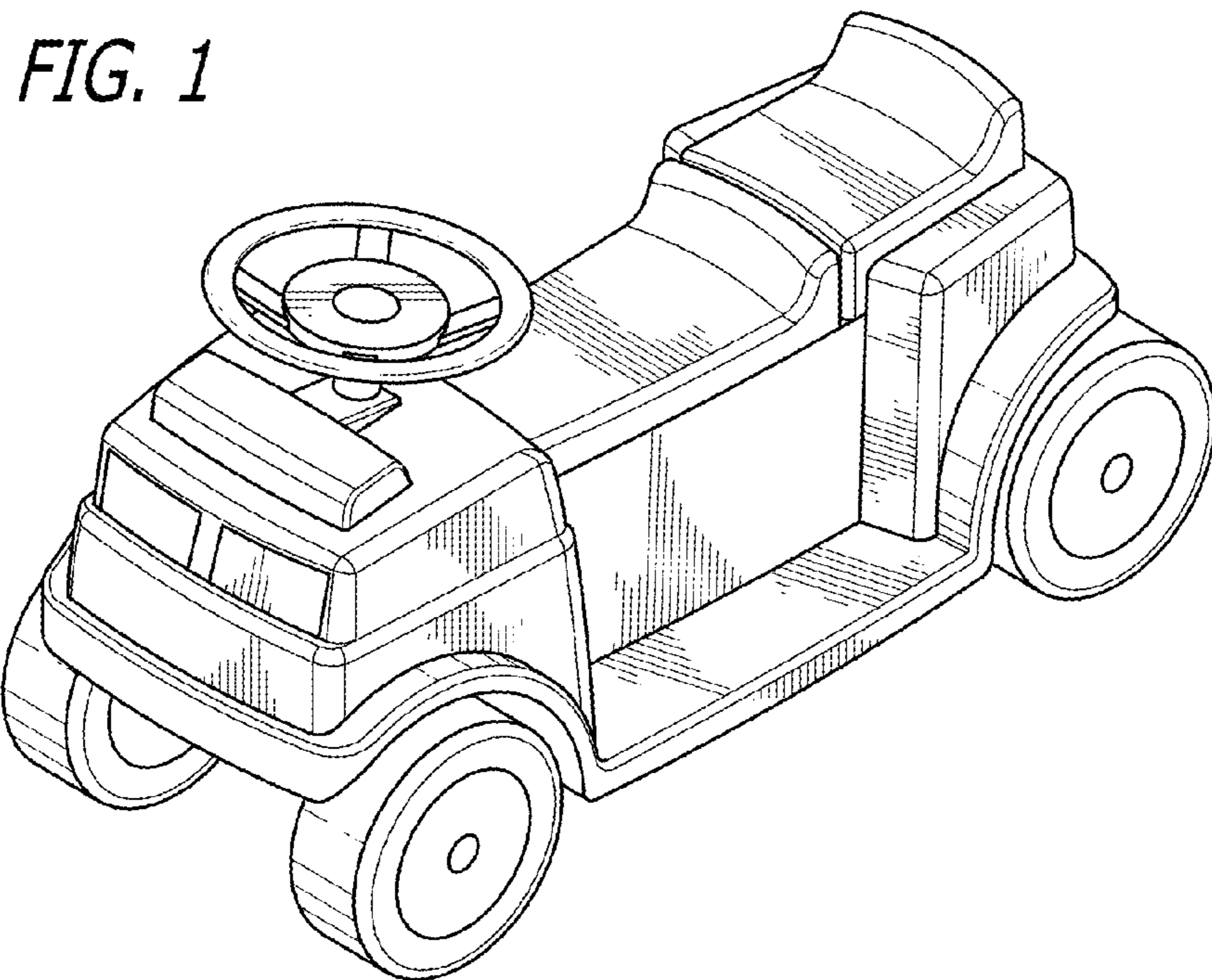
FIG. 6 is a bottom plan view of the ride on vehicle shown in FIG. 1.

FIG. 7 is a front view of the ride on vehicle shown in FIG. 1; and,

FIG. 8 is a rear view of the ride on vehicle shown in FIG. 1. Features shown in broken lines in the drawings are not part of the claim.

1 Claim, 4 Drawing Sheets





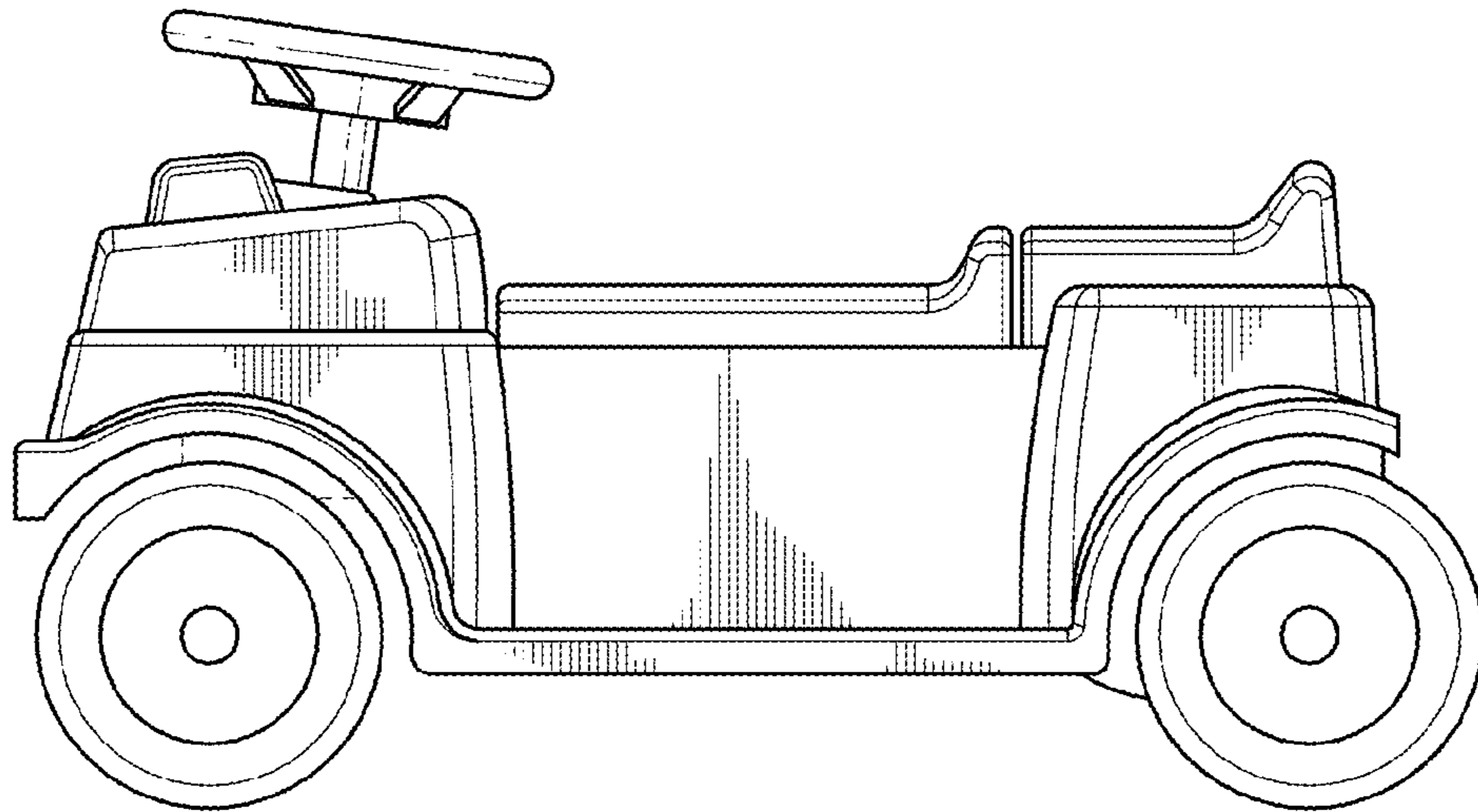


FIG. 3

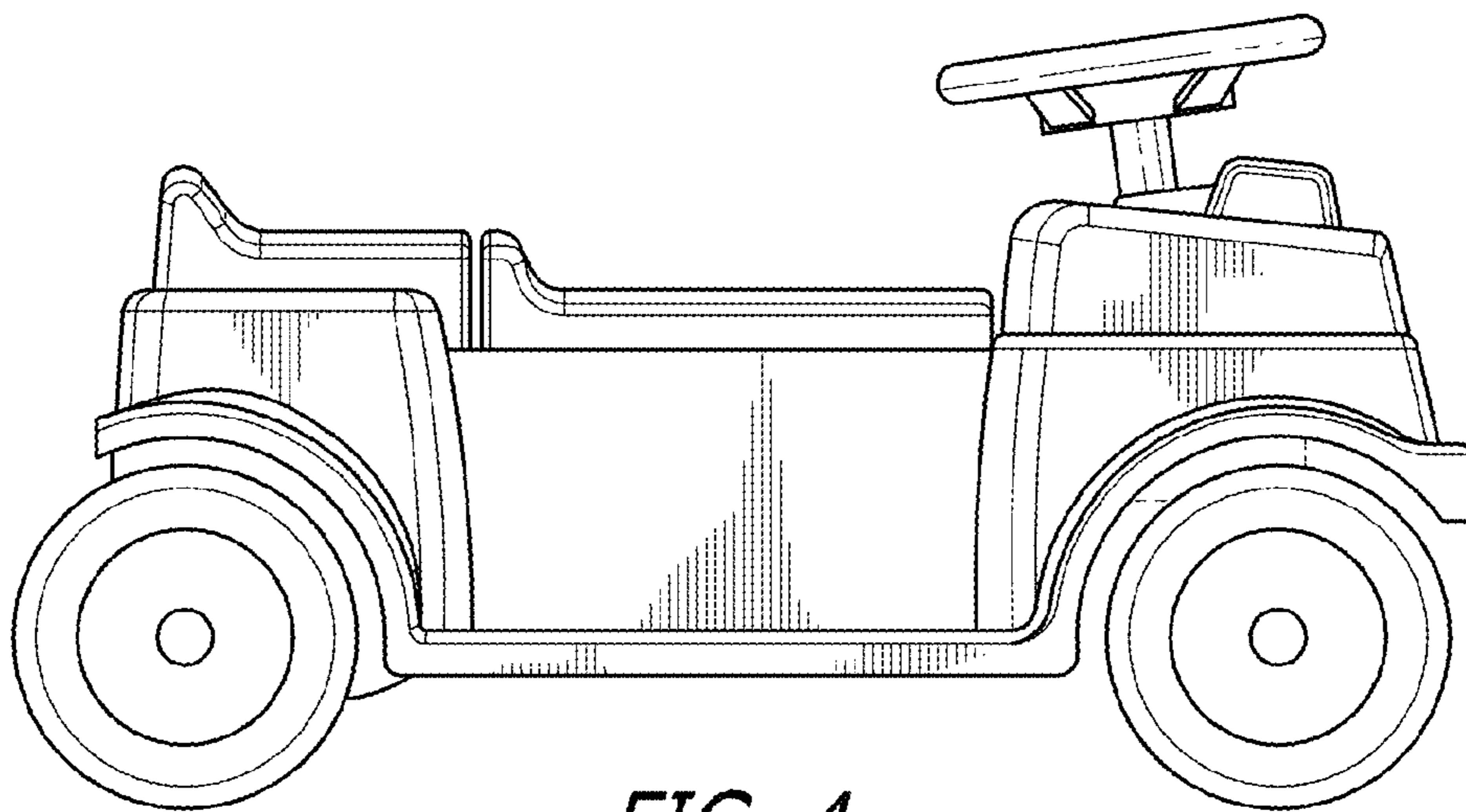


FIG. 4

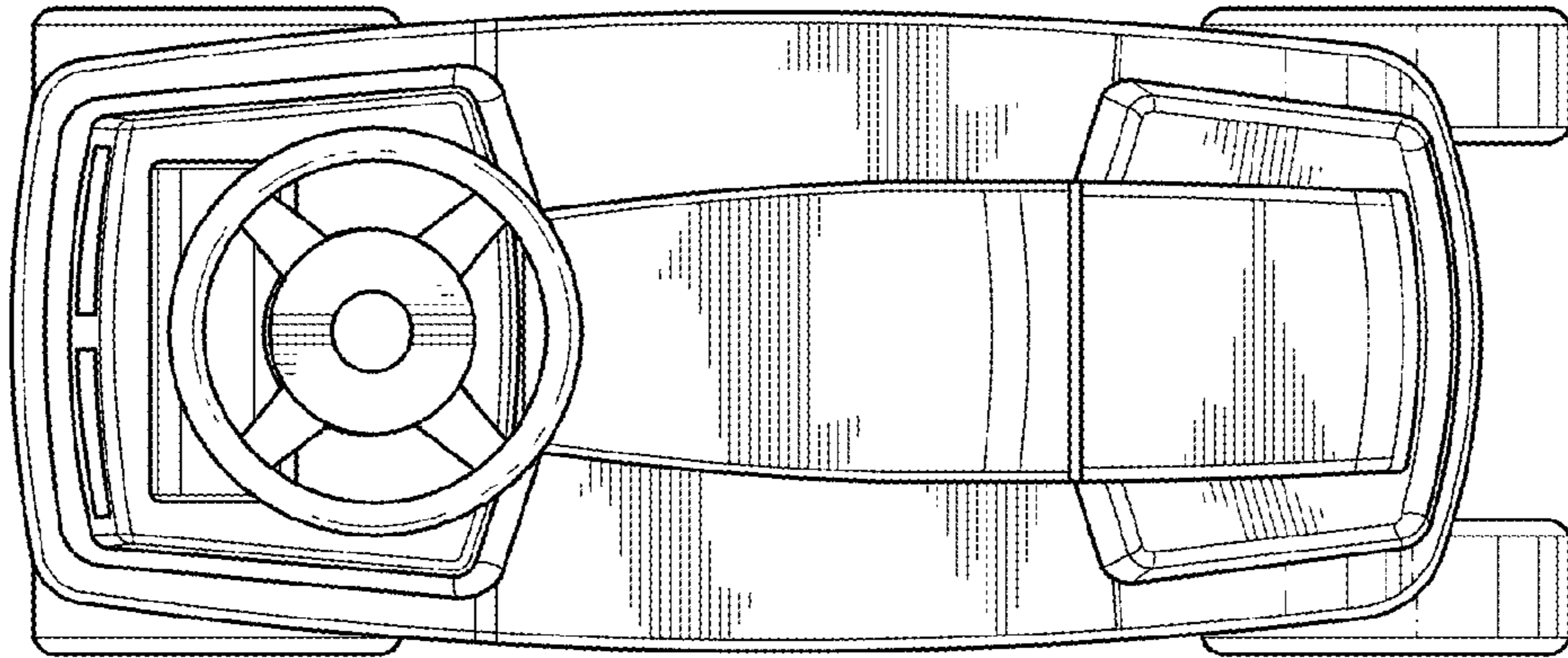


FIG. 5

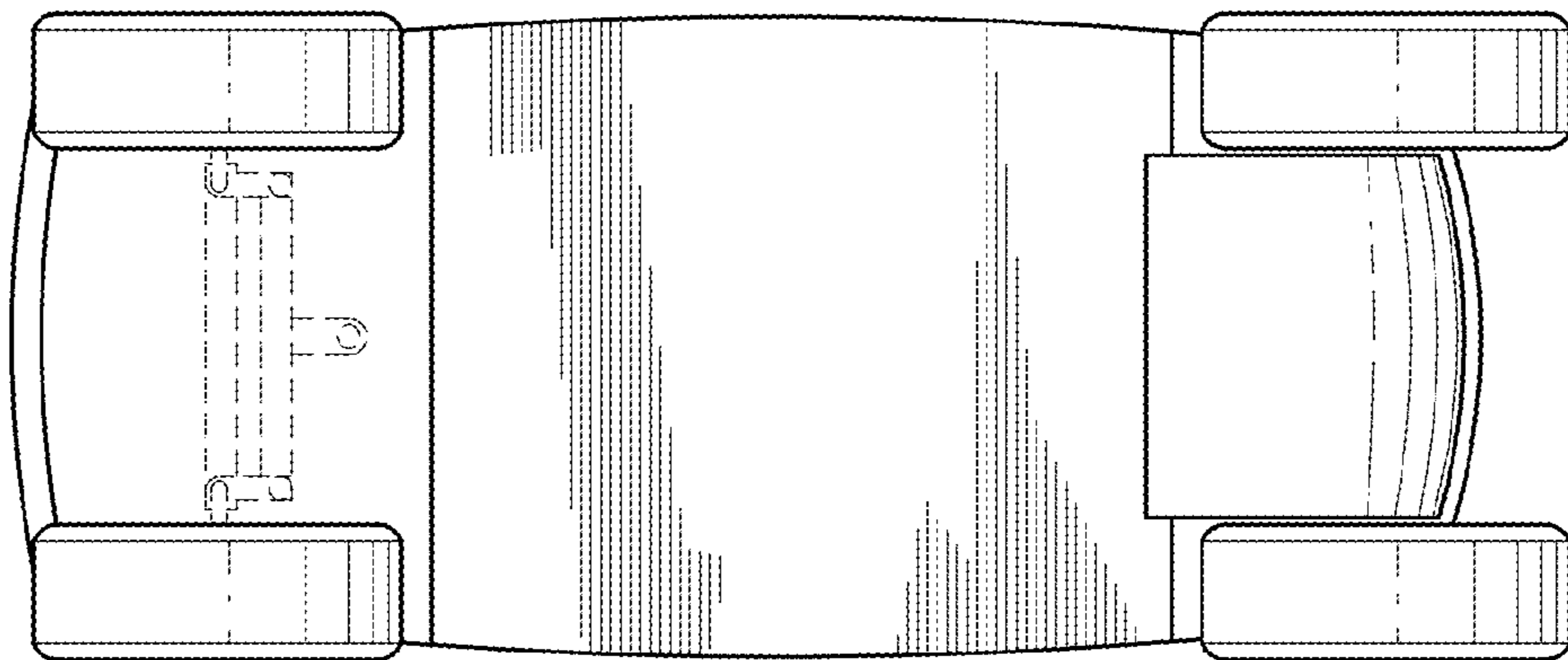


FIG. 6

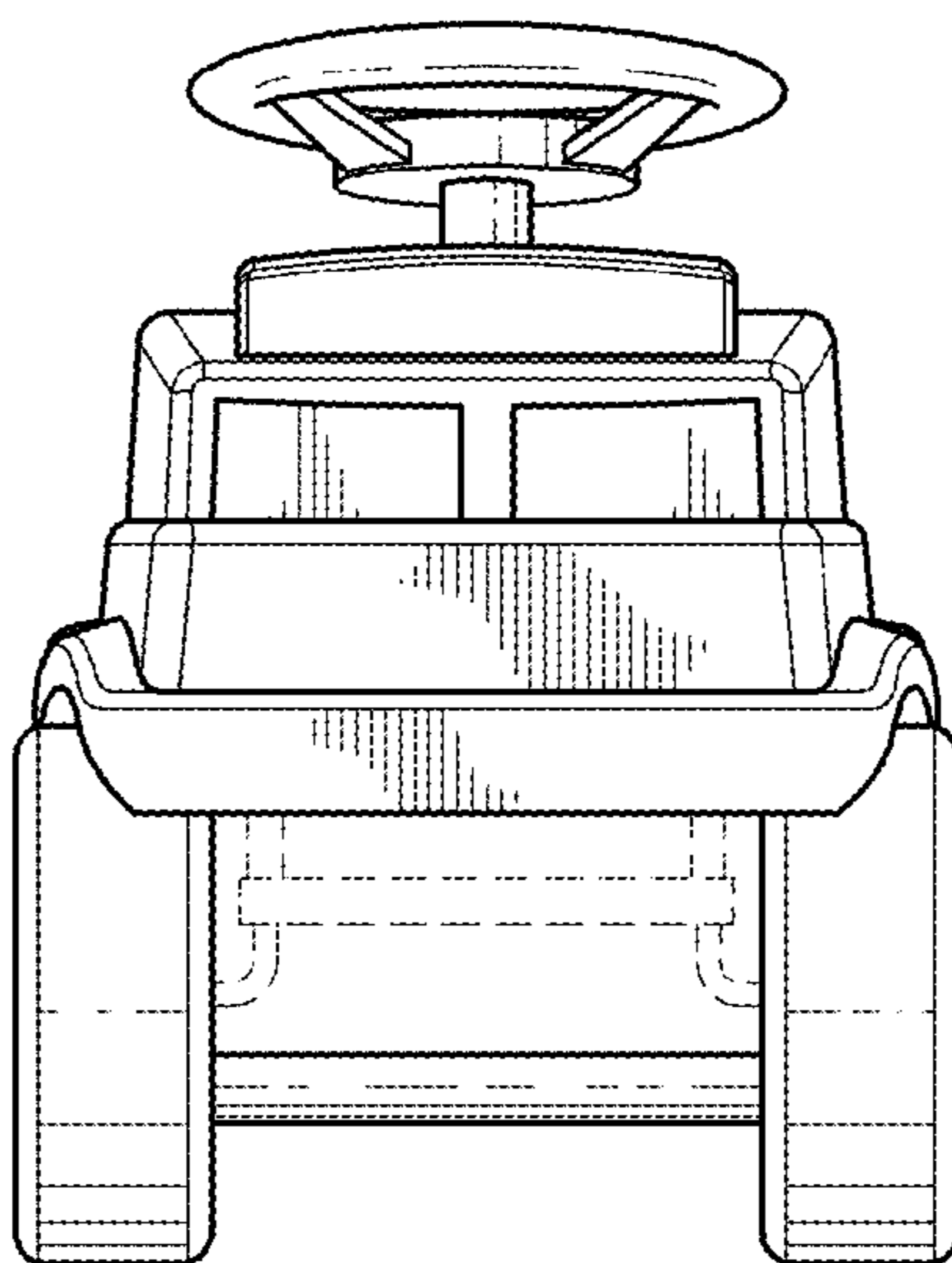


FIG. 7

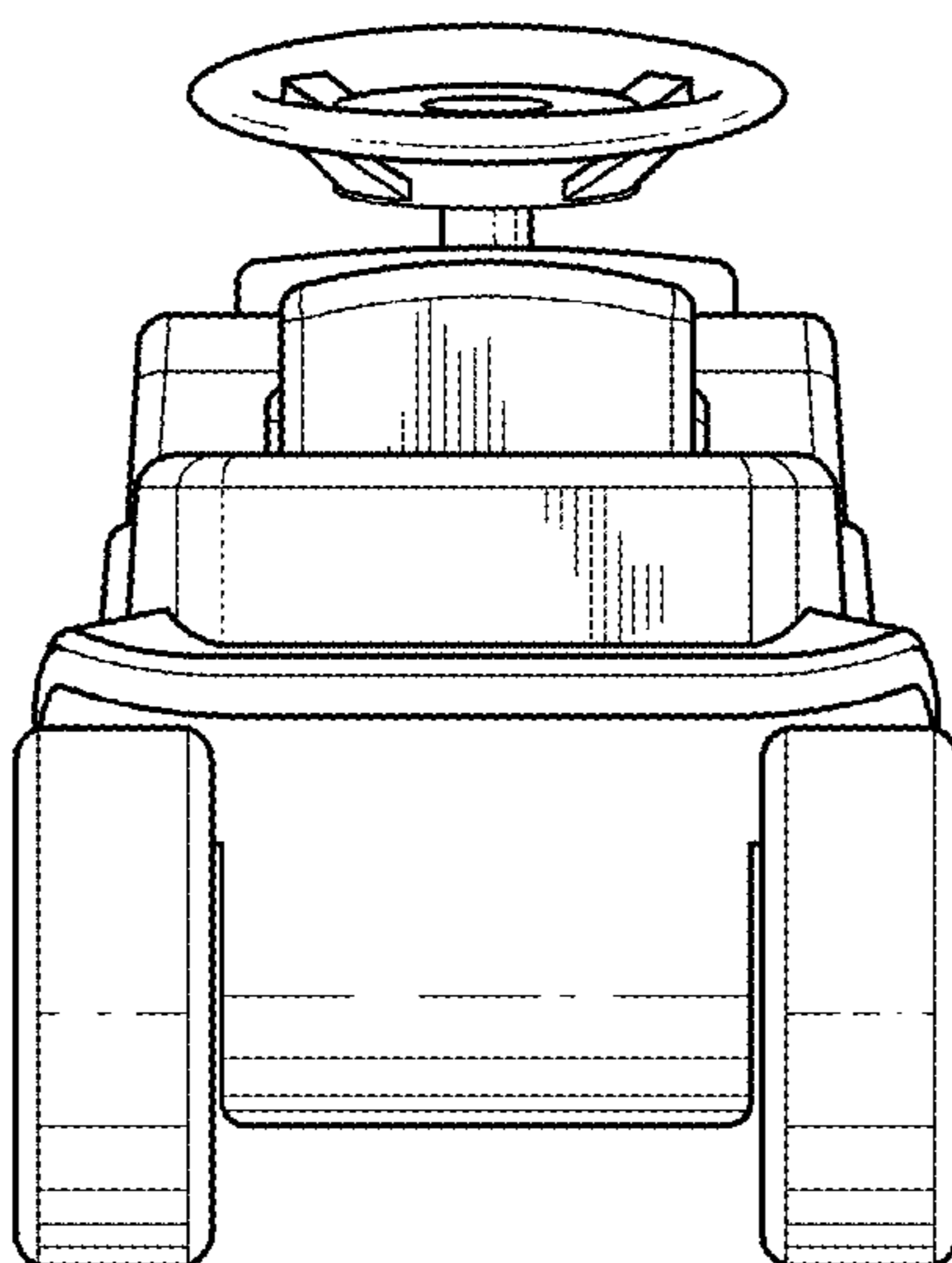


FIG. 8