



US00D719613S

(12) **United States Design Patent**
Rodriguez et al.

(10) **Patent No.:** **US D719,613 S**

(45) **Date of Patent:** **** Dec. 16, 2014**

(54) **APPARATUS FOR DISC DART GAME**

(71) Applicants: **David Rodriguez**, San Diego, CA (US);
Will Donohoo, San Diego, CA (US)

(72) Inventors: **David Rodriguez**, San Diego, CA (US);
Will Donohoo, San Diego, CA (US)

(**) Term: **14 Years**

(21) Appl. No.: **29/468,415**

(22) Filed: **Sep. 30, 2013**

(51) **LOC (10) Cl.** **21-01**

(52) **U.S. Cl.**
USPC **D21/308**

(58) **Field of Classification Search**
CPC A63F 9/24; A63F 13/00; A63F 3/00;
A63F 3/00694; A63F 3/00895; F41J 3/00;
F41J 1/00; F41J 1/01
USPC D21/307, 308, 334, 338, 348, 362, 387;
273/317, 348, 358, 370, 407, 409, 236,
273/237, 239, 259, 287
See application file for complete search history.

(56) **References Cited**

U.S. PATENT DOCUMENTS

D354,314 S * 1/1995 Steininger D21/308
D382,600 S * 8/1997 Wu D21/307

D400,932 S * 11/1998 Yiu D21/307
D403,361 S * 12/1998 Huang D21/307
6,089,571 A * 7/2000 Cho 273/371
D491,612 S * 6/2004 Tournillon D21/308
7,275,747 B1 * 10/2007 Tanita 273/408
D593,478 S * 6/2009 Tirado D12/211
7,866,668 B2 * 1/2011 Huang 273/376
7,905,488 B2 * 3/2011 Fulgham 273/317

* cited by examiner

Primary Examiner — Prabhakar Deshmukh

(74) *Attorney, Agent, or Firm* — Coastal Patent Law Group,
P.C.

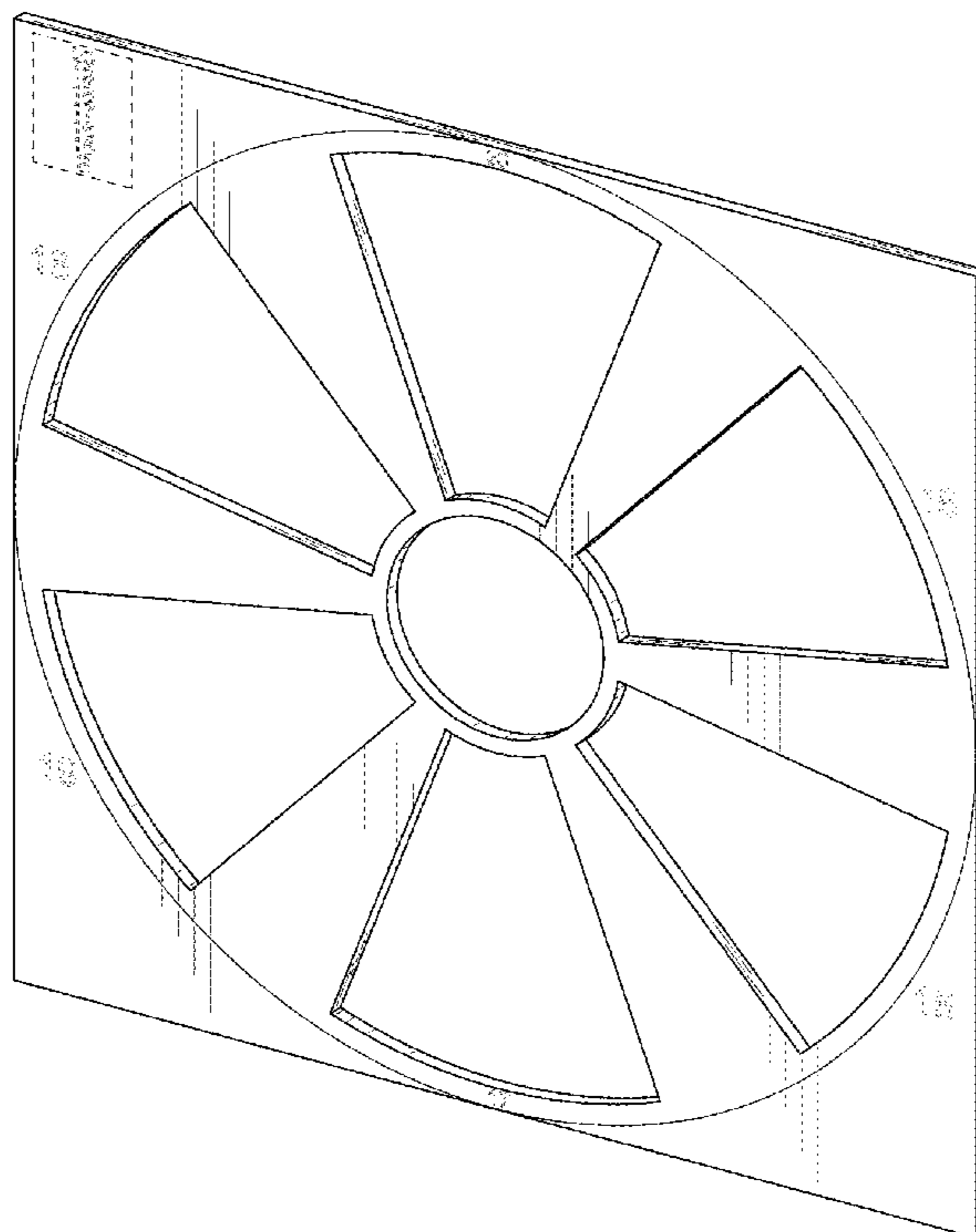
(57) **CLAIM**

The ornamental design for an apparatus for disc darts game,
as shown and described.

DESCRIPTION

FIG. 1 is a front perspective view of an apparatus for disc darts
game showing our new design;
FIG. 2 is a front elevation thereof;
FIG. 3 is a rear elevation thereof;
FIG. 4 is a bottom plan view, the top plan view being a mirror
image thereof; and,
FIG. 5 is a left side elevation thereof, the right side elevation
being a mirror image thereof.

1 Claim, 4 Drawing Sheets



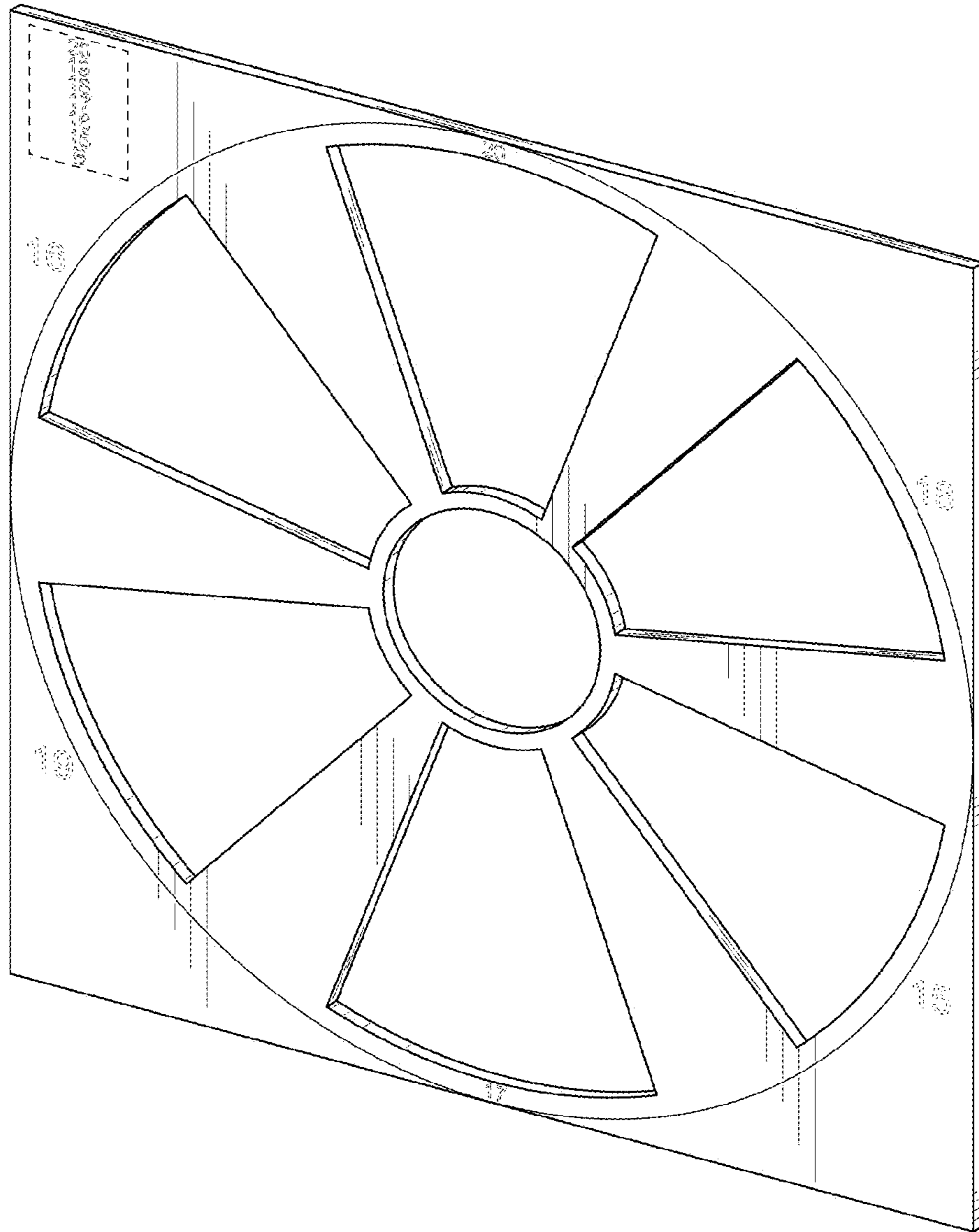


Figure 1

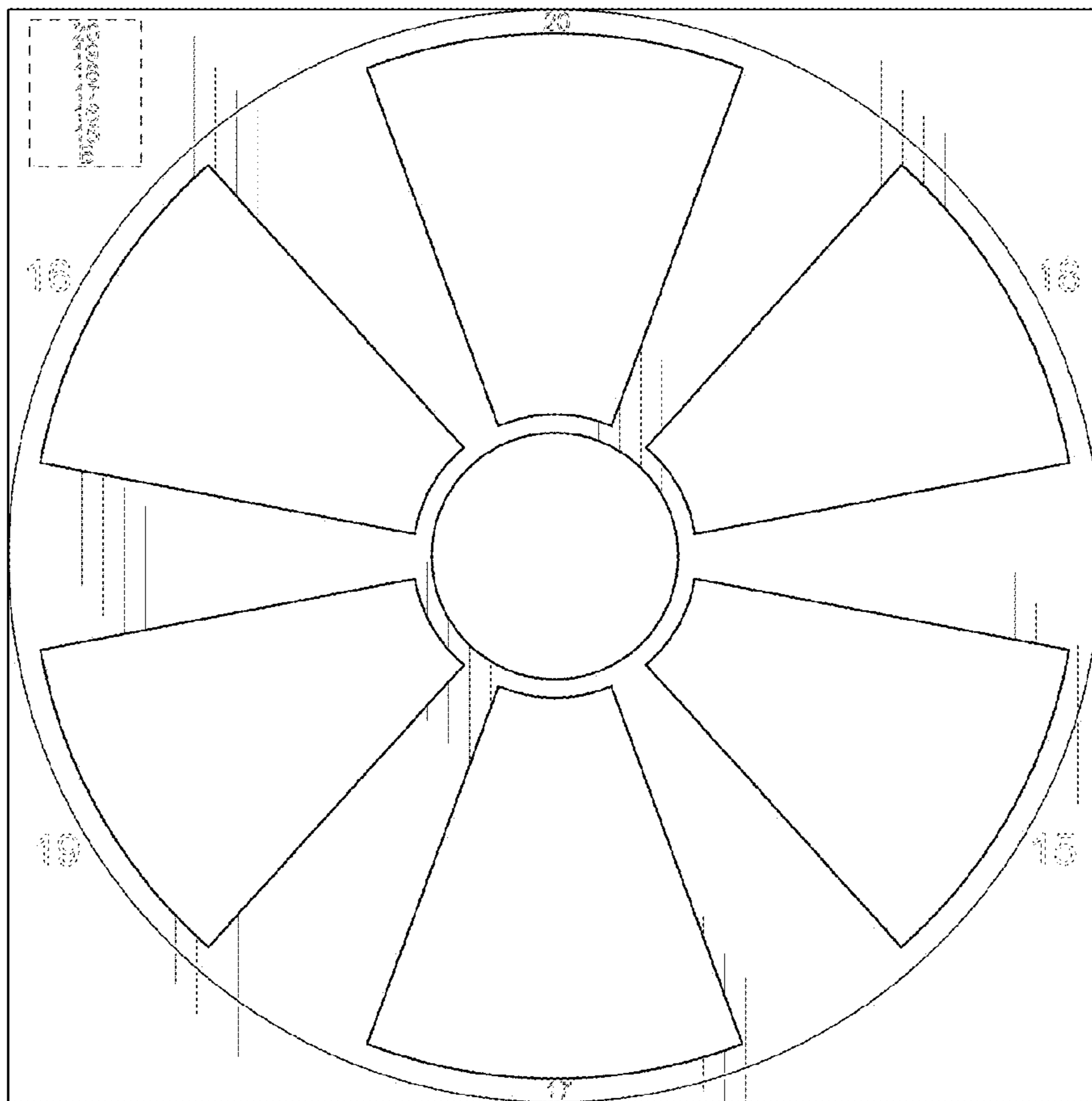


Figure 2

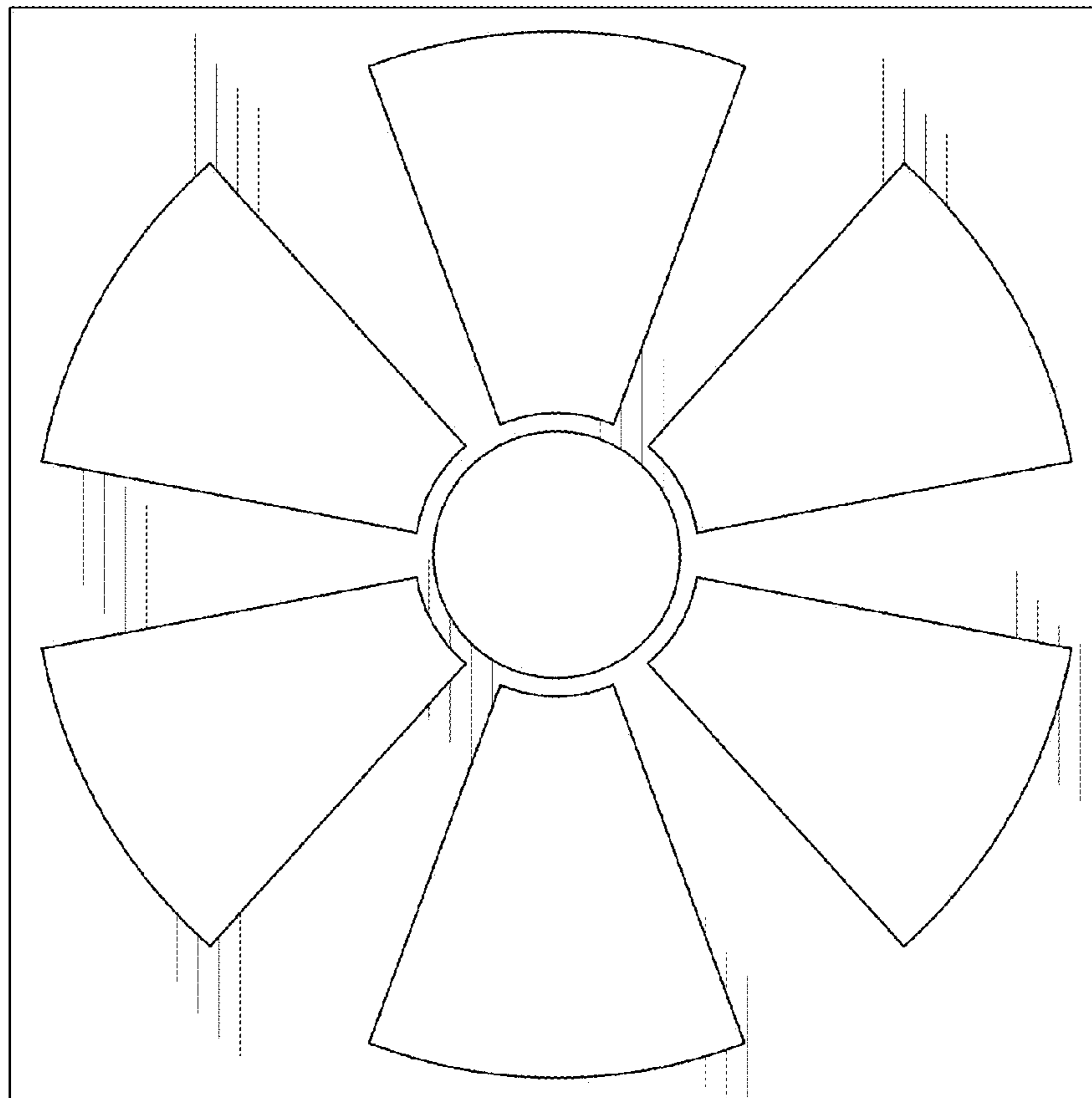


Figure 3

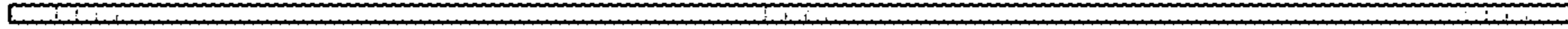


Figure 4

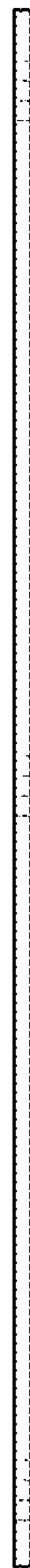


Figure 5