



US00D719612S

(12) **United States Design Patent**
Aleman

(10) **Patent No.:** **US D719,612 S**

(45) **Date of Patent:** **** Dec. 16, 2014**

(54) **FRAME FOR REPLACEABLE SIGNAGE
BOARDS**

(71) Applicant: **Antonio Aleman**, Newmarket (CA)

(72) Inventor: **Antonio Aleman**, Newmarket (CA)

(**) Term: **14 Years**

(21) Appl. No.: **29/434,913**

(22) Filed: **Oct. 18, 2012**

(30) **Foreign Application Priority Data**

Jun. 29, 2012 (CA) 146325

(51) **LOC (10) Cl.** **20-03**

(52) **U.S. Cl.**
USPC **D20/43; D20/41**

(58) **Field of Classification Search**

CPC G09F 1/10; G09F 1/12; G09F 1/14;
G09F 3/08; G09F 3/16; G09F 3/18; G09F
3/20; G09F 3/2001-3/2004; G09F 7/02;
G09F 7/002; G09F 7/04; G09F 7/08; G09F
7/10; G09F 7/18; G09F 7/20; G09F 7/22;
G09F 15/00; G09F 15/006; G09F 15/0012;
G09F 15/0068; G09F 13/04; A47G 1/06;
A47G 1/14
USPC D20/10, 19, 39, 41, 43, 44, 99; D6/300,
D6/301, 332; 40/489, 490, 573, 575, 576,
40/592, 605, 606.01, 606.03, 606.14,
40/606.19, 607.01, 607.04, 607.1, 611.04,
40/618, 637, 642.02, 644, 645, 647,
40/649-654, 654.01, 655, 658, 661,
40/661.01, 661.02, 661.04-661.09, 662,
40/666, 765, 766

See application file for complete search history.

(56) **References Cited**

U.S. PATENT DOCUMENTS

758,088	A *	4/1904	Mixer	40/611.04
3,514,886	A *	6/1970	Drakard	40/766
3,924,344	A *	12/1975	Davis	40/592
D307,604	S *	5/1990	Banniza et al.	D20/10
D310,388	S *	9/1990	Crawford et al.	D20/10
D350,157	S *	8/1994	Hart	D20/43
5,347,736	A *	9/1994	Kanigan	40/576
6,009,651	A *	1/2000	Current	40/605
D420,223	S *	2/2000	Chipman et al.	D6/332
D582,485	S *	12/2008	Glass et al.	D20/43
2006/0143960	A1 *	7/2006	Gnas	40/607.01

* cited by examiner

Primary Examiner — Mary Ann Calabrese

(57) **CLAIM**

I claim the ornamental design for a frame for replaceable signage boards, as shown and as described.

DESCRIPTION

FIG. 1—shows a perspective front, top and first side view of a frame for replaceable signage boards showing the design applied thereto;

FIG. 2—shows a front elevational view thereof;

FIG. 3—shows a rear elevational view thereof;

FIG. 4—shows a first side view thereof;

FIG. 5—shows a second side view thereof;

FIG. 6—shows a top plan view thereof;

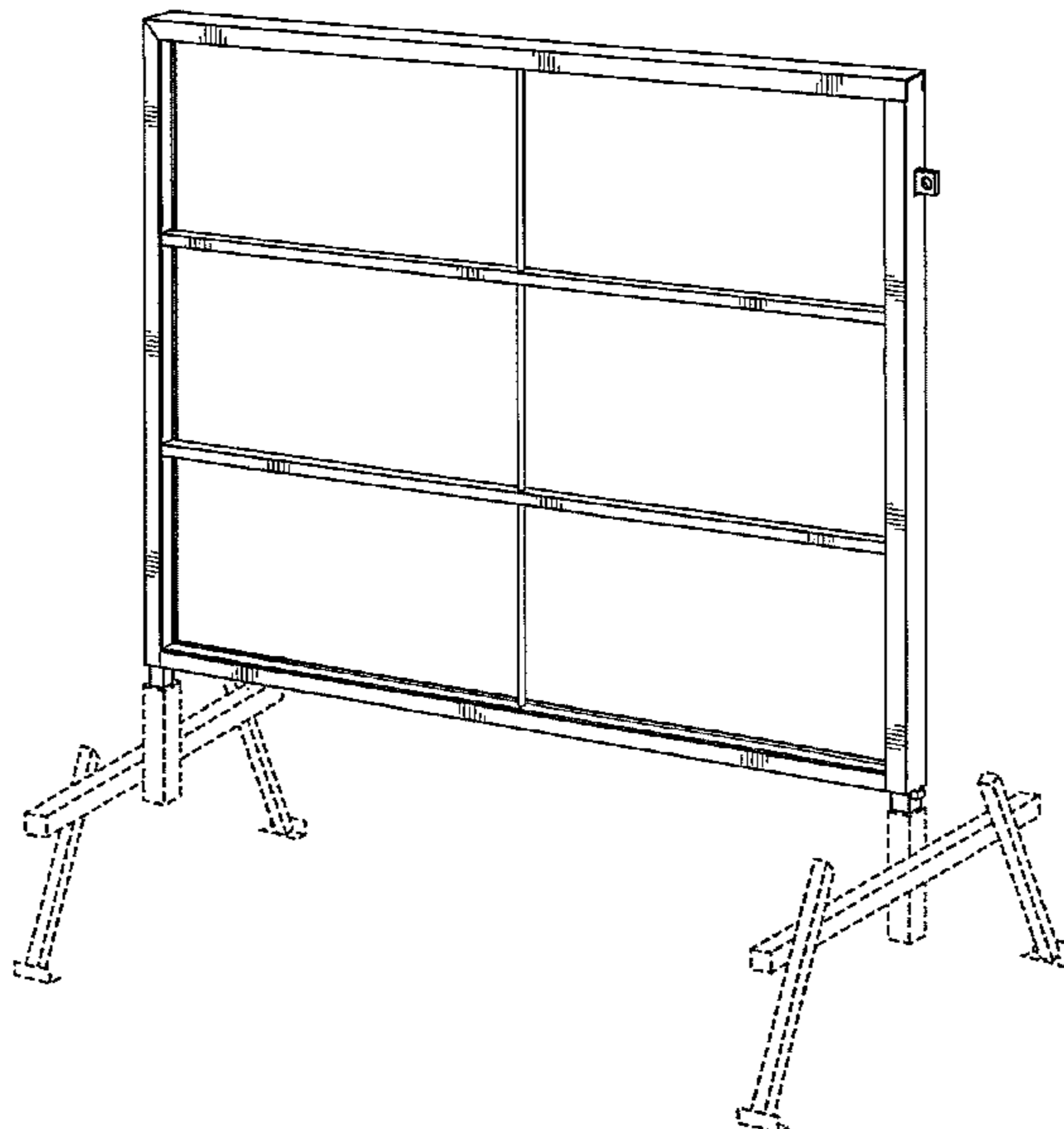
FIG. 7—shows a bottom plan view thereof;

FIG. 8—shows a perspective view of the frame for replaceable signage boards in use with a display sign positioned therein for environmental purposes only; and,

FIG. 9—shows a perspective front, top and first side view of a frame for replaceable signage boards showing an alternate embodiment of the design.

The portion of the drawings shown in broken lines does not form part of the design.

1 Claim, 8 Drawing Sheets



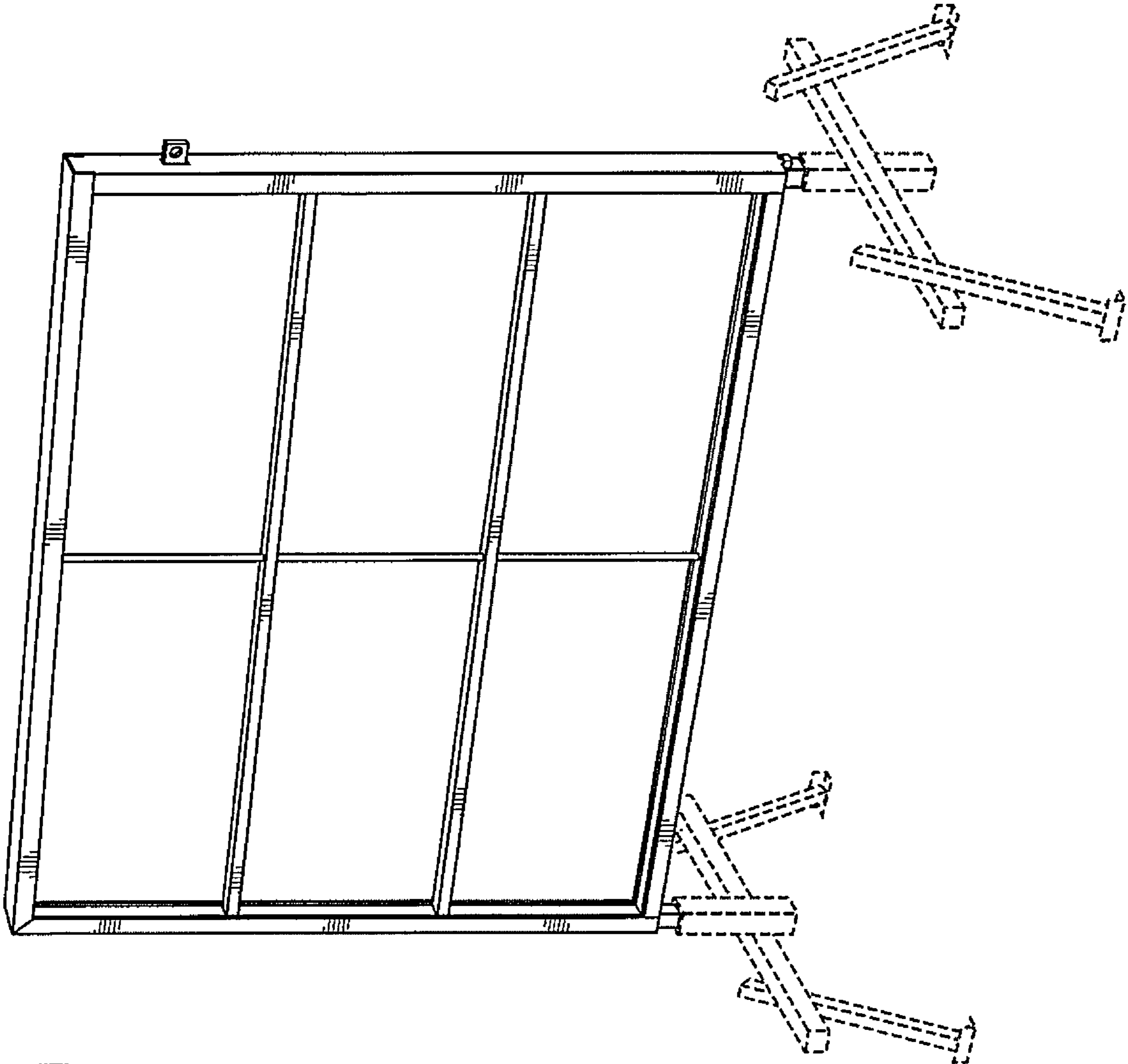


Fig. 1

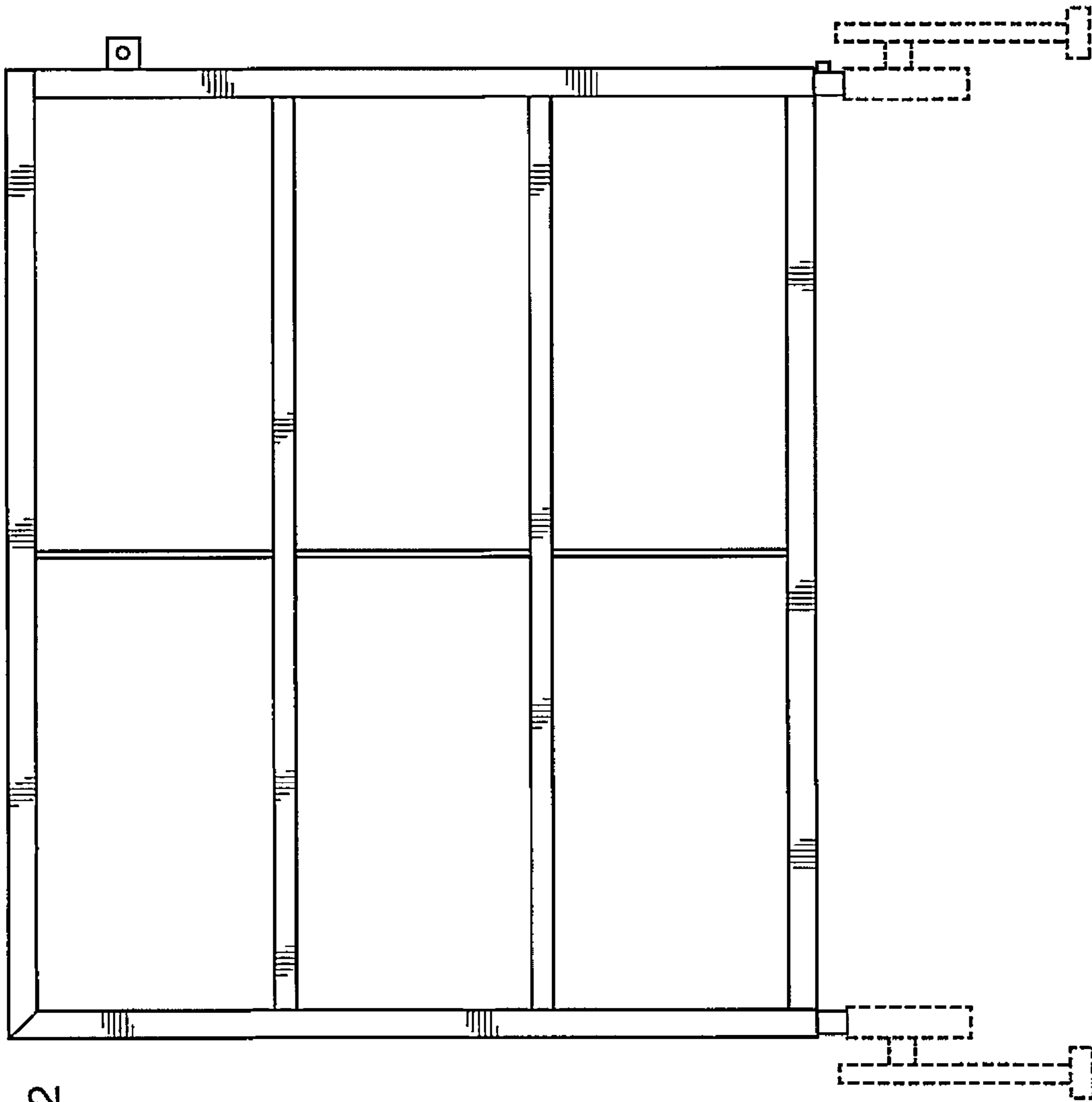


Fig. 2

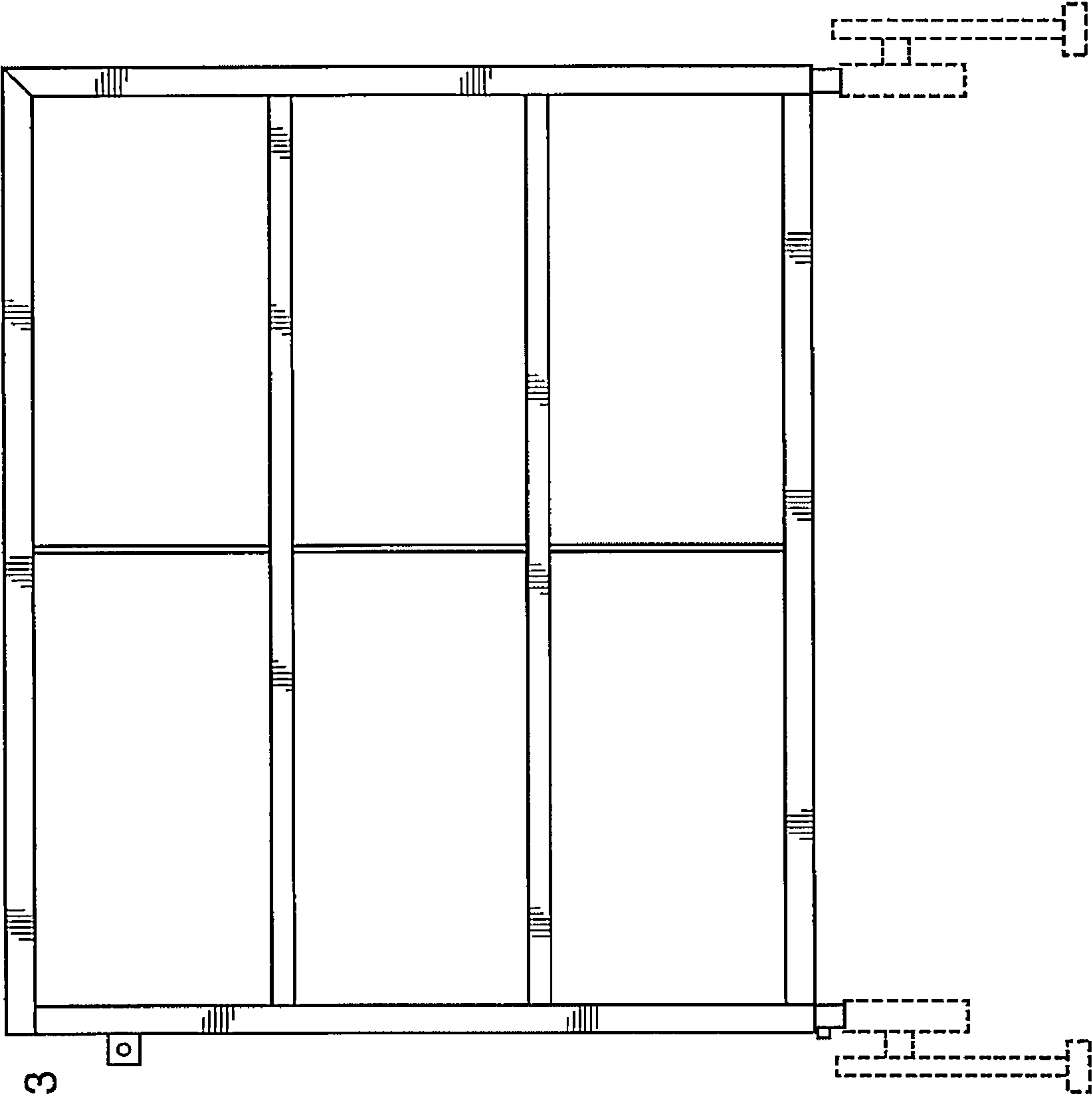


Fig. 3

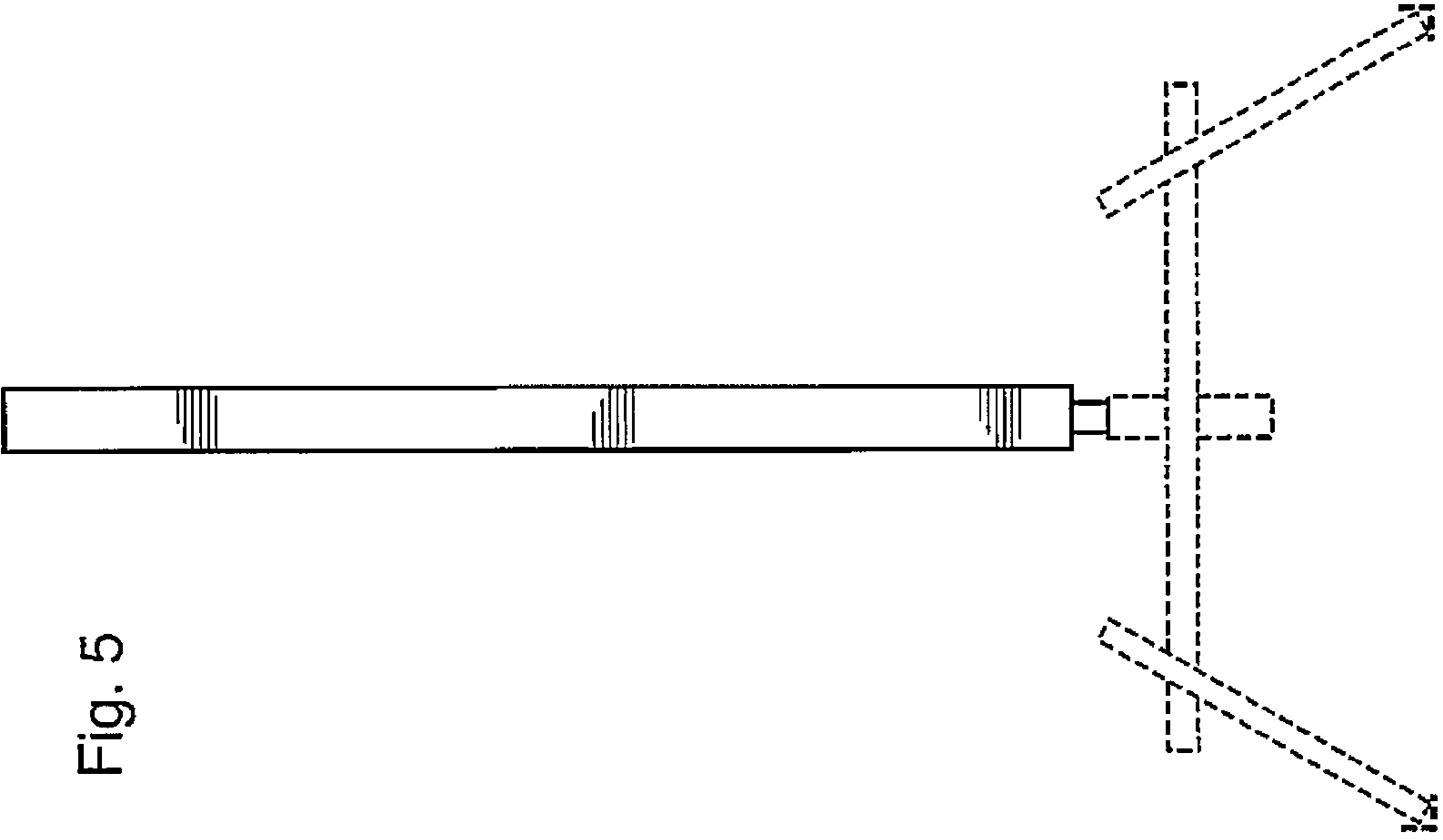


Fig. 5

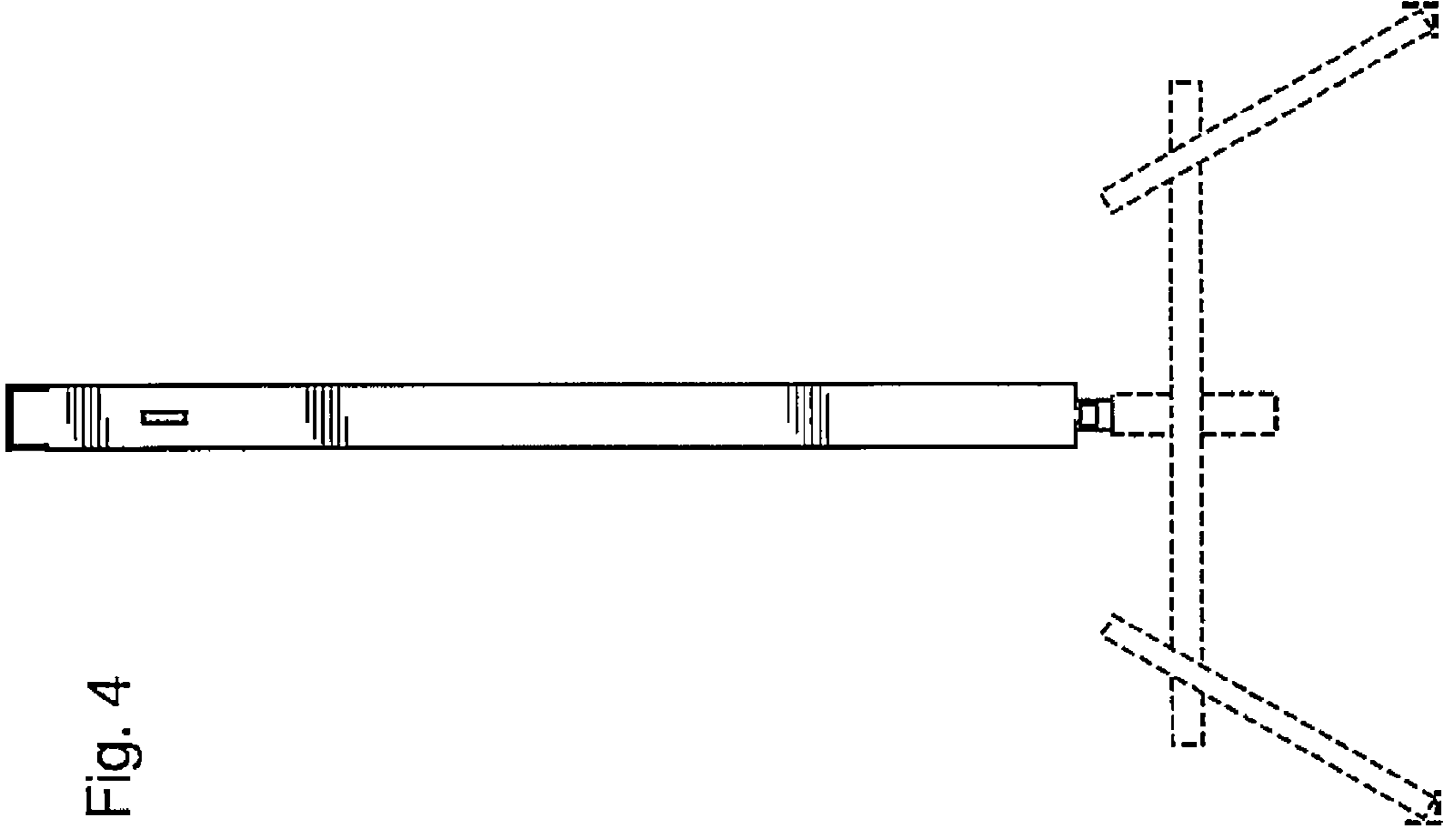


Fig. 4

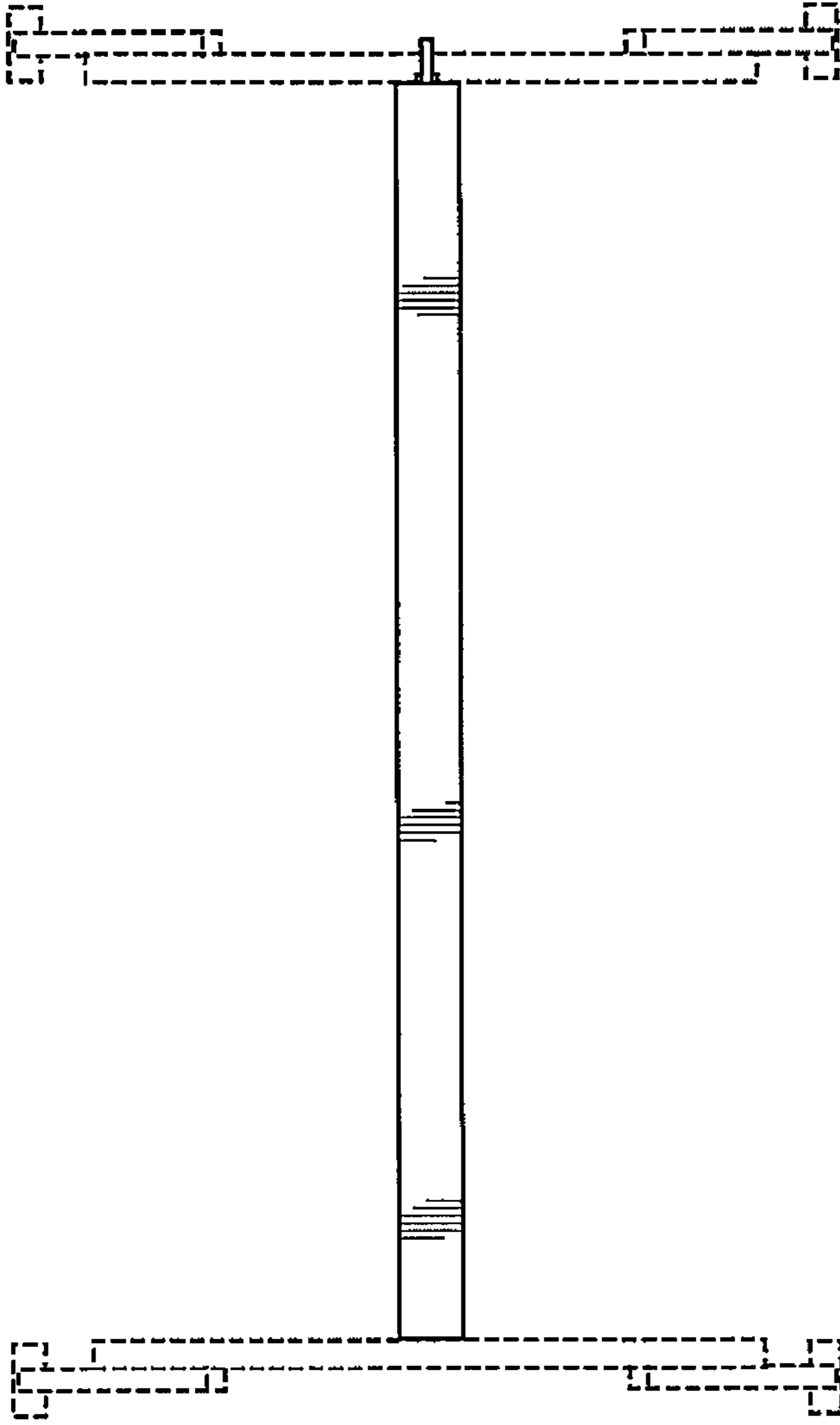


Fig. 6

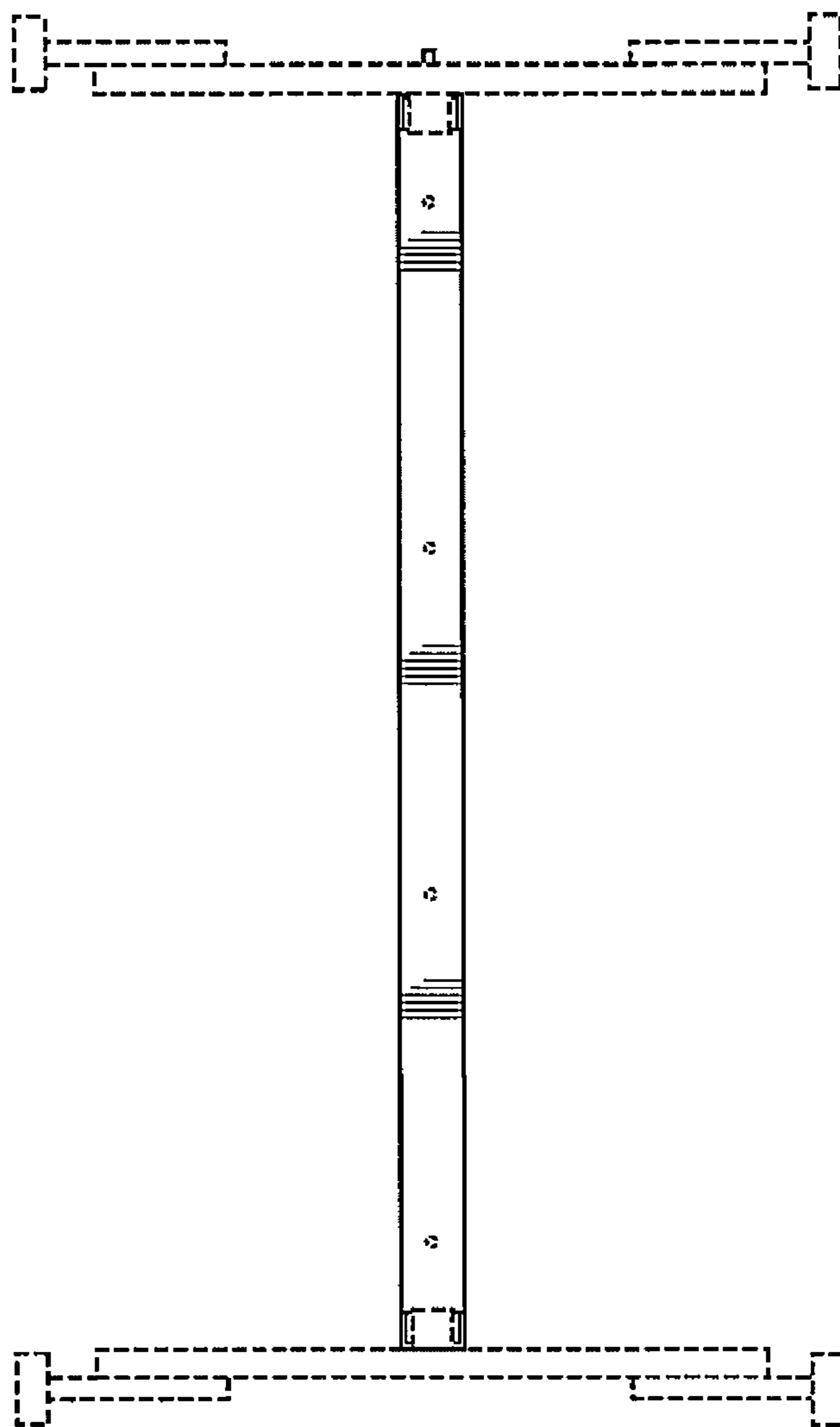


Fig. 7

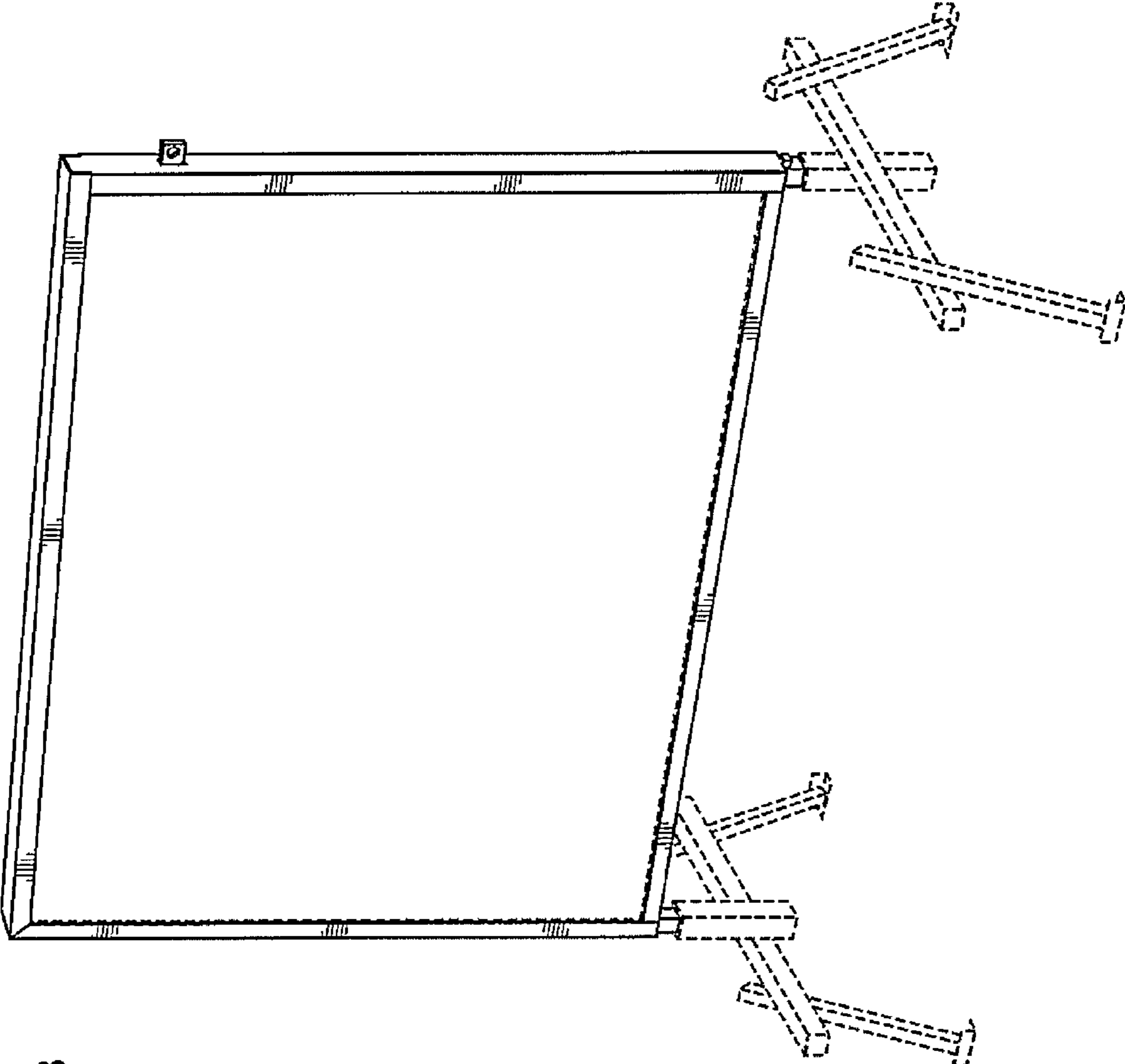


Fig. 8

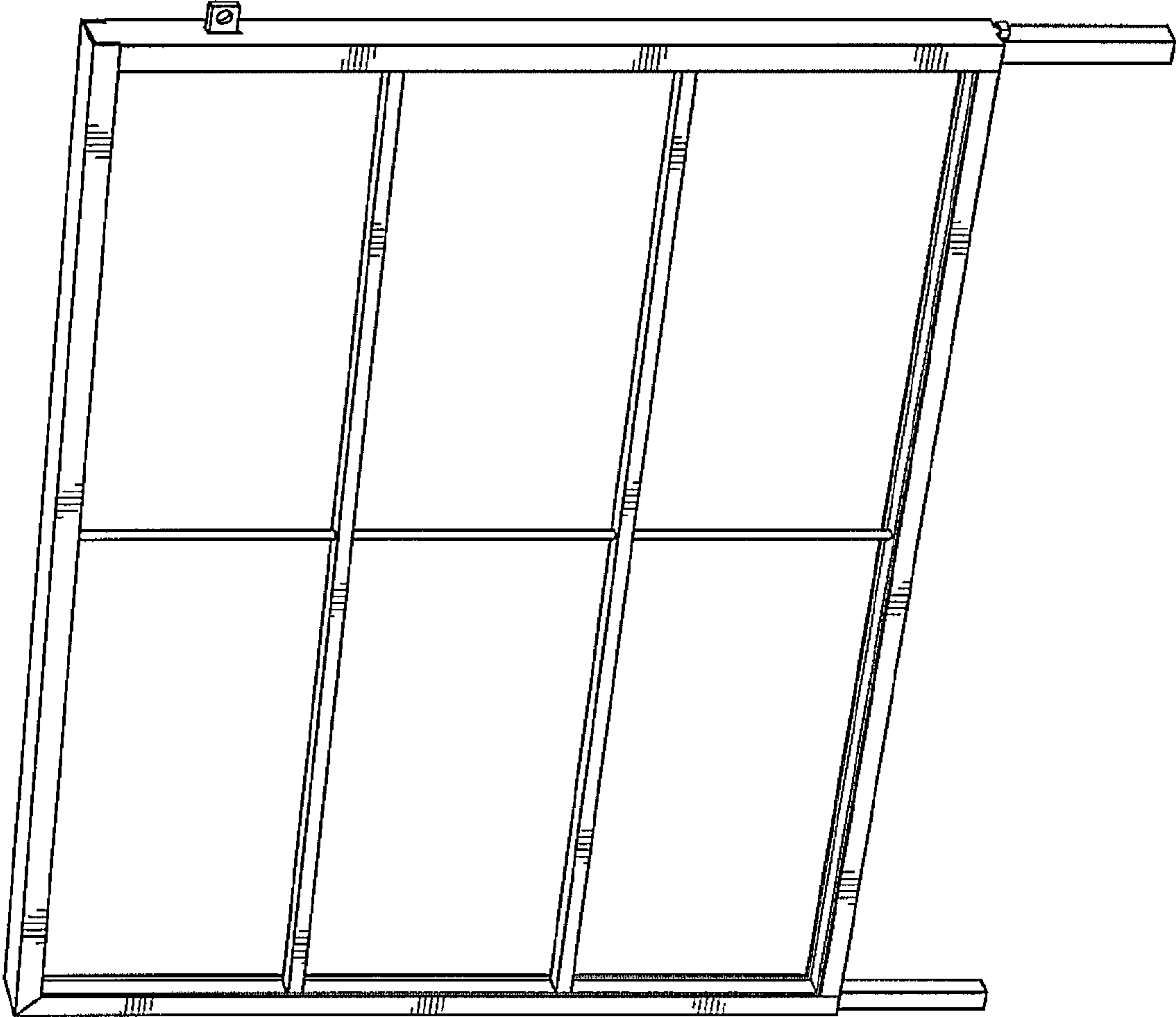


Fig. 9