



US00D719607S

(12) **United States Design Patent**
Lalush et al.

(10) **Patent No.:** **US D719,607 S**

(45) **Date of Patent:** **** Dec. 16, 2014**

(54) **EYEWEAR HINGE ASSEMBLY**

(56) **References Cited**

(71) Applicant: **Dioptics Medical Products, Inc.,**
Smithfield, RI (US)

U.S. PATENT DOCUMENTS

(72) Inventors: **David Rocky Lalush,** San Luis Obispo,
CA (US); **Eric Vincent Rhea,** Arroyo
Grande, CA (US)

D130,690	S	*	12/1941	Bouchard	D16/332
D219,309	S	*	11/1970	Castor	D16/332
3,584,939	A	*	6/1971	Olson et al.	351/132
4,405,214	A	*	9/1983	Bolle	351/88
D373,782	S	*	9/1996	Shelton	D16/332
D375,971	S	*	11/1996	Peluso et al.	D16/330
5,715,030	A	*	2/1998	Quaresima	351/44
D400,556	S	*	11/1998	Friedman	D16/330
5,880,808	A	*	3/1999	Devercelli	351/132
D411,854	S	*	7/1999	Friedman	D16/330
D480,102	S	*	9/2003	Bertieri	D16/330
D653,279	S	*	1/2012	Stanley et al.	D16/320

(73) Assignee: **Dioptics Medical Products, Inc.,**
Smithfield, RI (US)

(**) Term: **14 Years**

* cited by examiner

(21) Appl. No.: **29/481,644**

Primary Examiner — Robert M Spear

Assistant Examiner — Eliza Bennett-Hattan

(22) Filed: **Feb. 7, 2014**

(74) *Attorney, Agent, or Firm* — Westberg Law Offices

(51) **LOC (10) Cl.** **16-06**

(57) **CLAIM**

(52) **U.S. Cl.**

The ornamental design for an eyewear hinge assembly, as shown and described.

USPC **D16/304**

DESCRIPTION

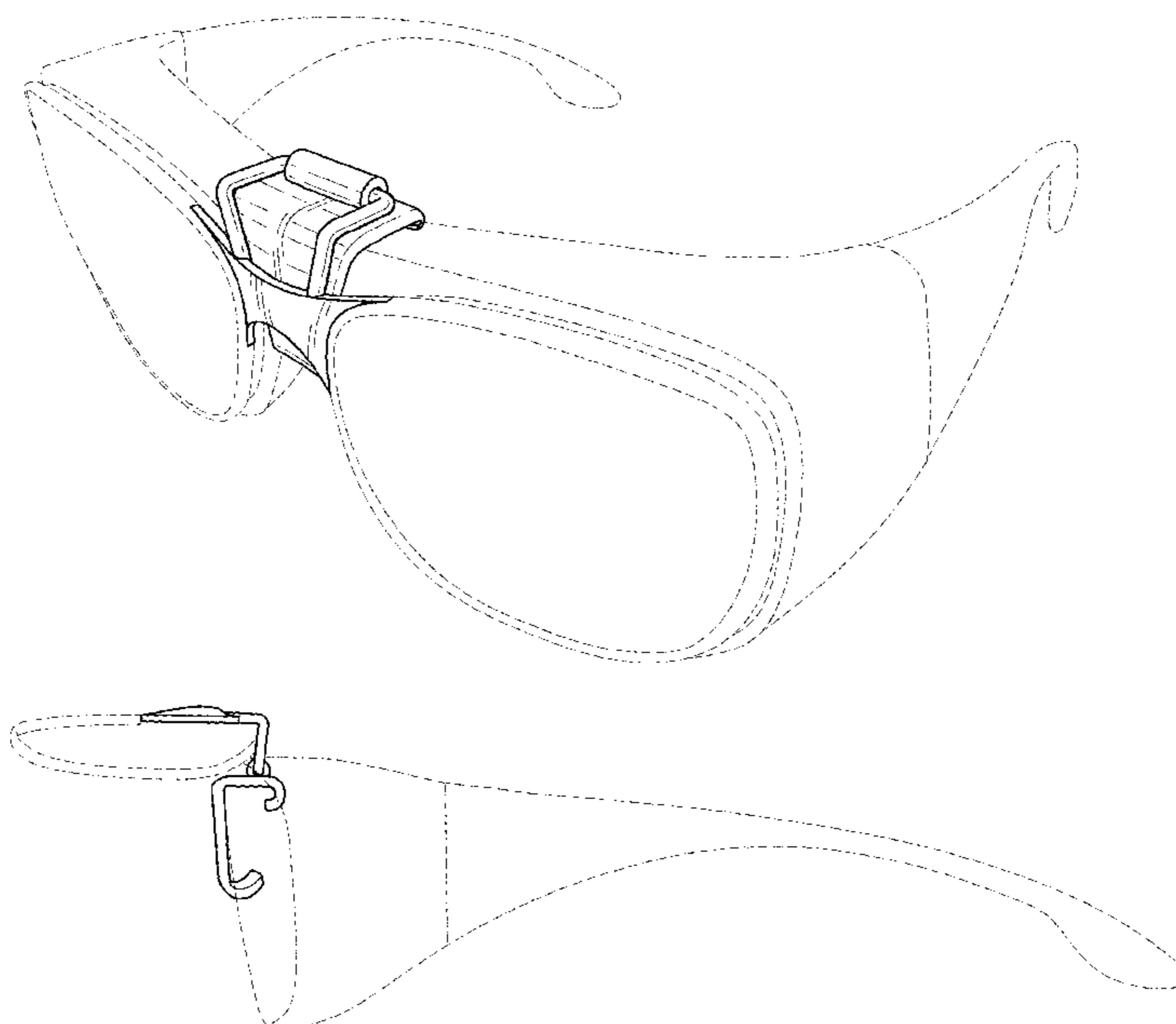
(58) **Field of Classification Search**

USPC D16/320, 333, 332, 325, 326, 328, 321,
D16/318, 310, 309, 306, 300, 335, 334, 136,
D16/330, 336, 338, 340, 341, 339, 327, 323,
D16/303, 329, 301, 337, 342, 316, 304,
D16/311; 24/58; D29/110; 2/12, 442, 445,
2/447, 448; 351/124, 69, 41, 137, 138,
351/139, 131, 132, 136, 65, 76, 78, 79, 87,
351/88; D3/219; D20/22, 40; D24/110.2,
D24/150, 160, 172; D11/133, 95, 33, 208,
D11/82, 49, 57, 58, 239, 224; D5/63, 56;
D8/19

FIG. 1 is a perspective view of the new design;
FIG. 2 is a top view thereof;
FIG. 3 is a bottom view thereof;
FIG. 4 is a front elevation view thereof;
FIG. 5 is a rear elevation view thereof;
FIG. 6 is a right side elevation view thereof, the left side being
a mirror image of the right side;
FIG. 7 is a right side elevation view thereof; and,
FIG. 8 is a right side elevation view of the eyewear hinge
assembly in an alternate configuration of use.
The broken lines showing an eyewear frame and lenses depict
environmental subject matter and form no part of the claimed
design.

See application file for complete search history.

1 Claim, 5 Drawing Sheets



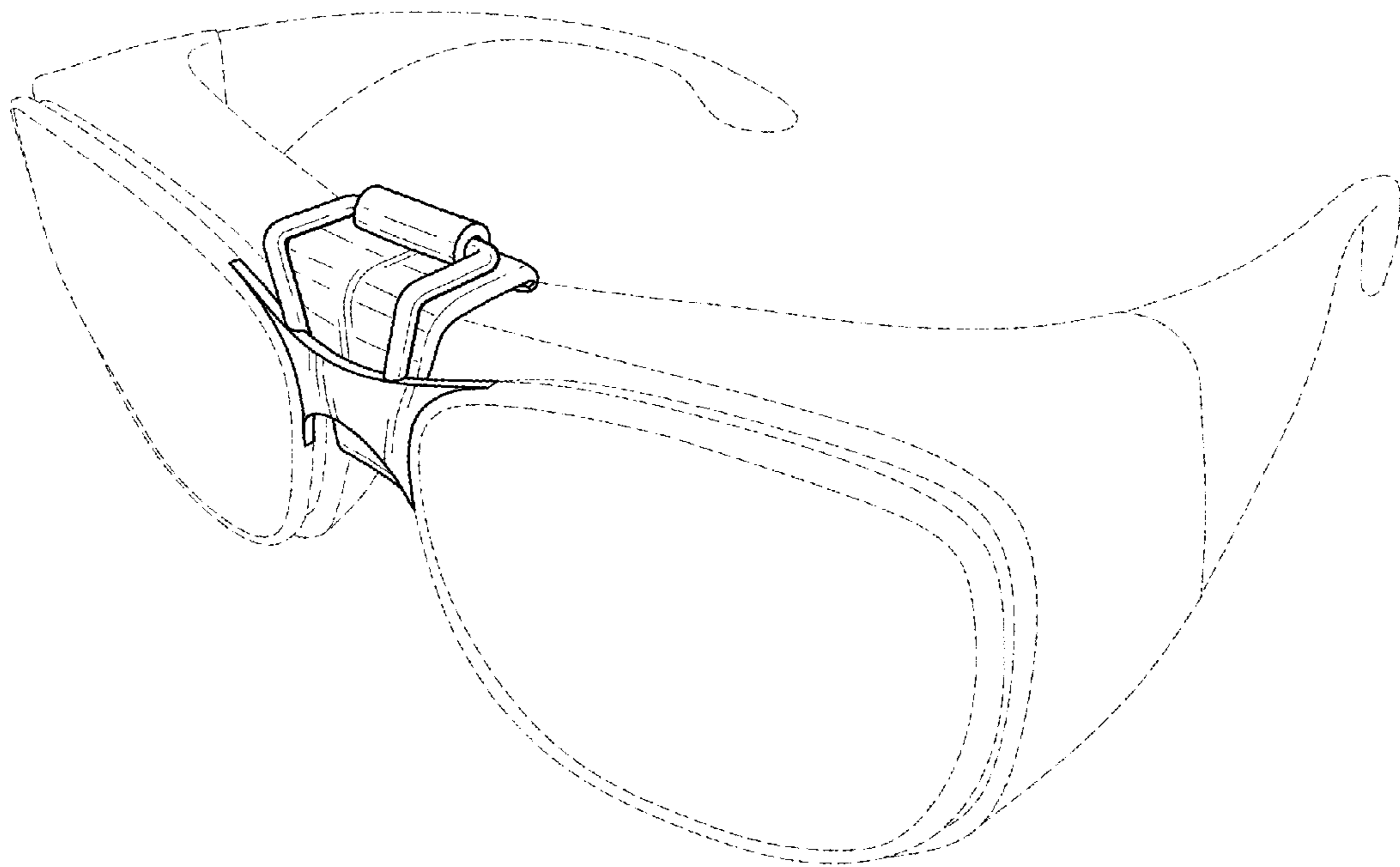


FIG. 1

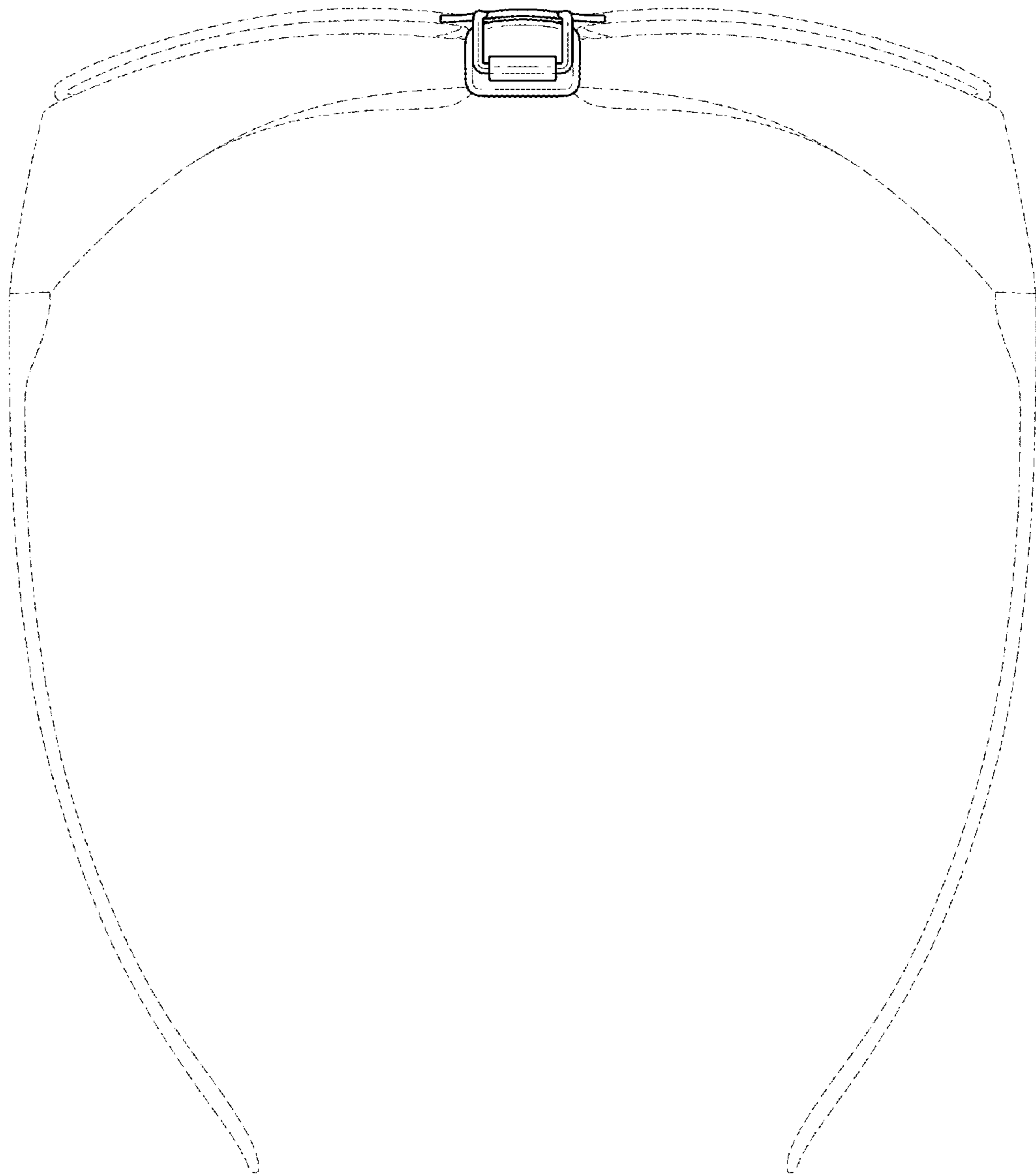


FIG. 2

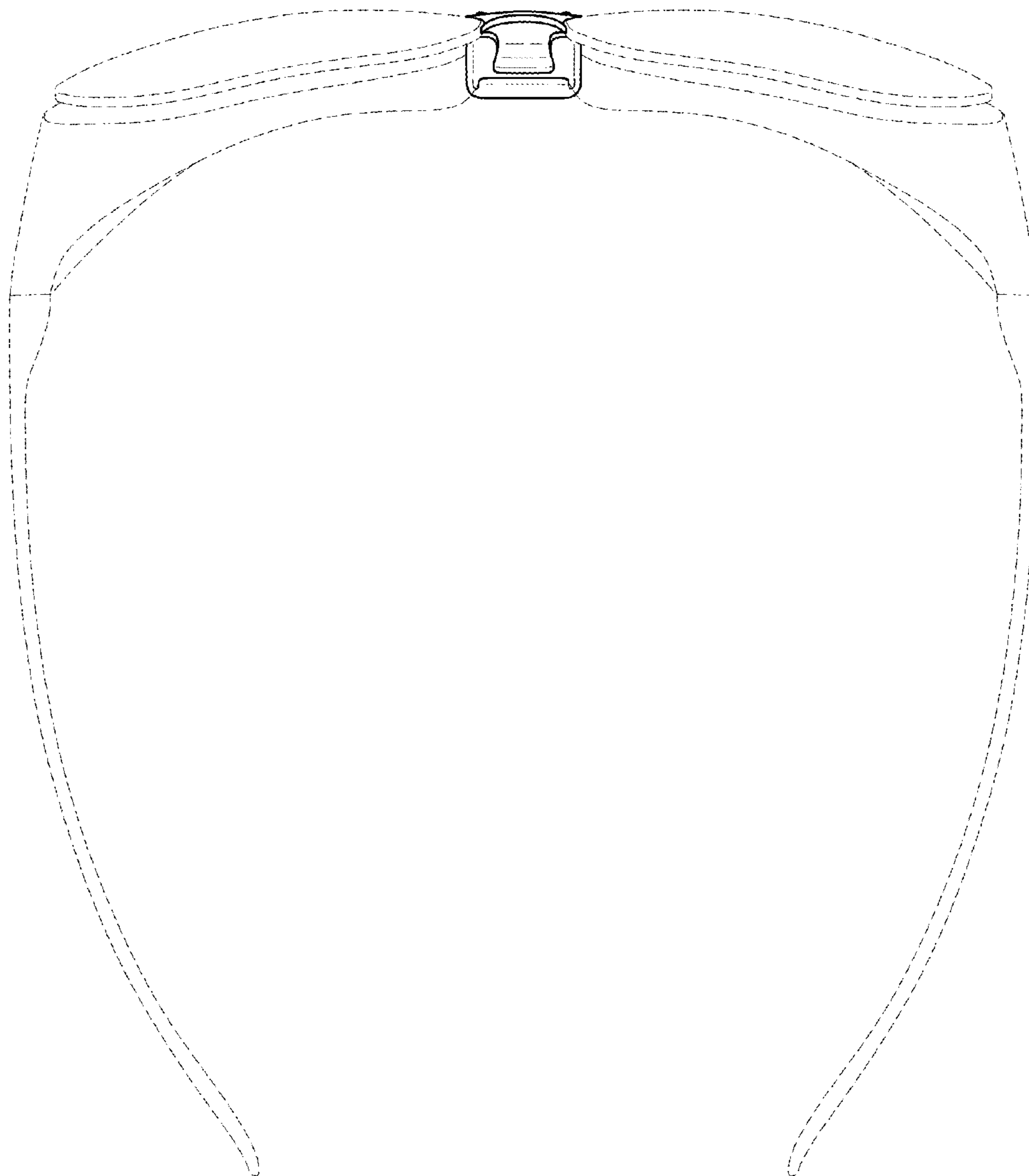


FIG. 3

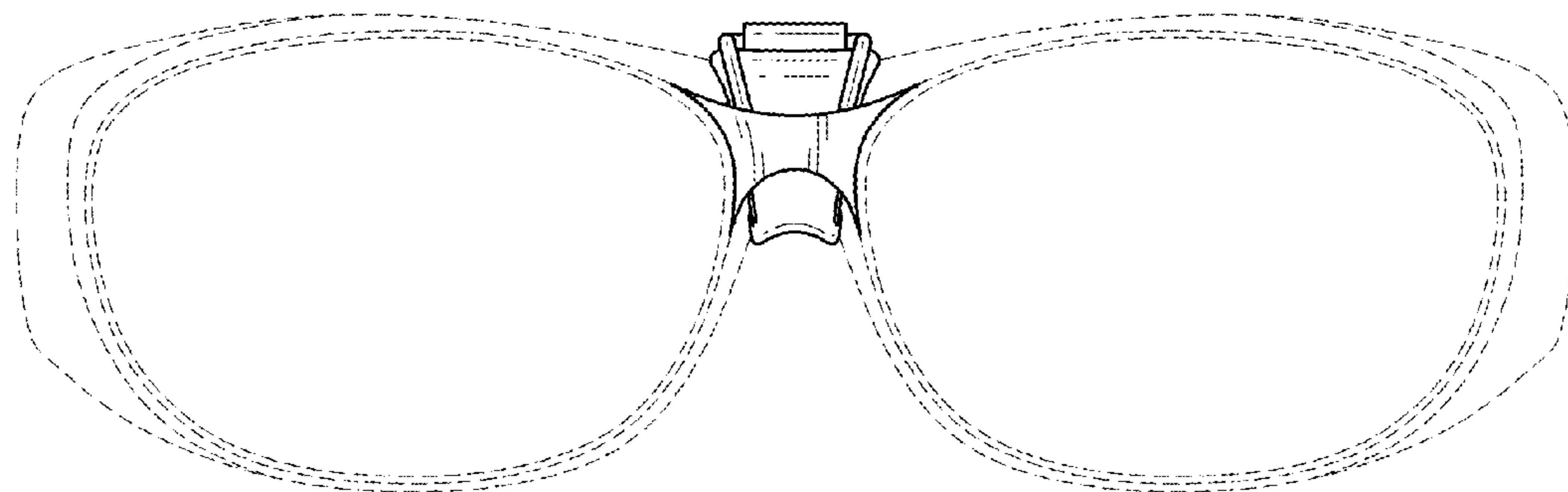


FIG. 4

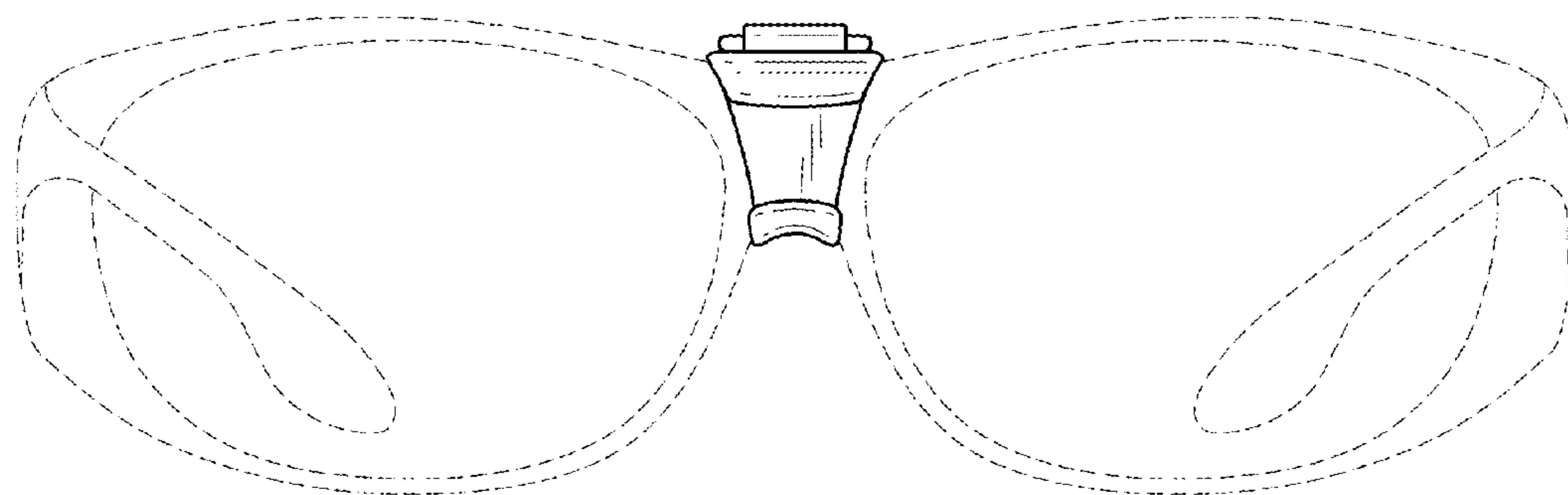


FIG. 5

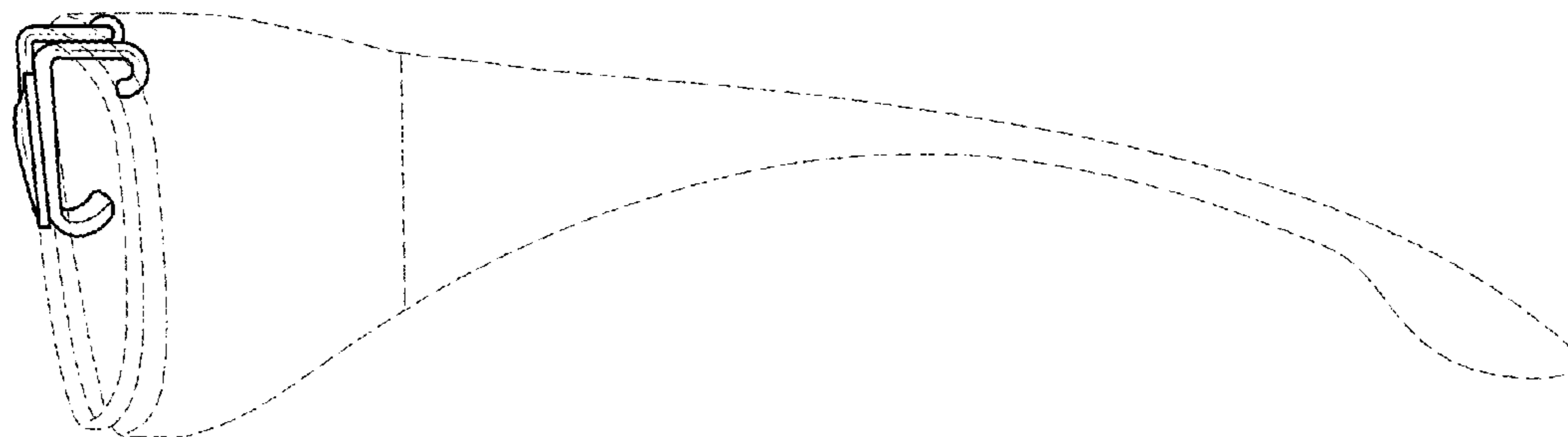


FIG. 6

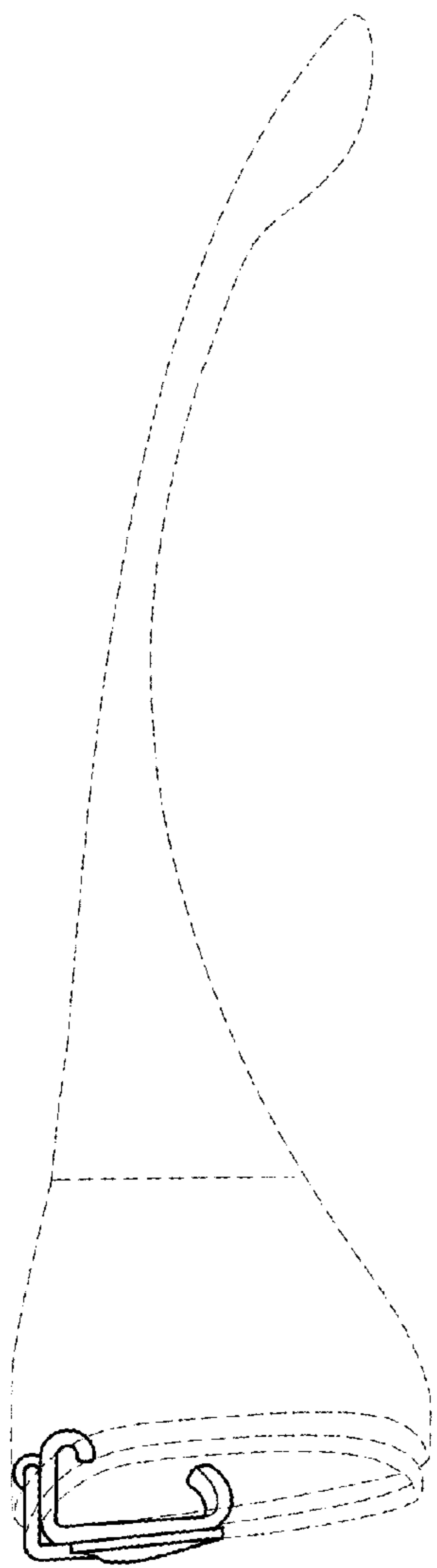


FIG. 7

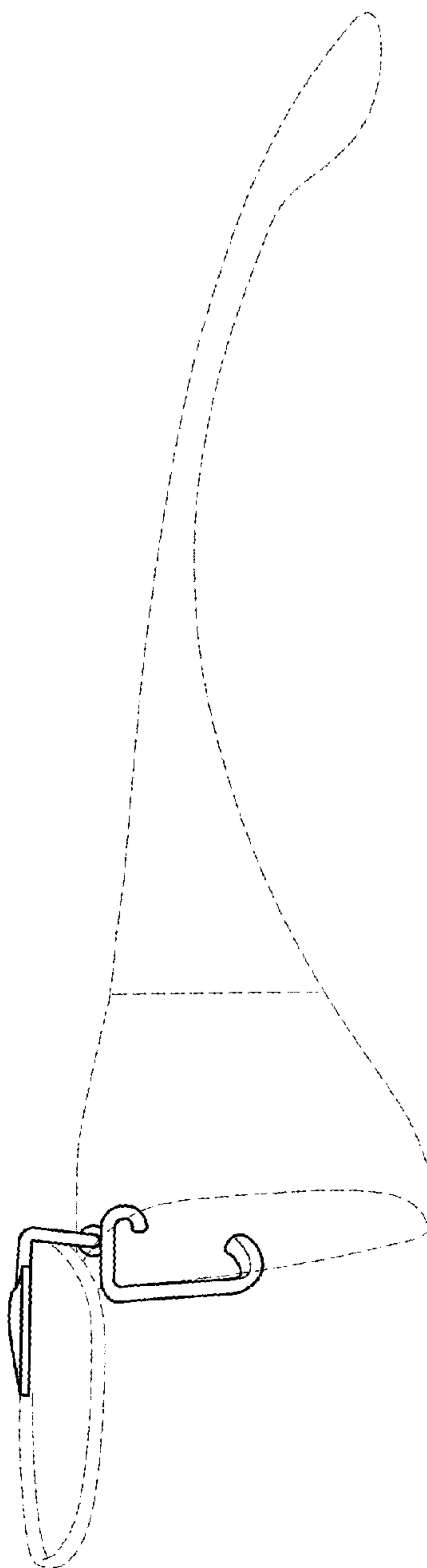


FIG. 8