



US00D719605S

(12) **United States Design Patent**
Dordick

(10) **Patent No.:** **US D719,605 S**

(45) **Date of Patent:** **** Dec. 16, 2014**

(54) **CAMERA LENS MOUNT**

(71) Applicant: **Scott David Dordick**, La Verne, CA
(US)

(72) Inventor: **Scott David Dordick**, La Verne, CA
(US)

(**) Term: **14 Years**

(21) Appl. No.: **29/455,020**

(22) Filed: **May 16, 2013**

(51) **LOC (10) Cl.** **16-05**

(52) **U.S. Cl.**
USPC **D16/245**

(58) **Field of Classification Search**
USPC D10/46, 65; D16/237, 239, 242, 243,
D16/244, 245; 33/365; 224/265; 248/161,
248/176.1, 176.3, 177.1, 185.1, 187.1;
352/242, 243; 359/702, 819, 822, 823,
359/825, 826, 827; 396/218, 419, 420, 422,
396/425, 428

See application file for complete search history.

(56) **References Cited**

U.S. PATENT DOCUMENTS

3,750,318 A * 8/1973 Burris 42/127
D344,970 S * 3/1994 Hanke D16/245

D382,287 S * 8/1997 Palmer D16/242
6,337,775 B1 * 1/2002 Wilson 359/819
D564,010 S * 3/2008 Dordick D16/242
D603,442 S * 11/2009 Dordick D16/242
D653,692 S * 2/2012 Dordick D16/242
2011/0061286 A1 * 3/2011 Wang 42/125

* cited by examiner

Primary Examiner — Susan Bennett Hattan

Assistant Examiner — Leanne Was

(57) **CLAIM**

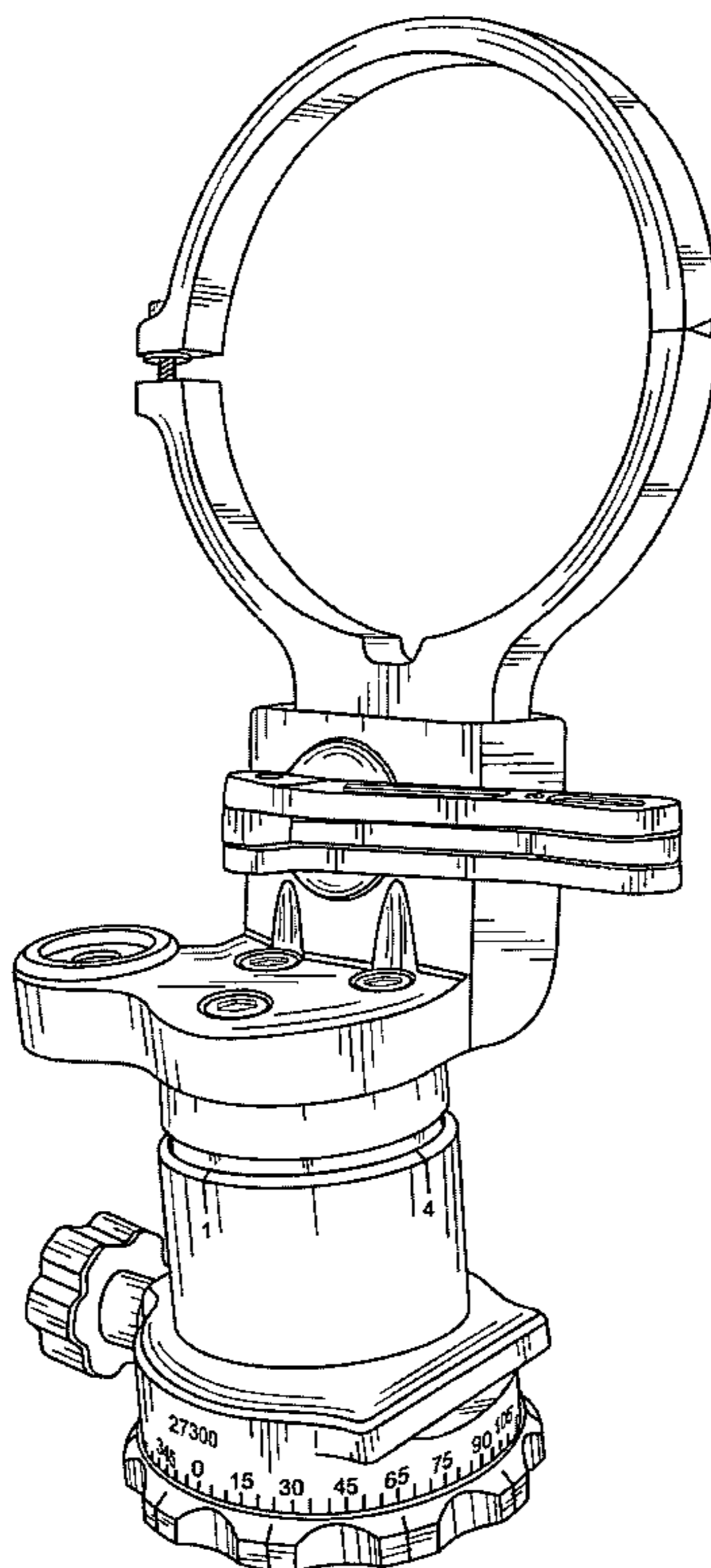
The ornamental design for a camera lens mount, as shown.

DESCRIPTION

FIG. 1 is a front side perspective view of a camera lens mount showing my new design;
FIG. 2 is a rear side perspective view thereof;
FIG. 3 is a front view thereof;
FIG. 4 is a rear view thereof;
FIG. 5 is a left side view thereof;
FIG. 6 is a right side view thereof;
FIG. 7 is a top view thereof; and,
FIG. 8 is a bottom view thereof.

The broken lines depict unclaimed portions of the camera lens mount.

1 Claim, 6 Drawing Sheets



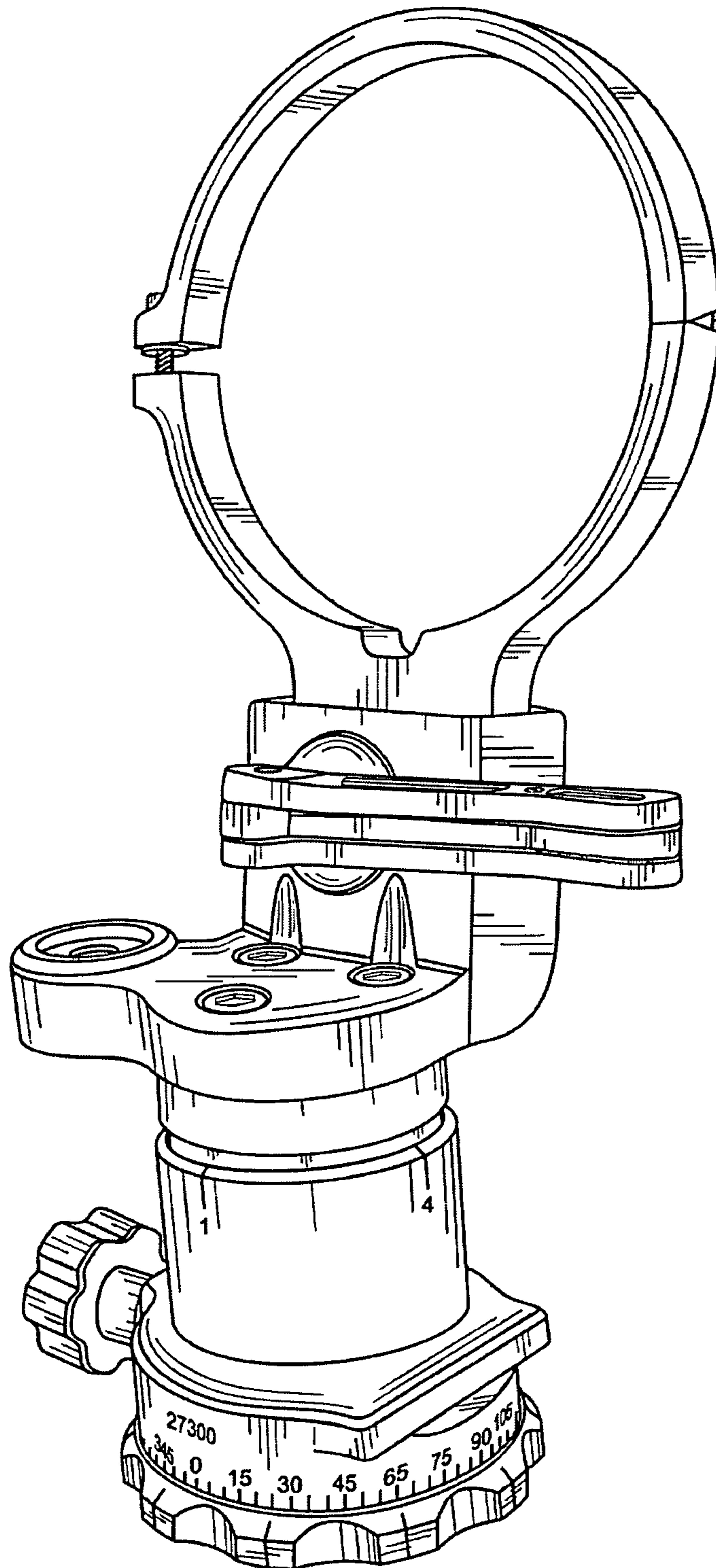


FIG. 1

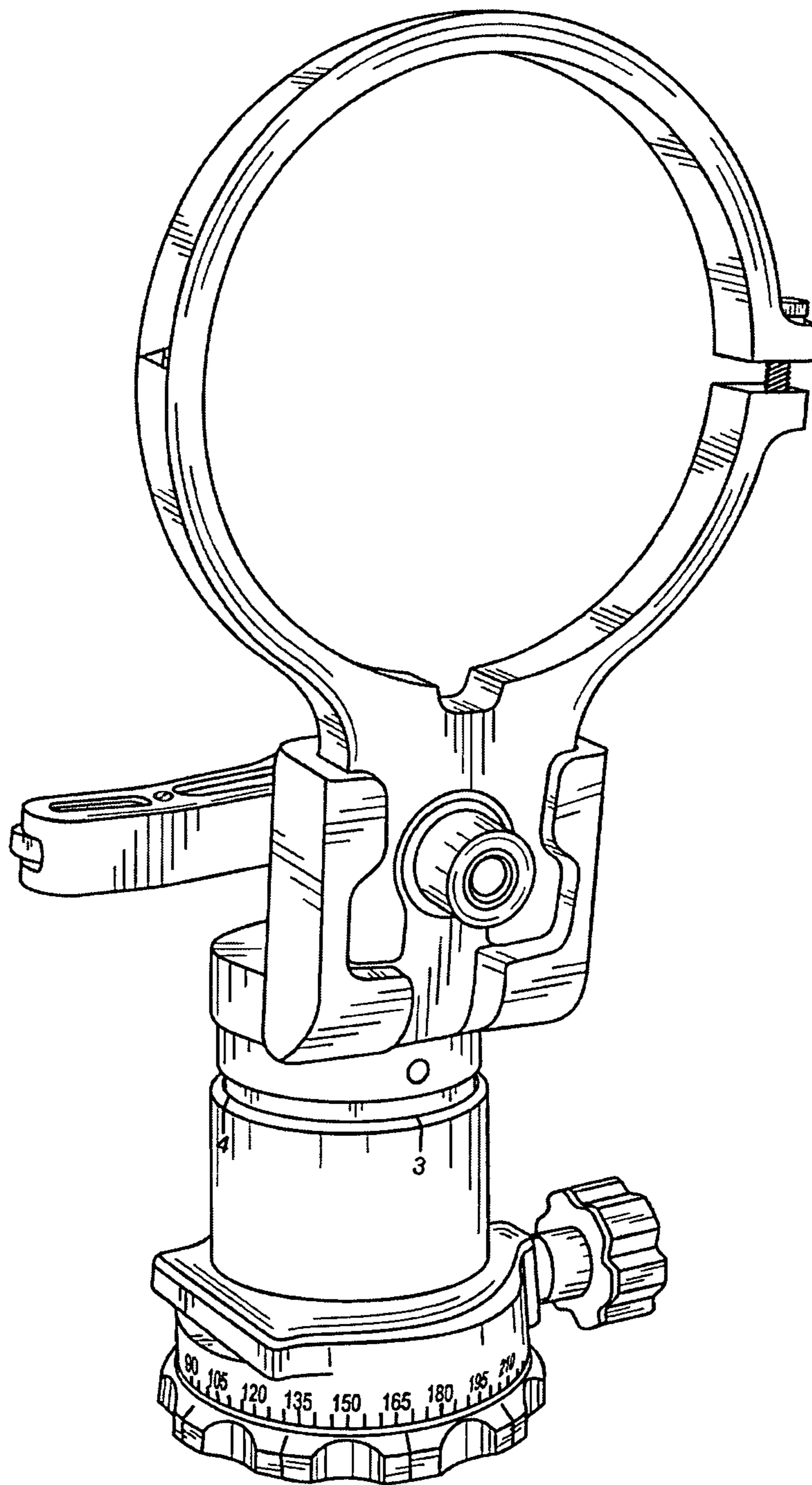


FIG. 2

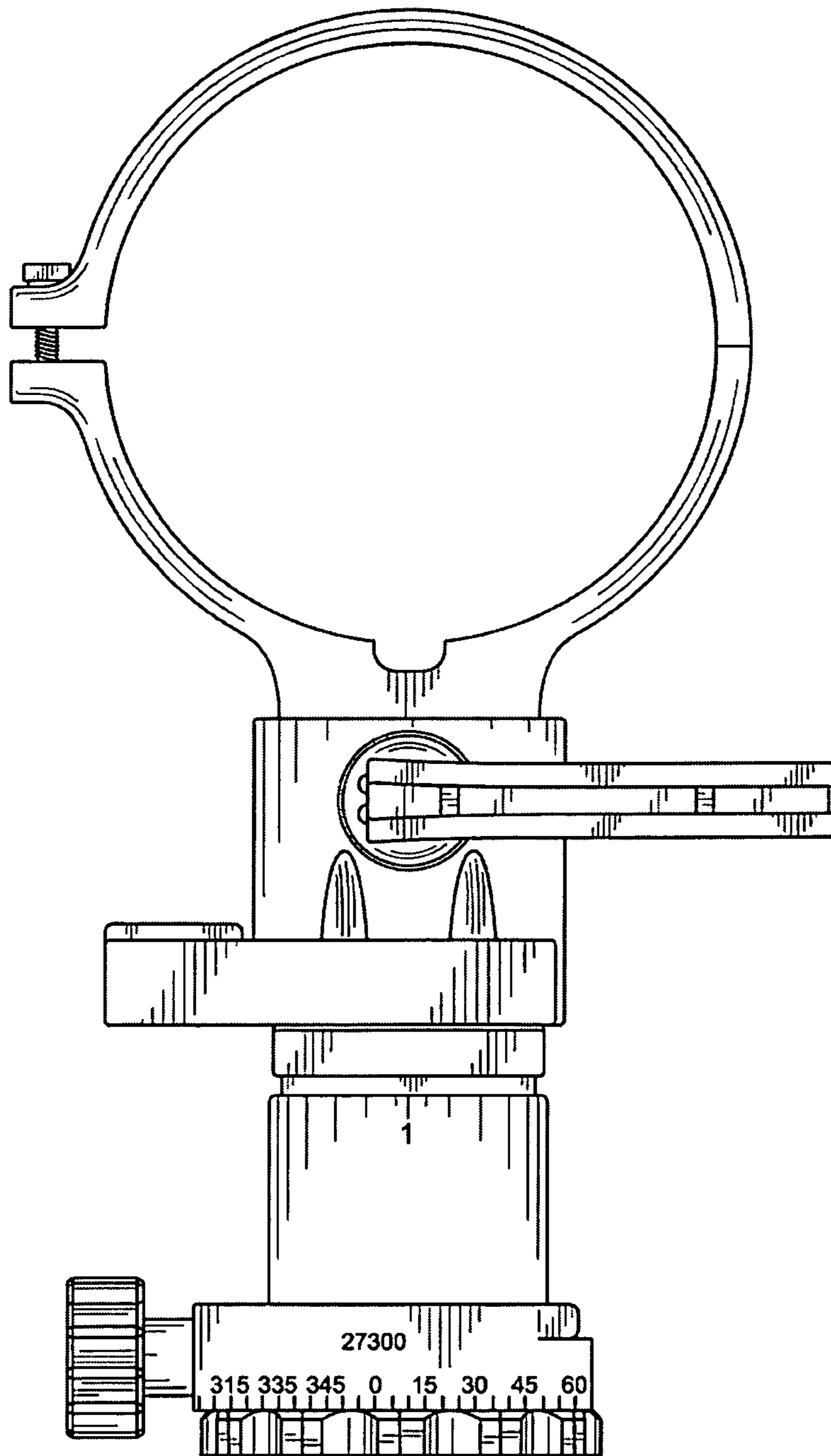


FIG. 3

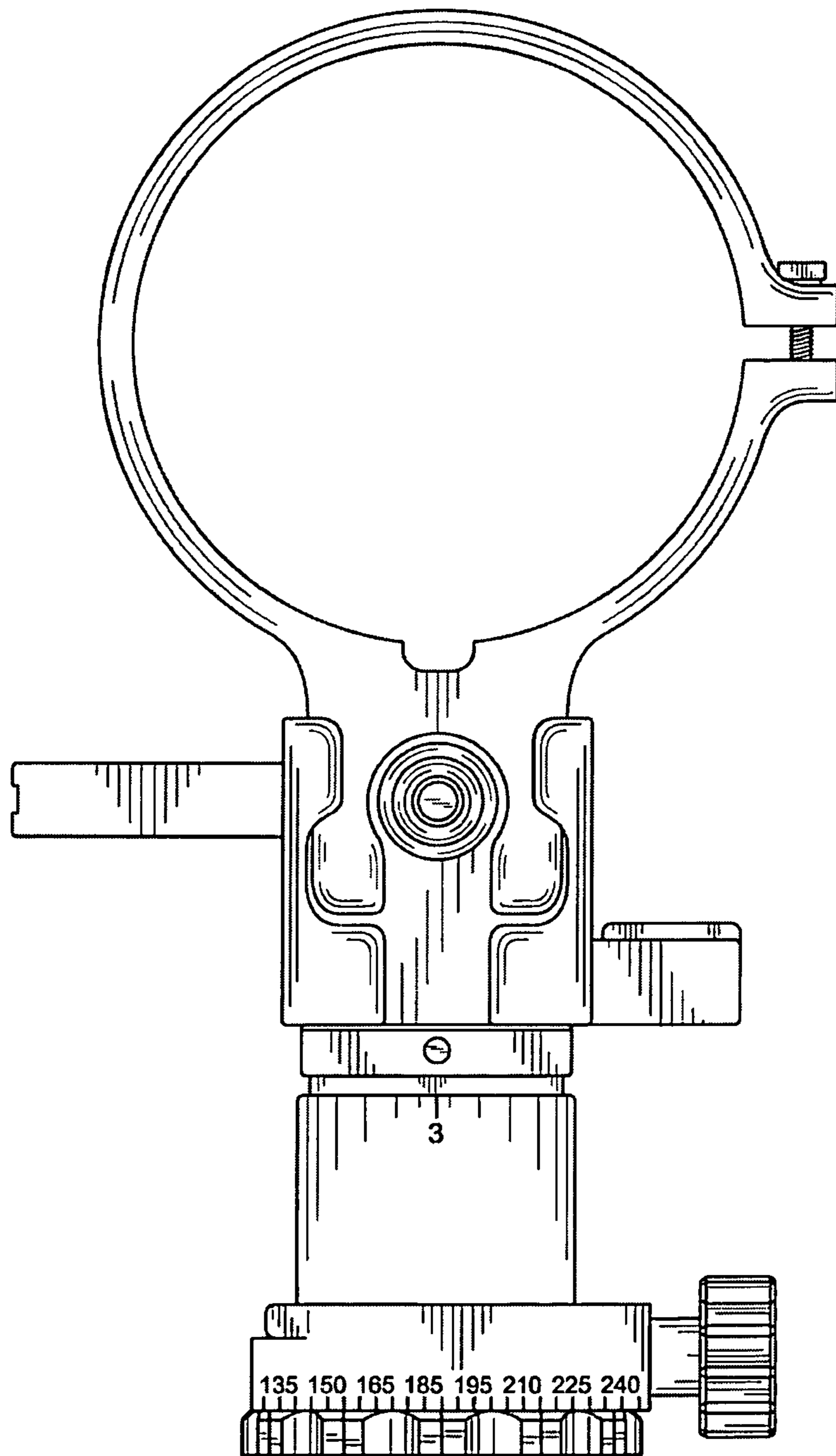


FIG. 4

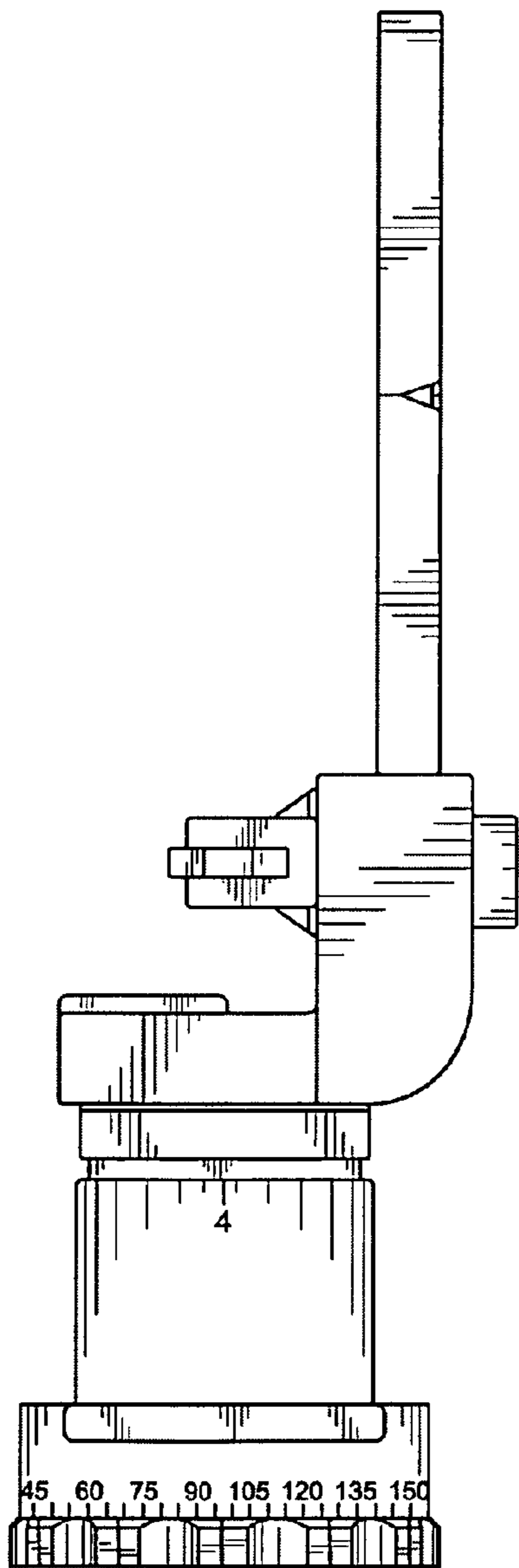


FIG. 5

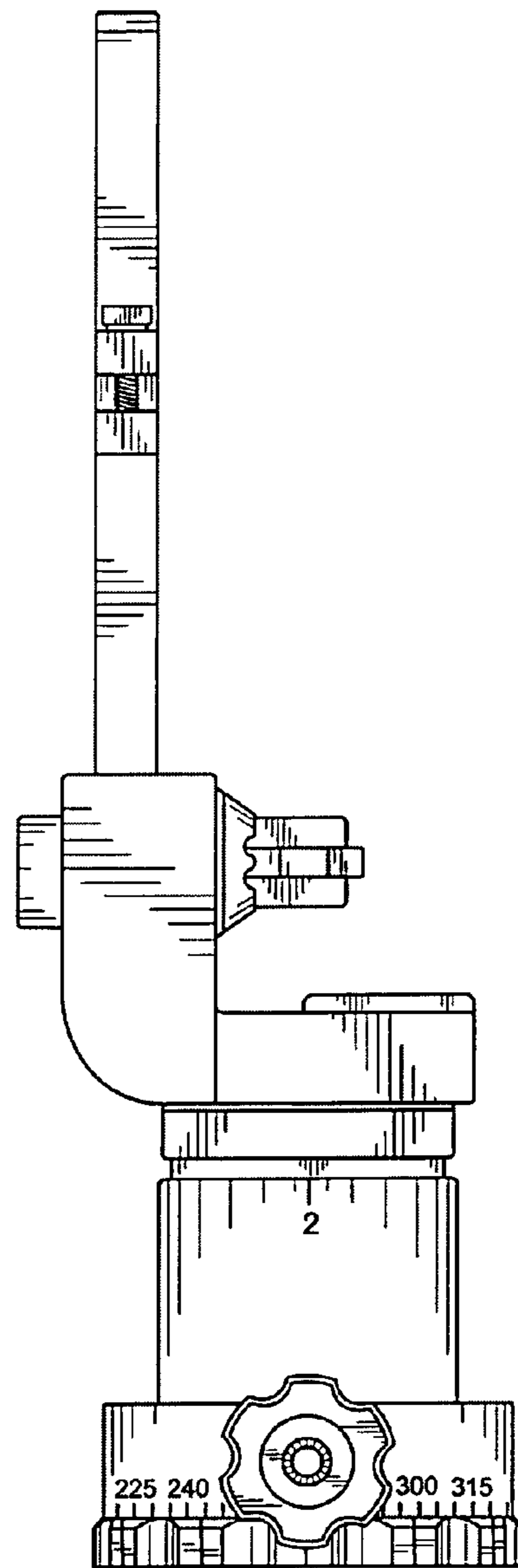


FIG. 6

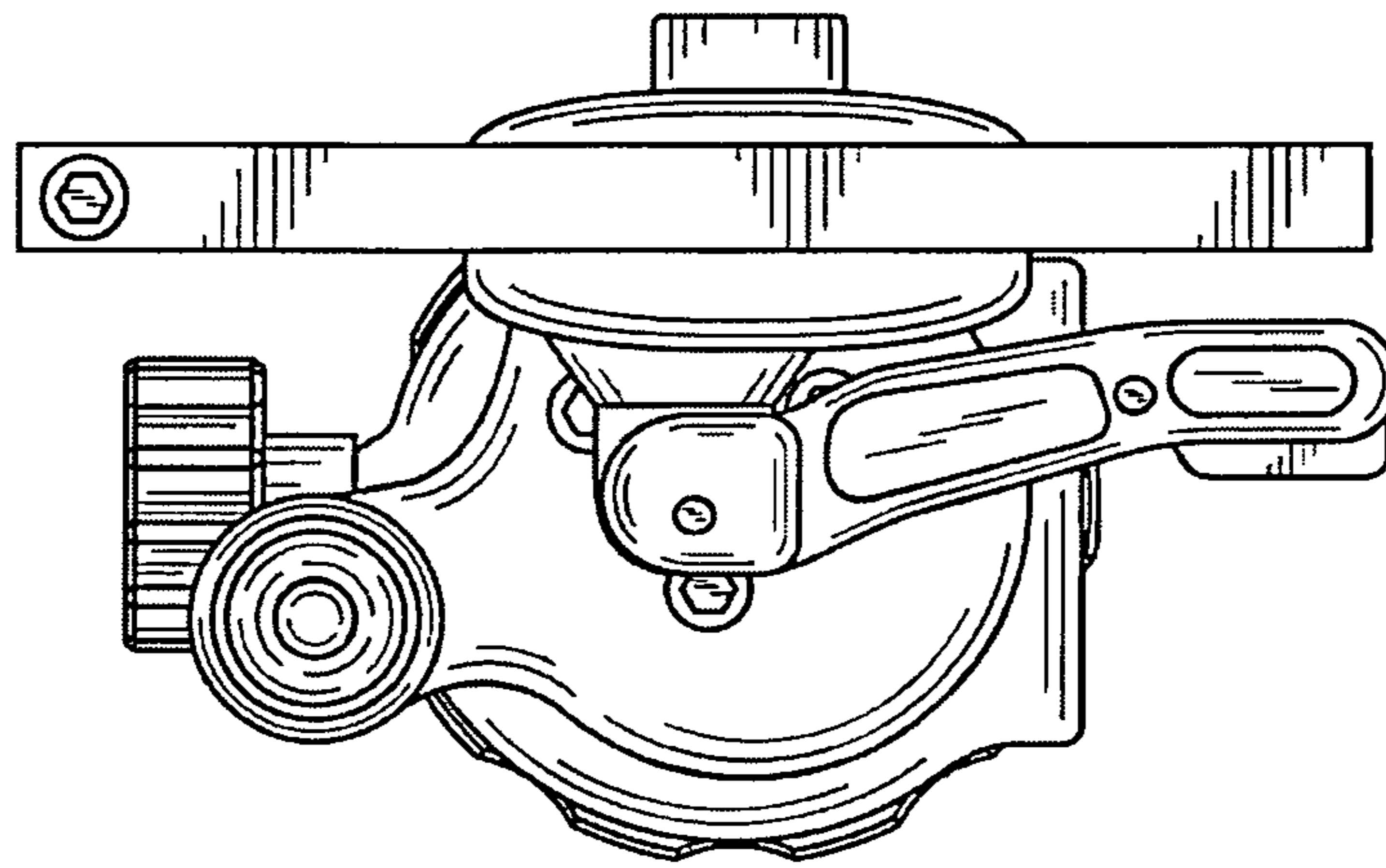


FIG. 7

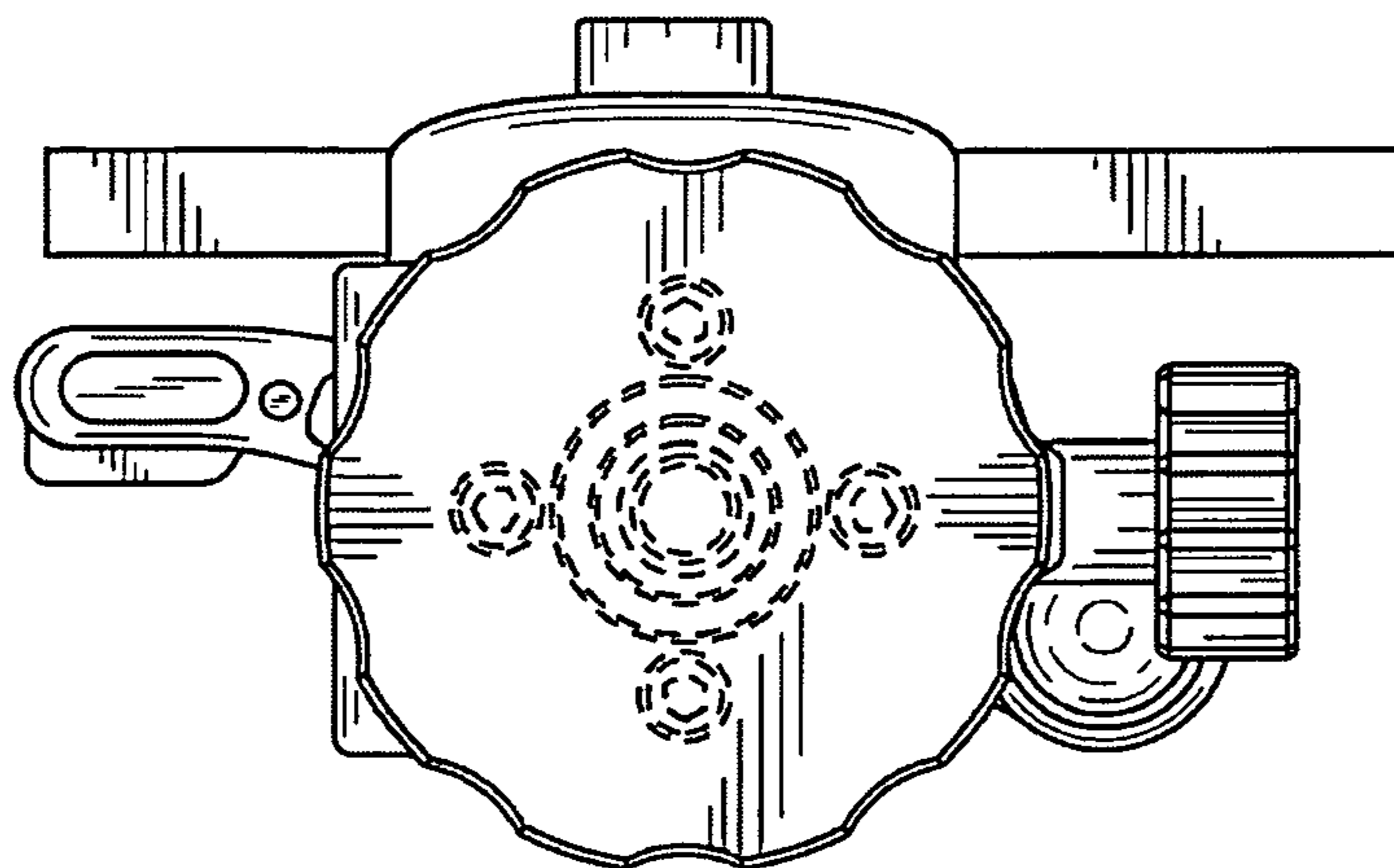


FIG. 8