



US00D719604S

(12) **United States Design Patent**
Palmer

(10) **Patent No.:** **US D719,604 S**

(45) **Date of Patent:** **** Dec. 16, 2014**

(54) **TRIPOD SYSTEM**

(71) Applicant: **Gregory V. Palmer**, West Linn, OR (US)

(72) Inventor: **Gregory V. Palmer**, West Linn, OR (US)

(73) Assignee: **Technikos Sports Corporation**, West Linn, OR (US)

(**) Term: **14 Years**

(21) Appl. No.: **29/449,799**

(22) Filed: **Mar. 15, 2013**

(51) **LOC (10) Cl.** **16-05**

(52) **U.S. Cl.**
USPC **D16/244**

(58) **Field of Classification Search**
USPC D8/349; D16/237, 242, 244, 245;
248/168-171, 176.1, 177.1, 187.1;
352/243; 396/419, 428
See application file for complete search history.

(56) **References Cited**

U.S. PATENT DOCUMENTS

4,648,698	A *	3/1987	Iwasaki	248/163.1
4,751,540	A *	6/1988	Jones	396/419
D299,243	S *	1/1989	Iwasaki	D16/244
D349,914	S *	8/1994	Usui	D16/244
D656,175	S *	3/2012	Fong	D16/244
8,322,665	B2	12/2012	Palik	
2013/0038770	A1	2/2013	Hawkins	

FOREIGN PATENT DOCUMENTS

CN 301804482 * 7/2011

OTHER PUBLICATIONS

Technikos Sports, "Technique—the manner and ability with which an athlete employs the skills of a particular art of endeavor" <http://technikosports.com> Visited Mar. 13, 2013.

* cited by examiner

Primary Examiner — Susan Bennett Hattan

Assistant Examiner — Leanne Was

(74) *Attorney, Agent, or Firm* — Stoel Rives LLP

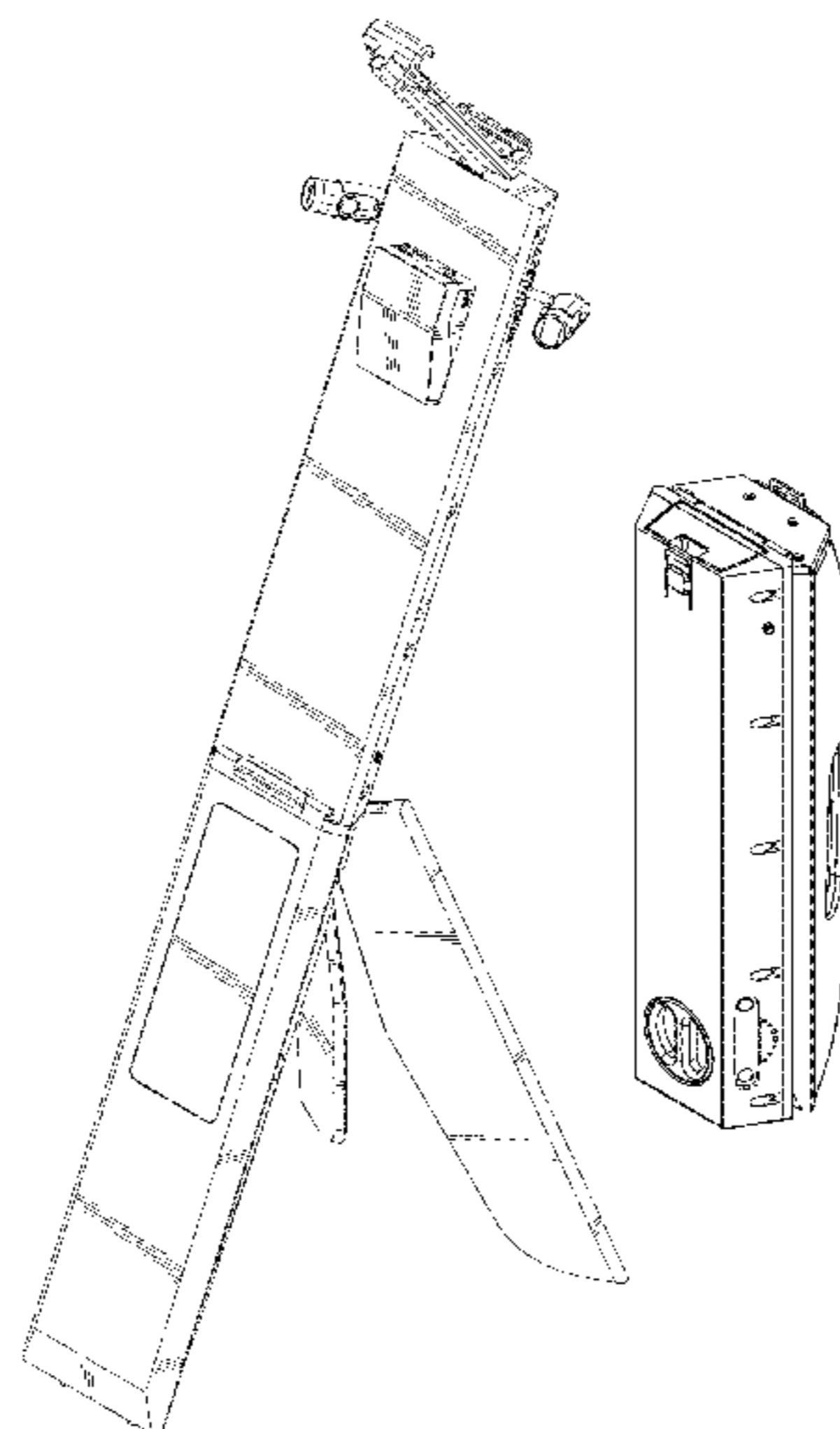
(57) **CLAIM**

The ornamental design for a tripod system, as shown and described.

DESCRIPTION

FIG. 1 is a front right isometric view of the tripod system showing the new design;
 FIG. 2 is a front side elevation view thereof;
 FIG. 3 is a rear side elevation view thereof;
 FIG. 4 is a left side elevation view thereof;
 FIG. 5 is a right side elevation view thereof;
 FIG. 6 is a top plan view thereof;
 FIG. 7 is a bottom plan view thereof.
 FIG. 8 is a front right isometric view of an alternate arrangement of the tripod system of FIGS. 1-7;
 FIG. 9 is a front side elevation view thereof;
 FIG. 10 is a rear side elevation view thereof;
 FIG. 11 is a left side elevation view thereof;
 FIG. 12 is a right side elevation view thereof;
 FIG. 13 is a top plan view thereof;
 FIG. 14 is a bottom plan view thereof.
 FIG. 15 is a front right isometric view of a tripod system as in FIGS. 1-7 in a folded up arrangement;
 FIG. 16 is a front side elevation view thereof;
 FIG. 17 is a rear side elevation view thereof;
 FIG. 18 is a left side elevation view thereof;
 FIG. 19 is a right side elevation view thereof;
 FIG. 20 is a top plan view thereof; and,
 FIG. 21 is a bottom plan view thereof.
 The broken lines in 8-16, 18, 19 and 21 depict environmental subject matter and unclaimed portions of the tripod system only and form no part of the claimed design.

1 Claim, 21 Drawing Sheets



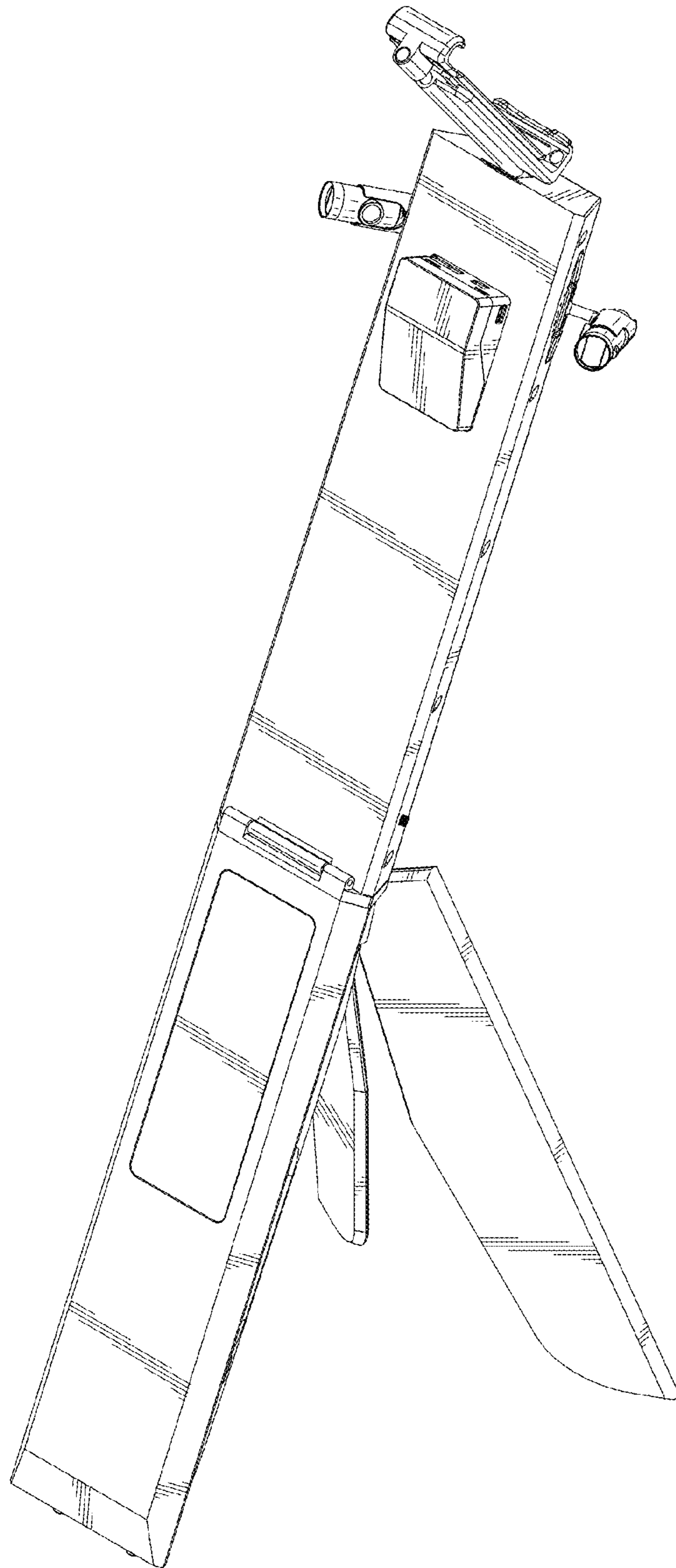


FIG. 1

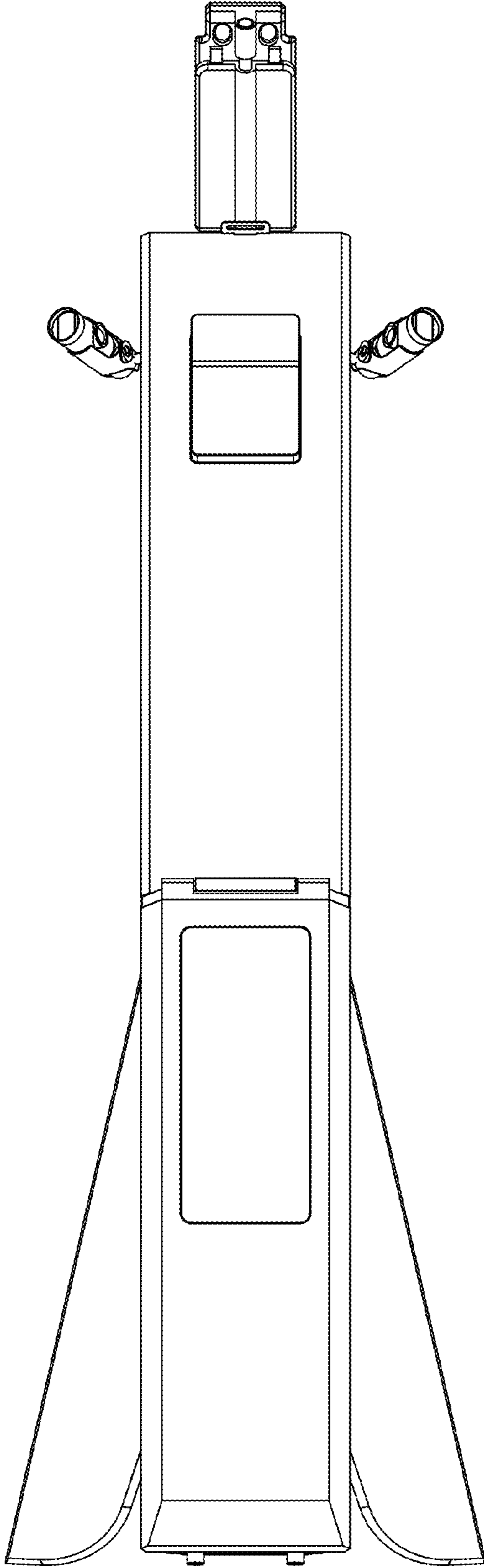


FIG. 2

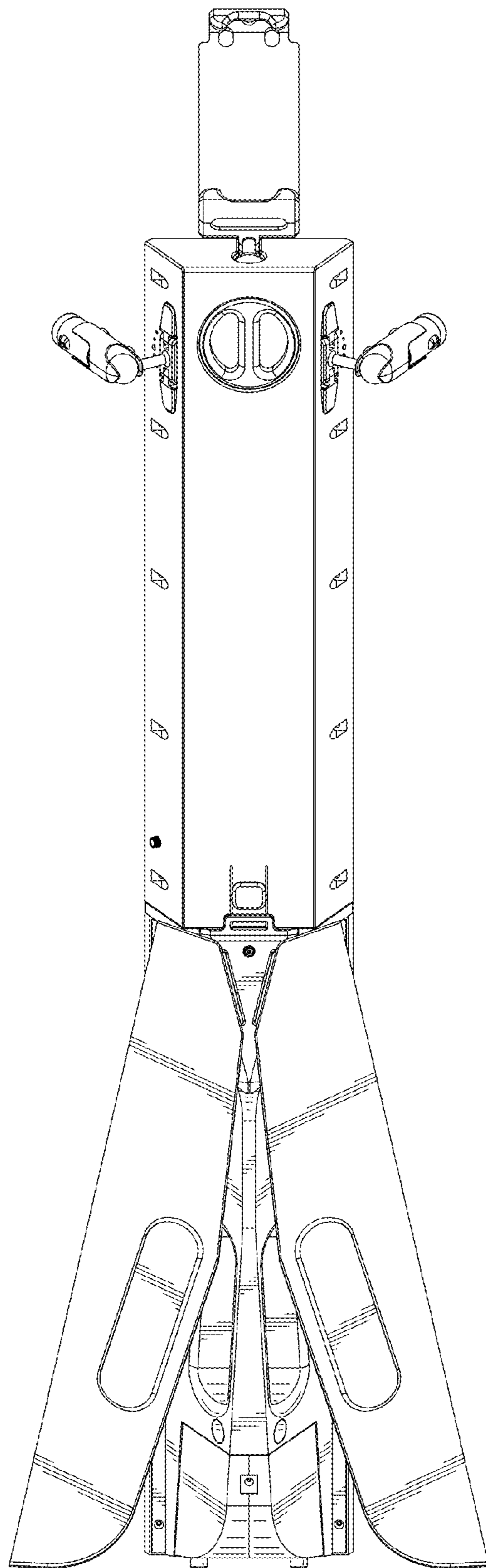


FIG. 3

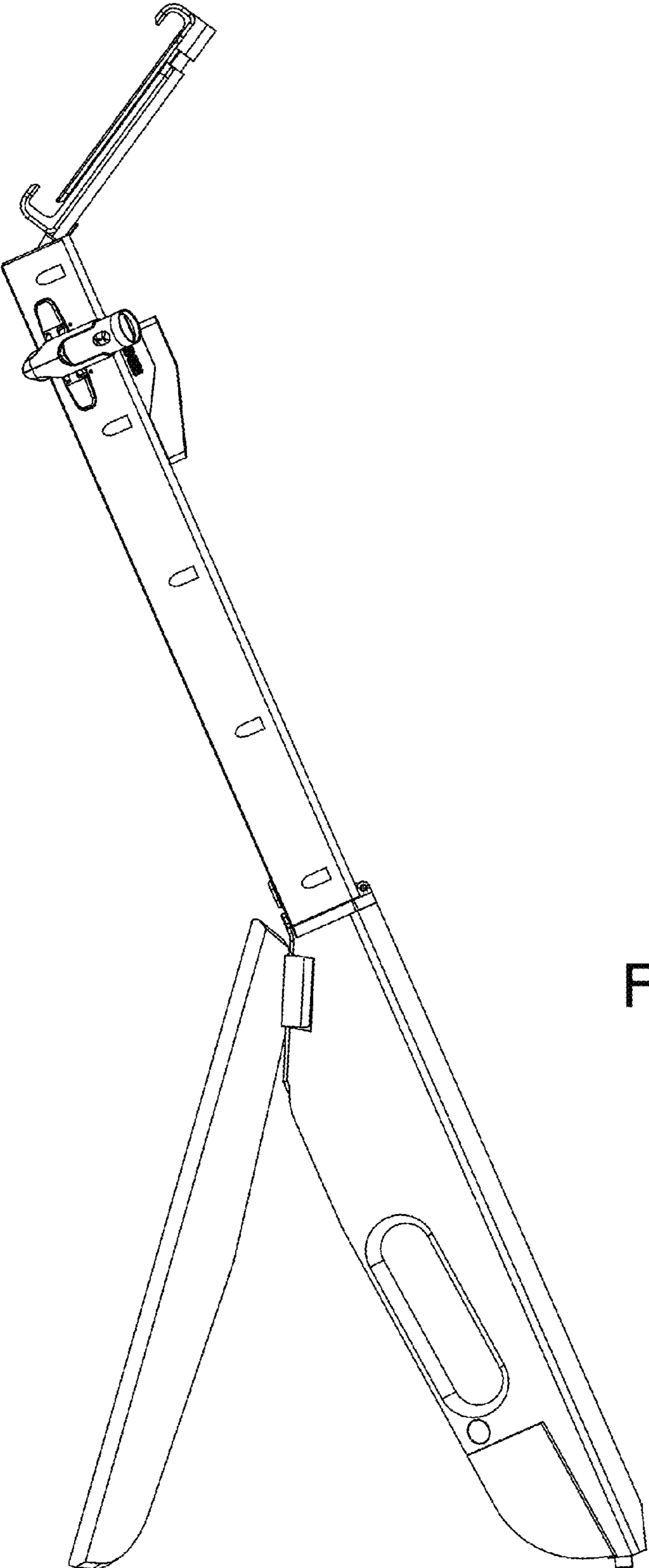


FIG. 4

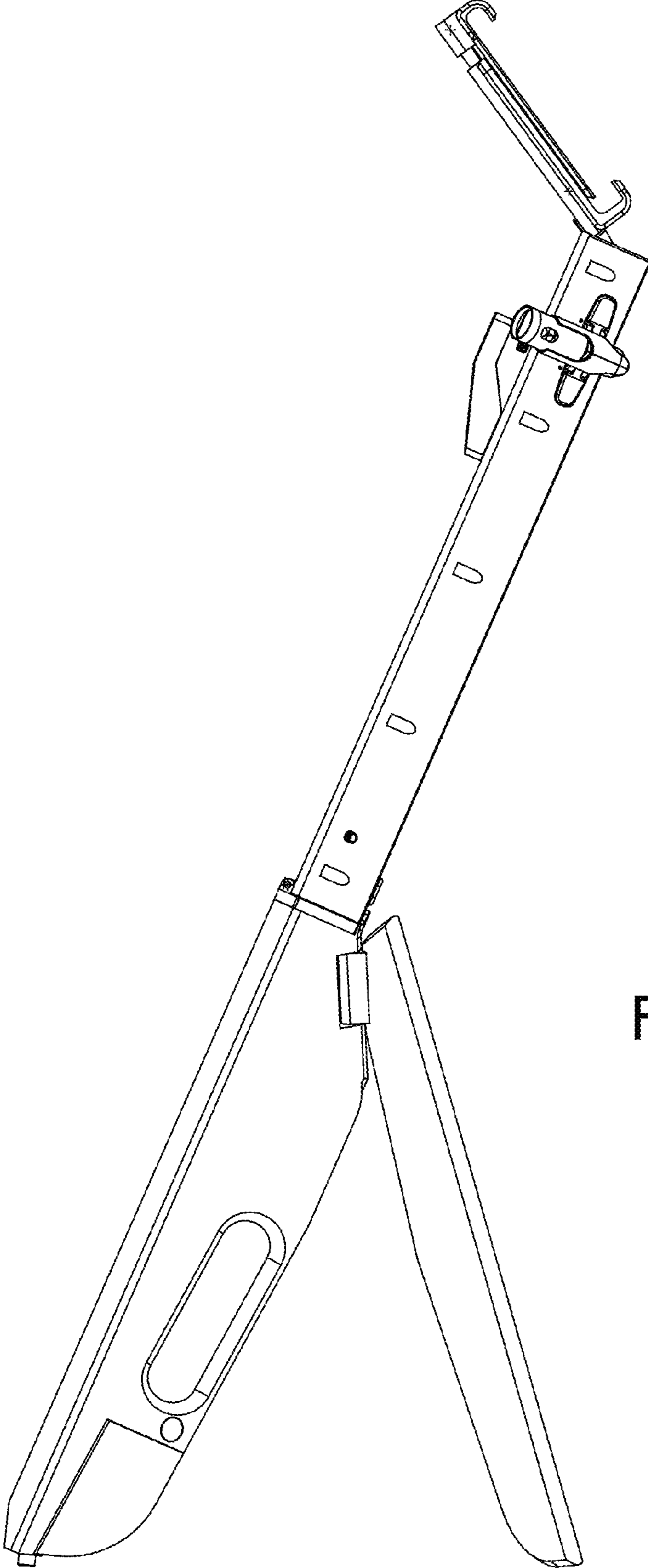


FIG. 5

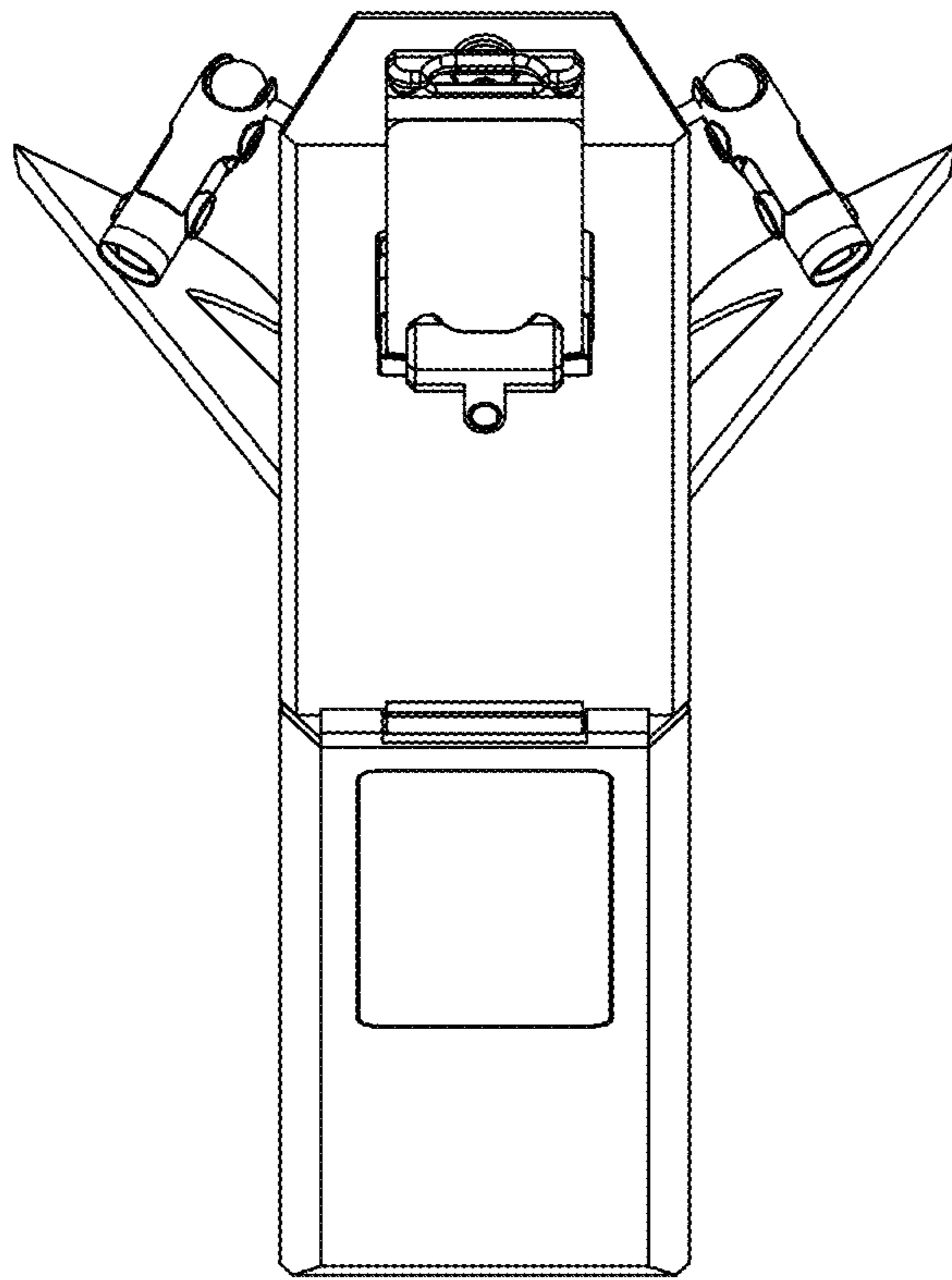


FIG. 6

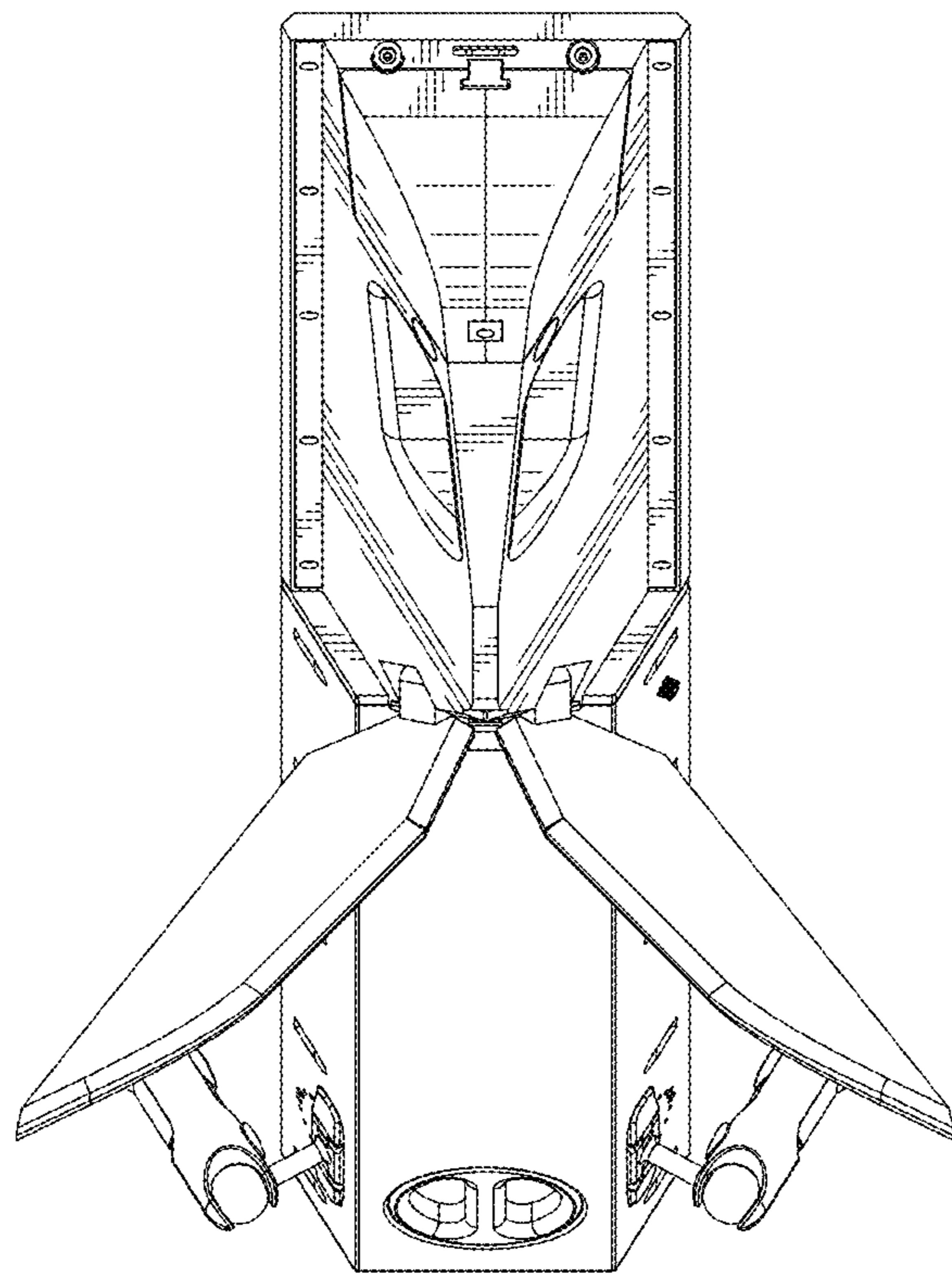


FIG. 7

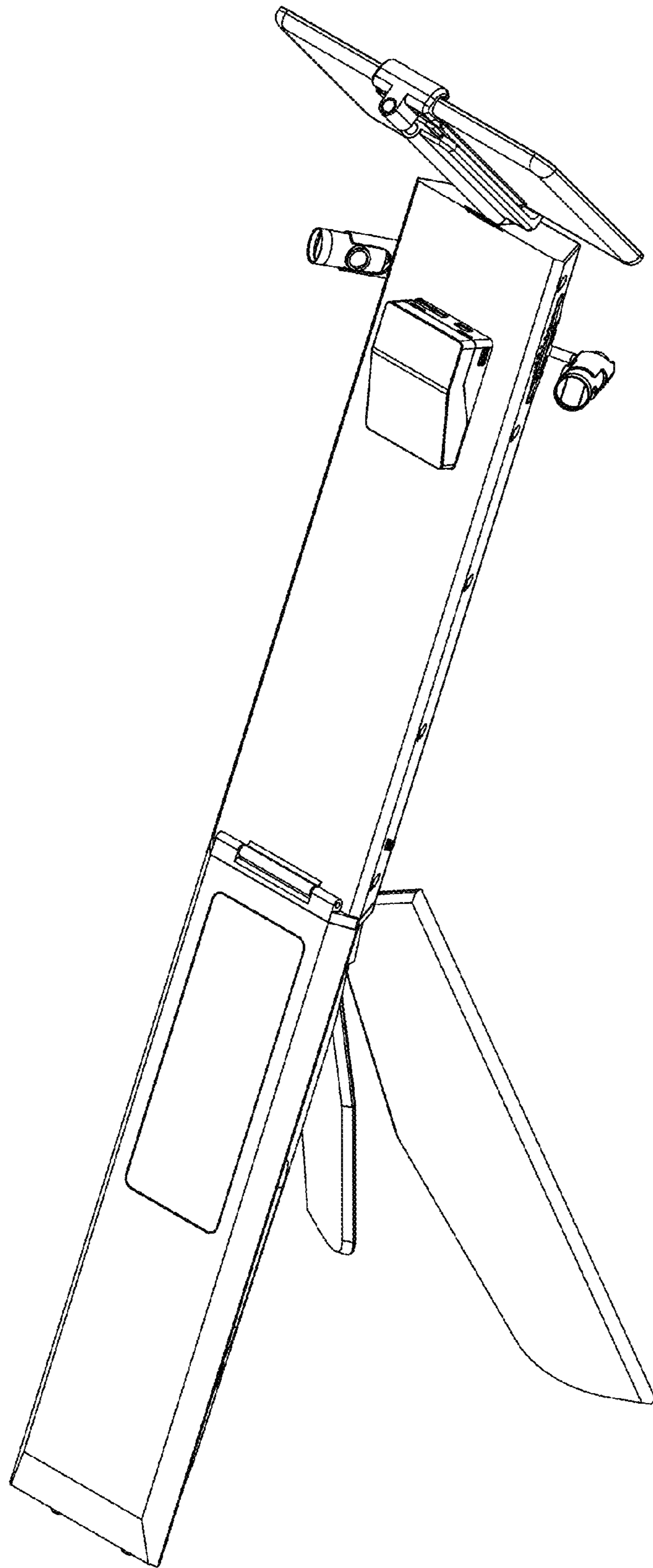


FIG. 8

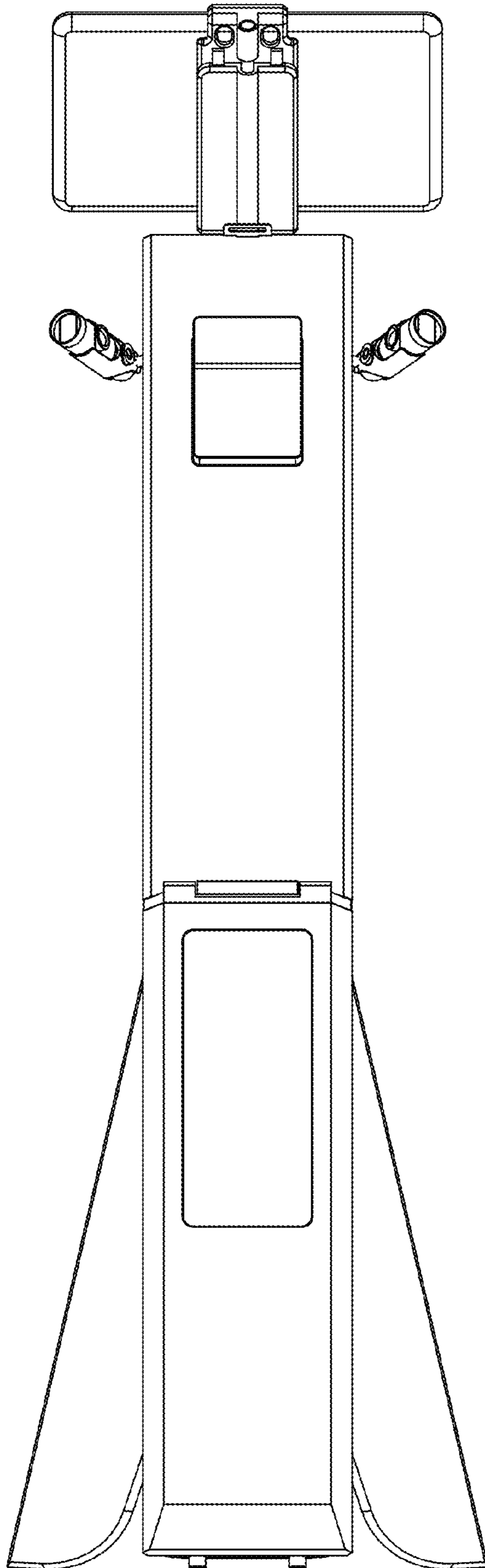


FIG. 9

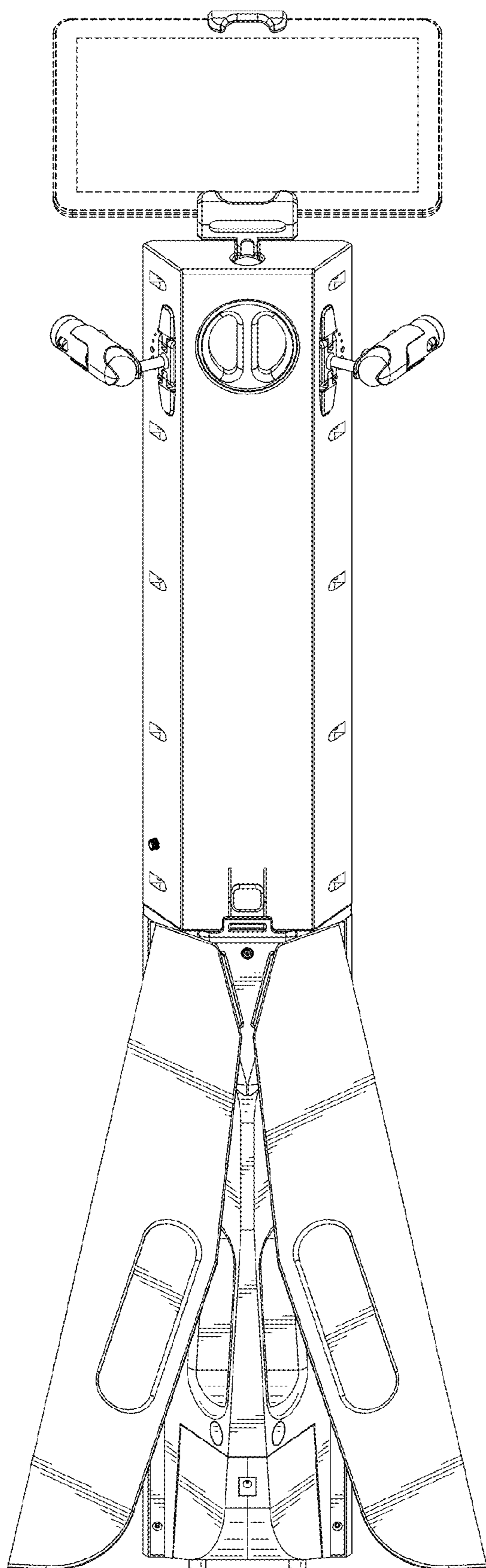


FIG. 10

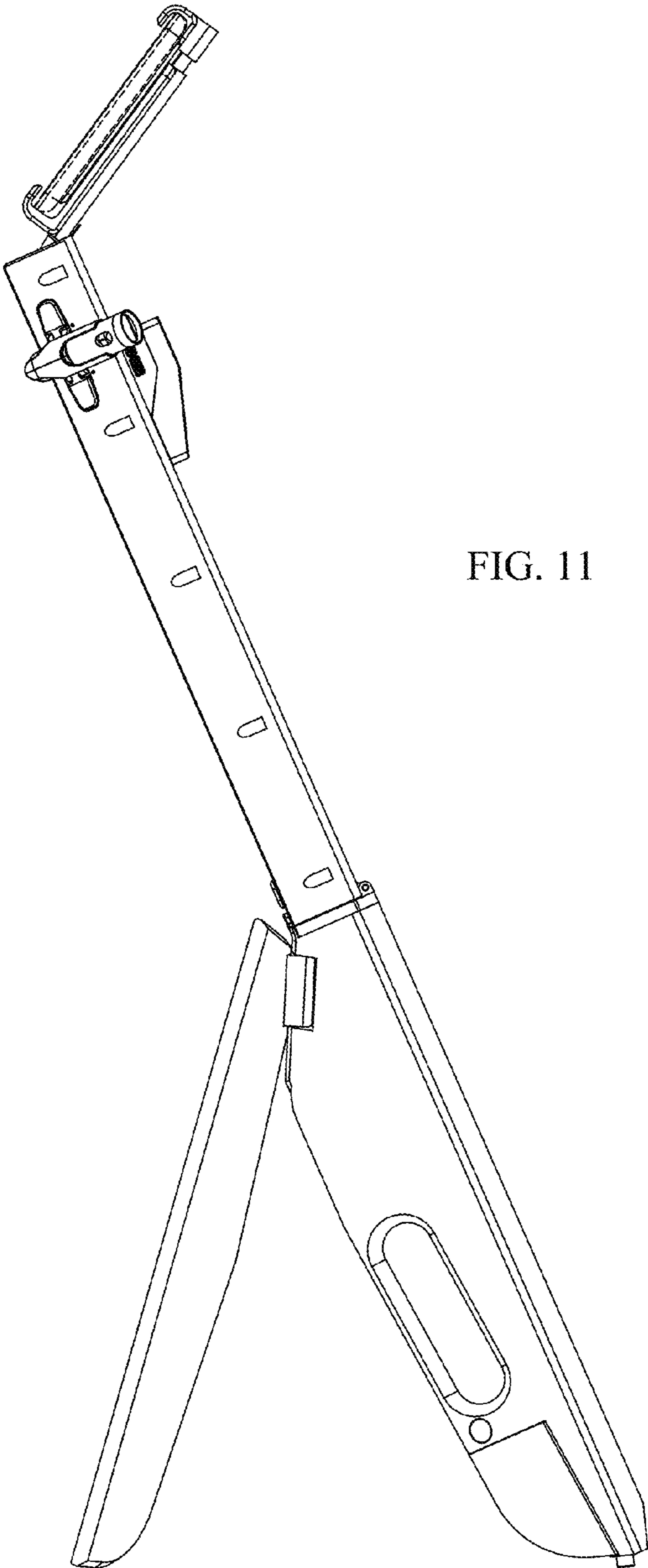


FIG. 11

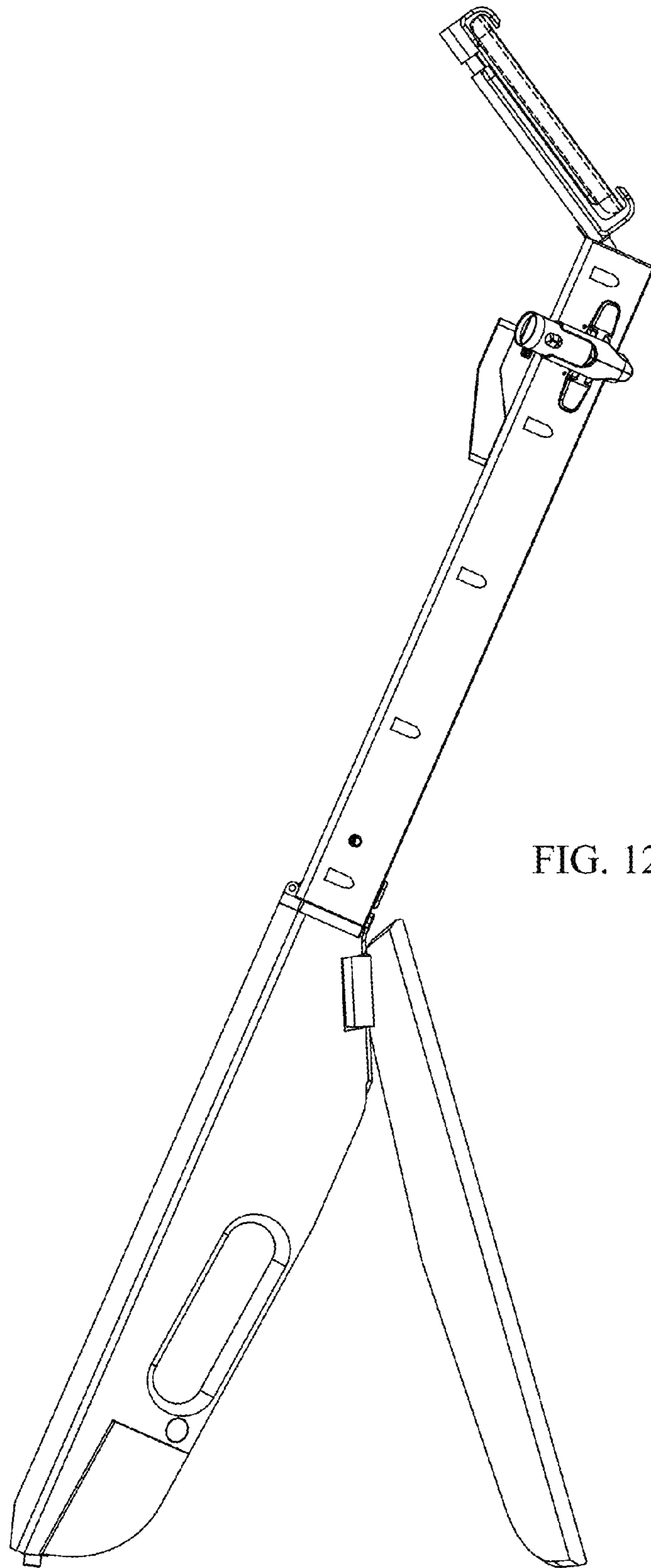


FIG. 12

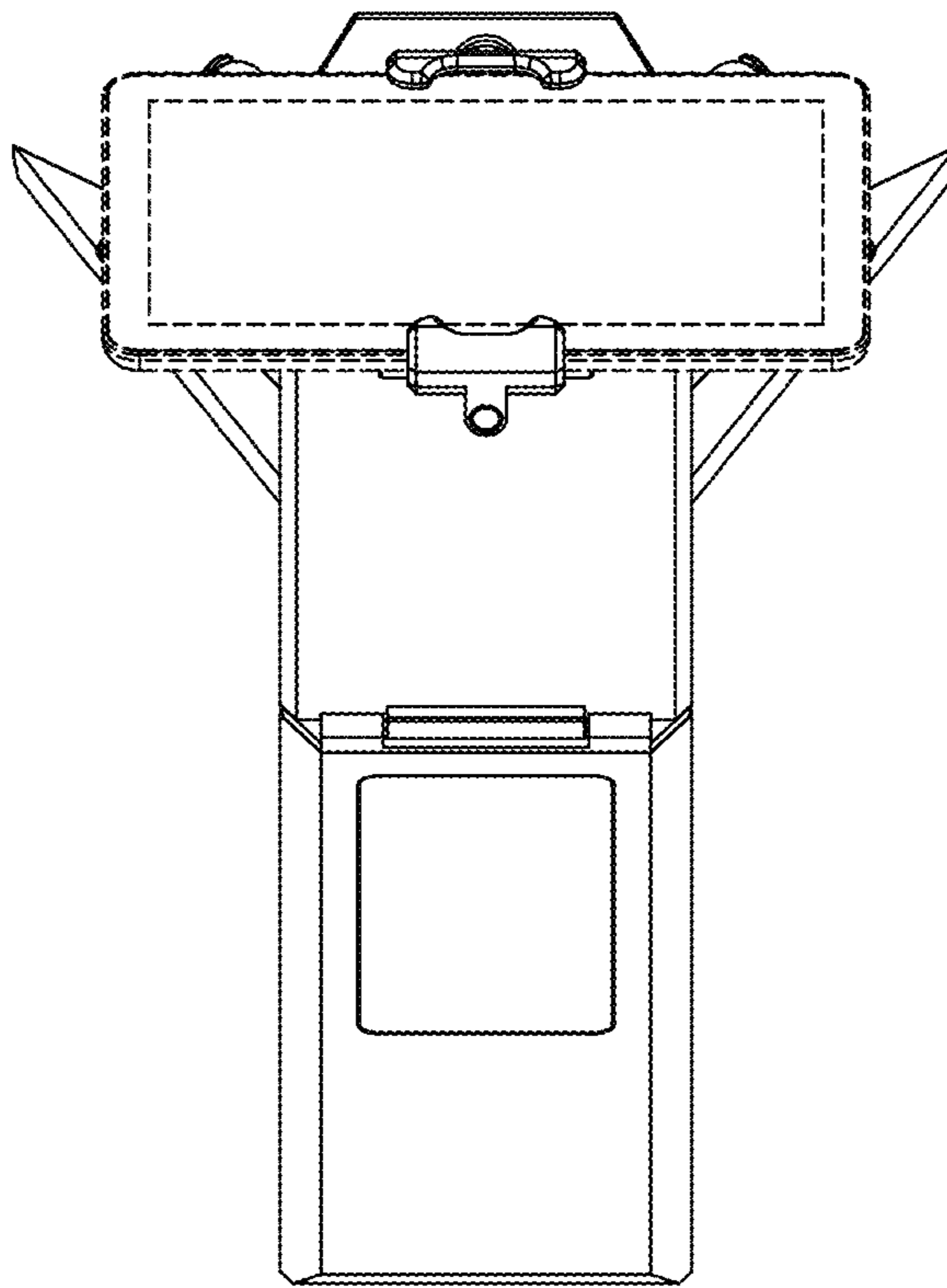


FIG. 13

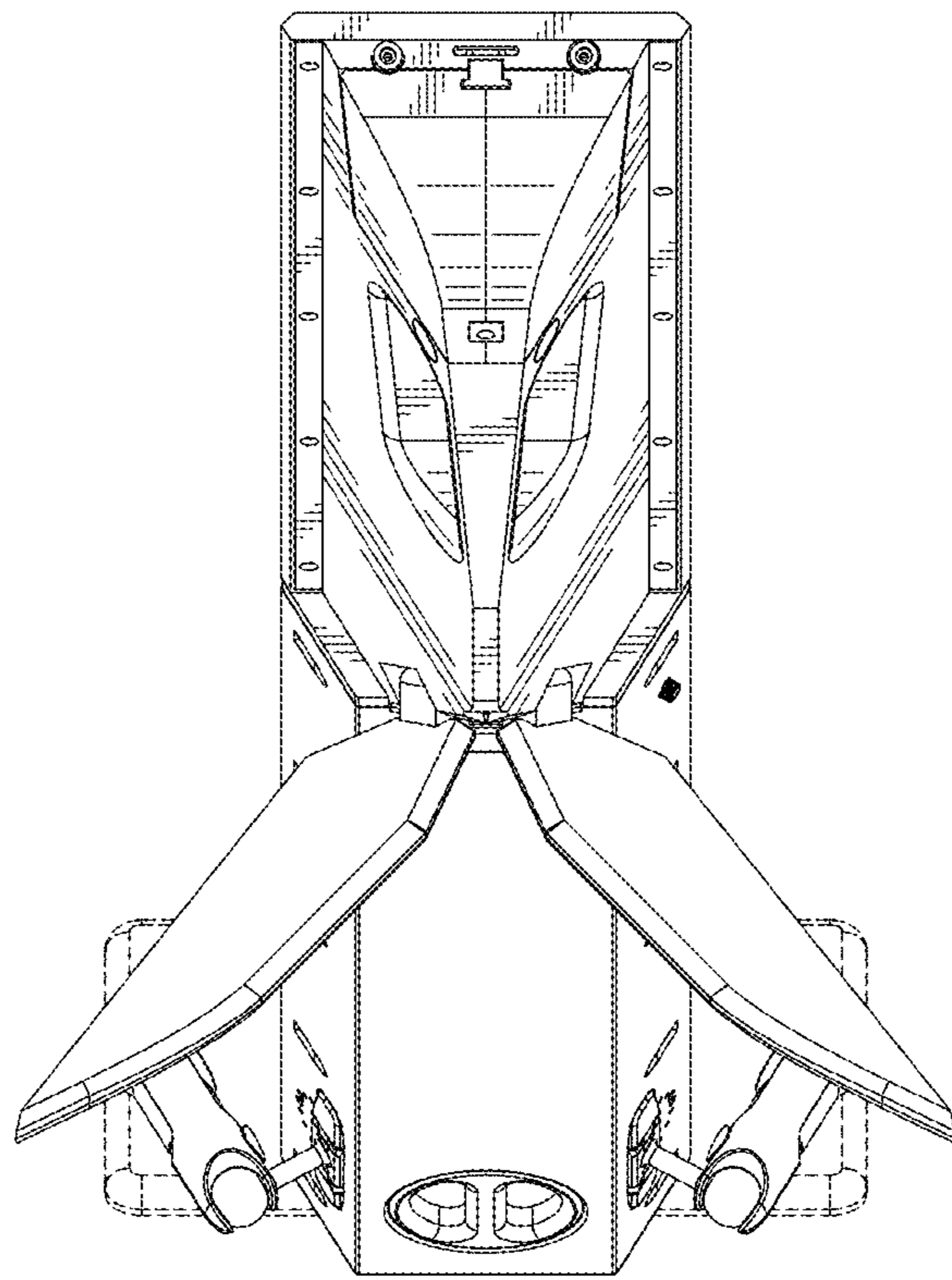


FIG. 14

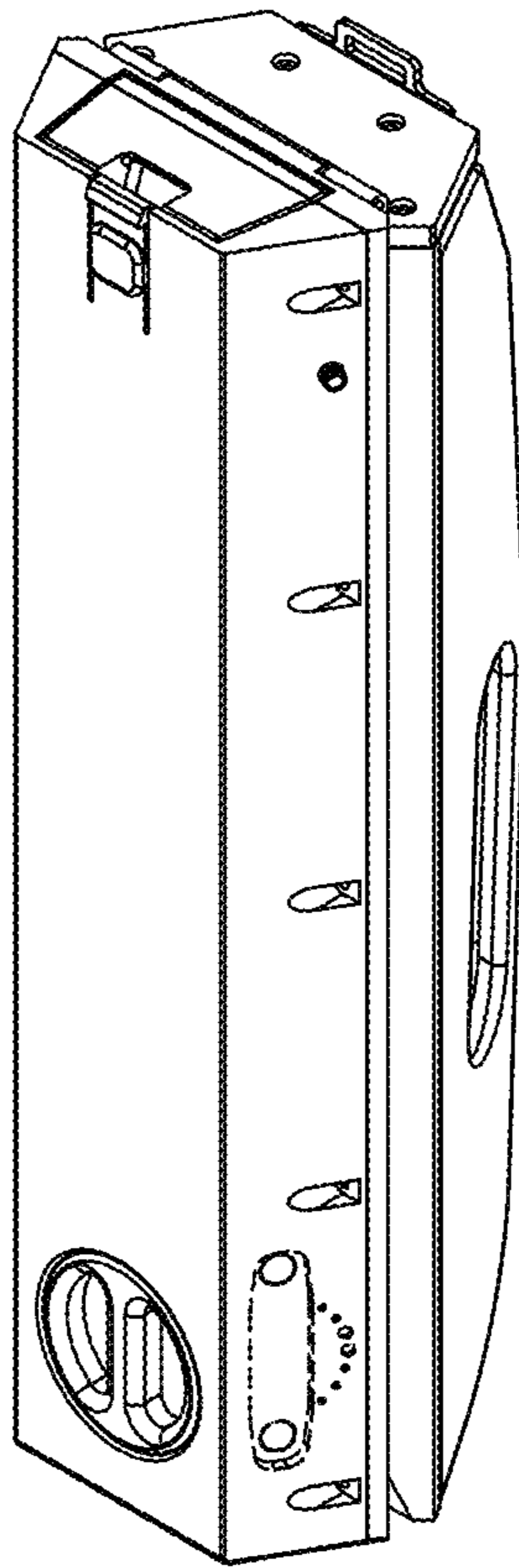


FIG. 15

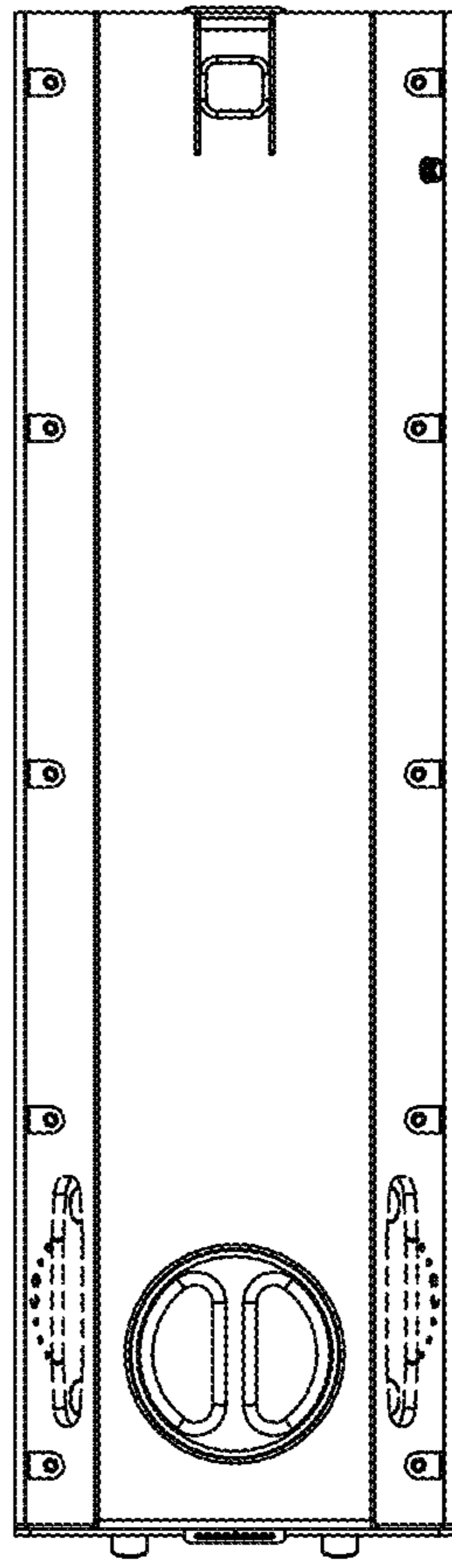


FIG. 16

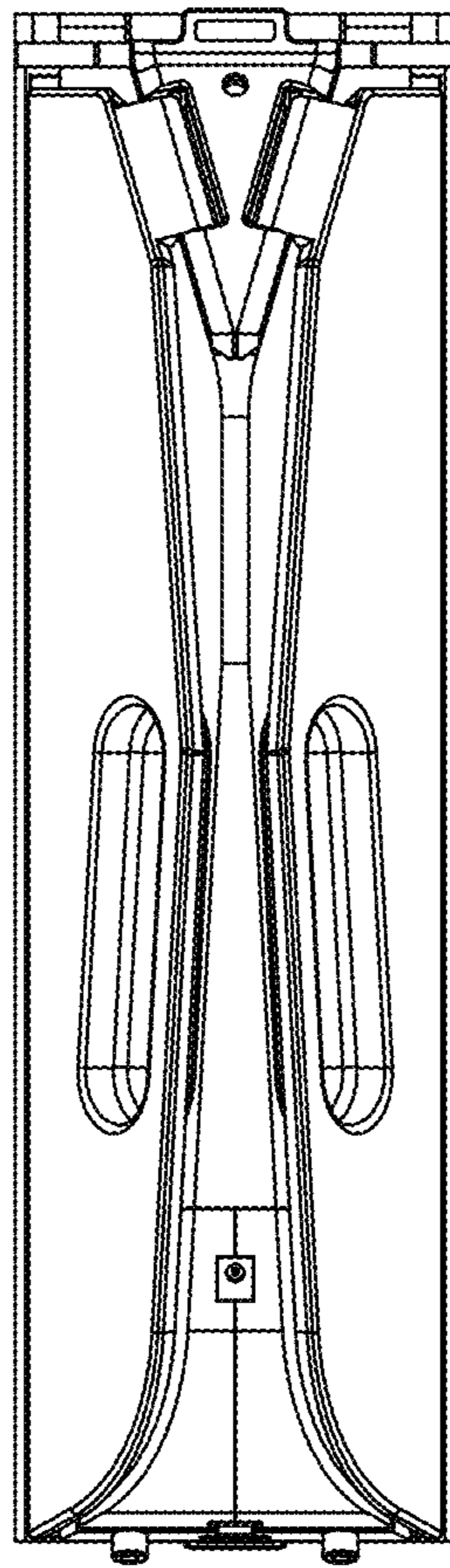


FIG. 17

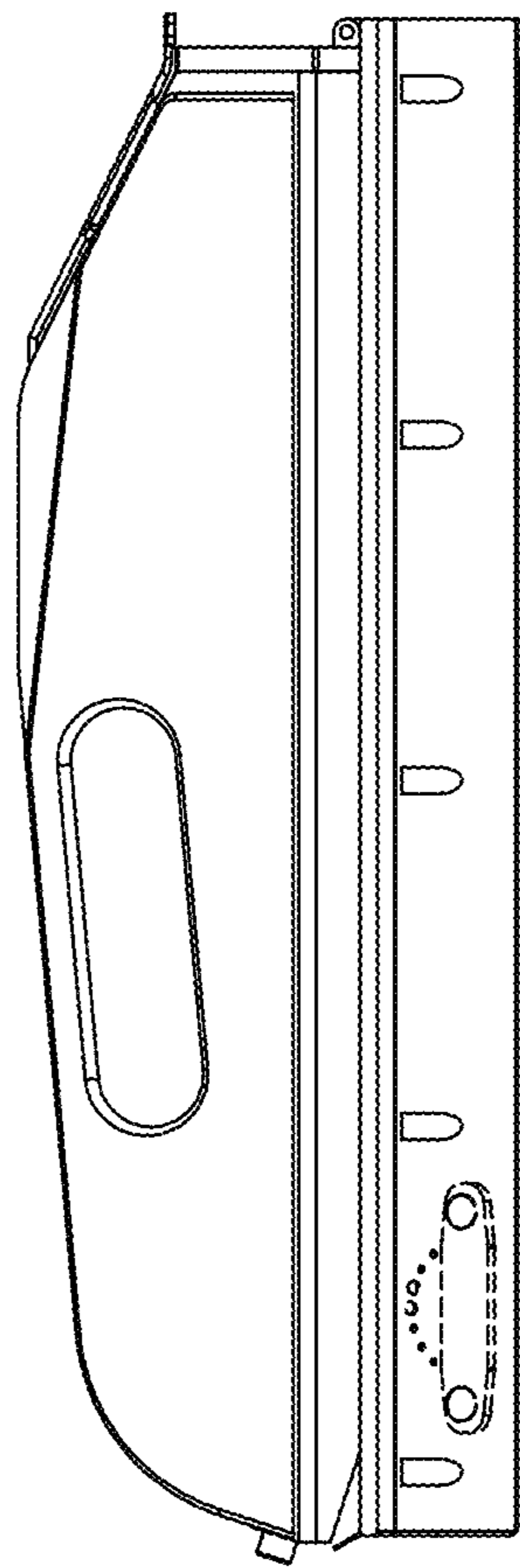


FIG. 18

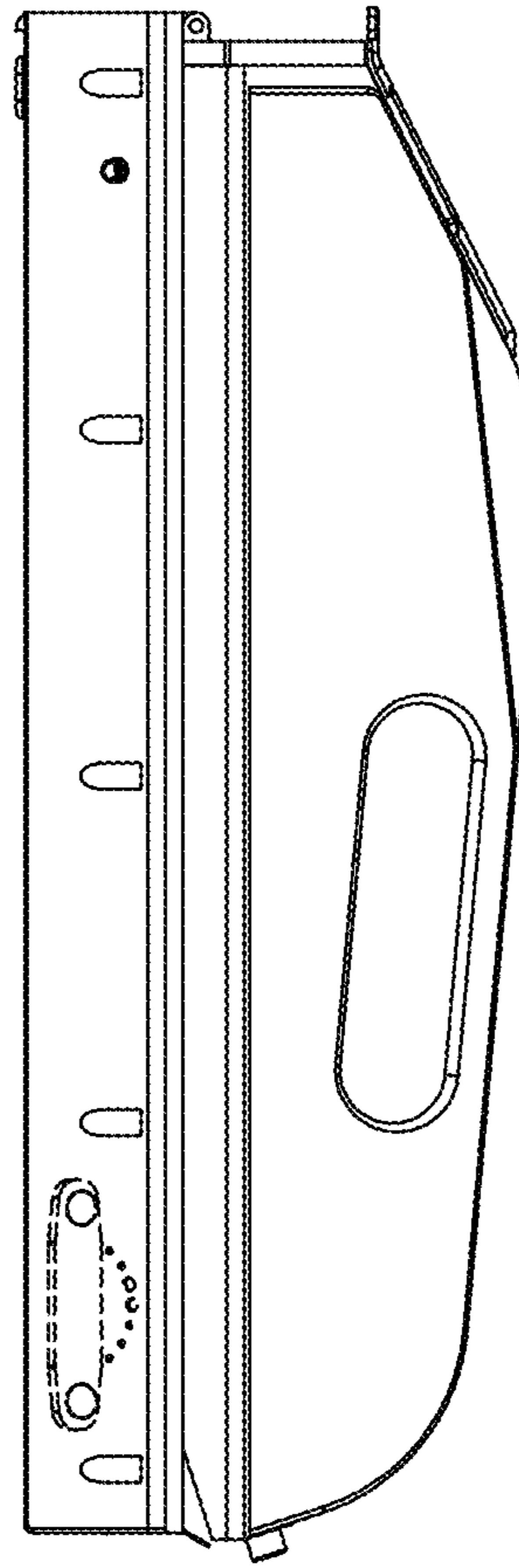


FIG. 19

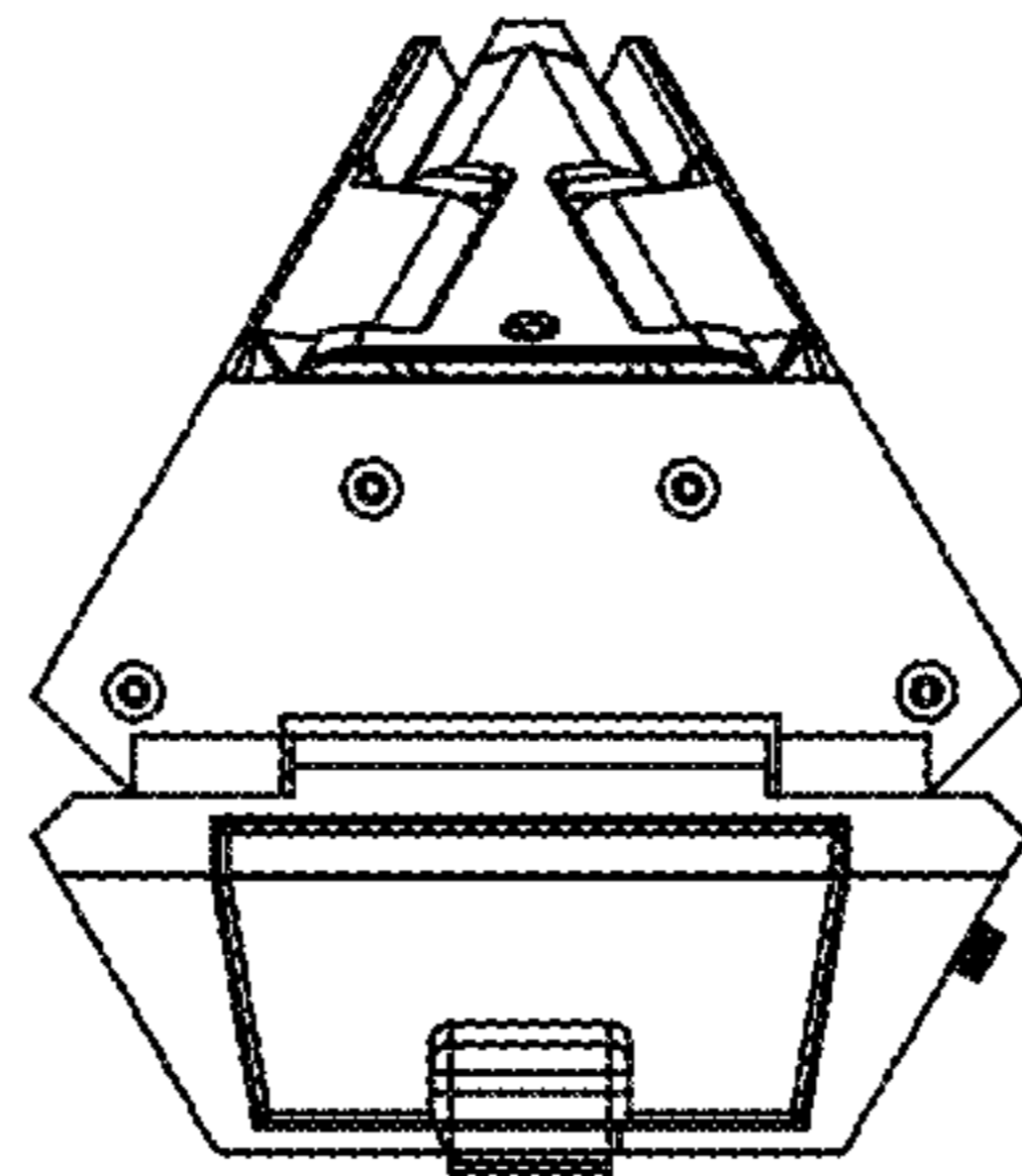


FIG. 20

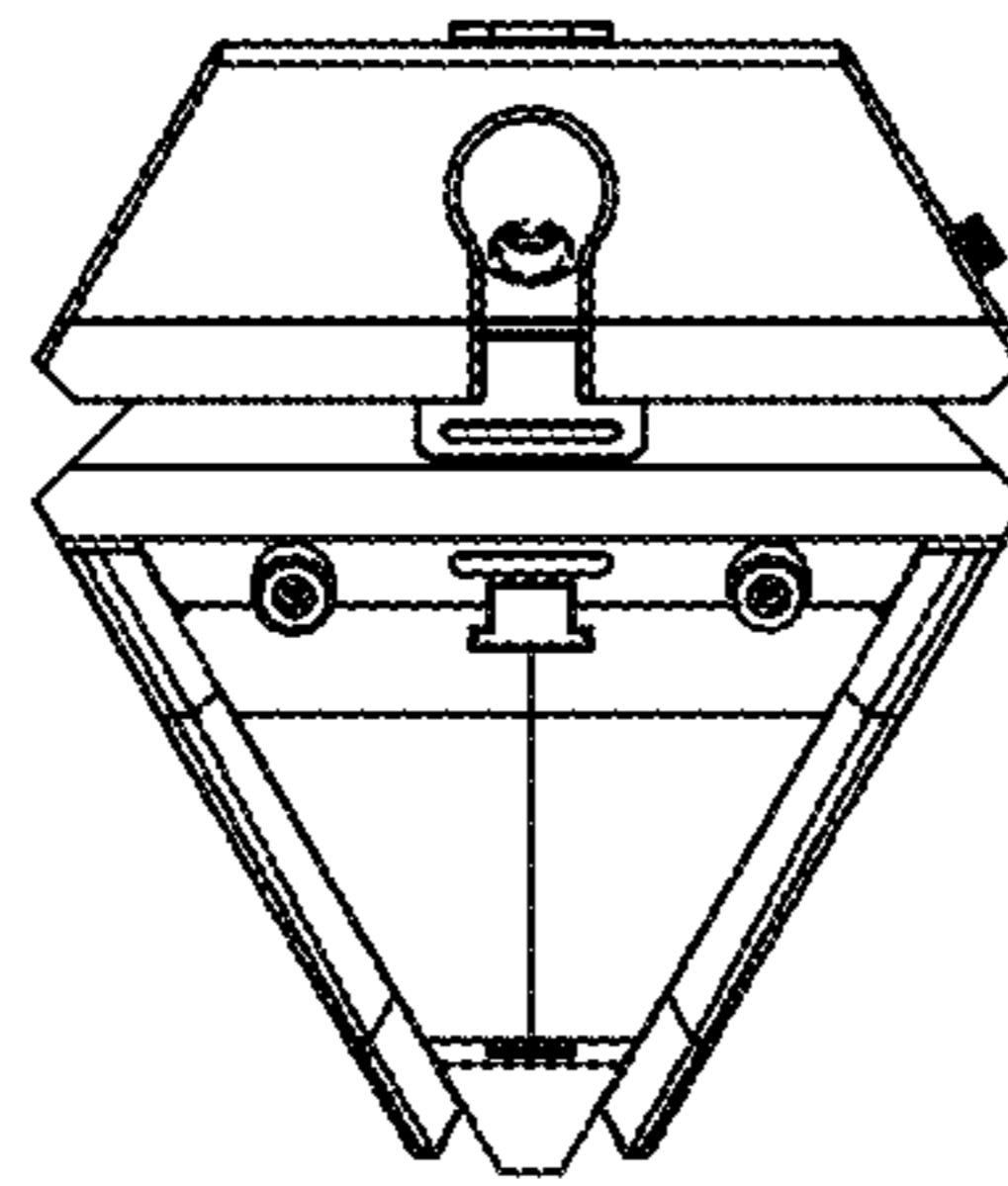


FIG. 21