



US00D719603S

(12) **United States Design Patent**
Hurst

(10) **Patent No.:** **US D719,603 S**

(45) **Date of Patent:** **** Dec. 16, 2014**

(54) **OPTICAL DEVICE STABILIZER**

(76) Inventor: **Harold E. Hurst**, Gordonville, TX (US)

(**) Term: **14 Years**

(21) Appl. No.: **29/431,113**

(22) Filed: **Sep. 4, 2012**

(51) **LOC (10) Cl.** **16-05**

(52) **U.S. Cl.**
USPC **D16/243**

(58) **Field of Classification Search**
USPC D16/242, 243, 244; 224/185, 201, 265,
224/270, 271, 908; 294/139; D24/150, 172
See application file for complete search history.

(56) **References Cited**

U.S. PATENT DOCUMENTS

D137,483 S *	3/1944	Swanson	D16/243
D137,484 S *	3/1944	Swanson	D16/243
2,483,711 A *	10/1949	Roos	396/426
3,105,430 A *	10/1963	Fernelius	396/426
D204,911 S *	5/1966	Adams	D16/243
D211,290 S *	6/1968	Hardy	D16/243
D311,198 S *	10/1990	Kosugi et al.	D16/243
D323,182 S *	1/1992	Fukuda et al.	D16/243
D324,874 S *	3/1992	Kardach	D16/243
D345,573 S *	3/1994	Reppert	D16/243
D392,989 S *	3/1998	Sevra, Jr.	D16/243
D592,235 S *	5/2009	Bryant et al.	D16/243

D640,305 S *	6/2011	Hashiguchi	D16/243
D701,554 S *	3/2014	Huguley	D16/243
D707,744 S *	6/2014	Shimizu et al.	D16/206

* cited by examiner

Primary Examiner — Ian Simmons

Assistant Examiner — Carissa C Fitts

(57) **CLAIM**

The ornamental design for an optical device stabilizer, as shown and described.

DESCRIPTION

FIG. 1 is a first side view of an optical device stabilizer, showing my new design;

FIG. 2 is a second side view thereof, which is opposite that shown in (FIG. 1);

FIG. 3 is a first end view of my optical device stabilizer;

FIG. 4 is a second end view thereof, which is opposite that shown in (FIG. 3);

FIG. 5 is a top view of my optical device stabilizer;

FIG. 6 is a bottom view thereof, which is opposite that shown in (FIG. 5);

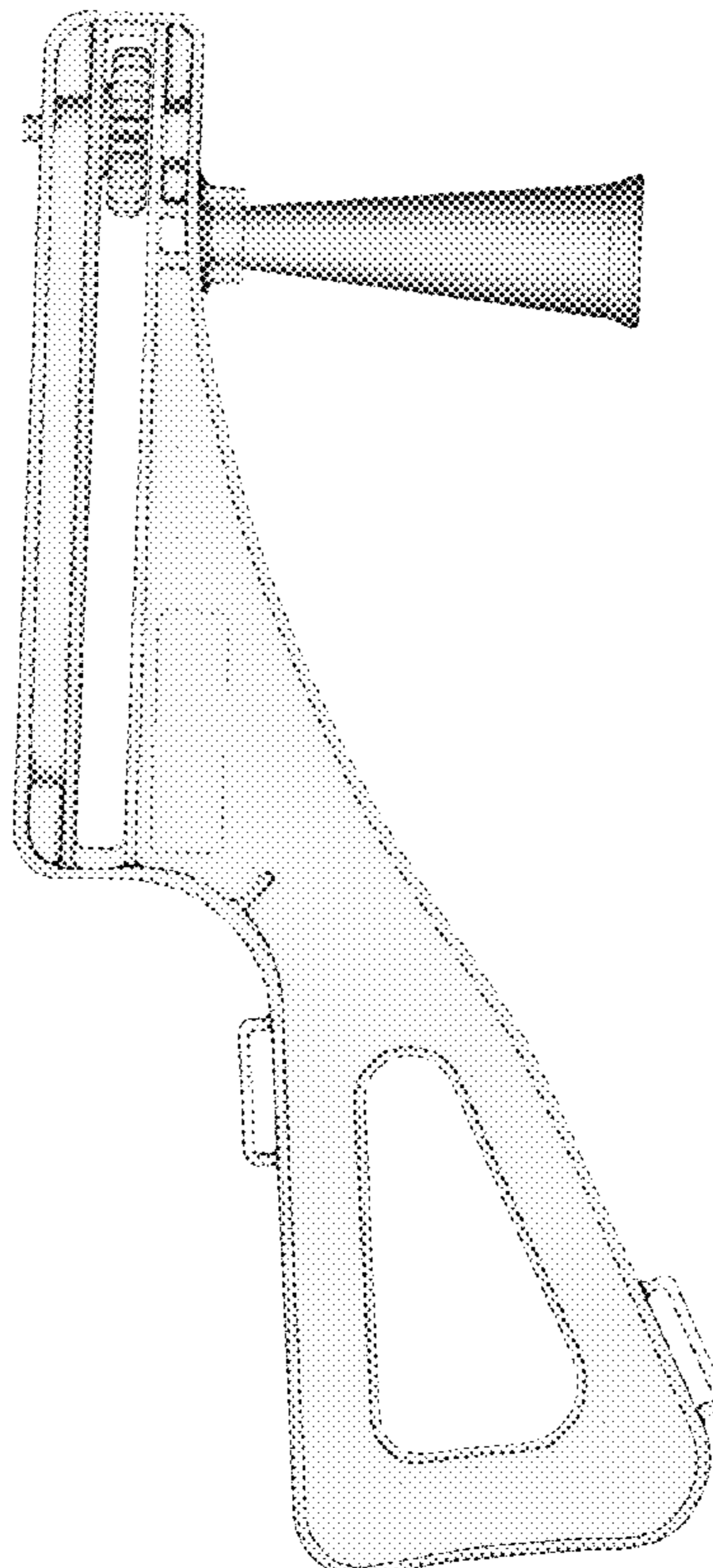
FIG. 7 is a first front perspective view of my optical device stabilizer;

FIG. 8 is a second front perspective view thereof;

FIG. 9 is a rear perspective view of my optical device stabilizer; and,

FIG. 10 is a side perspective view thereof.

1 Claim, 7 Drawing Sheets



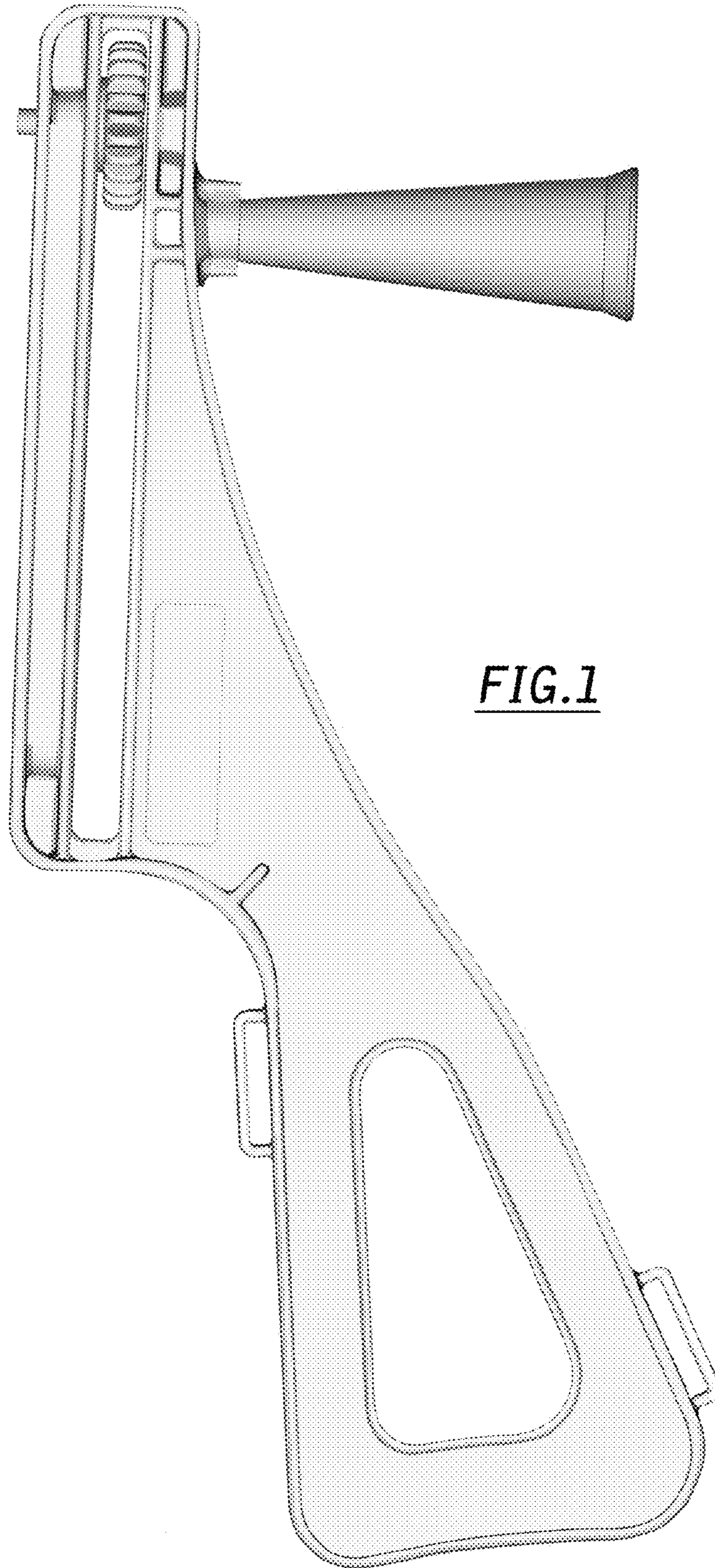


FIG.1

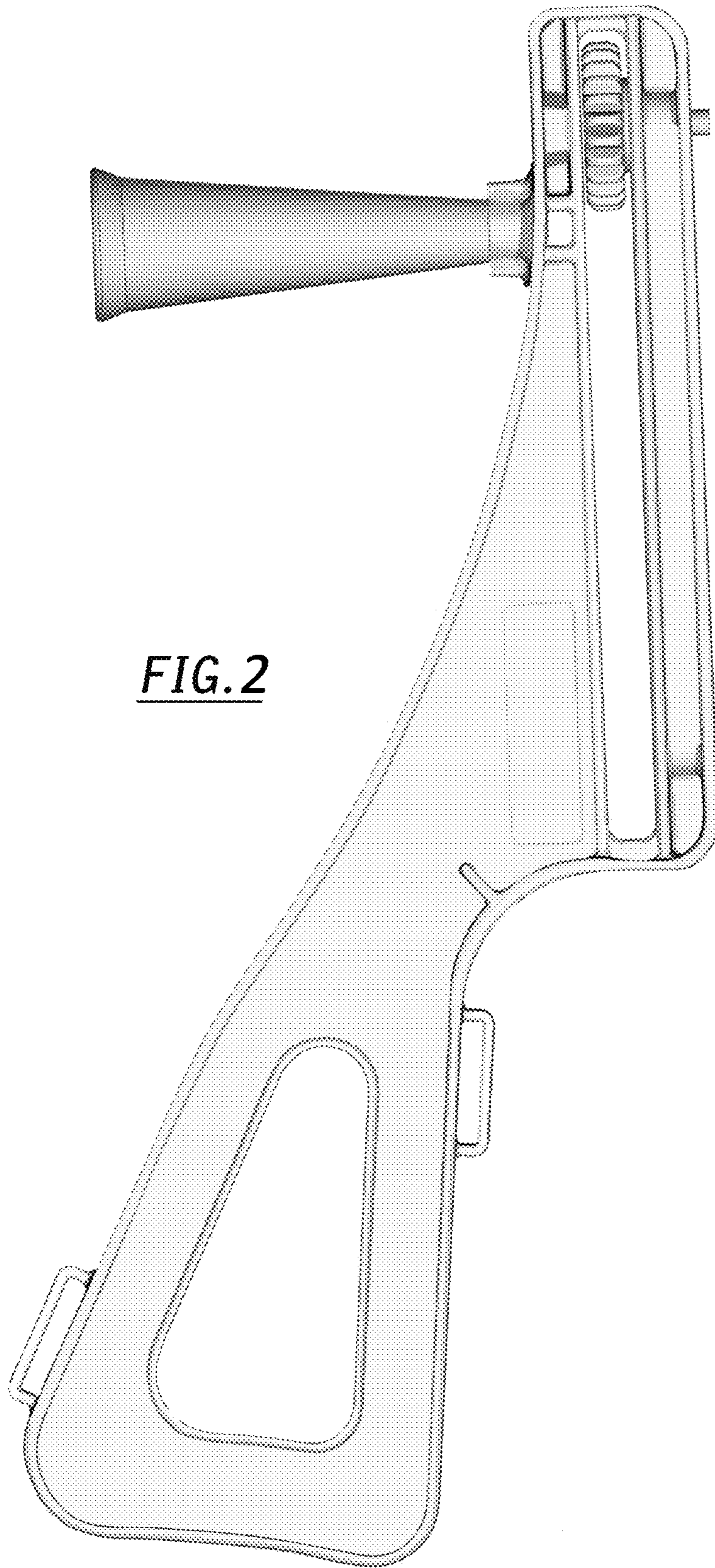


FIG. 2

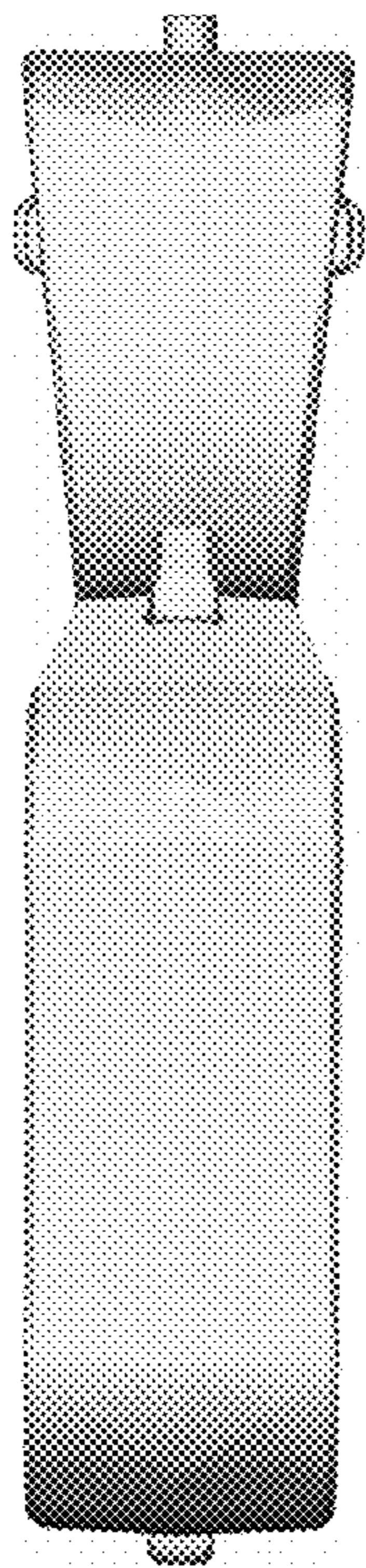


FIG. 3

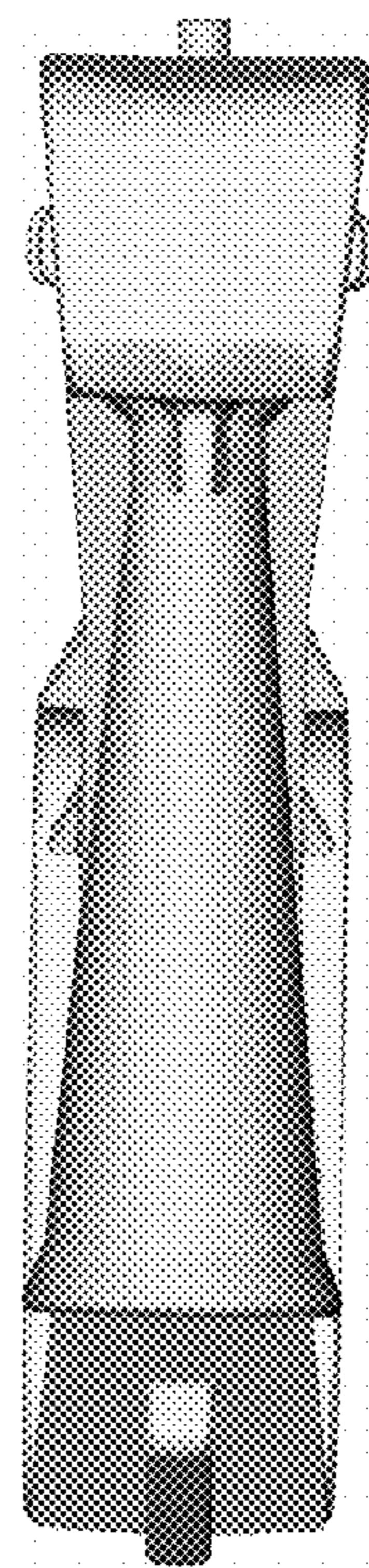


FIG. 4

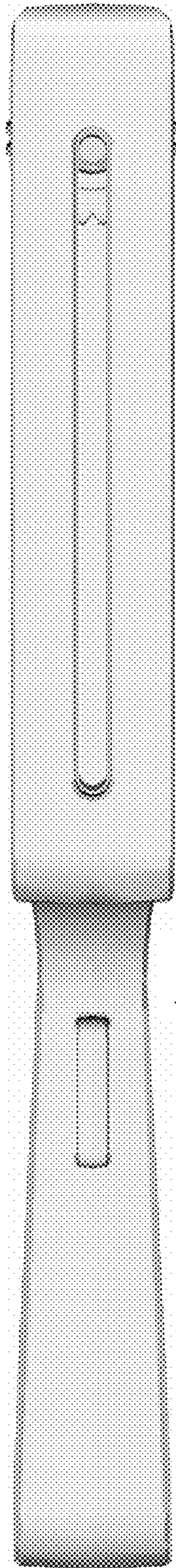


FIG. 5

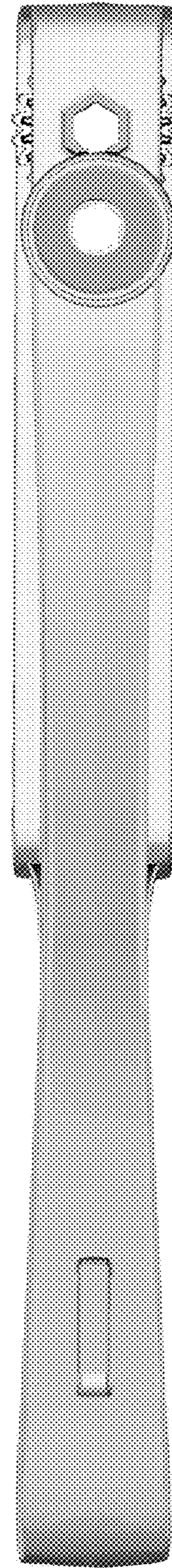


FIG. 6

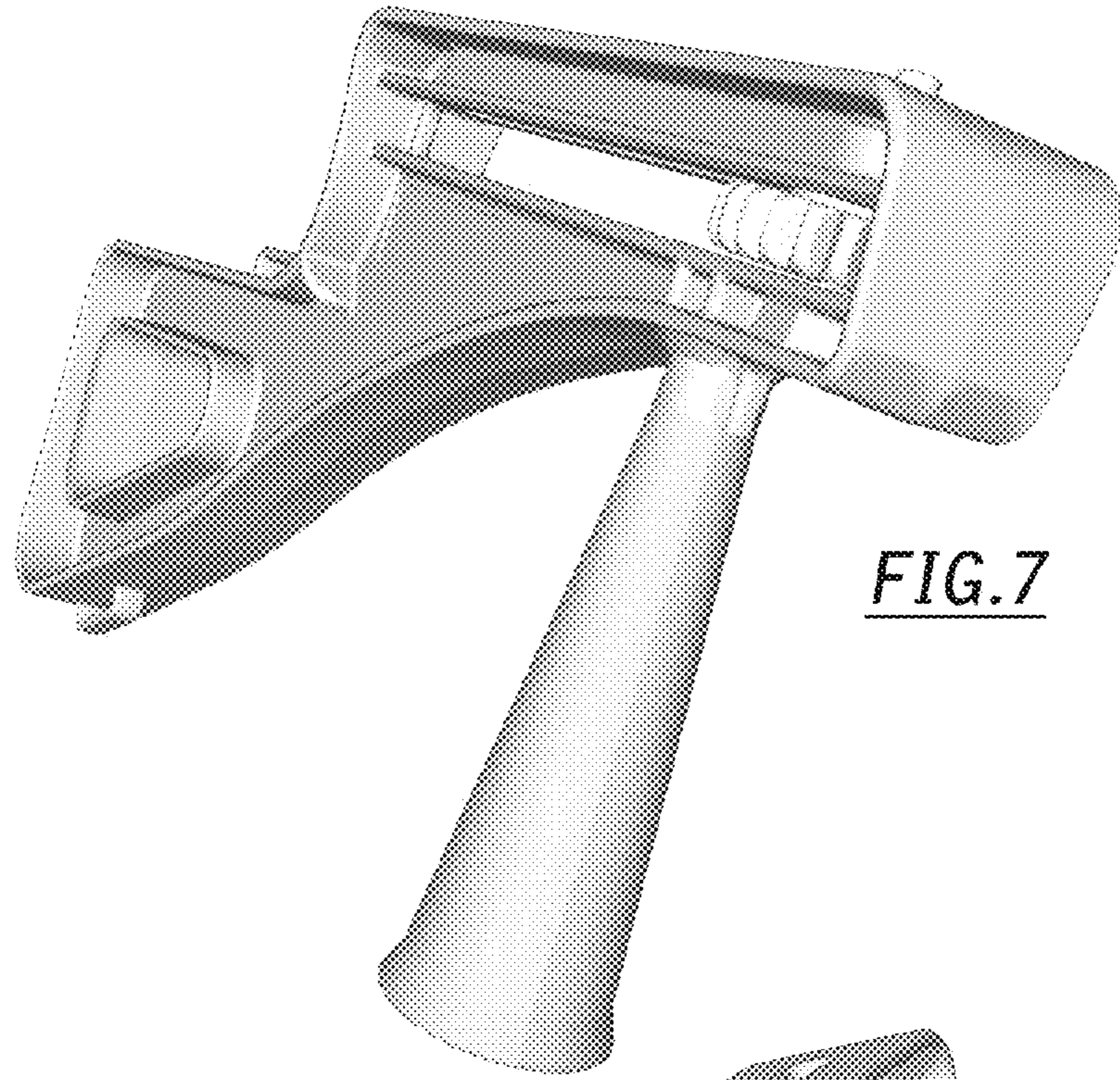


FIG. 7

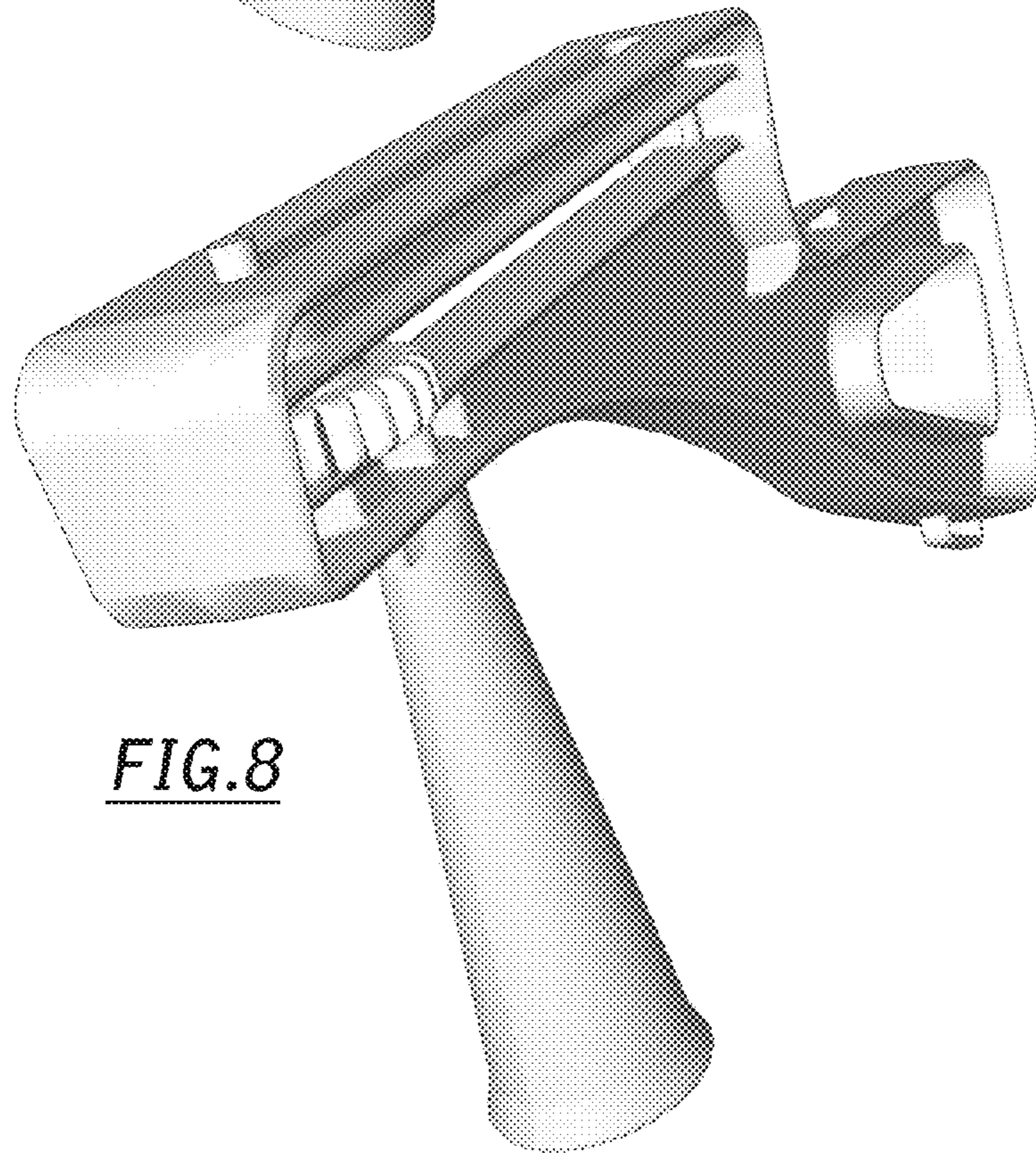


FIG. 8

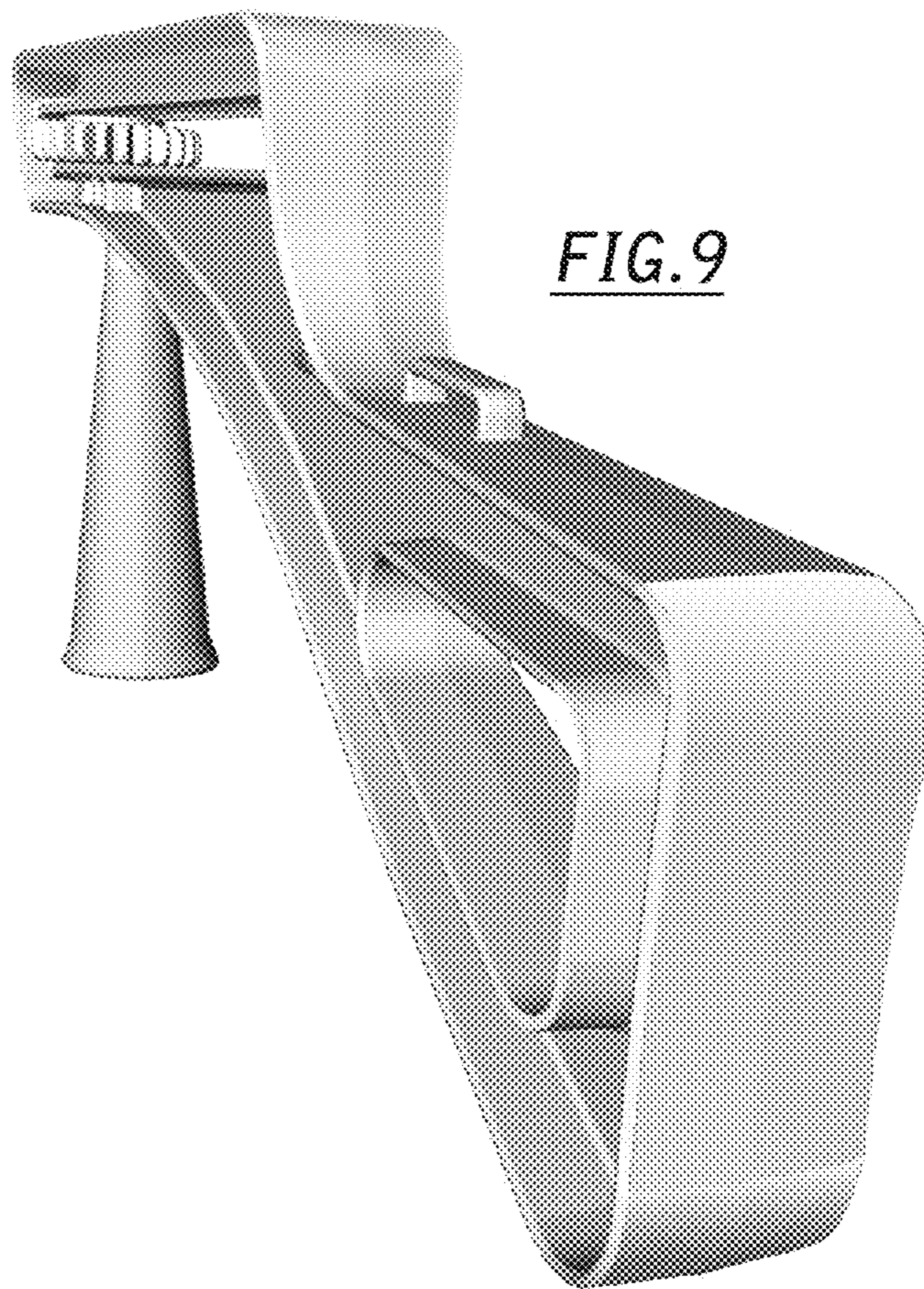


FIG. 9

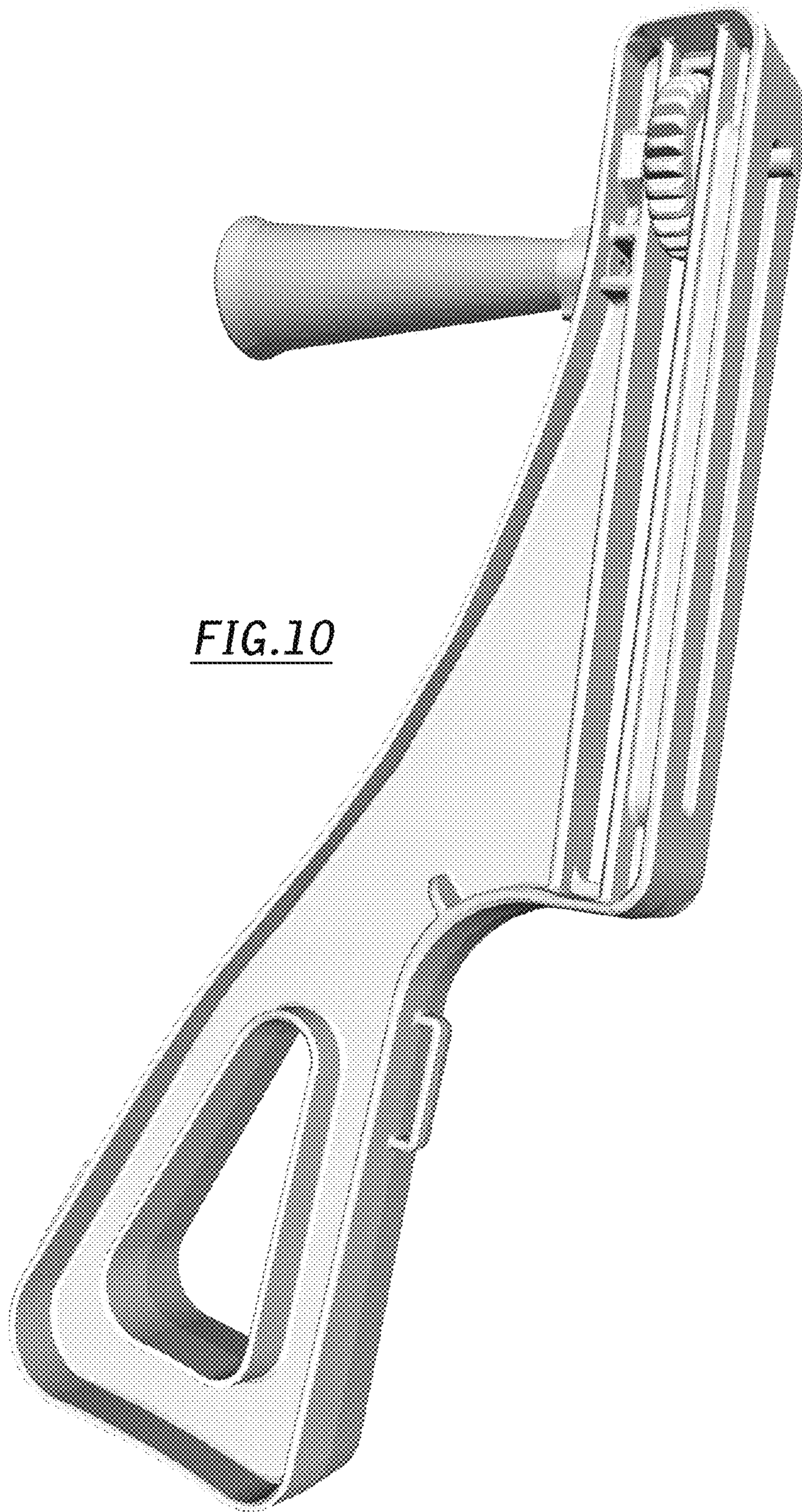


FIG.10