



US00D719602S

(12) **United States Design Patent**
Tada

(10) **Patent No.:** **US D719,602 S**
(45) **Date of Patent:** **** Dec. 16, 2014**

(54) **PROJECTOR EQUIPPED WITH CAMERA**

(71) Applicant: **Fujitsu Limited**, Kawasaki (JP)

(72) Inventor: **Masafumi Tada**, Tokyo (JP)

(73) Assignee: **Fujitsu Limited**, Kawasaki (JP)

(**) Term: **14 Years**

(21) Appl. No.: **29/468,723**

(22) Filed: **Oct. 2, 2013**

(30) **Foreign Application Priority Data**

Apr. 2, 2013 (JP) 2013-007402

(51) **LOC (10) Cl.** **16-02**

(52) **U.S. Cl.**
USPC **D16/225**; D16/208

(58) **Field of Classification Search**
USPC D16/205, 208, 214, 221, 225, 229–231,
D16/233–234; D21/514; 353/30–31, 44,
353/69–70, 79, 115, 119, 122; 345/156,
345/173; 348/373–376
See application file for complete search history.

(56) **References Cited**

U.S. PATENT DOCUMENTS

6,072,600 A * 6/2000 Wertsberger D16/229
6,334,684 B1 * 1/2002 Yoshida et al. 353/79
7,001,024 B2 * 2/2006 Kitaguchi et al. 353/70
7,445,342 B2 * 11/2008 Garg 353/79
D617,361 S * 6/2010 Simonsen et al. D16/225

7,824,039 B2 * 11/2010 Takito et al. 353/69
8,123,361 B2 * 2/2012 Nagashima et al. 353/30
D662,533 S * 6/2012 Hsiung et al. D16/225
2007/0171375 A1 * 7/2007 Mizuuchi et al. 353/30
2013/0070213 A1 * 3/2013 Chikaoka 353/69
2013/0127716 A1 * 5/2013 Nagashima 353/31

* cited by examiner

Primary Examiner — Wan Laymon

(74) *Attorney, Agent, or Firm* — Staas & Halsey LLP

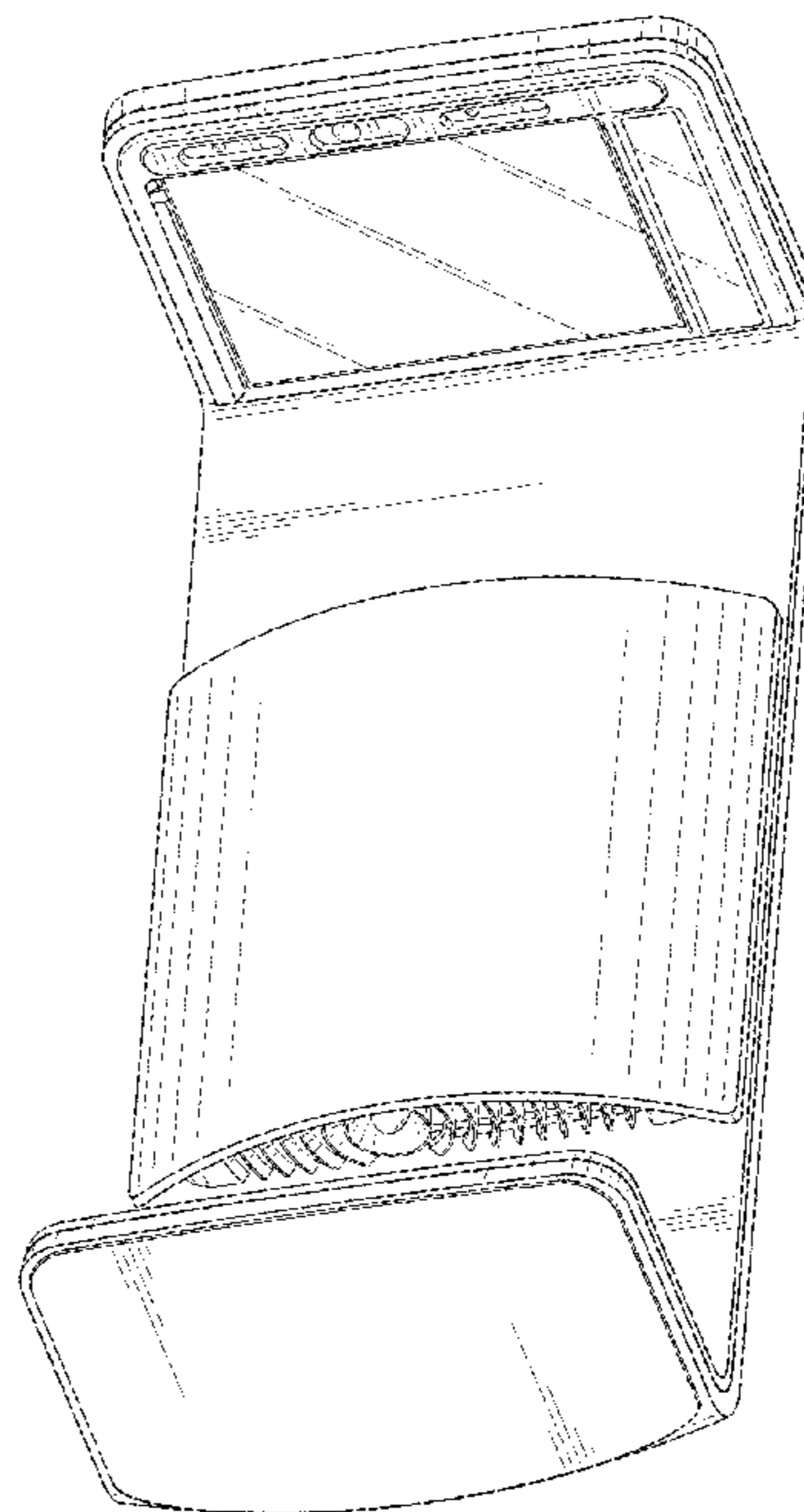
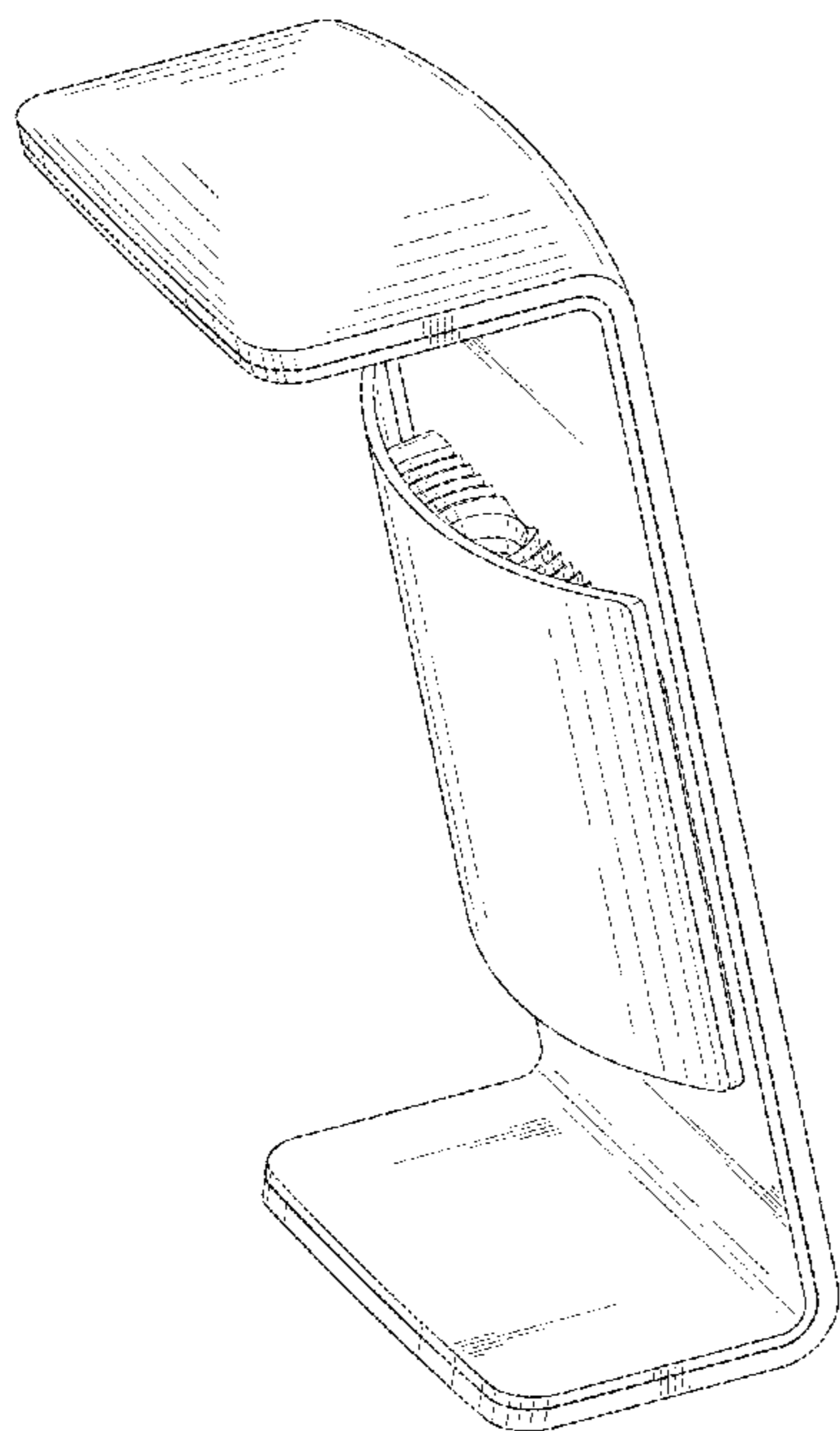
(57) **CLAIM**

The ornamental design for a projector equipped with a camera, as shown and described.

DESCRIPTION

FIG. 1 is a perspective view of front, top and right side of a projector equipped with a camera showing my new design; FIG. 2 is a perspective view of front, bottom and right side thereof; FIG. 3 is a perspective view of rear, top and right side thereof; FIG. 4 is a front view thereof; FIG. 5 is a rear view thereof; FIG. 6 is a left side view thereof; FIG. 7 is a right side view thereof; FIG. 8 is a top view thereof; FIG. 9 is a bottom view thereof; FIG. 10 is a perspective view of usage thereof; FIG. 11 is a perspective view of usage thereof; and, FIG. 12 is a perspective view of usage thereof. The broken lines shown are included for the purpose of illustrating the unclaimed portions of a projector equipped with a camera and form no part of the claimed design.

1 Claim, 11 Drawing Sheets



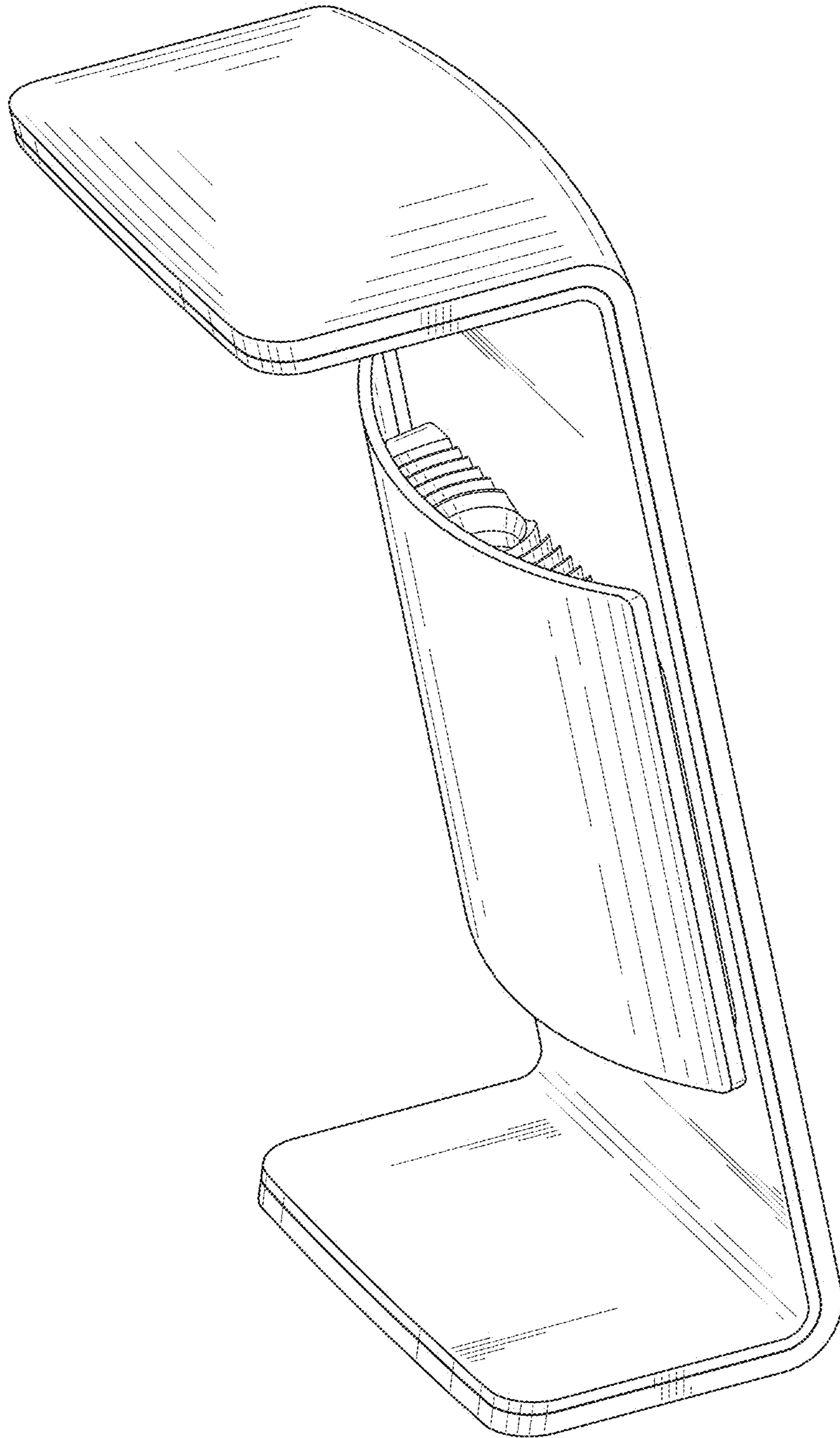


FIG. 1

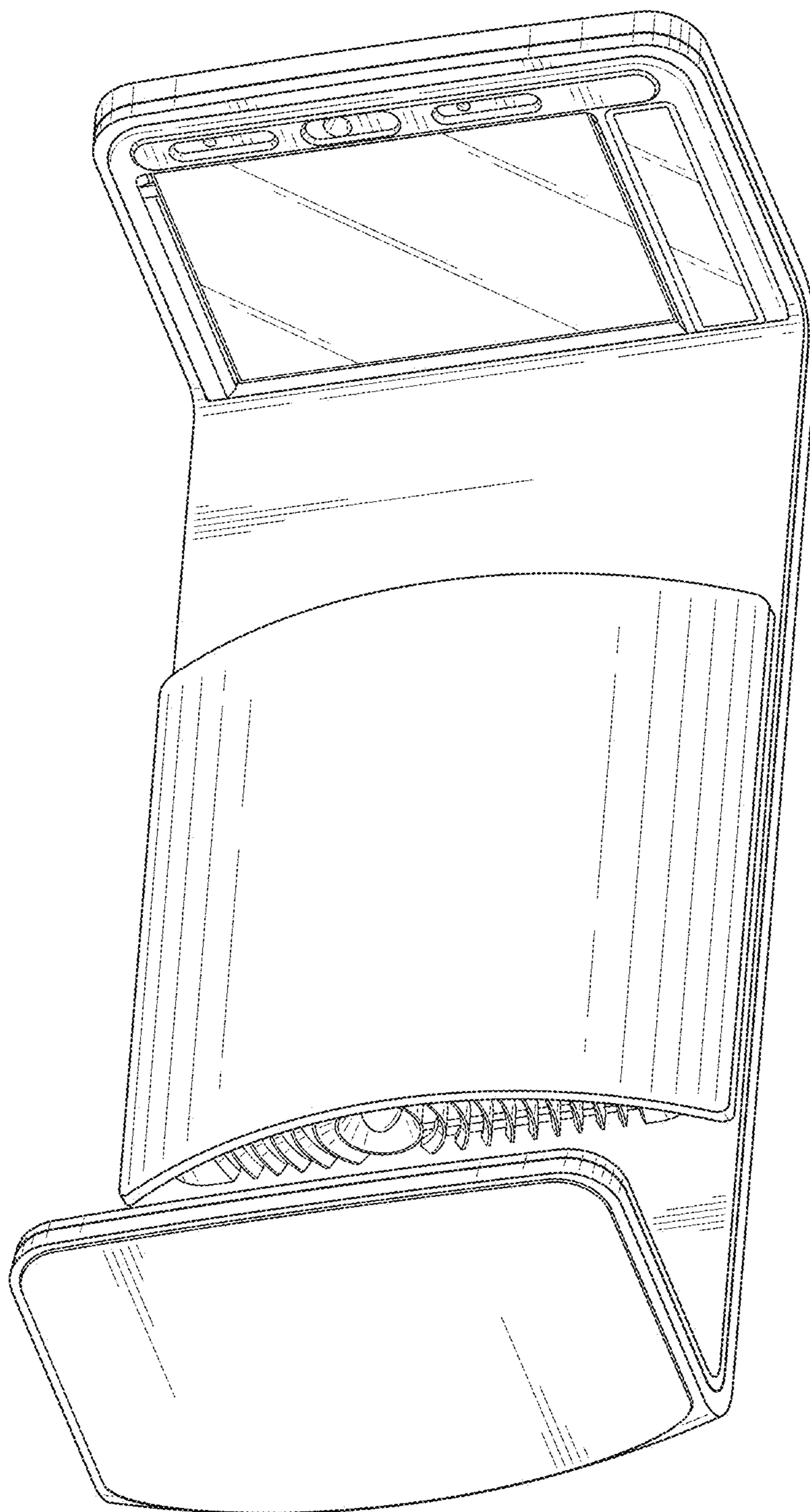


FIG. 2

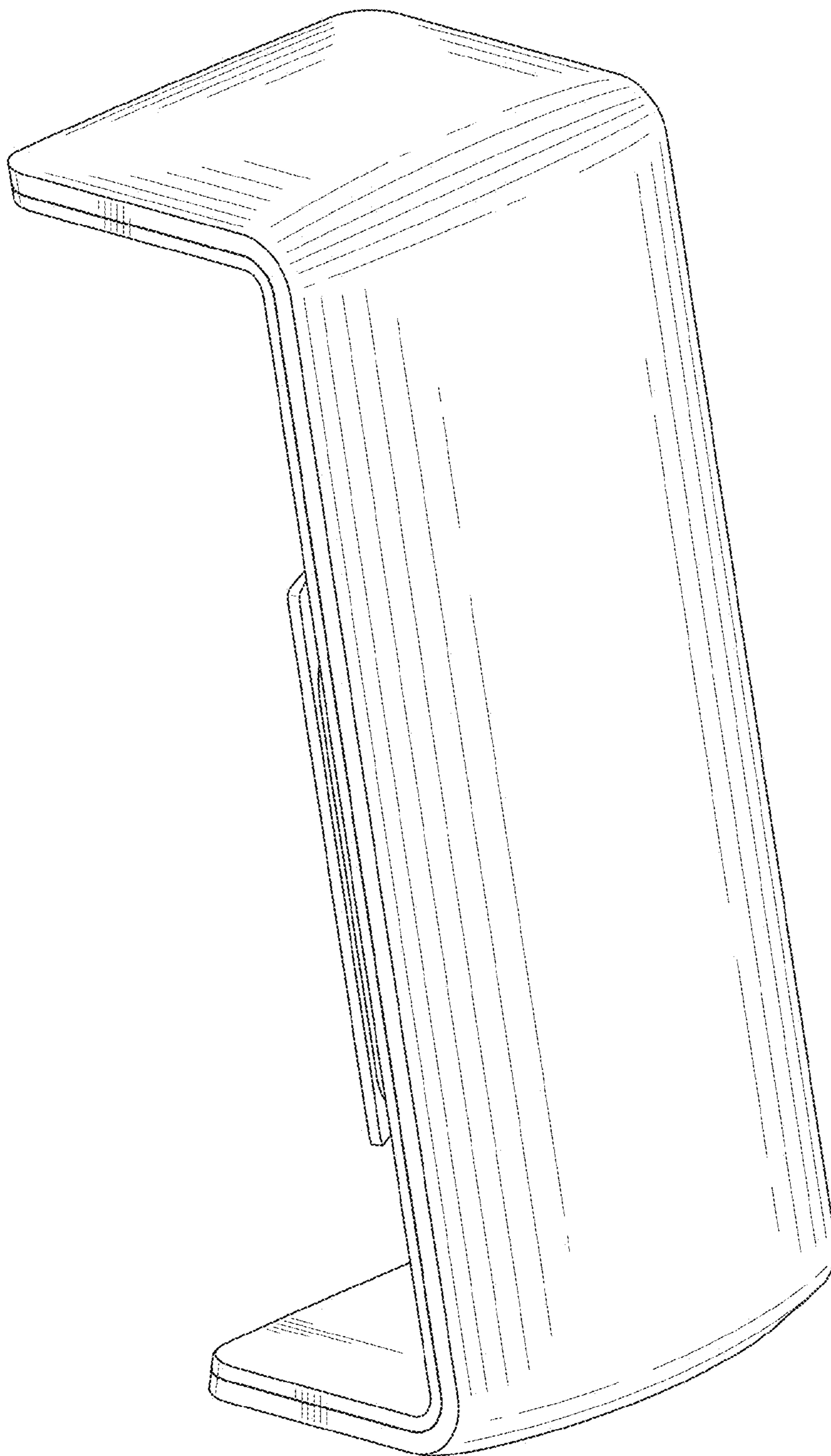


FIG. 3

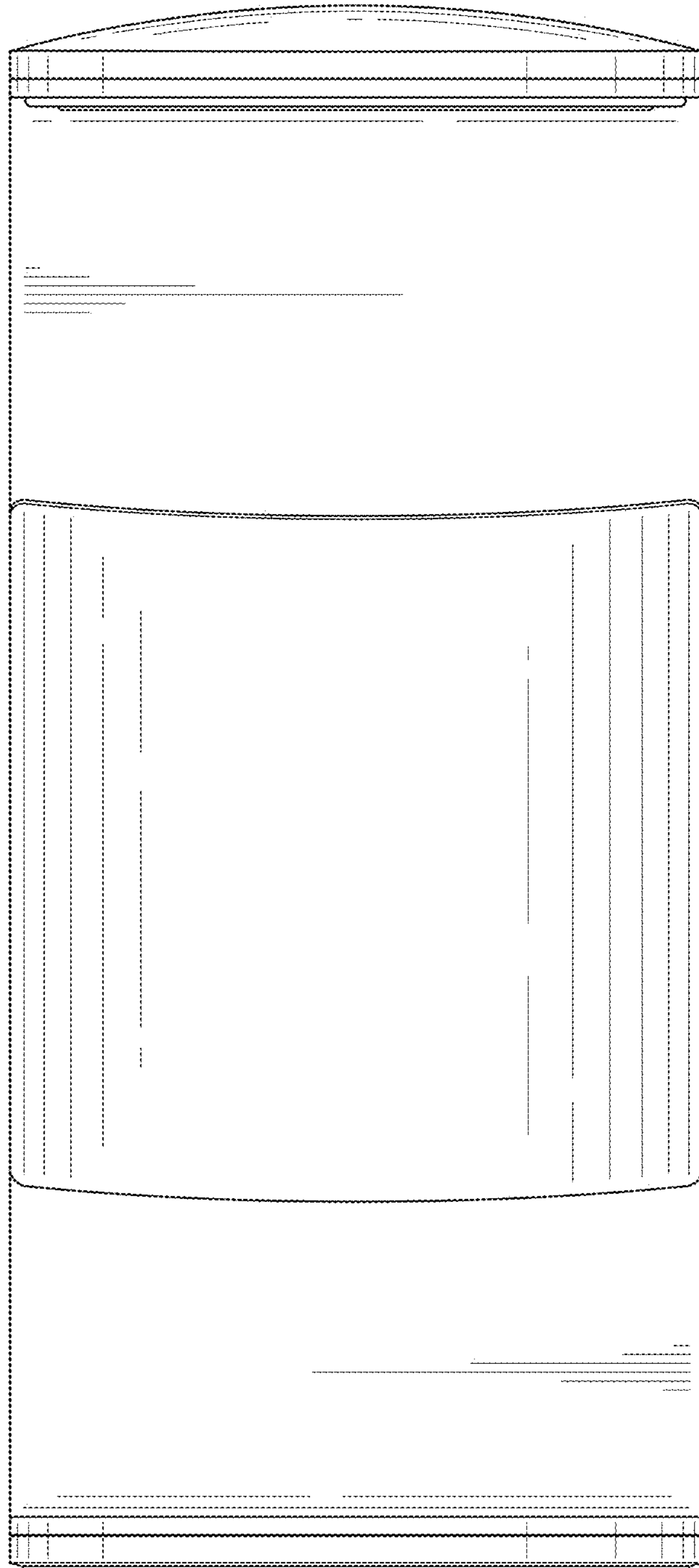


FIG. 4

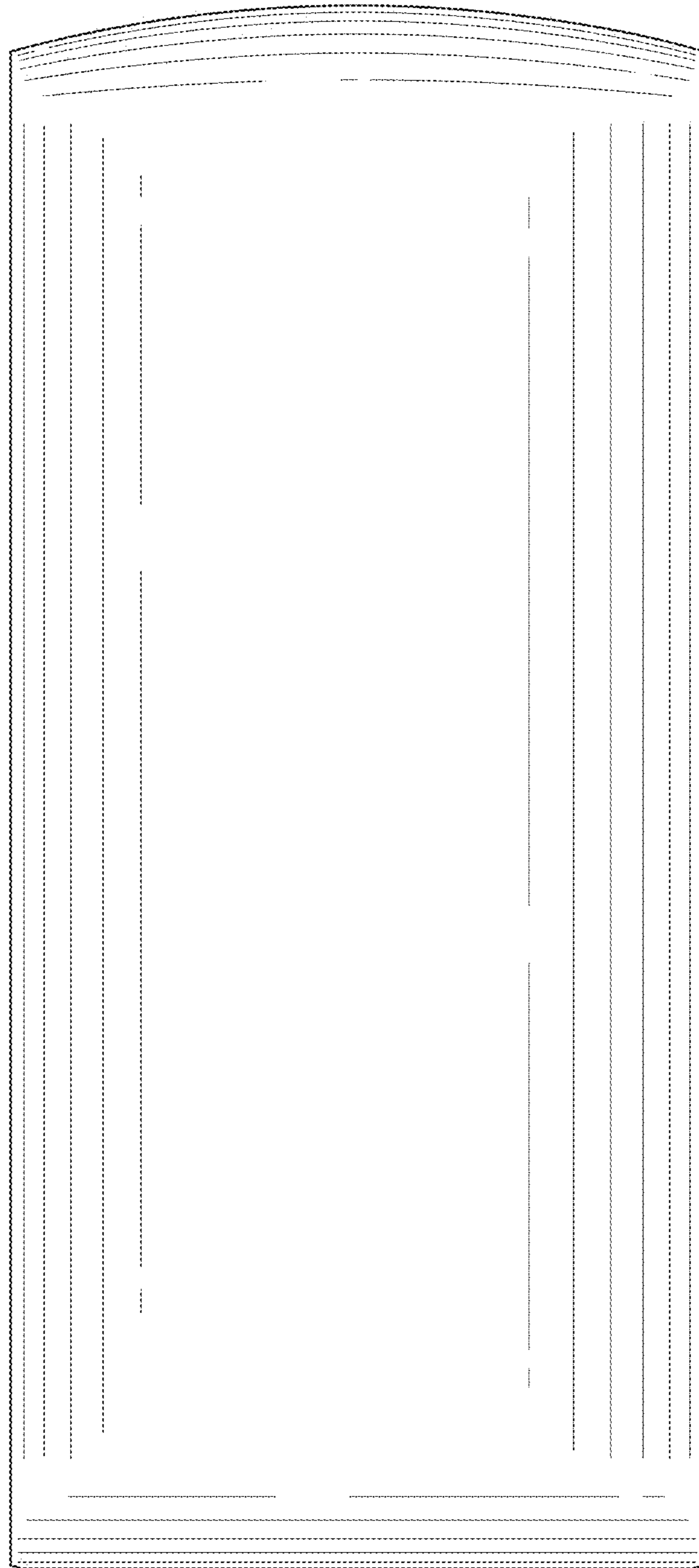


FIG. 5

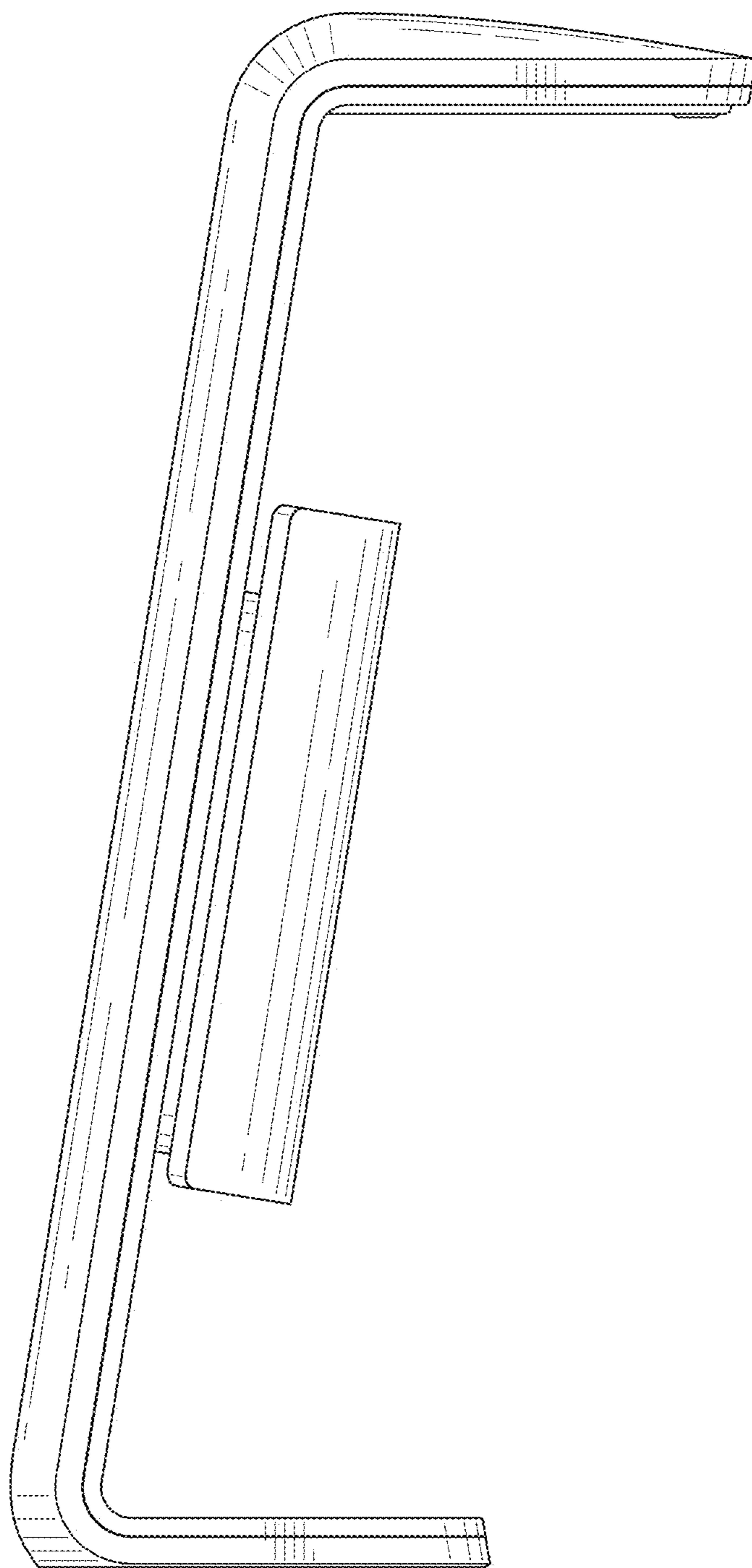


FIG. 6

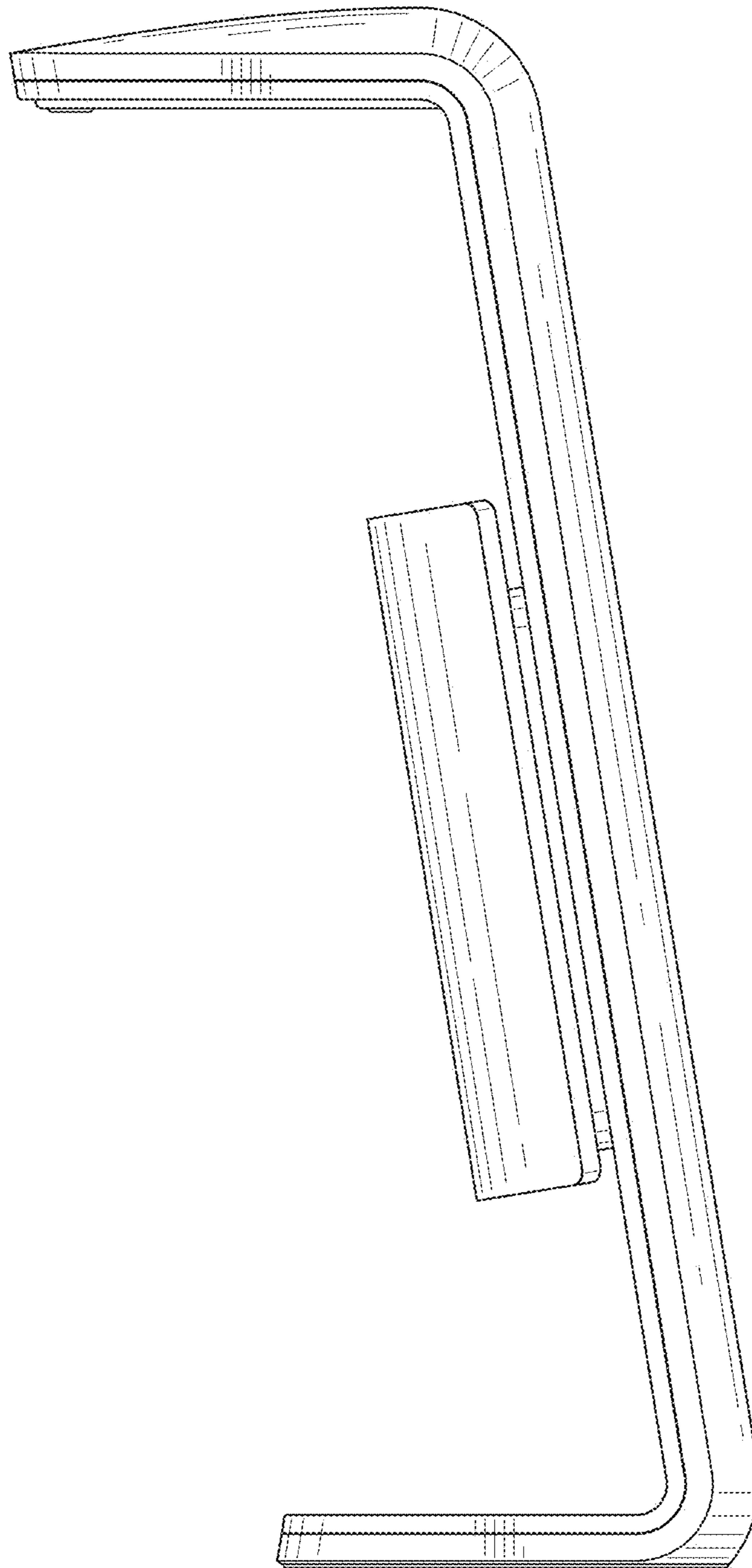


FIG. 7

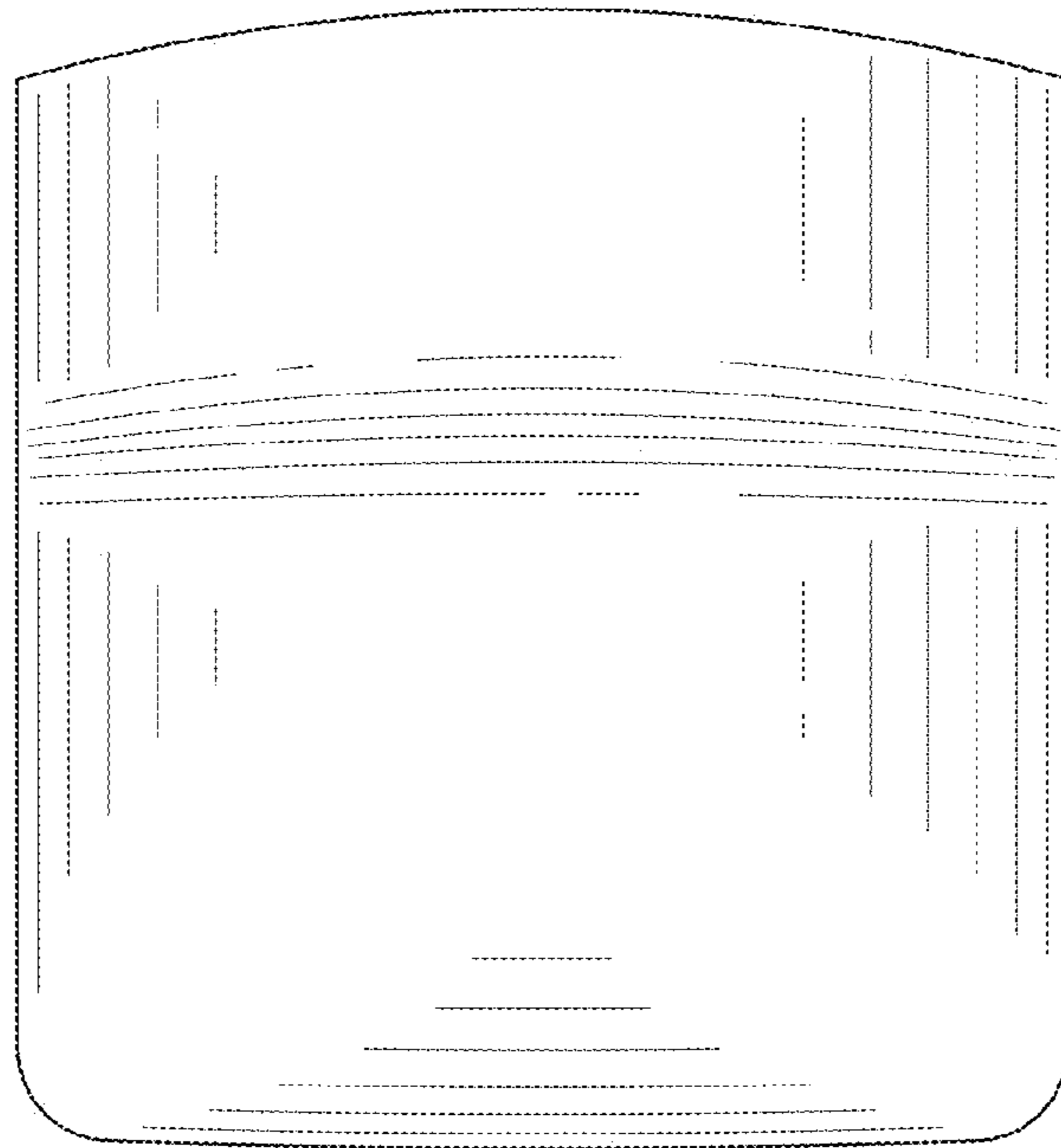


FIG. 8

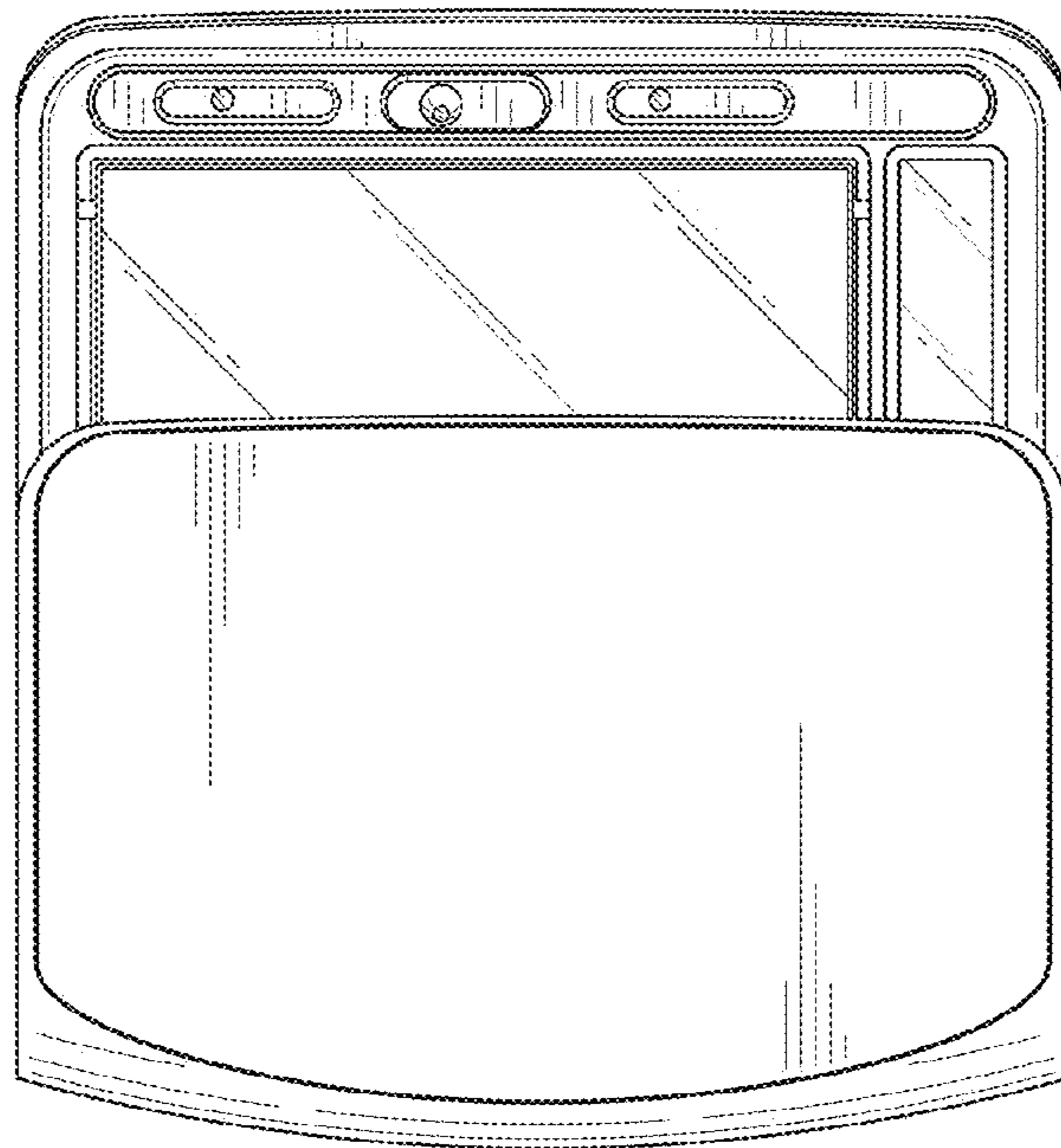


FIG. 9

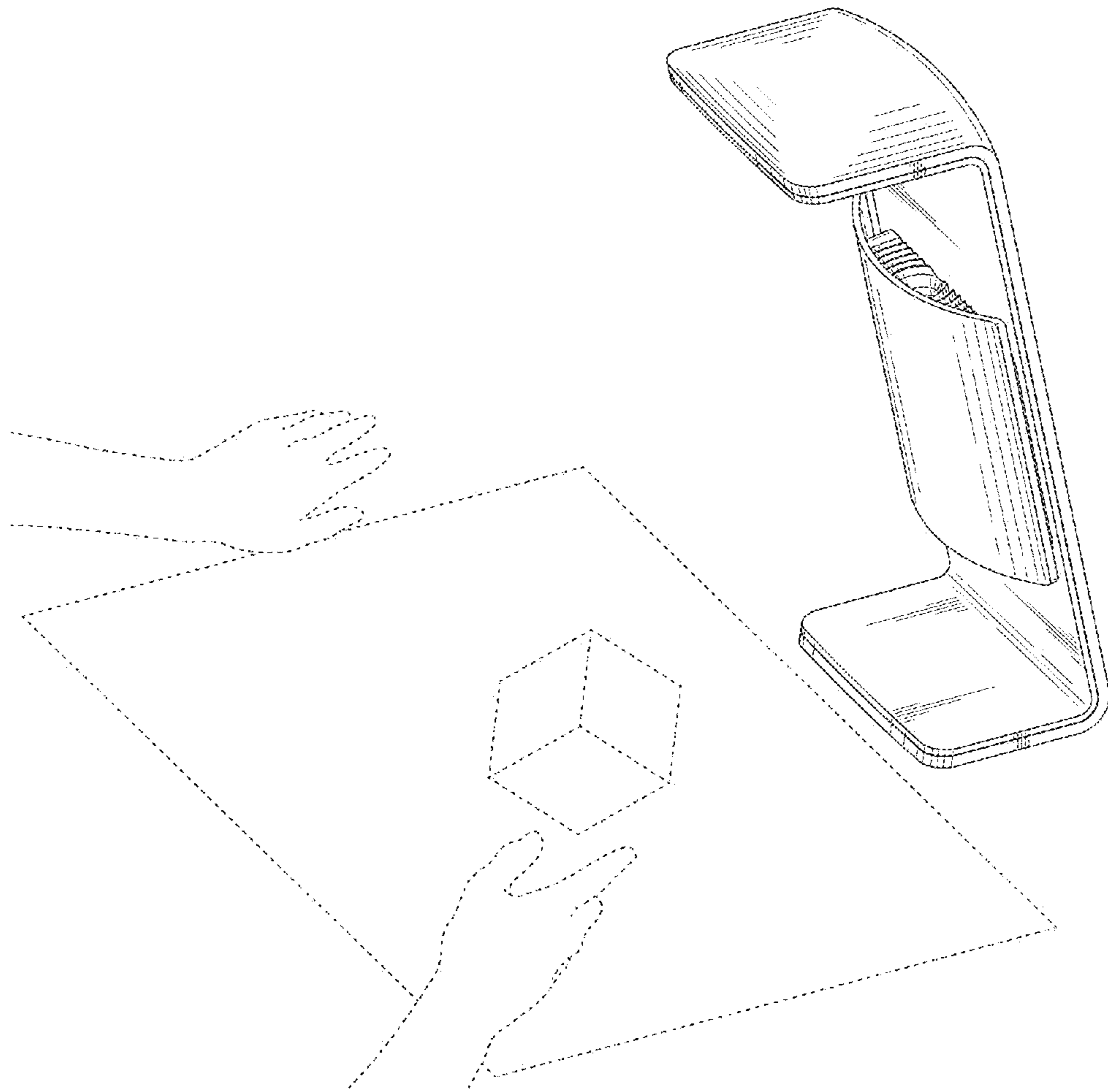


FIG. 10

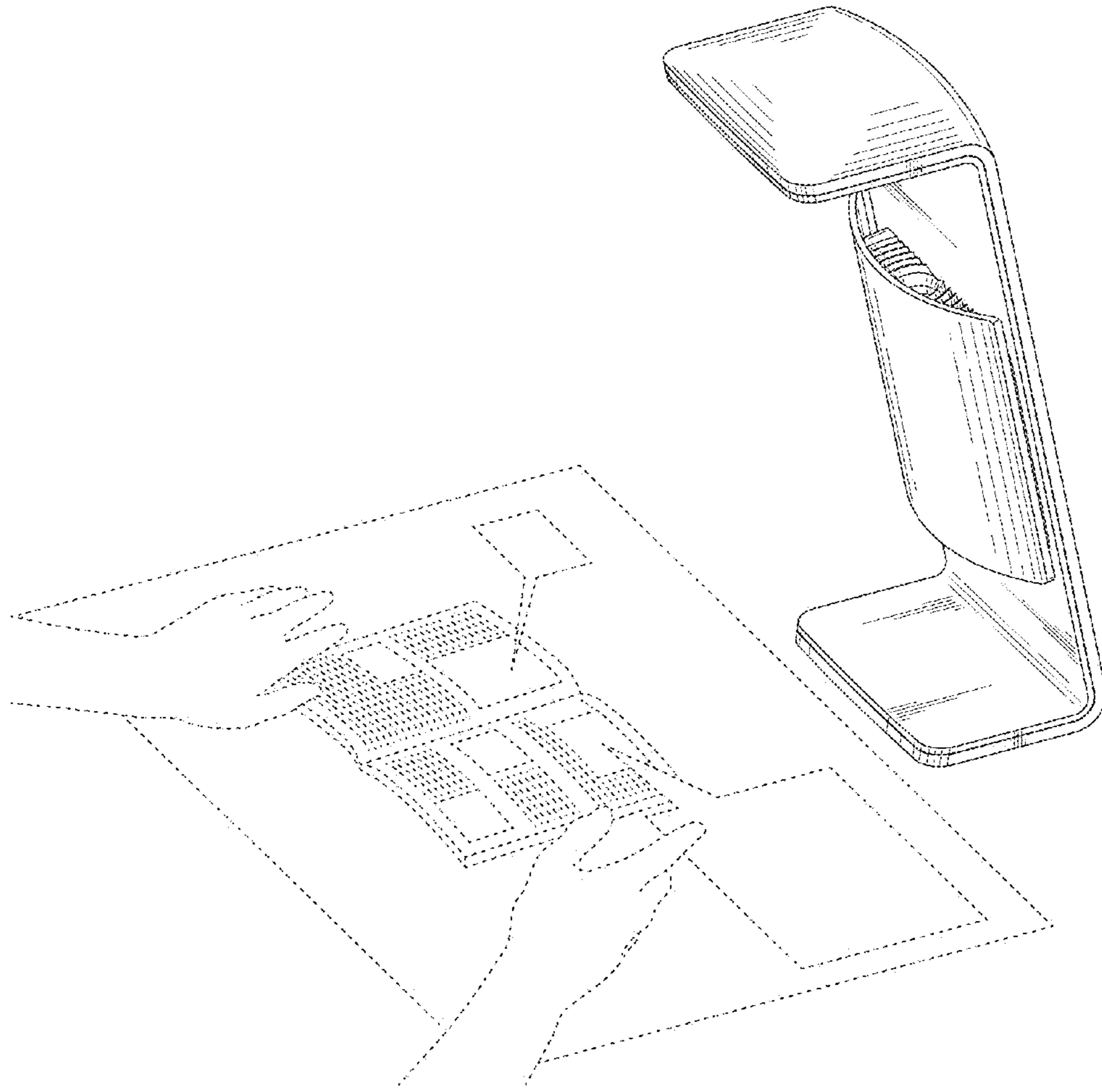


FIG. 11

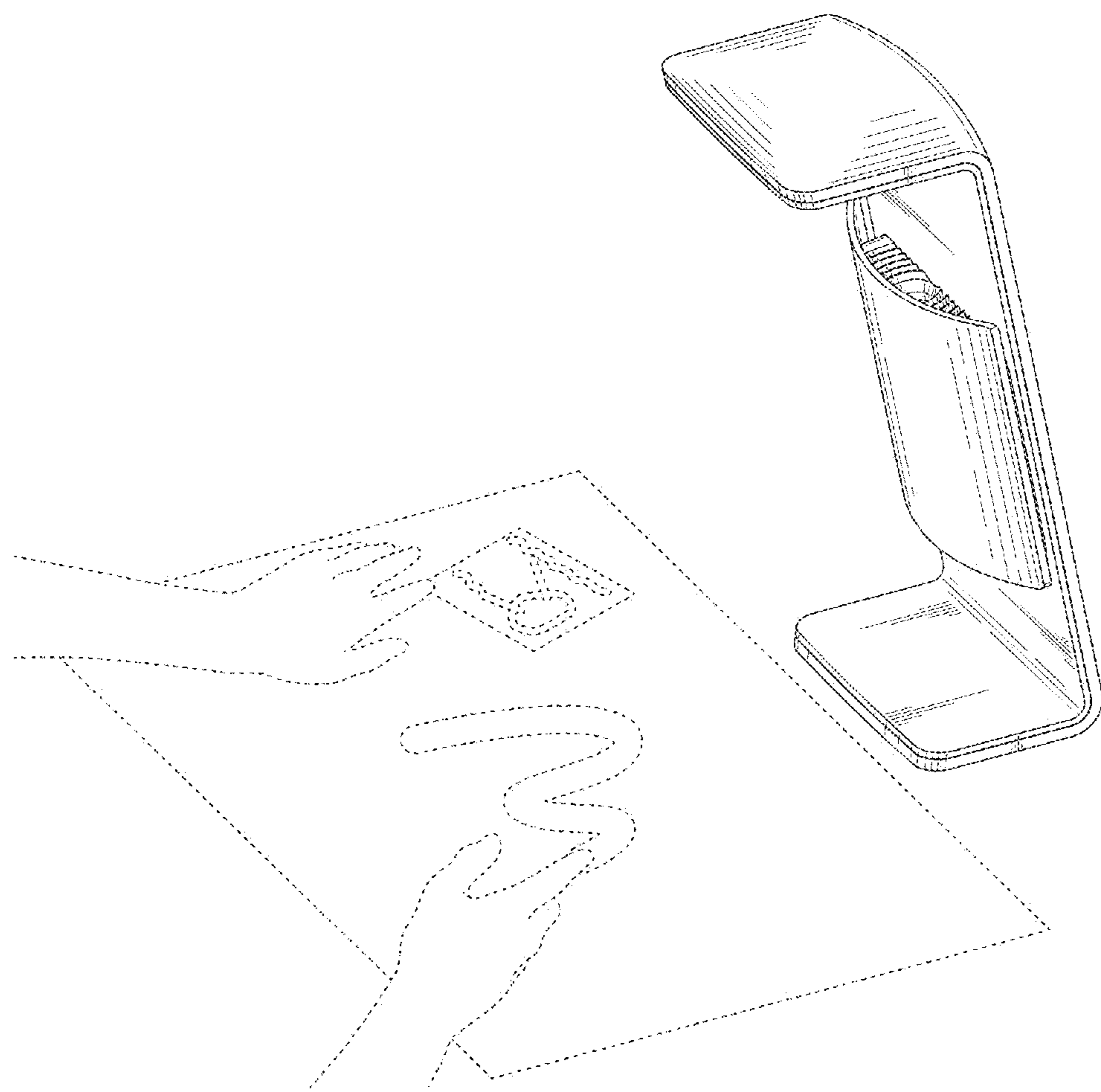


FIG. 12