



US00D719601S

(12) **United States Design Patent**  
**Richardson et al.**

(10) **Patent No.:** **US D719,601 S**

(45) **Date of Patent:** **\*\* Dec. 16, 2014**

(54) **MOTION CAPTURE CAMERA**

(71) Applicant: **NaturalPoint, Inc.**, Corvallis, OR (US)

(72) Inventors: **James D. Richardson**, Corvallis, OR (US); **James Ryan Eder**, Columbus, OH (US); **Paul Perry Kolada**, Bexley, OH (US); **James Huang Lua**, Columbus, OH (US); **Marc W. Alley**, Albany, OR (US)

(73) Assignee: **NaturalPoint, Inc.**, Corvallis, OR (US)

(\*\*) Term: **14 Years**

(21) Appl. No.: **29/462,532**

(22) Filed: **Aug. 5, 2013**

(51) **LOC (10) Cl.** ..... **16-01**

(52) **U.S. Cl.**  
USPC ..... **D16/218**

(58) **Field of Classification Search**

CPC ..... G03B 17/02; G03B 19/04; G03B 17/56;  
G03B 17/04; G03B 15/03; H04N 5/2251;  
H04N 5/2252; H04N 5/2253; H04N 5/2254;  
H04N 5/23248; H04N 2007/145; H04N 7/141;  
H04N 7/142; H04N 7/147; H04N 7/148;  
H04N 7/15; H04N 7/152  
USPC ..... D16/200, 202-205, 208, 218, 219;  
348/14.01-14.06, 143, 146, 148,  
348/208.11, 373-376; 396/427, 535,  
396/539-541

See application file for complete search history.

(56) **References Cited**

**U.S. PATENT DOCUMENTS**

4,835,559 A \* 5/1989 Hattan ..... 396/146  
D312,649 S \* 12/1990 Sakuta ..... D16/203

D339,365 S \* 9/1993 Urcuilio ..... D16/203  
D363,731 S \* 10/1995 Alden et al. .... D16/202  
D396,869 S \* 8/1998 Yamakawa et al. .... D16/202  
D550,739 S \* 9/2007 Deng ..... D16/203  
D594,047 S \* 6/2009 Lee ..... D16/202  
D616,480 S \* 5/2010 Ookawa et al. .... D16/218  
D616,481 S \* 5/2010 Wampler ..... D16/219  
D668,282 S \* 10/2012 Ohno et al. .... D16/203  
8,446,476 B2 \* 5/2013 Ku ..... 348/208.11  
2010/0085474 A1 \* 4/2010 Morita ..... 348/374  
2013/0242181 A1 \* 9/2013 Phoon et al. .... 348/374

\* cited by examiner

*Primary Examiner* — Adir Aronovich

*Assistant Examiner* — Ramzi Almatrahi

(74) *Attorney, Agent, or Firm* — Myers Andras LLP; Joseph C. Andras

(57) **CLAIM**

The ornamental design for a motion capture camera, as shown and described.

**DESCRIPTION**

FIG. 1 is a front elevation view of a motion capture camera showing our new design;

FIG. 2 is a back elevation view thereof;

FIG. 3 is a top plan view thereof;

FIG. 4 is a bottom plan view thereof;

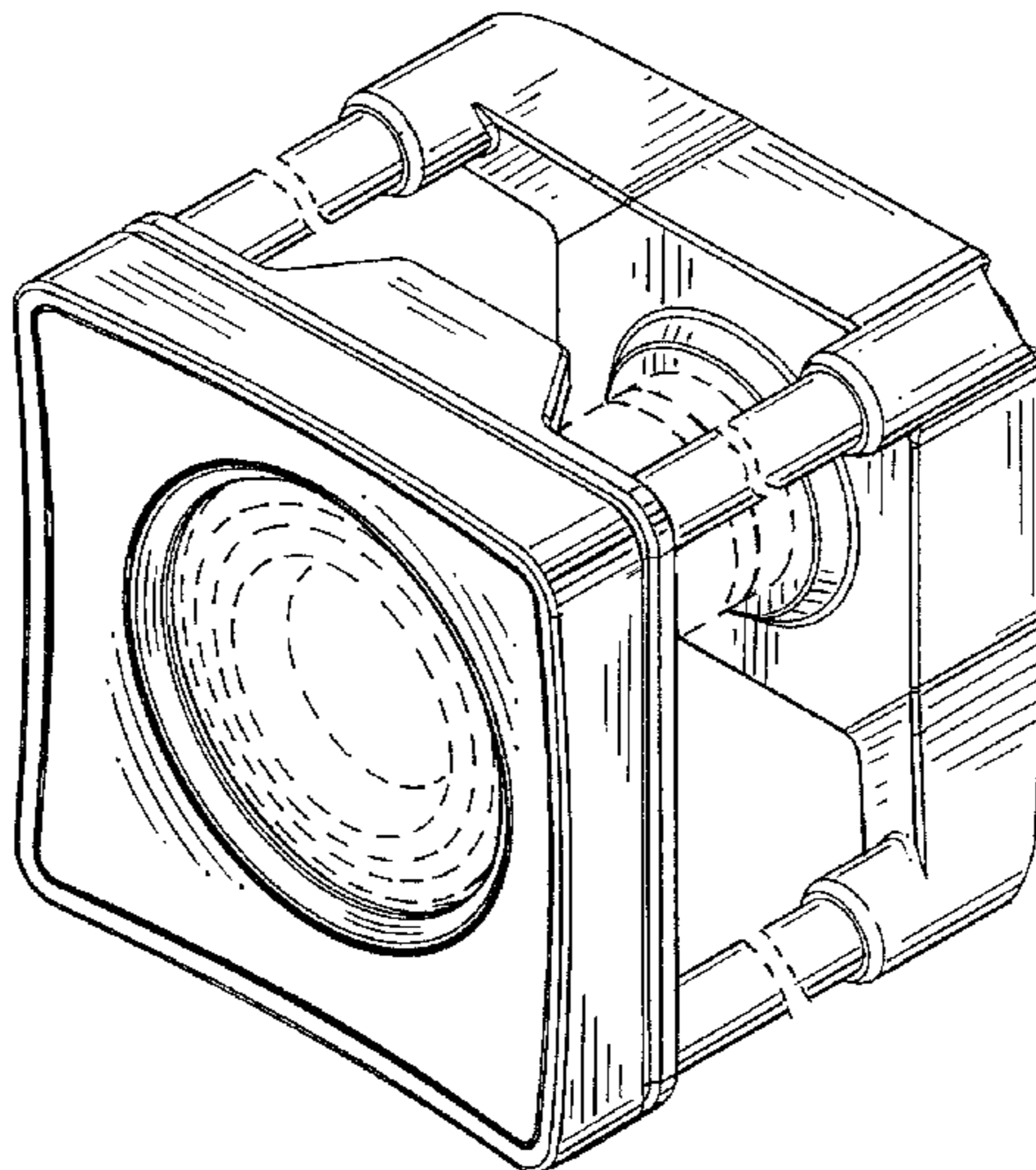
FIG. 5 is a left side elevation view thereof;

FIG. 6 is a right side elevation view thereof; and,

FIG. 7 is a front perspective view thereof.

The broken lines in FIGS. 1-7 depict portions of the motion capture camera in which the design is embodied and form no part of the claimed design. The cylindrical legs in FIGS. 3-7 are shown with a broken gap to indicate indeterminate length having uniform shape and appearance throughout their length. Any portion of the article between the break lines forms no part of the claimed design.

**1 Claim, 4 Drawing Sheets**



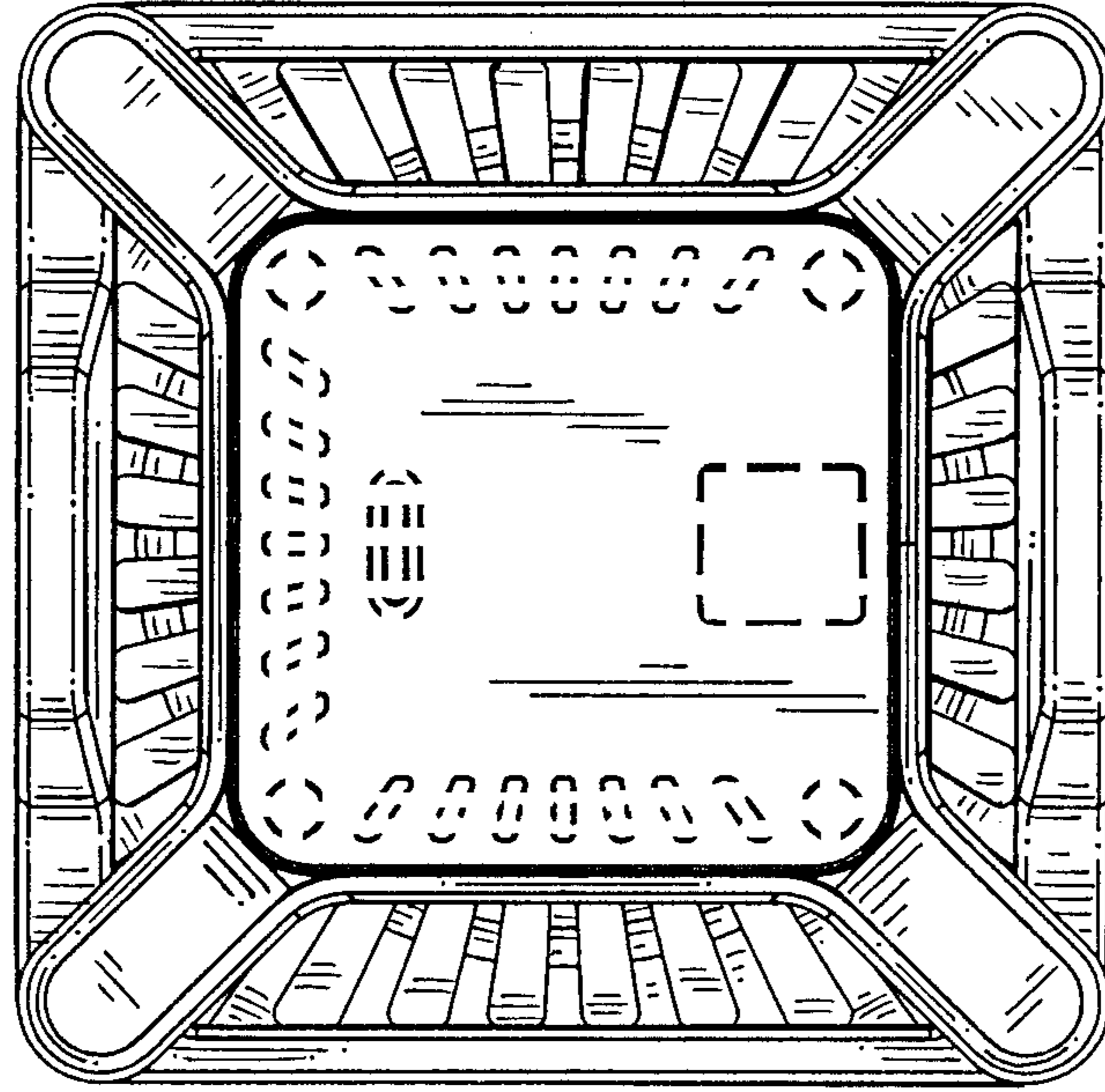


FIG. 2

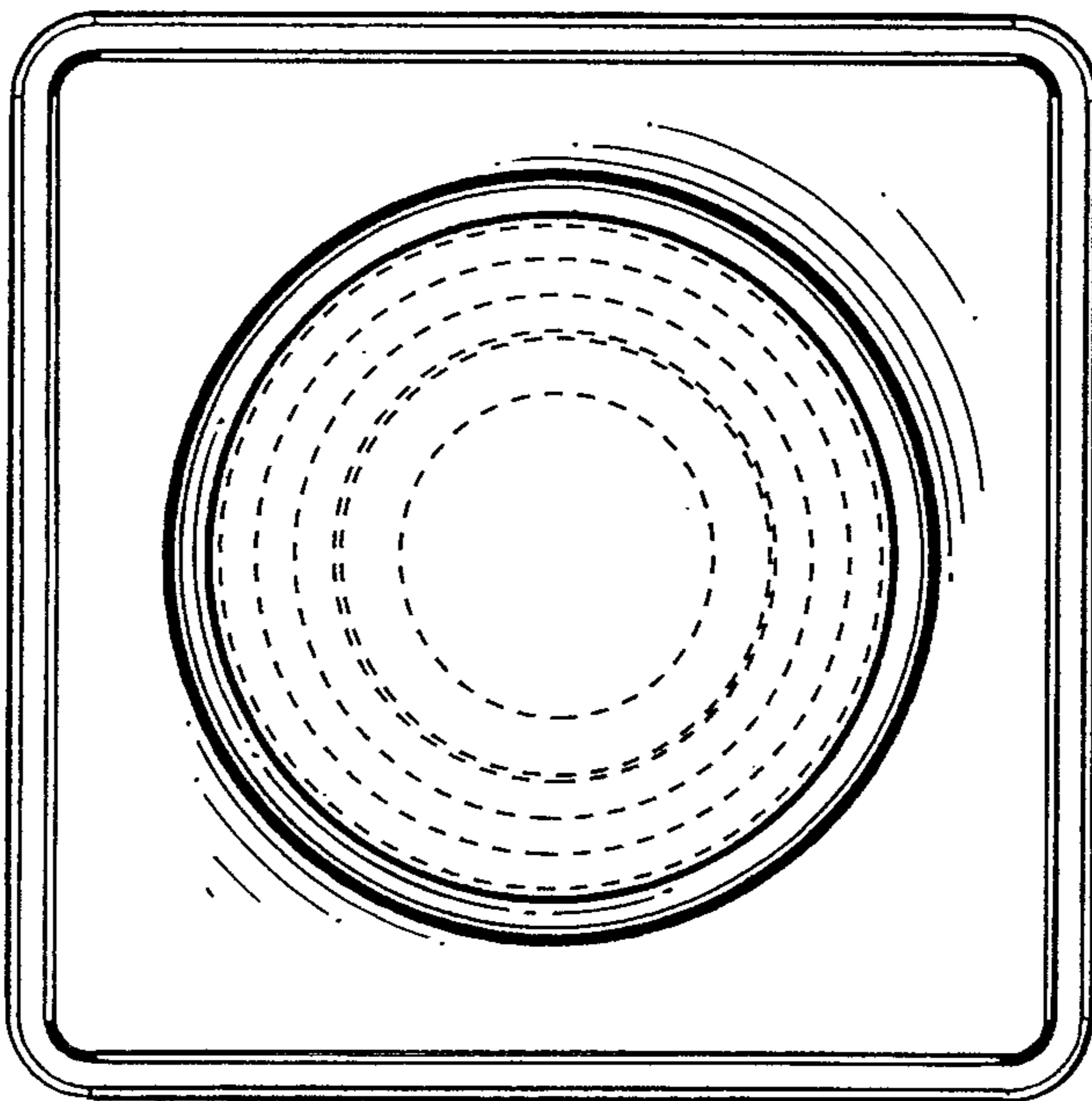


FIG. 1

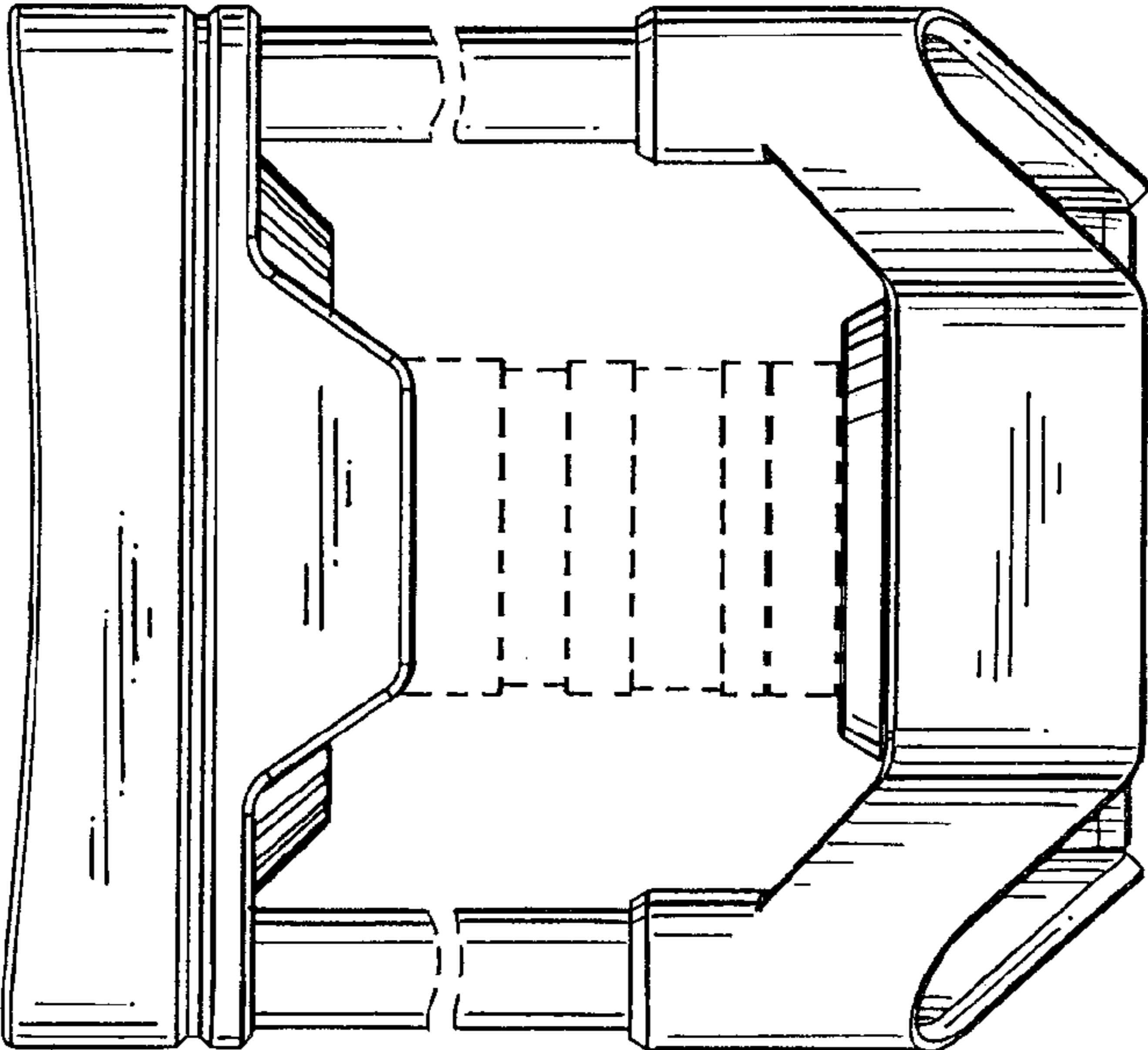


FIG. 4

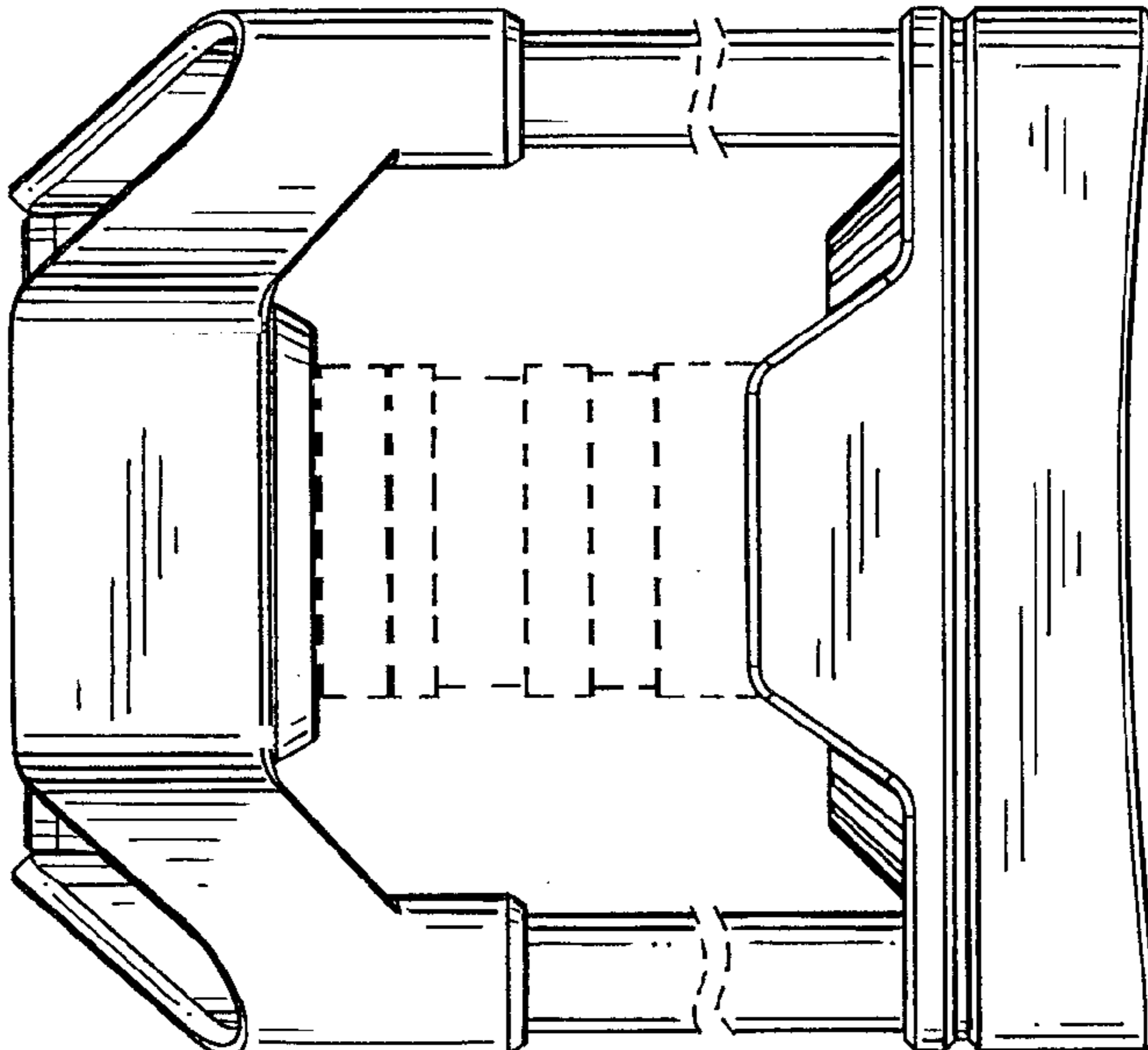


FIG. 3

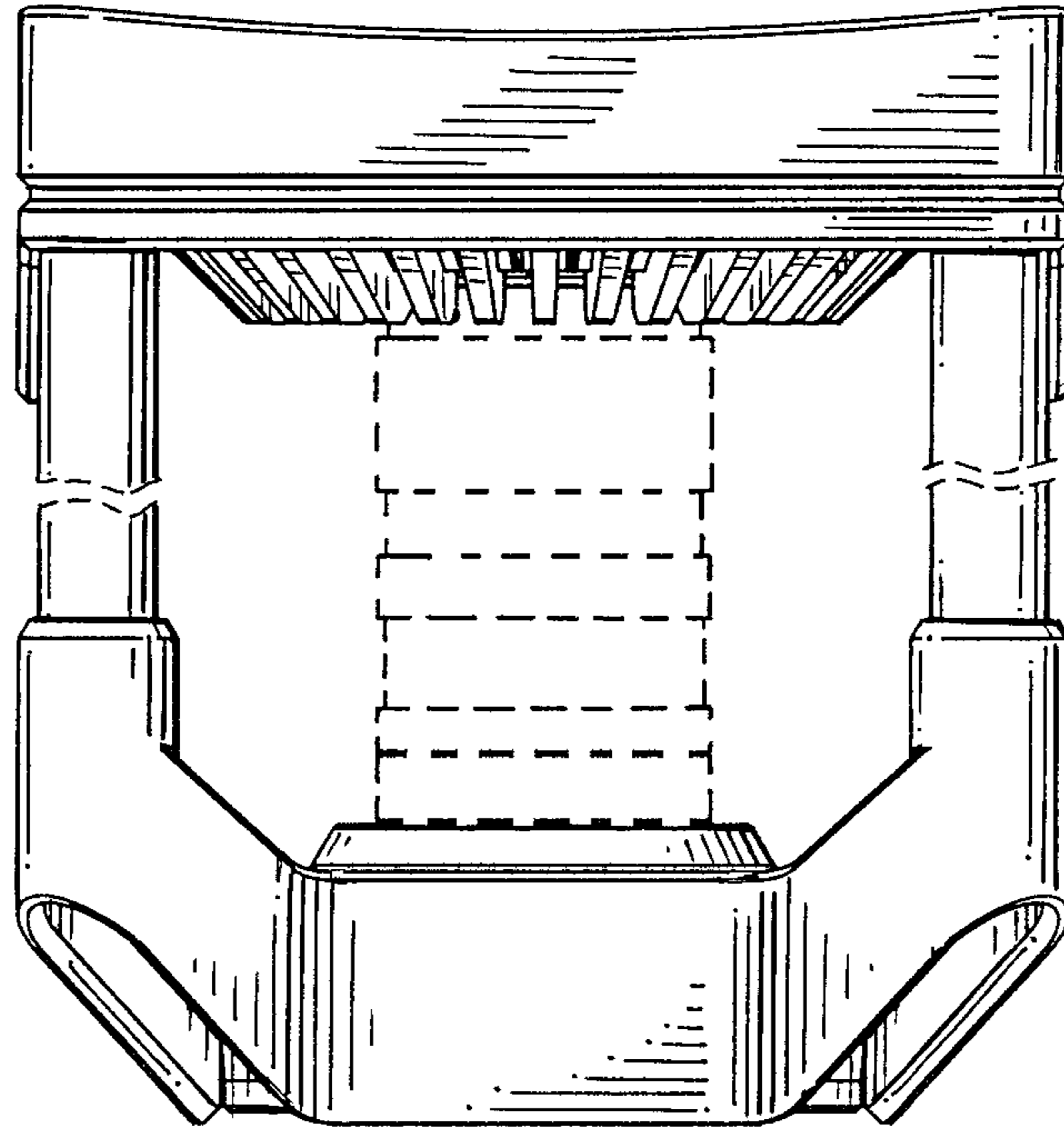


FIG. 6

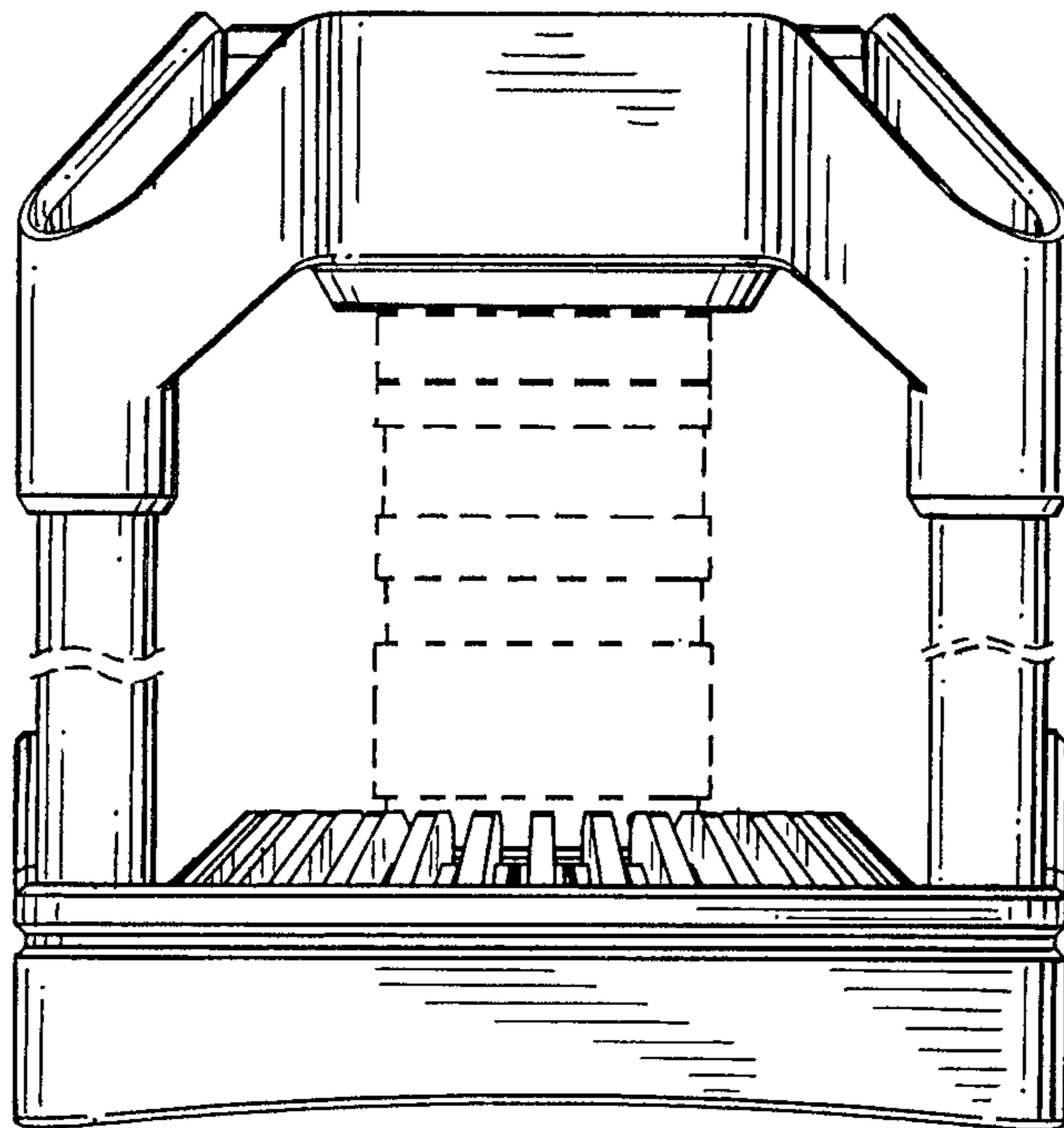


FIG. 5

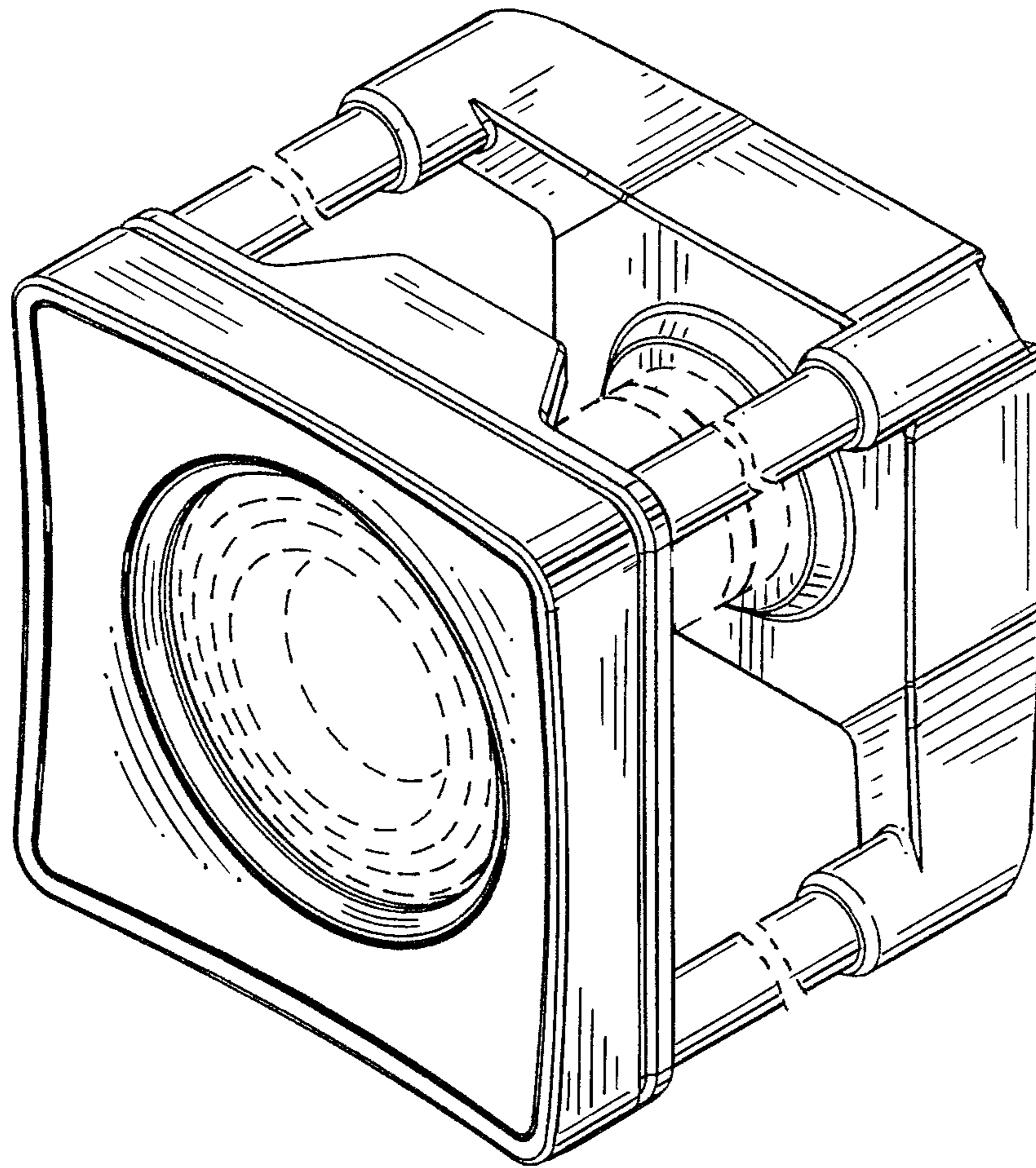


FIG. 7