



US00D719600S

(12) **United States Design Patent**
Katori

(10) **Patent No.:** **US D719,600 S**

(45) **Date of Patent:** **** Dec. 16, 2014**

(54) **SURVEILLANCE CAMERA**

(71) Applicant: **Panasonic Corporation**, Osaka (JP)

(72) Inventor: **Takehito Katori**, Kyoto (JP)

(73) Assignee: **Panasonic Corporation**, Osaka (JP)

(**) Term: **14 Years**

(21) Appl. No.: **29/473,459**

(22) Filed: **Nov. 22, 2013**

(30) **Foreign Application Priority Data**

May 30, 2013 (JP) 2013-011917

(51) **LOC (10) Cl.** **16-01**

(52) **U.S. Cl.**
USPC **D16/203**

(58) **Field of Classification Search**
CPC G03B 17/00; G03B 17/02; H04N 5/2251;
H04N 5/2252; H04N 5/2253; H04N 5/772
USPC D16/200-205, 208, 218; 348/373-376;
358/909.1; 396/6, 535-541
See application file for complete search history.

(56) **References Cited**

U.S. PATENT DOCUMENTS

5,576,781 A * 11/1996 Deleeuw 396/6
D442,204 S * 5/2001 Chou et al. D16/218

D474,221 S * 5/2003 Cheng D16/218
D491,968 S * 6/2004 Isshiki D16/203
D534,196 S * 12/2006 Kim et al. D16/202
D582,955 S 12/2008 Sekine et al.
D616,480 S 5/2010 Ookawa et al.
D647,933 S 11/2011 Raken et al.
D668,283 S * 10/2012 Ohno et al. D16/203

* cited by examiner

Primary Examiner — Adir Aronovich

(74) *Attorney, Agent, or Firm* — Panasonic Patent Center

(57) **CLAIM**

I claim the ornamental design for a surveillance camera, as shown and described.

DESCRIPTION

FIG. 1 is a front perspective view of a surveillance camera of the present invention;
FIG. 2 is a front view thereof;
FIG. 3 is a rear view thereof;
FIG. 4 is a left side view thereof;
FIG. 5 is a right side view thereof;
FIG. 6 is a top view thereof; and,
FIG. 7 is a bottom view thereof.

The broken line showing of surveillance camera is included for the purpose of illustrating environment and forms no part of the claimed design.

1 Claim, 7 Drawing Sheets

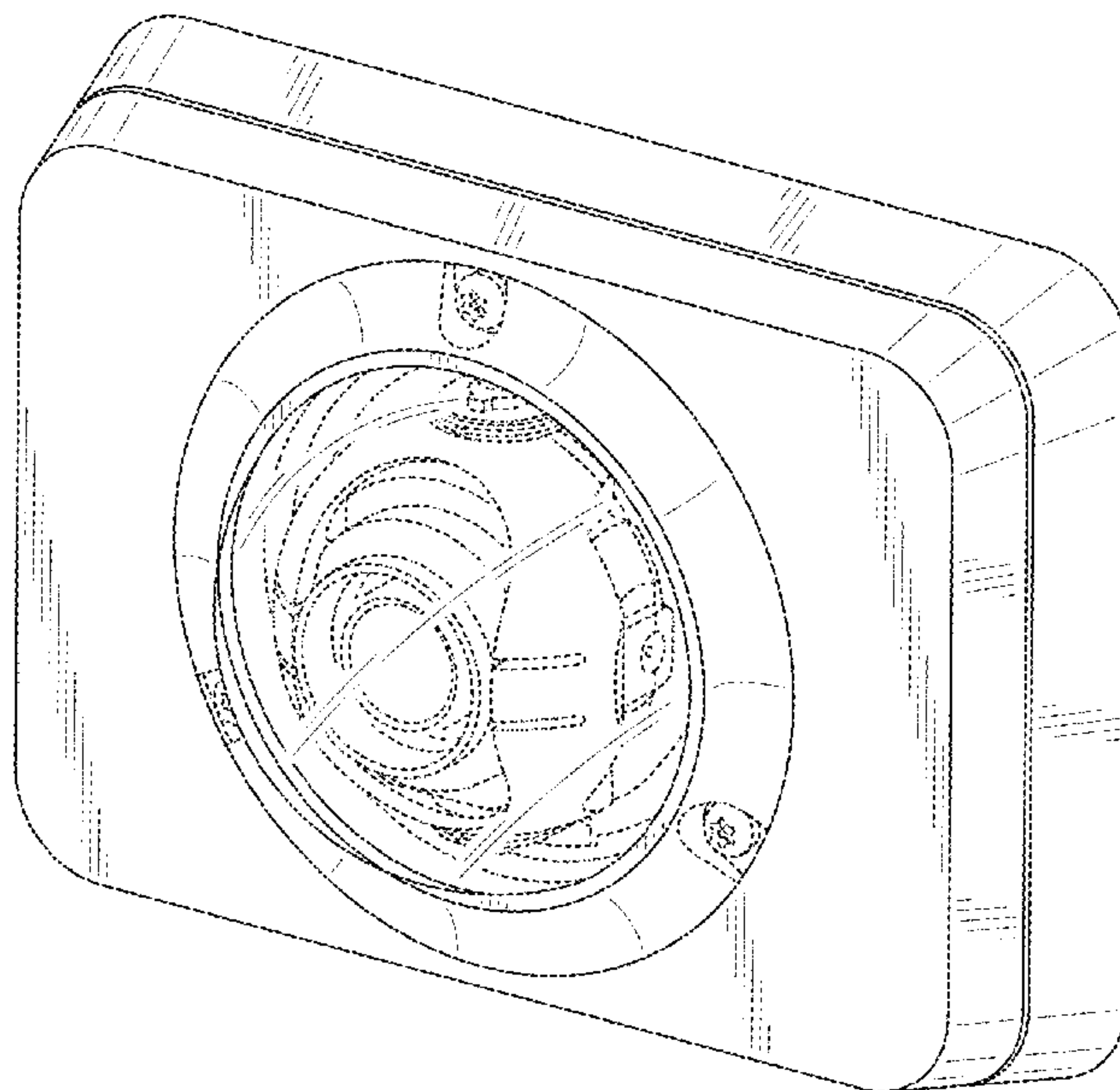


FIG. 1

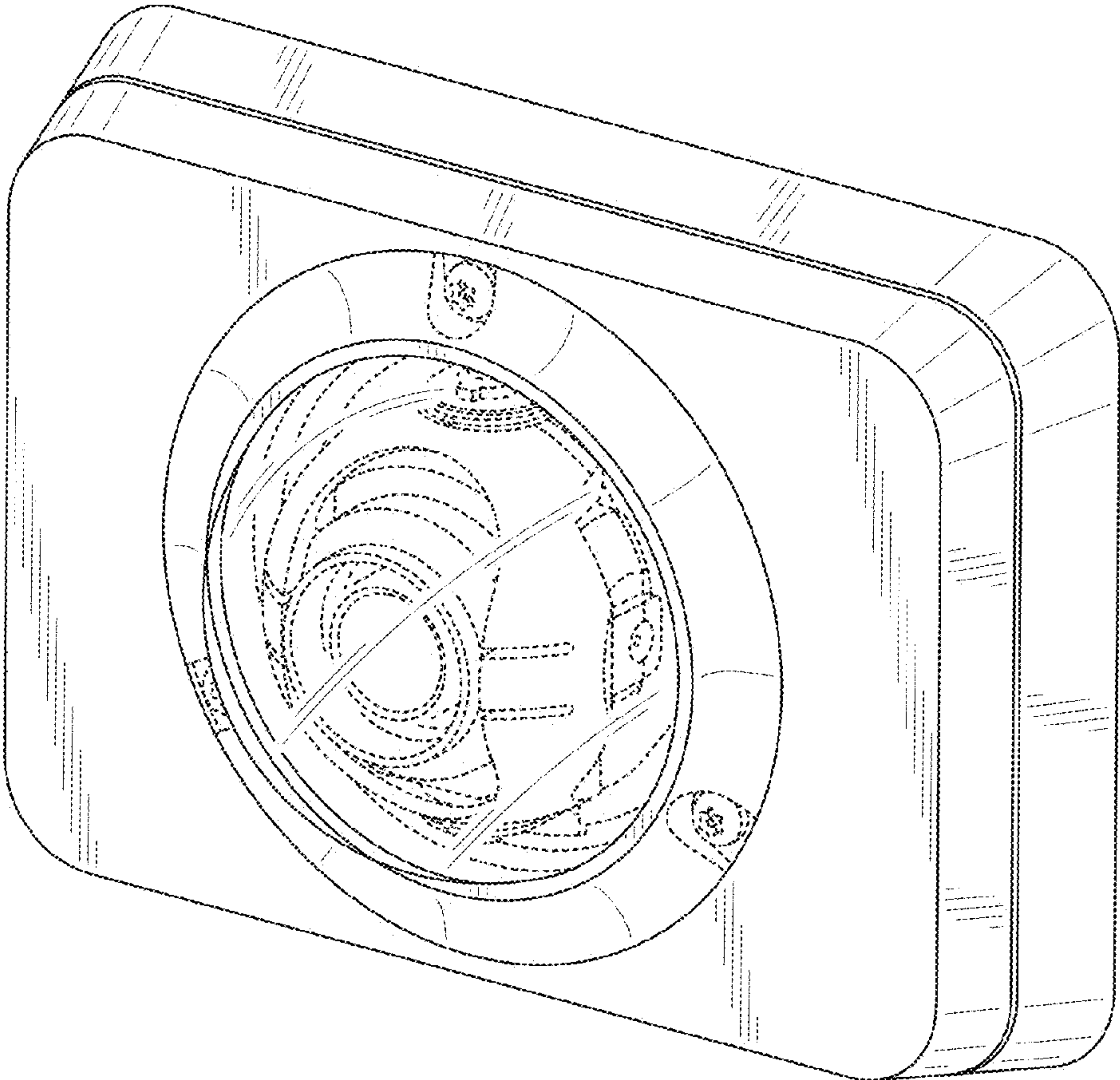


FIG. 2

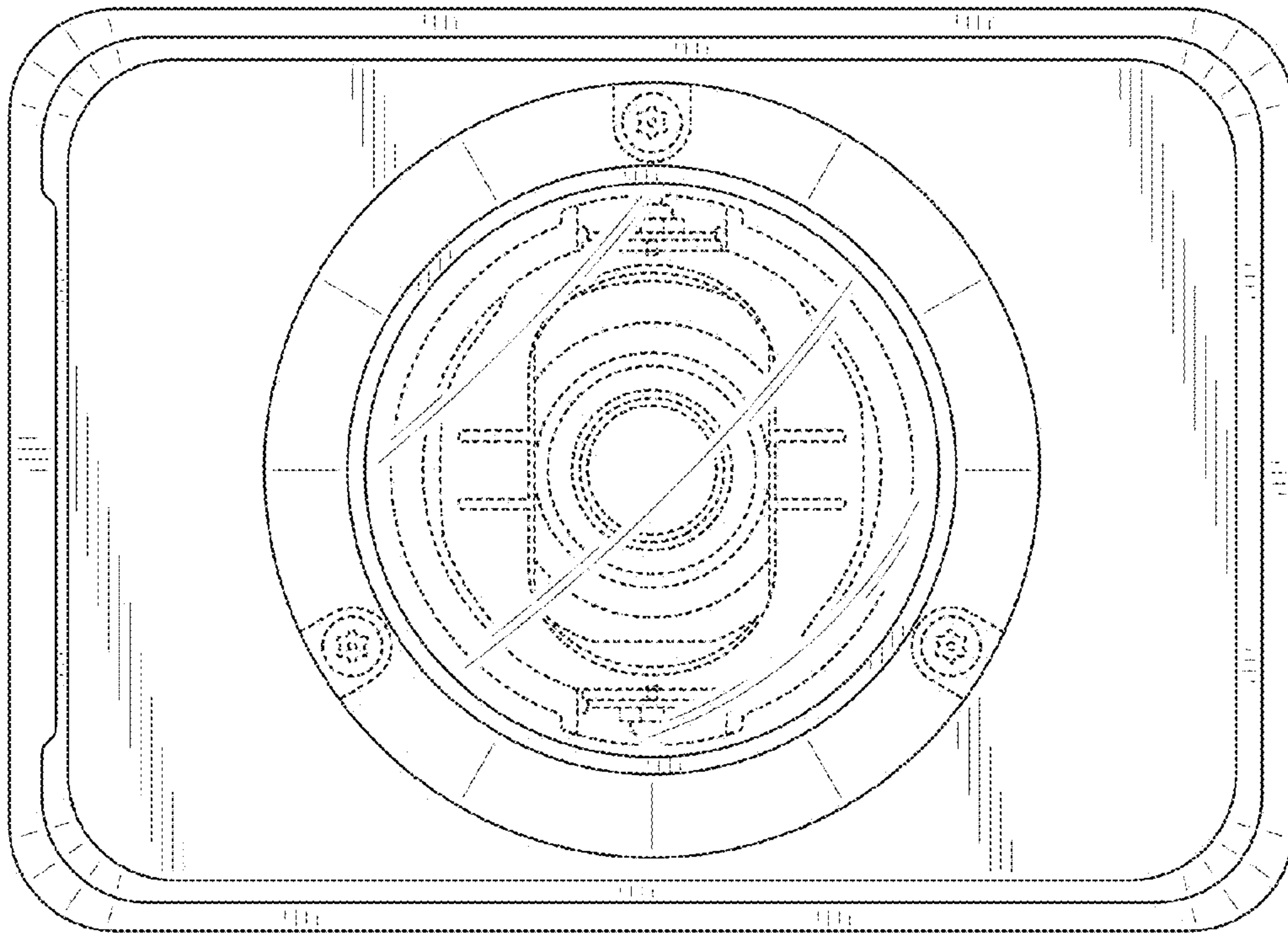


FIG. 3

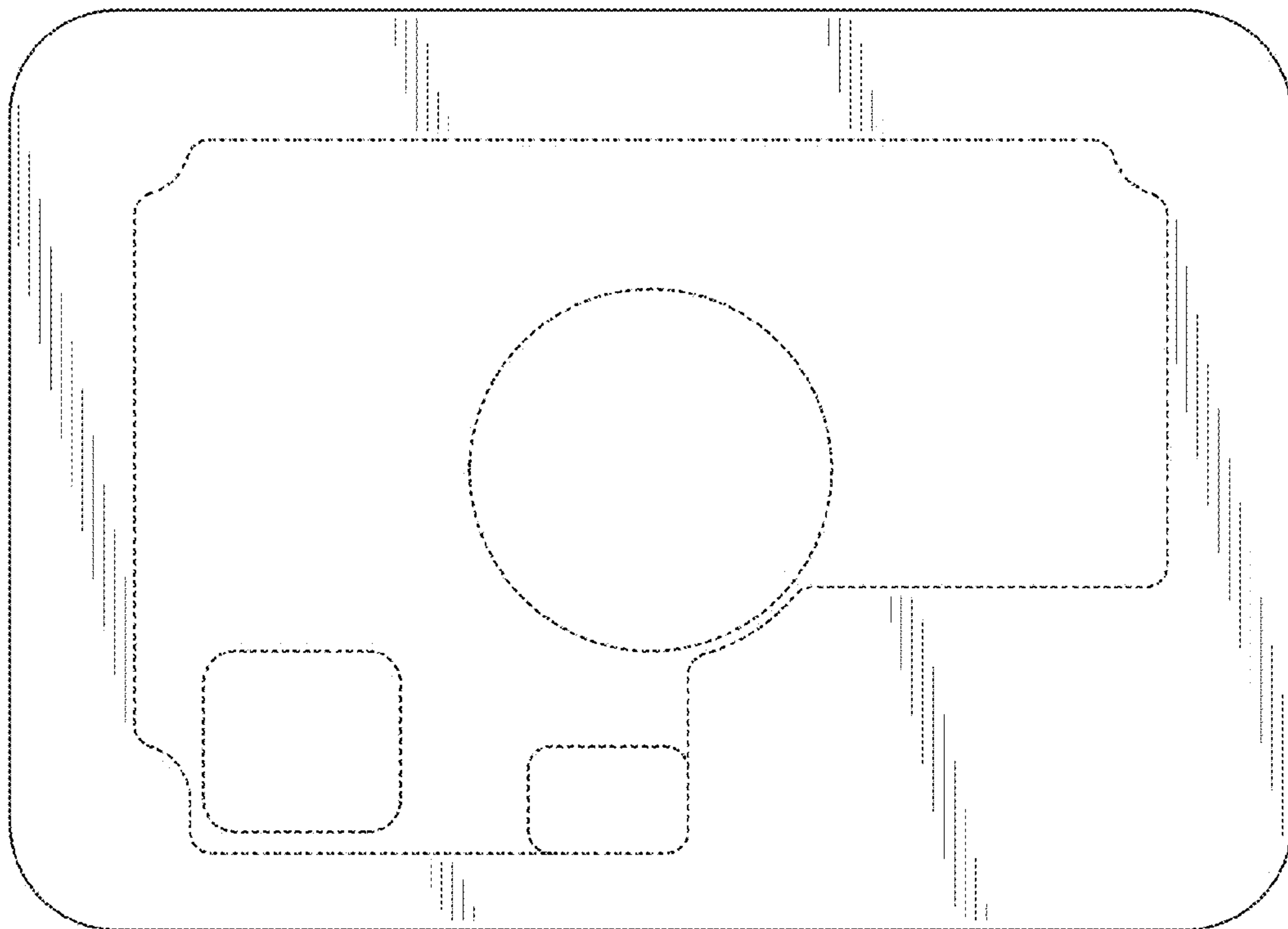


FIG. 4

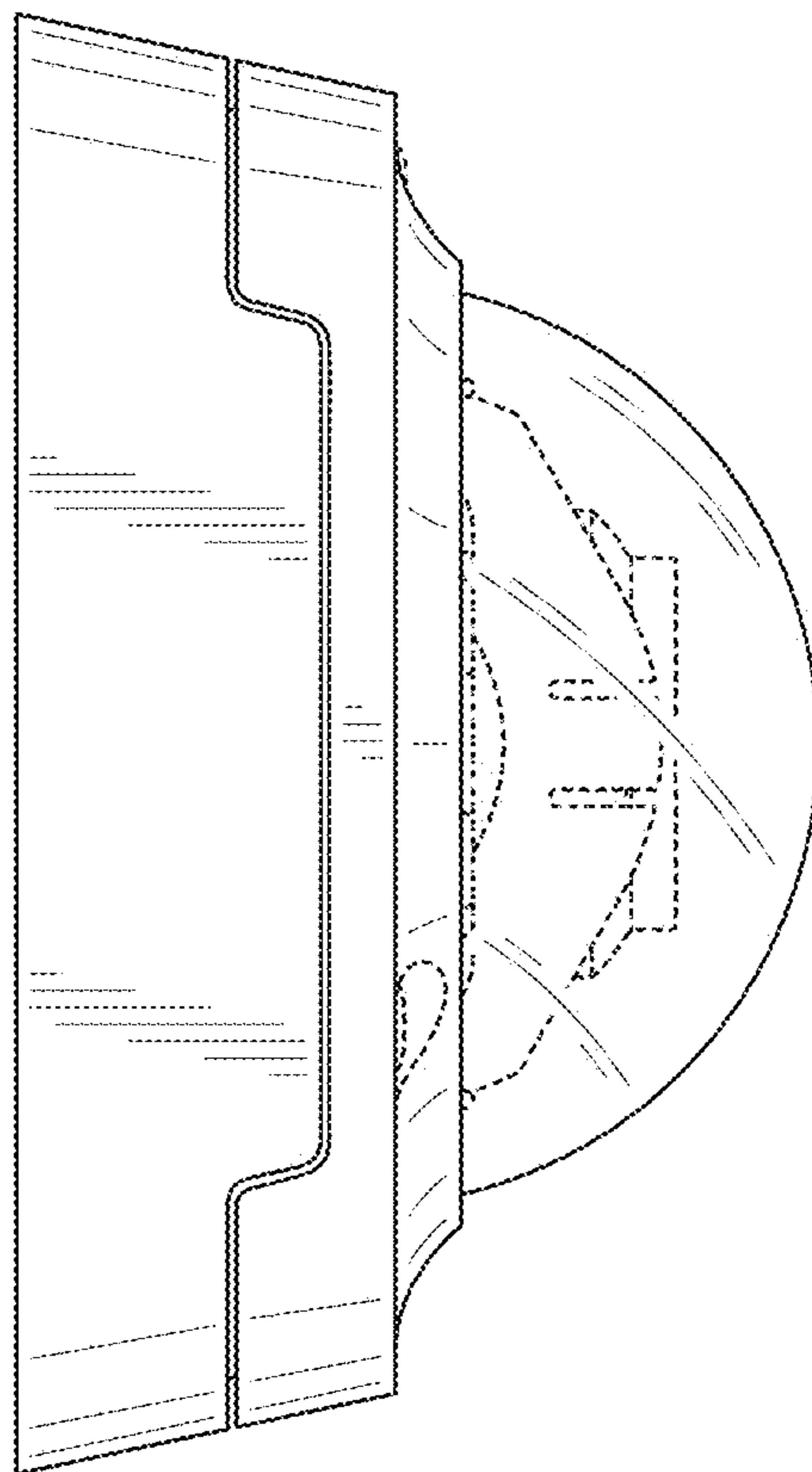


FIG. 5

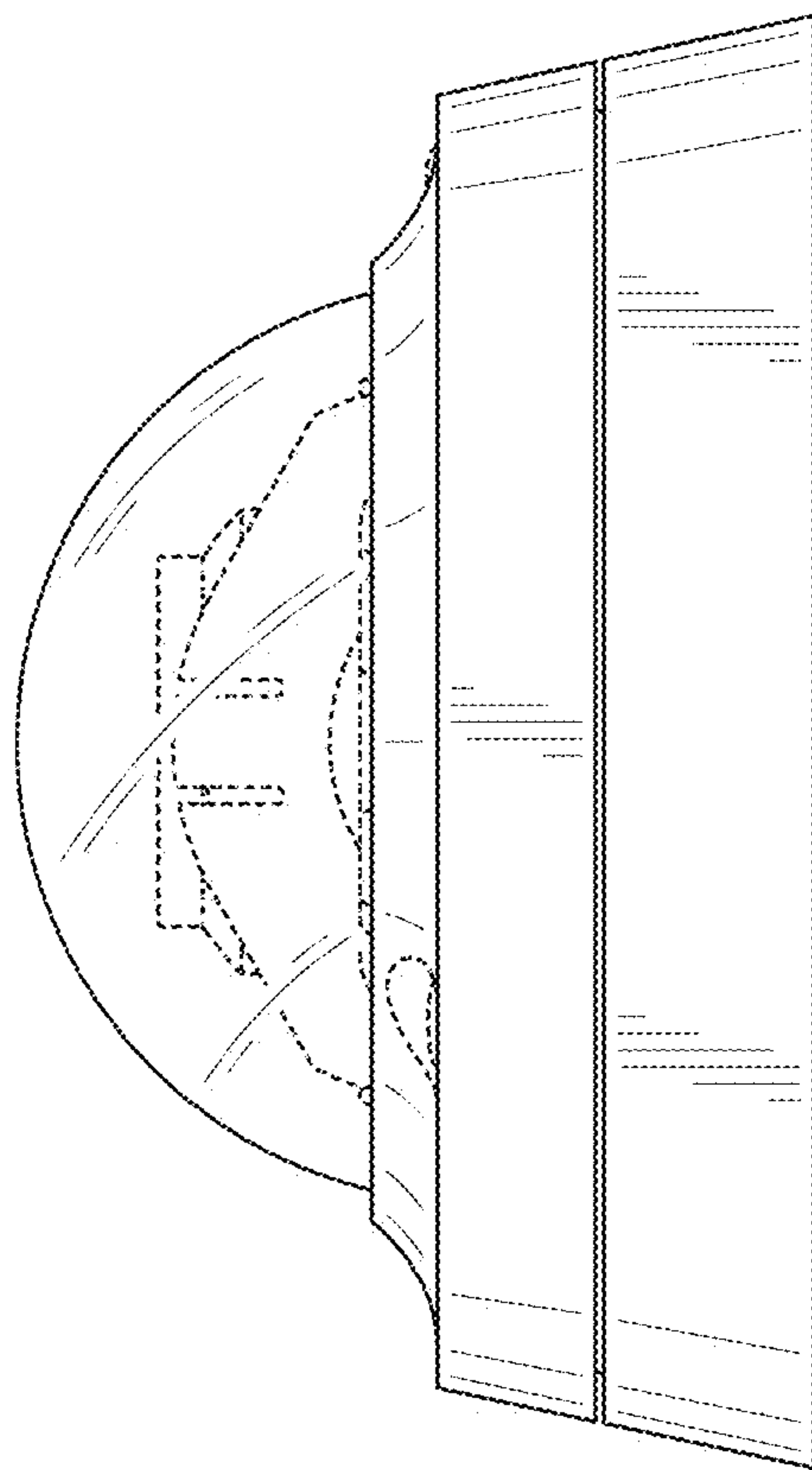


FIG. 6

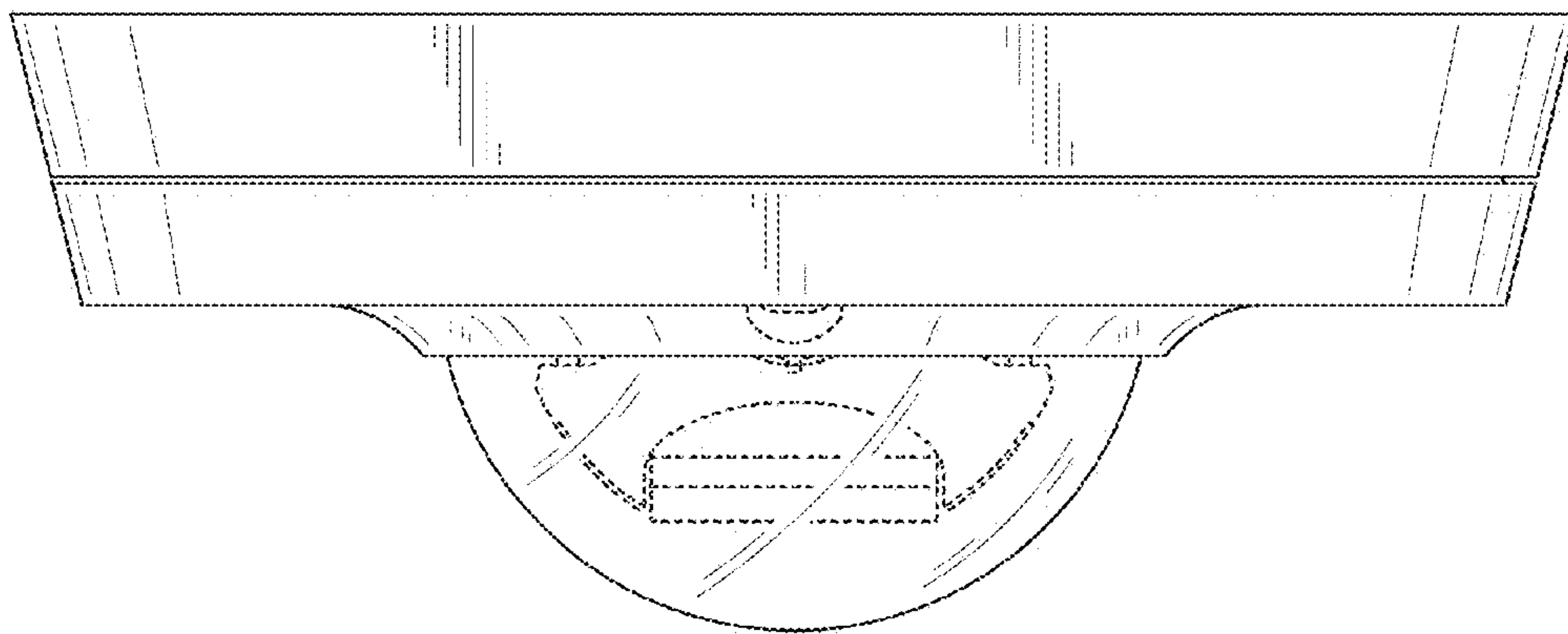


FIG. 7

