



US00D719598S

(12) **United States Design Patent**
Chang et al.

(10) **Patent No.:** **US D719,598 S**

(45) **Date of Patent:** **** Dec. 16, 2014**

(54) **BINOCULAR IMAGE-TAKING LENS**

(56) **References Cited**

(71) Applicant: **Hon Hai Precision Industry Co., Ltd.**,
New Taipei (TW)

U.S. PATENT DOCUMENTS

(72) Inventors: **Chih-Kuang Chang**, New Taipei (TW);
Xin-Yuan Wu, Shenzhen (CN); **Yi Liu**,
Shenzhen (CN)

D113,640	S	*	3/1939	Morbee	D16/133
D246,527	S	*	11/1977	Pfefer	D16/237
D352,049	S	*	11/1994	Burr et al.	D16/130
6,019,524	A	*	2/2000	Arbuckle	396/427
6,064,520	A	*	5/2000	Nowak et al.	359/411
6,333,814	B1	*	12/2001	Chang et al.	359/411
6,741,392	B2	*	5/2004	Fu	359/557
7,280,145	B2	*	10/2007	Takizawa et al.	348/340
7,891,808	B2	*	2/2011	Mazurenko	351/158
8,675,126	B2	*	3/2014	Komada et al.	348/374
2004/0233550	A1	*	11/2004	Burr	359/822
2007/0081817	A1	*	4/2007	Soulvie	396/419
2014/0176909	A1	*	6/2014	Spivey et al.	351/223

(73) Assignee: **Hon Hai Precision Industry Co., Ltd.**,
New Taipei (TW)

(**) Term: **14 Years**

* cited by examiner

(21) Appl. No.: **29/451,979**

Primary Examiner — Adir Aronovich

(22) Filed: **Apr. 10, 2013**

Assistant Examiner — Ramzi Almatrahi

(30) **Foreign Application Priority Data**

(74) *Attorney, Agent, or Firm* — Novak Druce Connolly
Bove + Quigg LLP

Feb. 26, 2013 (CN) 2013 3 0046232

(51) **LOC (10) Cl.** **16-06**

(57) **CLAIM**

(52) **U.S. Cl.**

The ornamental design for a binocular image-taking lens, as
shown and described.

USPC **D16/134**

DESCRIPTION

(58) **Field of Classification Search**

CPC G03B 17/02; G03B 17/56; G03B 17/04;
G03B 19/04; G03B 15/03; G03B 17/14;
H04N 5/2251; H04N 5/2252; H04N 5/2253;
H04N 5/2254; G02B 7/02; G02B 7/04;
G02B 7/14

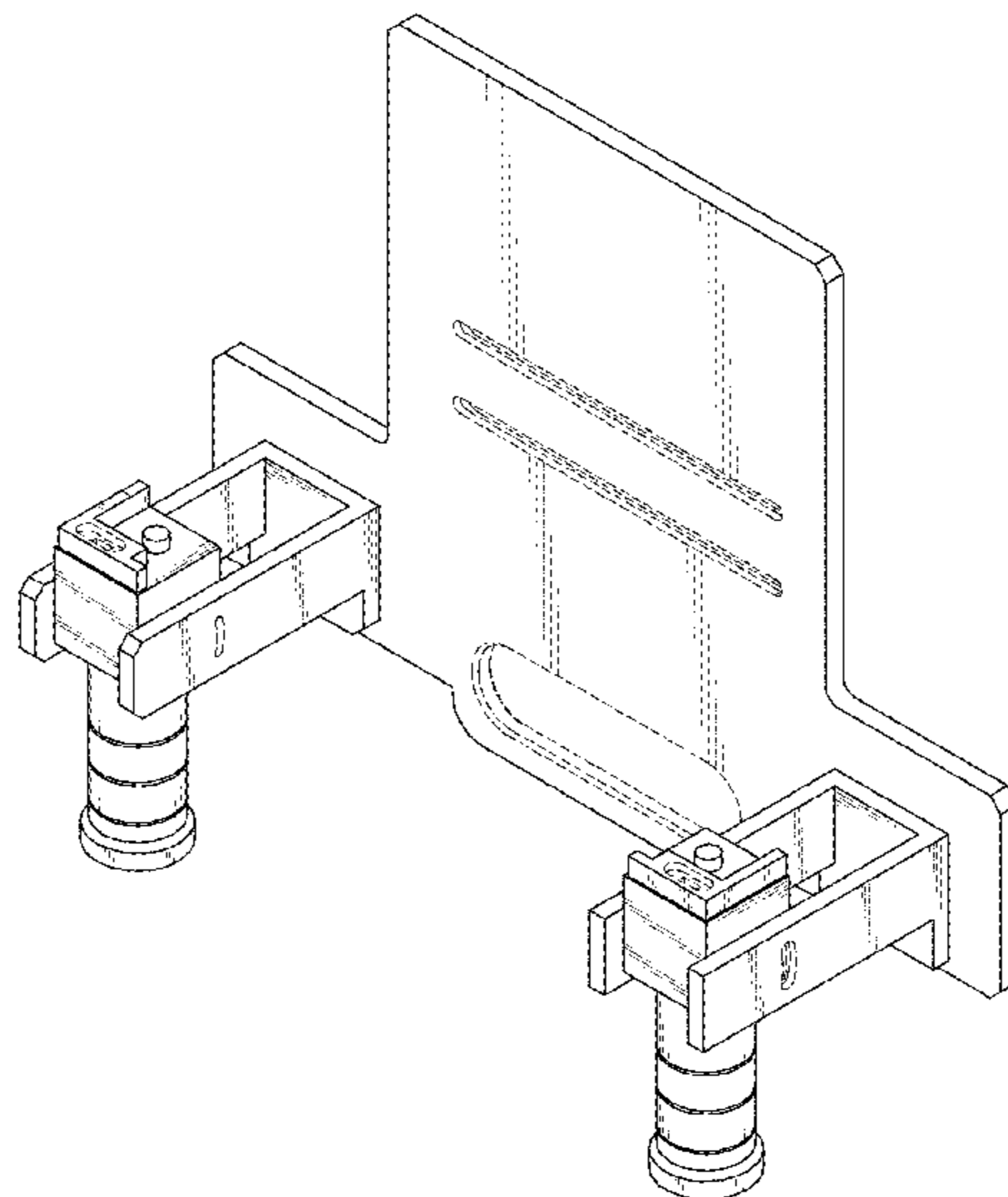
FIG. 1 is a perspective view of a binocular image-taking lens
showing our new design;
FIG. 2 is a front elevational view thereof;
FIG. 3 is a rear elevational view thereof;
FIG. 4 is a left side elevational view thereof;
FIG. 5 is a right side elevational view thereof;
FIG. 6 is a top plan view thereof; and,
FIG. 7 is a bottom plan view thereof.

USPC D16/130, 133, 134, 136, 202–206, 210,
D16/218, 219, 242, 245; 351/158, 223;
359/375, 411, 557, 822, 826–828;
396/419, 427, 529–532; 348/340,
348/373–376

The broken lines depict portions of the binocular image-
taking lens in which the design is embodied and form no part
of the claimed design.

See application file for complete search history.

1 Claim, 7 Drawing Sheets



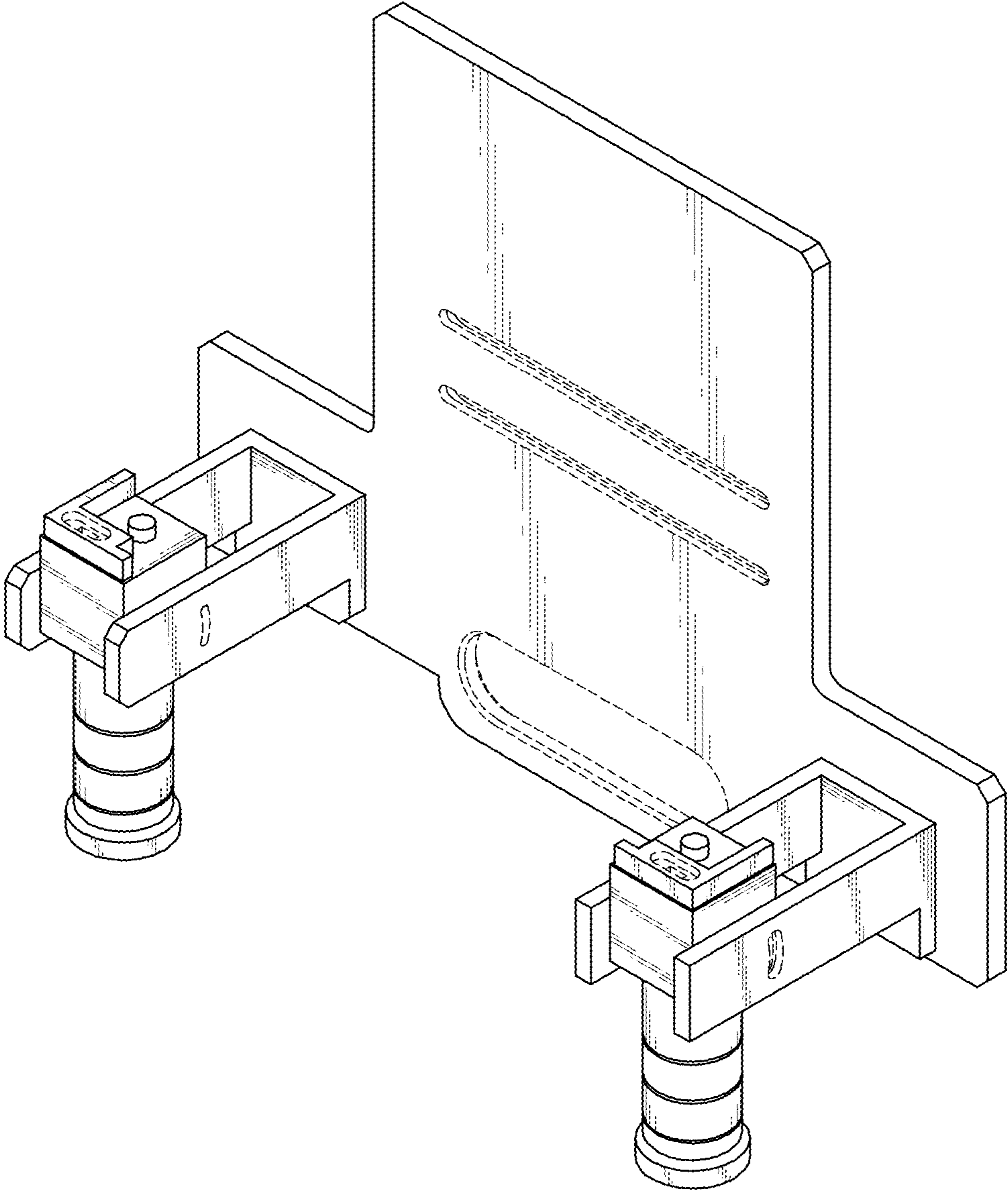


FIG. 1

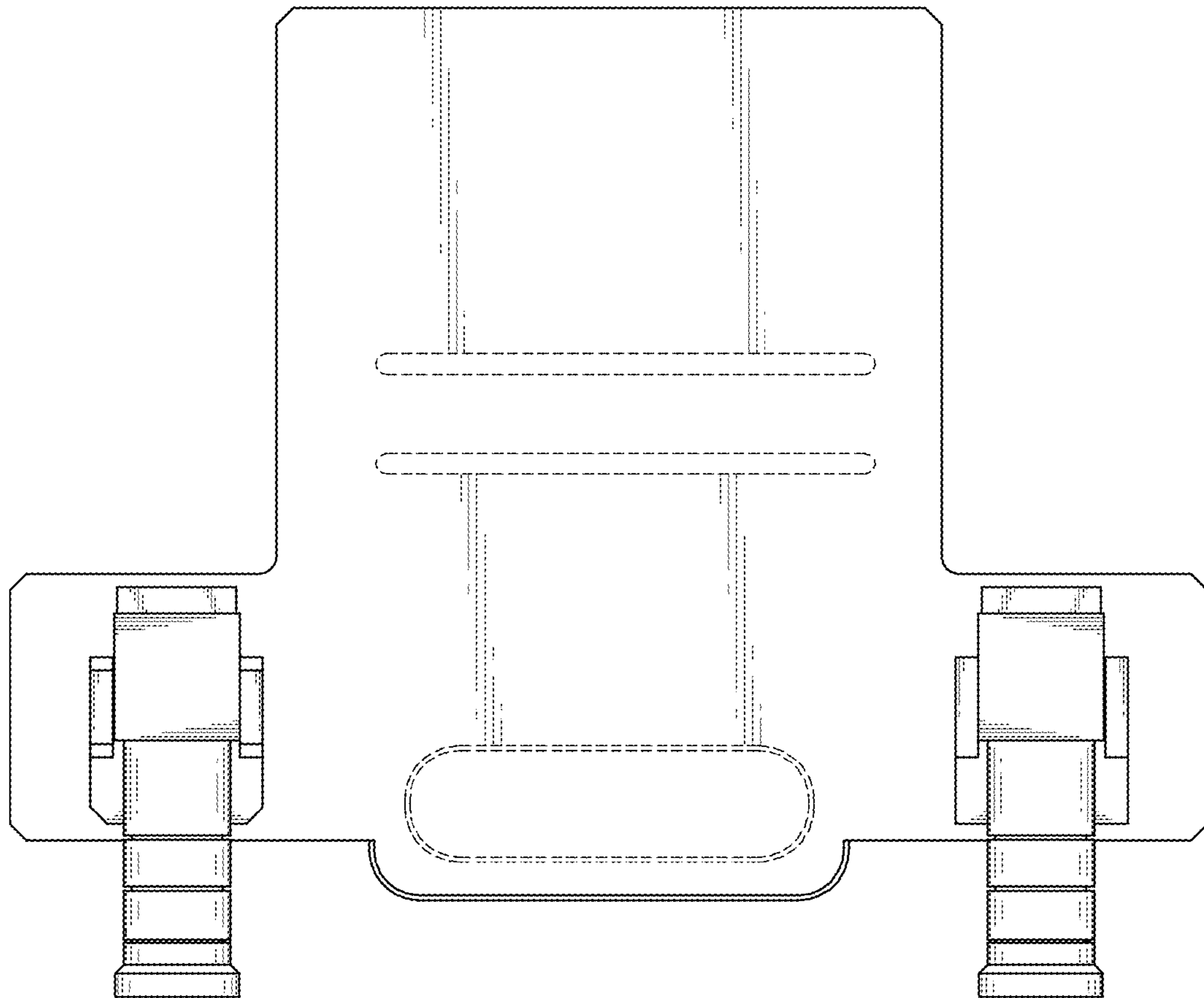


FIG. 2

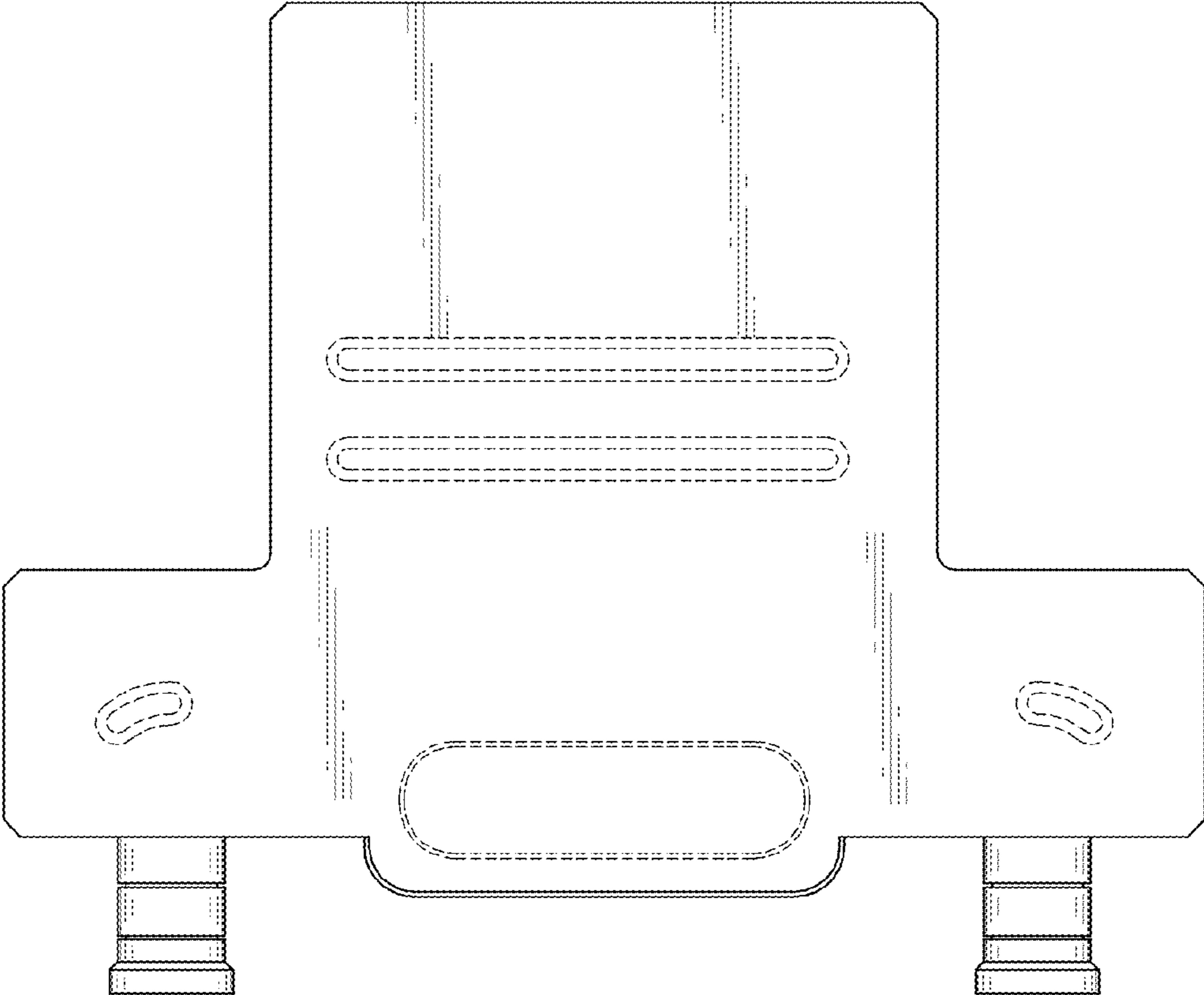


FIG. 3

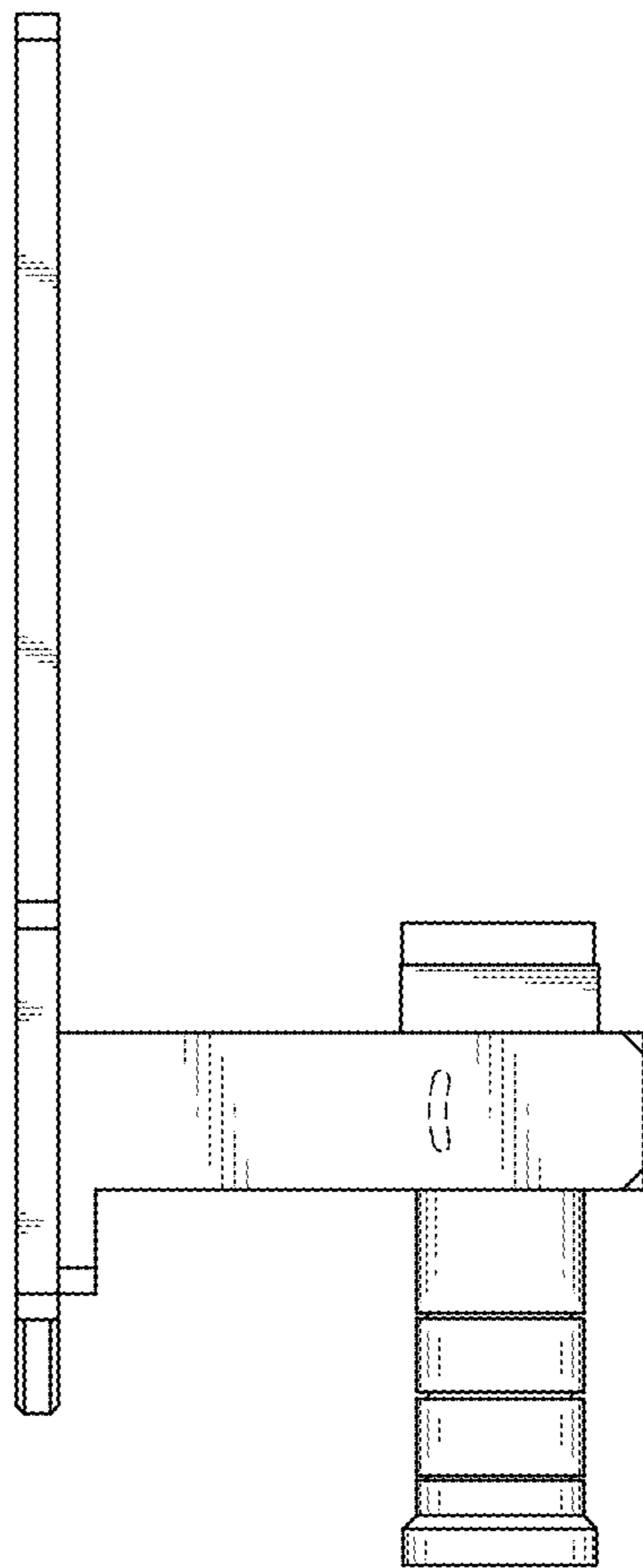


FIG. 4

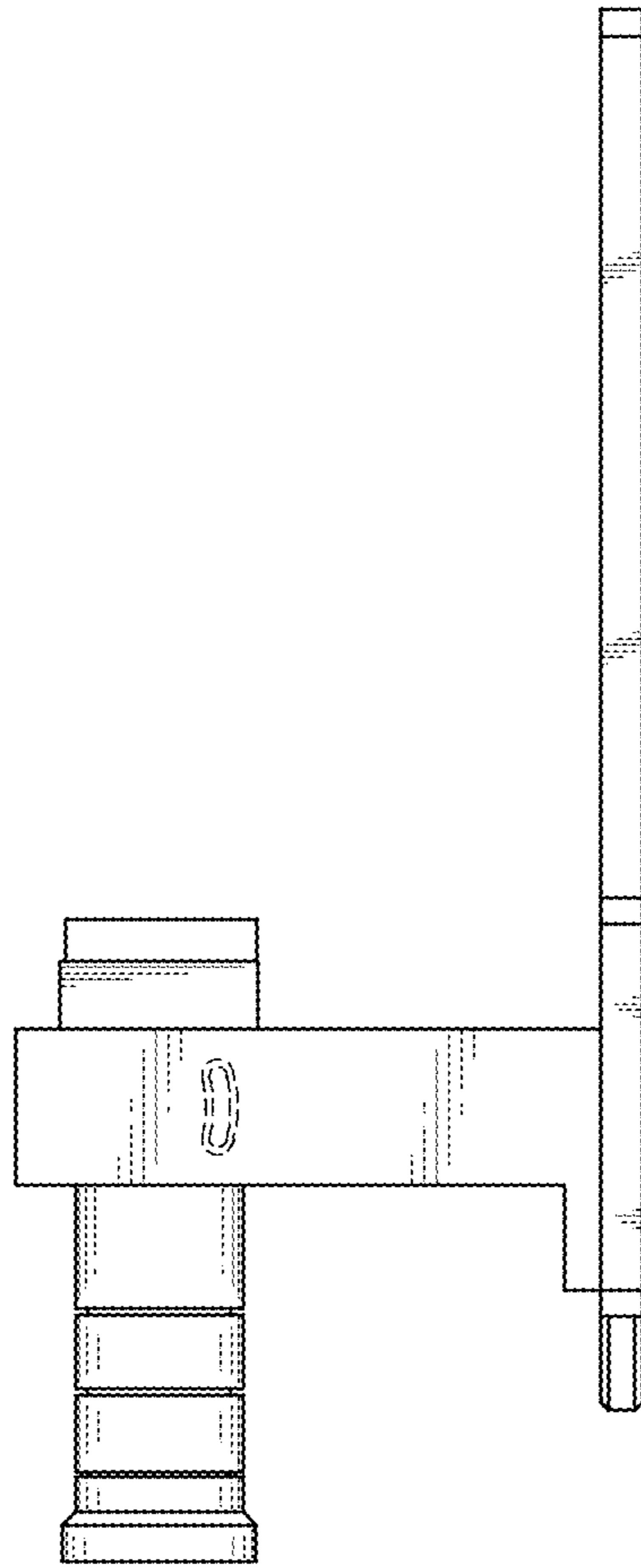


FIG. 5

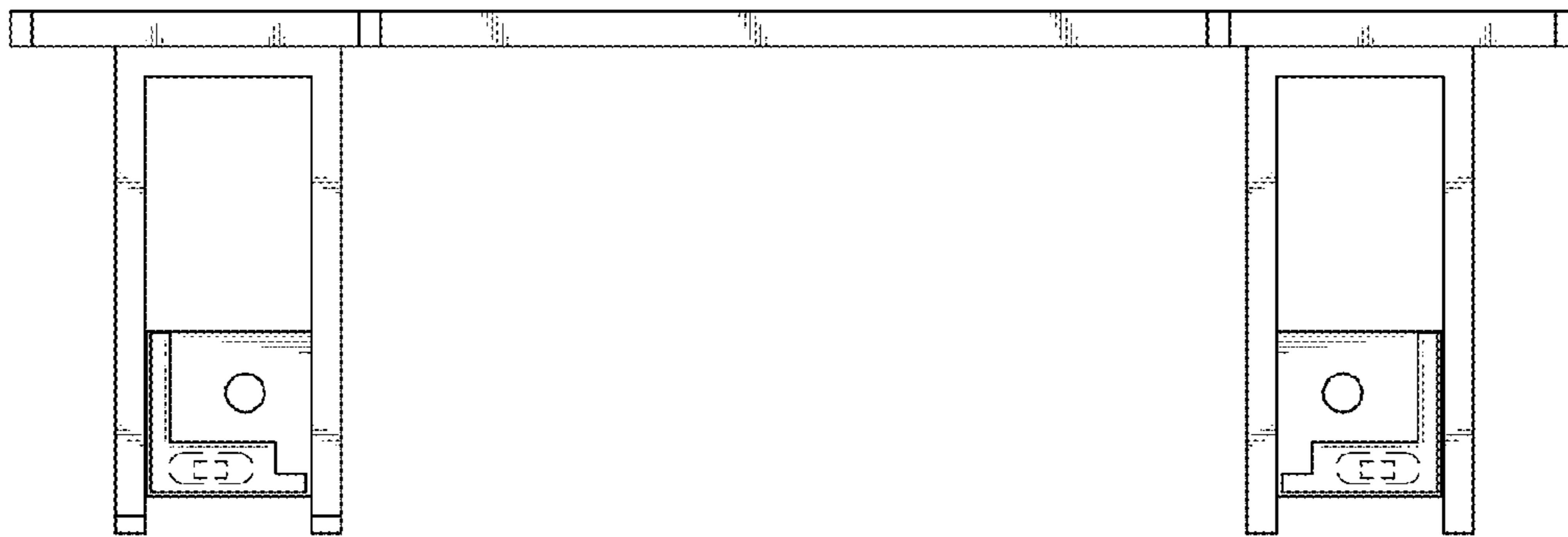


FIG. 6

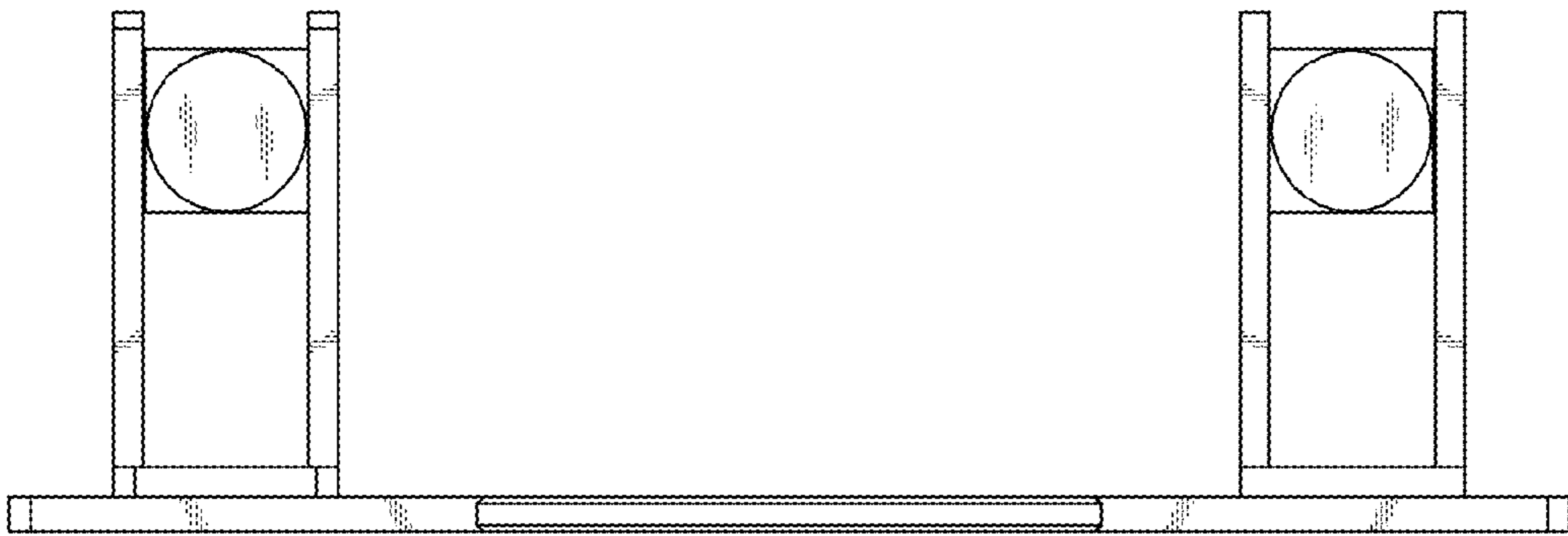


FIG. 7