



US00D719597S

(12) **United States Design Patent**
Pender

(10) **Patent No.:** **US D719,597 S**

(45) **Date of Patent:** **** Dec. 16, 2014**

(54) **BANNER HEM SEALING APPARATUS**

(56) **References Cited**

(76) Inventor: **Michael L Pender**, Ann Arbor, MI (US)

U.S. PATENT DOCUMENTS

(**) Term: **14 Years**

D442,198	S	*	5/2001	Yamashita	D15/145
D454,895	S	*	3/2002	Sakata et al.	D15/146
D669,510	S	*	10/2012	de la Hamayde	D15/146
2011/0067280	A1	*	3/2011	Pender	40/604
2012/0204521	A1	*	8/2012	Webb	53/507
2012/0285129	A1	*	11/2012	Kamigaito et al.	53/548
2013/0104286	A1	*	5/2013	Shawver et al.	2/168
2013/0326995	A1	*	12/2013	Farneti	53/375.9

(21) Appl. No.: **29/429,745**

(22) Filed: **Aug. 15, 2012**

* cited by examiner

Related U.S. Application Data

(63) Continuation-in-part of application No. 12/648,712, filed on Dec. 29, 2009, now abandoned.

Primary Examiner — Patricia Palasik

(74) *Attorney, Agent, or Firm* — Jelic Patent Services, LLC; Stanley E. Jelic

(51) **LOC (10) Cl.** **15-99**

(57) **CLAIM**

(52) **U.S. Cl.**

I claim the ornamental design of a banner hem sealing apparatus, as shown and described.

USPC **D15/146**

DESCRIPTION

(58) **Field of Classification Search**

USPC D15/145, 146; 3/258; 53/260, 284.7, 53/373.2-373.8, 405, 432, 433, 434, 526, 53/529, 570-572, 579; 355/93, 94; 400/613, 613.1-613.4, 691-694

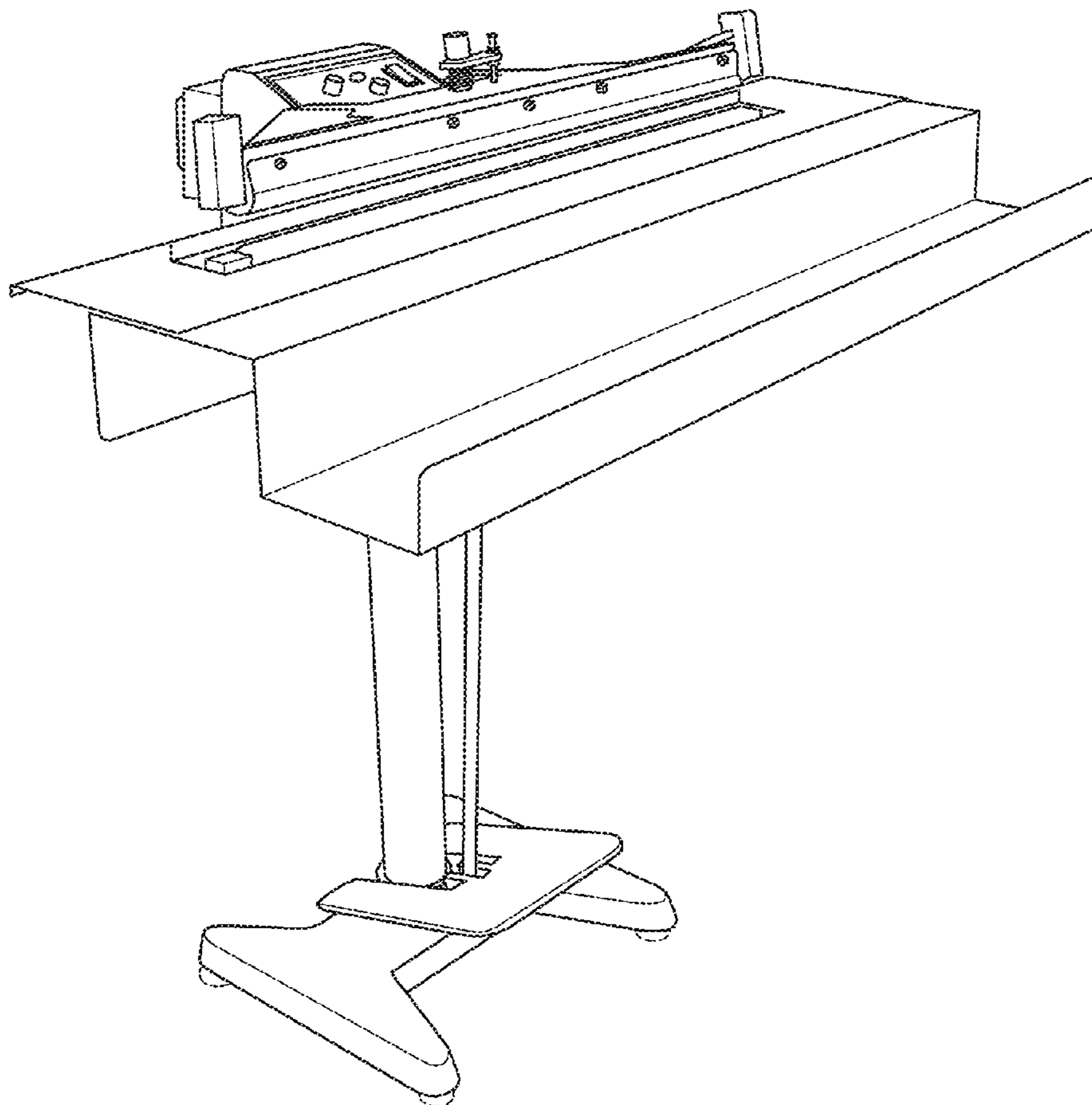
FIG. 1 is a perspective front view of the banner hem sealing apparatus.

FIG. 2 is a perspective back view of the banner hem sealing apparatus; and,

FIG. 3 is a bottom view of the banner hem sealing apparatus.

See application file for complete search history.

1 Claim, 3 Drawing Sheets



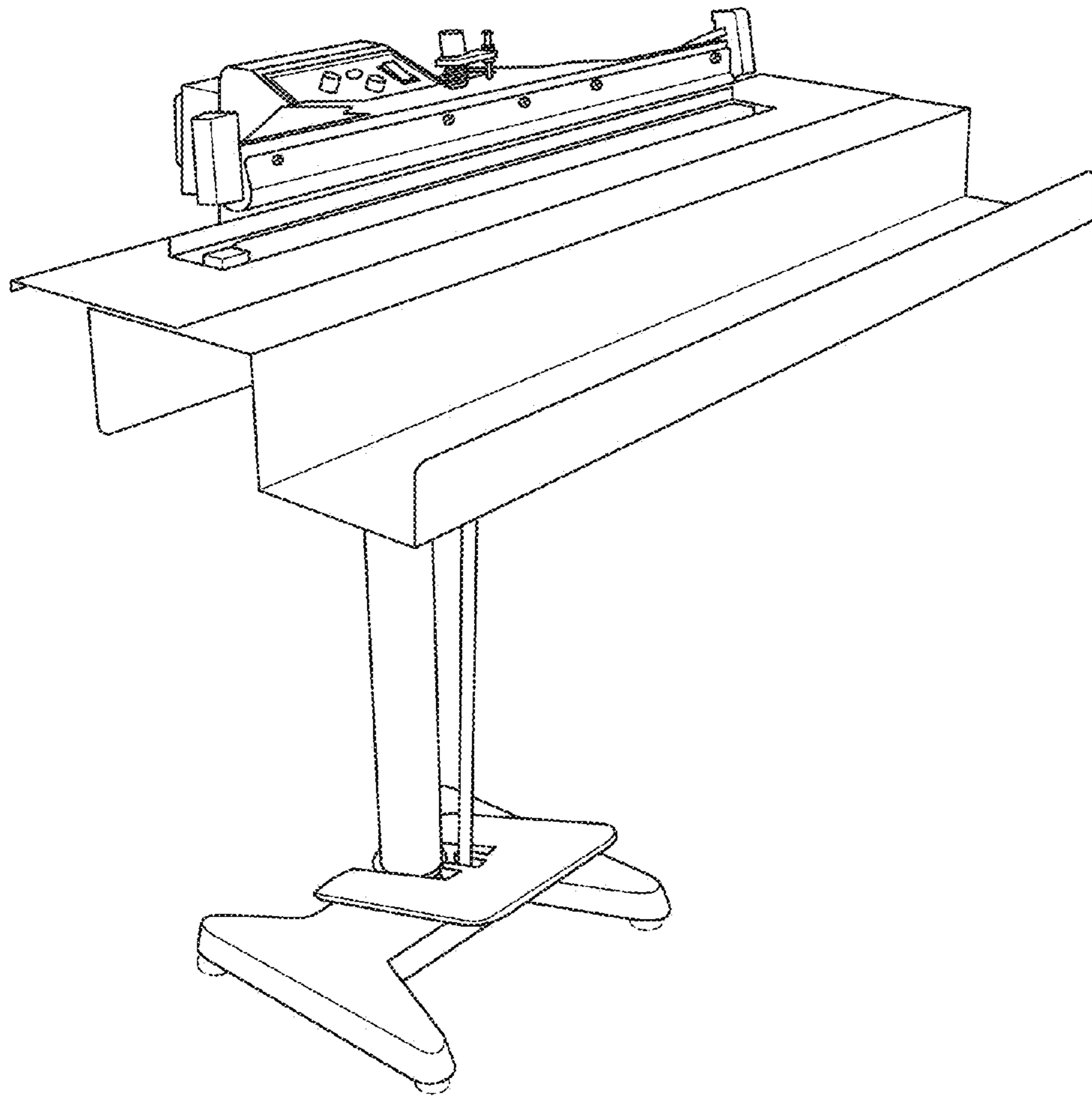


FIG. 1

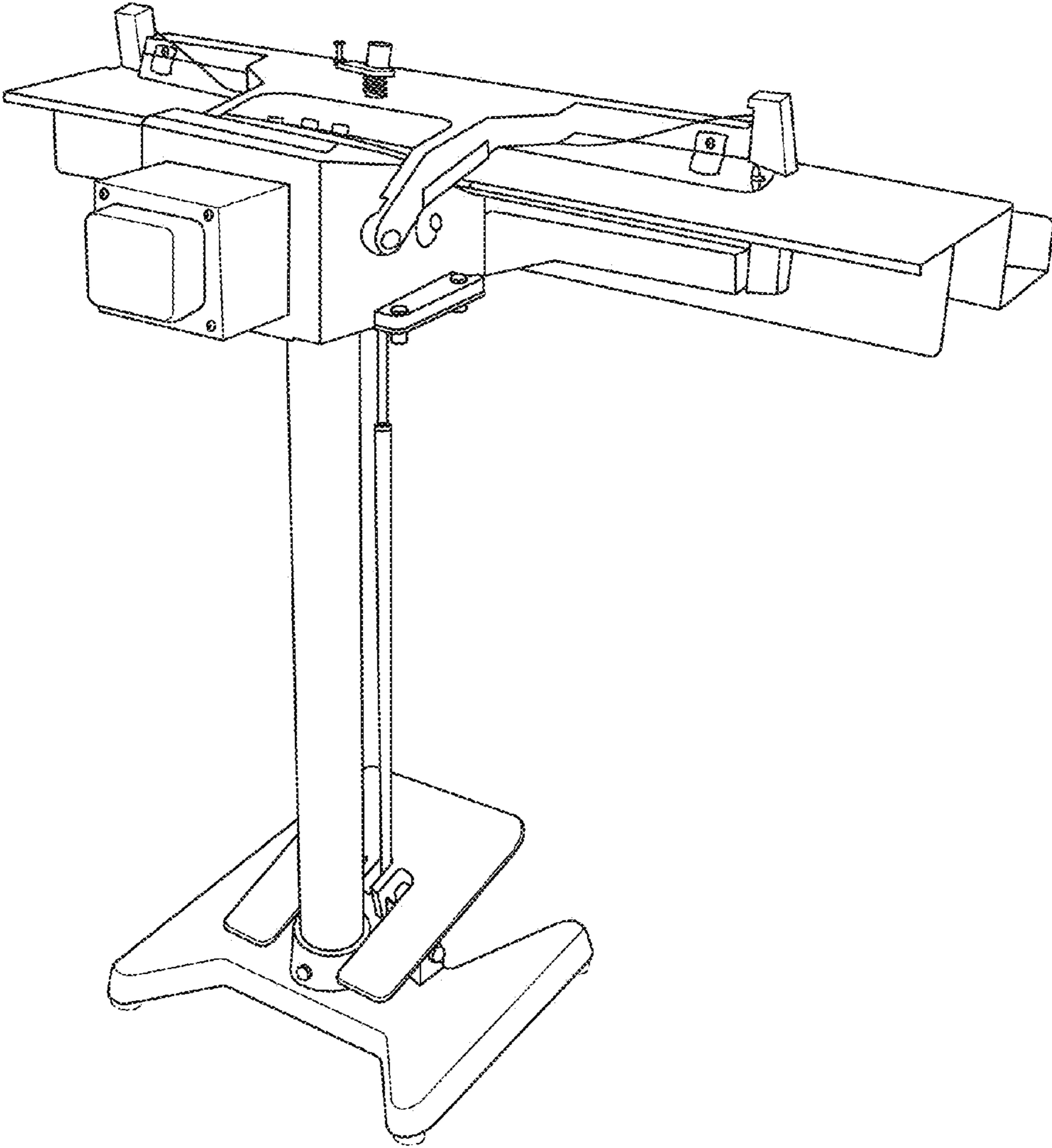


FIG. 2

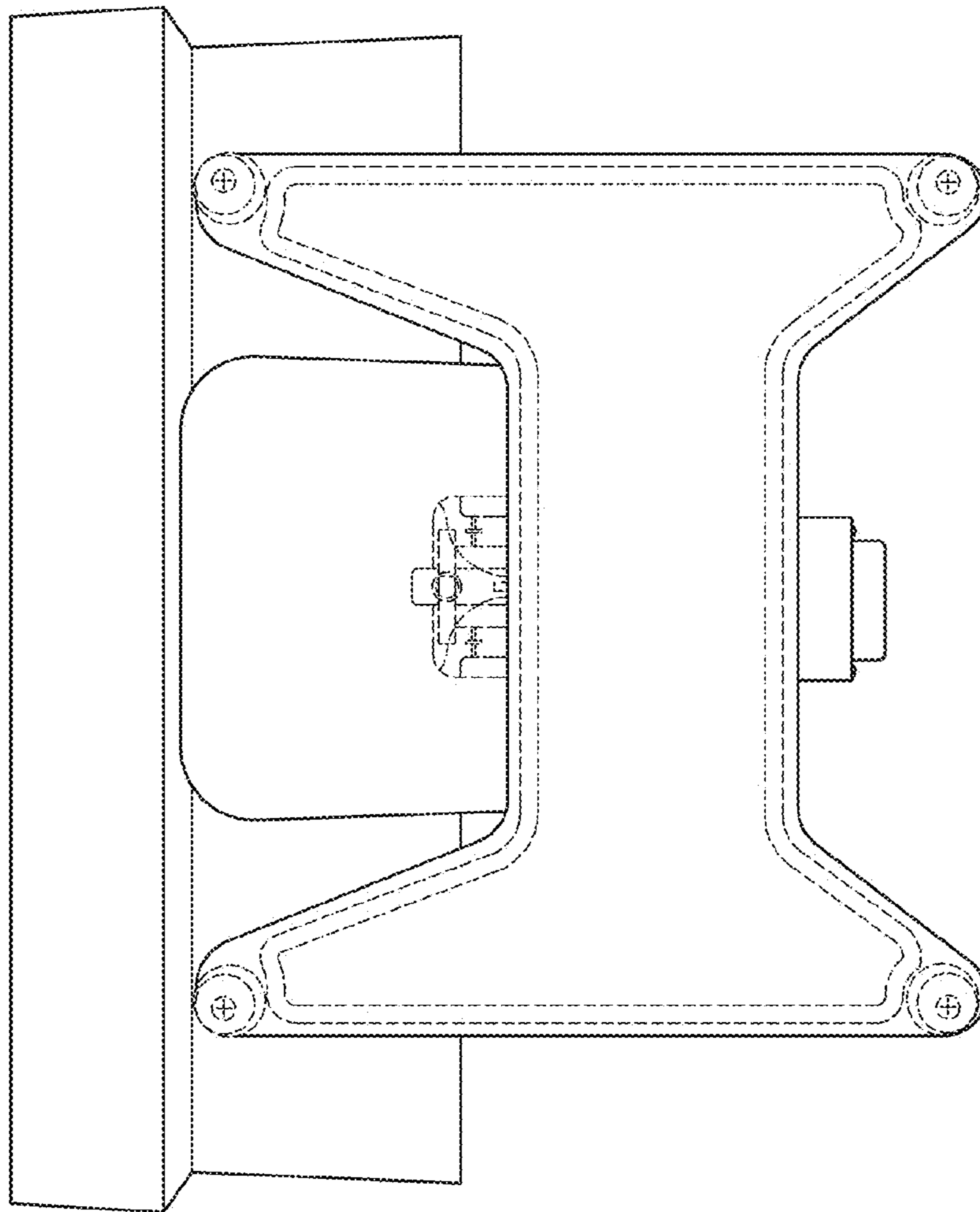


FIG. 3