



US00D719596S

(12) **United States Design Patent**
Sieber

(10) **Patent No.:** **US D719,596 S**
(45) **Date of Patent:** **** Dec. 16, 2014**

(54) **INDUCTION APPARATUS**
(71) Applicant: **SFS intec Holding AG**, Heerbrugg (CH)
(72) Inventor: **Sven Sieber**, Diepoldsau (CH)
(73) Assignee: **SFS intec Holding AG**, Heerbrugg (CH)
(**) Term: **14 Years**
(21) Appl. No.: **29/440,239**
(22) Filed: **Dec. 20, 2012**
(51) **LOC (10) Cl.** **15-09**
(52) **U.S. Cl.**
USPC **D15/144**
(58) **Field of Classification Search**
CPC B23K 28/00; B29C 63/024; B29C 65/00;
B29C 65/10; B29C 65/103; B29C 66/43;
B29C 66/472; B29C 66/861; B29C 66/1122;
B29C 66/8362; B29C 66/73921; E01C 23/14;
E04D 15/04; F23D 99/003
USPC D8/29.1, 30; D15/144, 144.1, 144.2;
156/71, 82, 304.1, 391, 497-499, 543,
156/544, 545, 551, 564, 574, 575, 579;
219/130, 424; 222/146.5, 152, 156,
222/189.06, 397

See application file for complete search history.

(56) **References Cited**

U.S. PATENT DOCUMENTS

322,153 A 7/1885 Blair et al.
332,570 A 12/1885 Stewart
835,889 A 11/1906 Moeller
855,757 A 6/1907 Crabbs
1,044,773 A 11/1912 Gillett
1,418,377 A 6/1922 Jaynes
1,908,313 A 5/1933 Brown
1,994,643 A 3/1935 Harshberger
2,003,503 A 6/1935 Eason

2,031,993 A 2/1936 Varden
2,044,782 A 6/1936 Harshberger
2,106,396 A 1/1938 Topping
2,125,694 A 8/1938 Sattig
2,144,168 A 1/1939 Sherriff
2,153,887 A 4/1939 Greider
2,153,900 A 4/1939 Taber
2,174,477 A 9/1939 Pittman
2,192,290 A 3/1940 O'Neal
2,224,370 A 12/1940 Wescott
2,226,239 A 12/1940 Elmendorf
2,241,514 A 5/1941 Jaeger
2,247,946 A 7/1941 Hein et al.
2,250,602 A 7/1941 Pierce
2,271,728 A 2/1942 Bainbridge
2,376,907 A 5/1945 Davis

(Continued)

FOREIGN PATENT DOCUMENTS

AU 15728880 4/1980
AU 2005285629 6/2006

(Continued)

Primary Examiner — Patricia Palasik

(74) *Attorney, Agent, or Firm* — Volpe and Koenig, P.C.

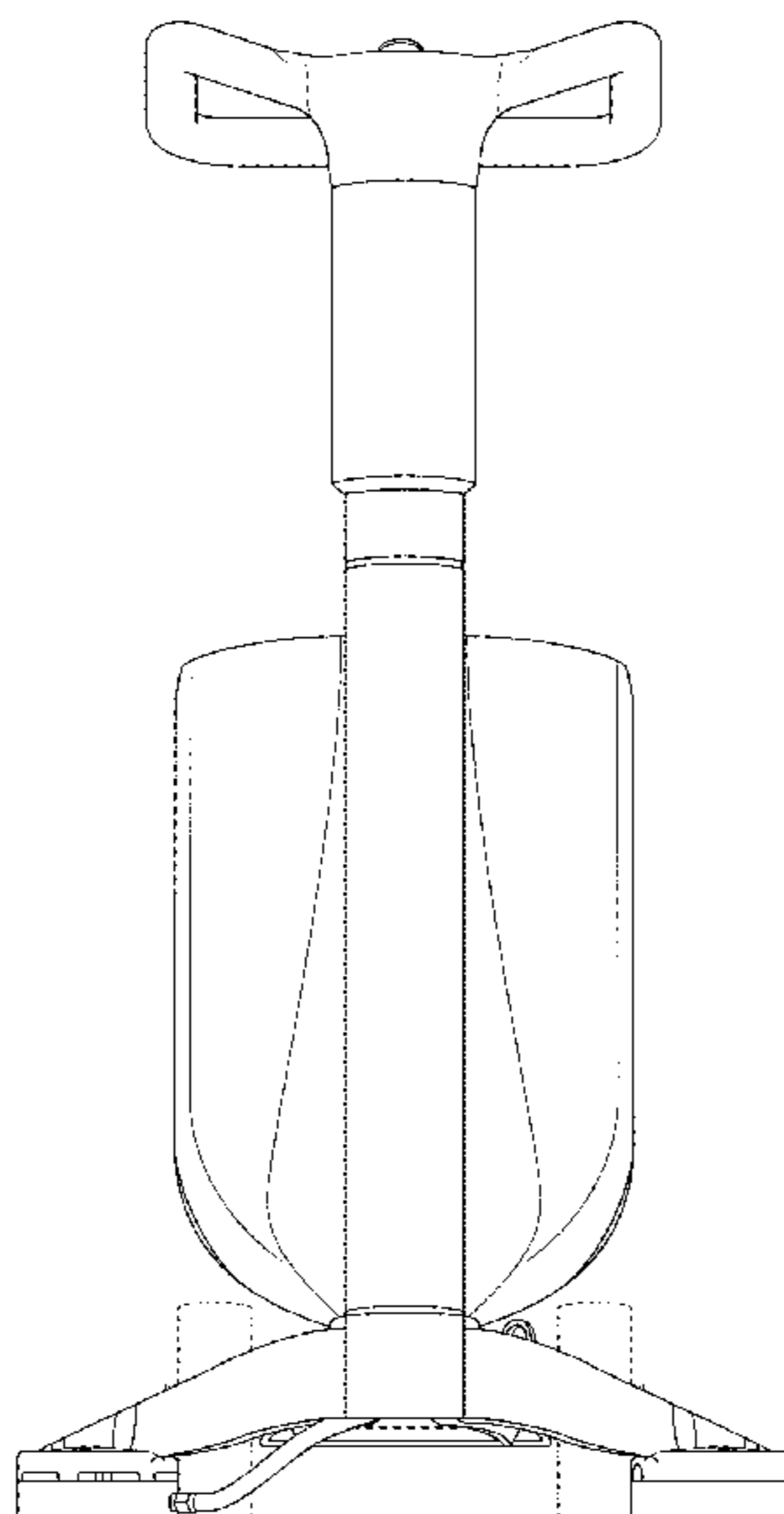
(57) **CLAIM**

The ornamental design for an induction apparatus, as shown and described.

DESCRIPTION

FIG. 1 is a front elevational view of an induction apparatus in accordance with my design;
FIG. 2 is a left side elevational view thereof;
FIG. 3 is a rear elevational view thereof;
FIG. 4 is a right side elevational view thereof;
FIG. 5 is a top plan view thereof;
FIG. 6 is a bottom view thereof;
FIG. 7 is a top, front, right perspective view thereof; and,
FIG. 8 is a top, right, rear perspective view thereof.

1 Claim, 8 Drawing Sheets



(56)

References Cited

U.S. PATENT DOCUMENTS

2,394,380	A	2/1946	Herbes	4,743,332	A	5/1988	Black
2,484,566	A	10/1949	Hiller	4,744,855	A	5/1988	Ellenberger et al.
2,709,742	A	5/1955	Perry	4,747,903	A	5/1988	Miller
2,814,710	A	11/1957	Schuetze	4,749,433	A	6/1988	Johnston
2,916,399	A	12/1959	Lechler	4,761,201	A	8/1988	Nichols, Jr.
2,960,592	A	11/1960	Pierce	4,825,616	A	5/1989	Bondoc et al.
3,007,838	A	11/1961	Eigenmann	4,834,828	A	5/1989	Murphy
3,108,586	A	10/1963	Wilson	4,841,706	A	6/1989	Resan
3,189,498	A	6/1965	Rapp	4,846,916	A	7/1989	Kobayashi et al.
3,206,818	A	9/1965	Knowlton	4,855,004	A	8/1989	Chitjian
3,291,118	A	12/1966	Wilson	4,869,044	A	9/1989	Wald
3,292,334	A	12/1966	Craig	4,872,941	A	10/1989	Lippman
3,340,125	A	9/1967	Drenning	4,894,112	A	1/1990	Lippman
3,362,397	A	1/1968	Murphy	4,913,772	A	4/1990	Taylor et al.
3,408,242	A	10/1968	Rochla	4,918,844	A	4/1990	Marsh
3,636,939	A	1/1972	Sijbring	4,919,743	A	4/1990	Johnston
3,671,371	A	6/1972	Wolf	4,923,559	A	5/1990	Kennedy et al.
3,724,445	A	4/1973	Cutler	4,932,171	A	6/1990	Beattie
3,727,346	A	4/1973	Kramer	4,977,720	A	12/1990	Kuipers
3,823,365	A	7/1974	Anderson	5,037,685	A	8/1991	Richards et al.
3,863,659	A	2/1975	Gillis	5,072,097	A	12/1991	Miller
3,894,213	A	7/1975	Agarwala	5,073,076	A	12/1991	Parkhill et al.
3,896,371	A	7/1975	Hametta	5,101,086	A	3/1992	Dion et al.
3,914,916	A	10/1975	Simpson et al.	5,110,398	A	5/1992	Murphy
3,937,640	A	2/1976	Tajima et al.	5,198,300	A	3/1993	Matthews
4,061,519	A	12/1977	Hammer	5,213,278	A	5/1993	Holbek et al.
4,087,309	A	5/1978	Lang	5,228,264	A	7/1993	Whitman
4,120,712	A	10/1978	Sindt	5,234,533	A	8/1993	Neal
4,146,419	A	3/1979	Neidhart	5,290,390	A	3/1994	Roman
4,162,597	A	7/1979	Kelly	5,300,098	A	4/1994	Philipot
4,167,259	A	9/1979	Bury	5,370,755	A	12/1994	Davis et al.
4,204,904	A	5/1980	Tabor	5,397,427	A	3/1995	Traise et al.
4,221,096	A	9/1980	Viertlboeck	RE34,917	E	4/1995	Parkhill et al.
4,238,665	A	12/1980	Tremarco	5,430,379	A	7/1995	Parkinson et al.
4,239,581	A	12/1980	Lang	5,439,540	A	8/1995	Lippman et al.
4,259,142	A	3/1981	Kortepeter	5,441,095	A	8/1995	Trethewey
4,263,553	A	4/1981	Cook	5,453,150	A	9/1995	Hoopengardner
4,268,737	A	5/1981	Paschakarnis et al.	5,486,205	A	1/1996	Cornell et al.
4,289,552	A	9/1981	Hammer	5,486,252	A	1/1996	Wong
4,313,777	A	2/1982	Buckley et al.	5,512,118	A	4/1996	Davis et al.
4,313,780	A	2/1982	Ford, Jr.	5,518,560	A	5/1996	Li
4,319,109	A	3/1982	Bowles	5,526,624	A	6/1996	Berg
4,354,893	A	10/1982	Kugler	5,538,581	A	7/1996	Gallant
4,376,007	A	3/1983	Eigenmann	5,569,352	A	10/1996	Johansen et al.
4,382,353	A	5/1983	Kelly	5,691,051	A	11/1997	Matthews
4,389,826	A	6/1983	Kelly	5,775,052	A	7/1998	Mayle
4,416,713	A	11/1983	Brooks	5,786,058	A	7/1998	Megchelsen et al.
4,418,260	A	11/1983	Detrick	5,829,214	A	11/1998	Hart
4,440,588	A	* 4/1984	Stevenson et al. 156/157	5,843,271	A	12/1998	Andrew et al.
4,447,288	A	5/1984	Seaman	5,865,919	A	2/1999	Megchelsen et al.
4,460,433	A	7/1984	Boyd	5,865,942	A	2/1999	Sinclair
4,478,669	A	10/1984	Zeller et al.	5,866,881	A	2/1999	Jones, III
4,488,335	A	12/1984	Fox et al.	5,876,084	A	3/1999	Smith et al.
4,489,018	A	12/1984	Ball	5,935,357	A	8/1999	Hubbard et al.
4,504,352	A	3/1985	Meyer	5,935,369	A	8/1999	Remerowski et al.
4,533,423	A	8/1985	Johnson et al.	6,007,662	A	12/1999	Remerowski et al.
4,540,943	A	9/1985	Akers	6,023,906	A	2/2000	Folkersen
4,546,589	A	10/1985	Seaman	6,050,317	A	4/2000	Weissfloch
4,548,016	A	10/1985	Dubich et al.	6,110,565	A	8/2000	Matthews
4,560,579	A	12/1985	Siadat et al.	6,129,809	A	10/2000	Ellenberger et al.
4,565,728	A	1/1986	Gray et al.	6,146,412	A	11/2000	Van Duren
4,571,472	A	2/1986	Pollack et al.	6,213,184	B1	4/2001	Sinclair
4,586,301	A	5/1986	Hickman	6,227,762	B1	5/2001	Van Velsor
4,610,906	A	9/1986	Brooks	6,228,107	B1	5/2001	Arnold et al.
4,630,422	A	12/1986	Beneze	6,229,127	B1	5/2001	Link
4,631,887	A	12/1986	Francovitch	6,238,502	B1	5/2001	Hubbard
4,642,155	A	2/1987	Ramsey	6,241,755	B1	6/2001	Arnold et al.
4,646,048	A	2/1987	Hunt et al.	6,309,408	B1	10/2001	Arnold et al.
4,649,686	A	3/1987	Backenstow et al.	6,451,152	B1	9/2002	Holmes et al.
4,651,490	A	3/1987	Marston	6,452,817	B1	9/2002	Yasumura
4,671,036	A	6/1987	Sullivan	6,453,964	B1	9/2002	Pfotenhauer et al.
4,695,335	A	9/1987	Lyall	6,483,080	B2	11/2002	Richards et al.
4,718,211	A	1/1988	Russell et al.	6,509,555	B1	1/2003	Riess et al.
4,725,328	A	2/1988	Arnold	6,536,498	B1	3/2003	Srinivasan et al.
4,737,213	A	4/1988	Paeglis et al.	6,537,402	B2	3/2003	Pate et al.
				6,554,947	B2	4/2003	Pfotenhauer et al.
				6,581,663	B2	6/2003	Rubenacker et al.
				6,588,475	B1	7/2003	Simon, Jr. et al.
				6,610,159	B2	8/2003	Henegar

(56)

References Cited

U.S. PATENT DOCUMENTS

6,639,197 B2 10/2003 Riess et al.
 6,639,198 B2 10/2003 Riess et al.
 6,640,511 B1 11/2003 Link
 6,646,232 B2 11/2003 Richards et al.
 6,666,879 B2 12/2003 Arnold et al.
 6,684,926 B2 2/2004 Matechuk
 6,710,314 B2 3/2004 Reiss et al.
 6,794,449 B2 9/2004 Fisher
 6,815,650 B1 11/2004 Bartz
 D501,855 S 2/2005 Burns
 6,849,837 B2 2/2005 Riess et al.
 6,864,195 B2 3/2005 Peng
 6,866,077 B2 * 3/2005 Zurmuhle et al. 156/391
 6,875,966 B1 4/2005 Barber et al.
 6,921,886 B2 7/2005 Holzer et al.
 6,952,901 B2 10/2005 Jacques et al.
 6,953,914 B2 10/2005 Suzuki et al.
 6,965,098 B2 11/2005 Bartz
 6,973,951 B2 12/2005 Henegar
 7,022,946 B2 4/2006 Sanoner et al.
 7,028,941 B2 4/2006 Ibrahim et al.
 7,037,864 B2 5/2006 Faucher
 7,041,946 B2 5/2006 Bartz
 7,045,750 B2 5/2006 Holzer et al.
 7,061,832 B1 6/2006 Lansing
 7,094,298 B2 8/2006 Schwetz
 7,141,767 B2 11/2006 Holzer et al.
 7,141,768 B2 11/2006 Malofsky et al.
 7,178,306 B2 2/2007 Fritz
 7,202,450 B2 4/2007 Barber et al.
 7,220,948 B2 5/2007 Holzer et al.
 7,234,284 B2 6/2007 Paradise et al.
 7,244,268 B2 7/2007 Arnold et al.
 D552,952 S 10/2007 Horner et al.
 D556,526 S 12/2007 Horner et al.
 7,305,177 B2 12/2007 Rantzen
 7,310,921 B2 12/2007 Williams
 7,316,099 B2 1/2008 Faulkner et al.
 7,316,521 B2 1/2008 Shiimoto et al.
 7,347,244 B2 3/2008 Vaillancourt
 7,399,949 B2 7/2008 Barber et al.
 7,430,837 B2 10/2008 Hubbard
 7,455,475 B2 11/2008 Plasonig et al.
 7,491,916 B1 2/2009 Barber et al.
 7,549,303 B2 6/2009 Callaway et al.
 D598,739 S 8/2009 Jimenez
 7,578,837 B2 8/2009 Arnold et al.
 7,588,523 B2 9/2009 Horner et al.
 7,631,678 B2 12/2009 Cartier et al.
 7,685,657 B1 3/2010 Hernandez
 7,712,275 B2 5/2010 Kelly
 D621,430 S * 8/2010 Christen et al. D15/144
 7,779,614 B1 8/2010 McGonagle et al.
 7,814,584 B2 10/2010 Robles
 7,818,950 B1 10/2010 McGonagle et al.
 7,935,202 B2 5/2011 Stanley
 7,946,101 B1 5/2011 McGonagle et al.
 7,971,414 B1 7/2011 McGonagle et al.
 7,997,786 B2 8/2011 Liu
 7,999,210 B2 8/2011 Kuibira et al.
 8,016,789 B2 9/2011 Grant et al.
 8,034,026 B2 10/2011 Grant et al.
 8,043,451 B2 10/2011 Herz et al.
 8,063,141 B2 11/2011 Fisher
 8,066,672 B2 11/2011 Mandro

8,079,191 B2 12/2011 Martin
 8,080,117 B1 12/2011 Lasko
 8,092,631 B2 1/2012 Germain et al.
 8,317,963 B2 11/2012 Langtry
 2004/0048537 A1 3/2004 Holzer et al.
 2004/0140304 A1 7/2004 Leyendecker
 2005/0103437 A1 5/2005 Carroll
 2006/0237448 A1 10/2006 Barber et al.
 2009/0321423 A1 12/2009 Challita et al.

FOREIGN PATENT DOCUMENTS

BE 505396 9/1951
 DE 2359674 6/1975
 DE 4318563 12/1994
 DE 19803045 8/1999
 DE 60300533 2/2006
 EP 0121906 10/1984
 EP 0237657 3/1986
 EP 0559610 10/1995
 EP 0735210 10/1996
 EP 0884609 12/1998
 EP 0819202 1/2000
 EP 1077296 2/2001
 EP 0816052 7/2001
 EP 1197314 4/2002
 EP 0955151 6/2003
 EP 1820653 10/2004
 EP 1522246 4/2005
 EP 1624129 2/2006
 EP 1226742 12/2006
 EP 1080608 5/2007
 EP 1962019 8/2008
 EP 1962561 8/2008
 EP 1737988 7/2009
 FR 2822814 10/2002
 FR 2822815 10/2002
 FR 2913099 6/2007
 FR 2594888 7/2011
 GB 843807 8/1960
 GB 1499801 2/1978
 GB 1507851 4/1978
 GB 2121355 12/1983
 JP 1200937 8/1989
 JP 1203825 8/1989
 JP 5315064 11/1993
 JP 6111924 4/1994
 JP 10083884 3/1998
 JP 2005307737 11/2005
 NL 1000032 10/1996
 SU 419605 11/1974
 SU 473786 6/1975
 WO 9631670 10/1996
 WO 9818877 5/1998
 WO 0026011 5/2000
 WO 0133909 5/2001
 WO 0166867 9/2001
 WO 0183184 11/2001
 WO 0185436 11/2001
 WO 03011572 2/2003
 WO 2005069694 7/2005
 WO 2006104740 10/2006
 WO 2008010833 1/2008
 WO 2008075910 6/2008
 WO 2008075912 6/2008
 WO 2009103981 8/2009
 WO 2011076945 6/2011

* cited by examiner

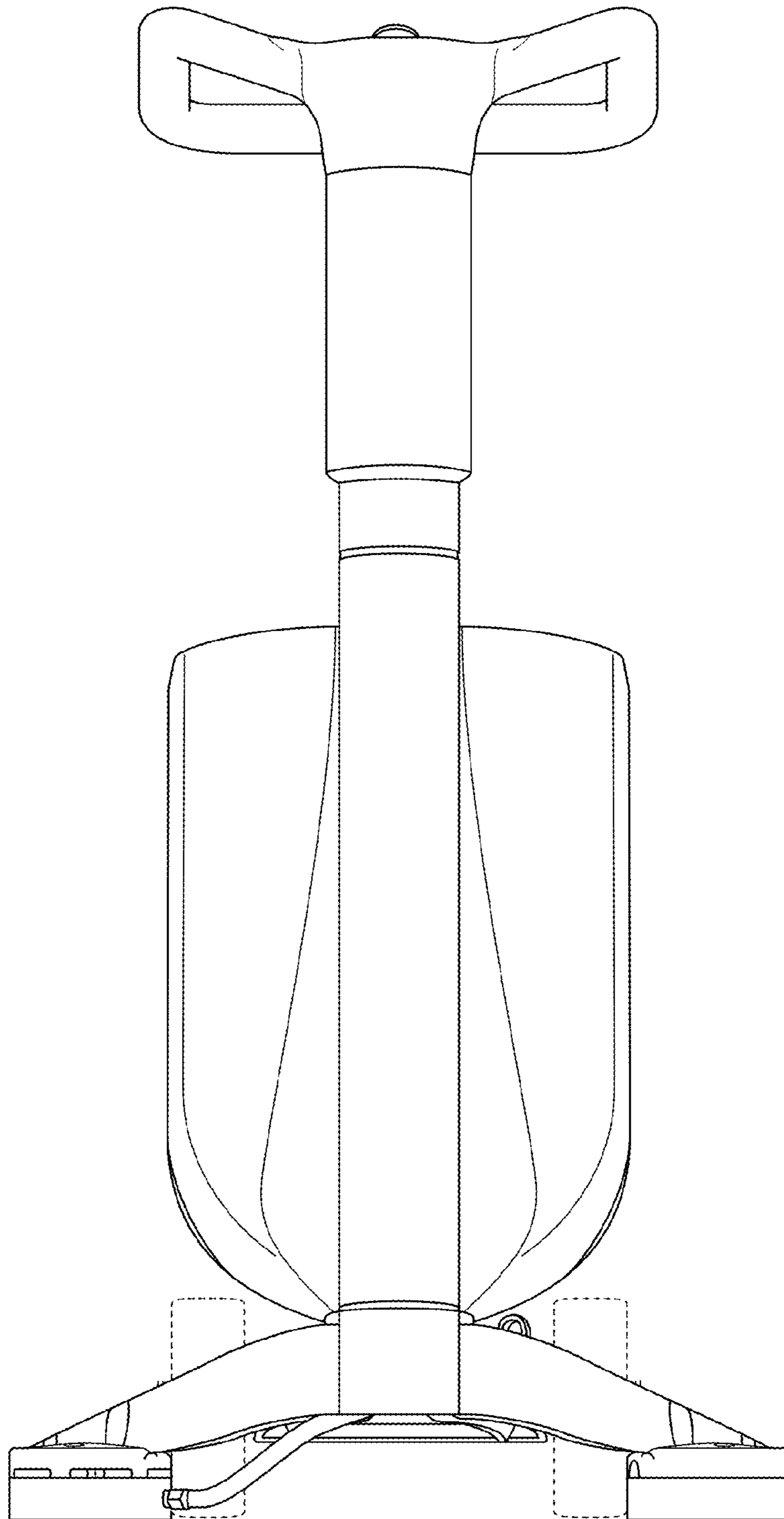


FIG. 1

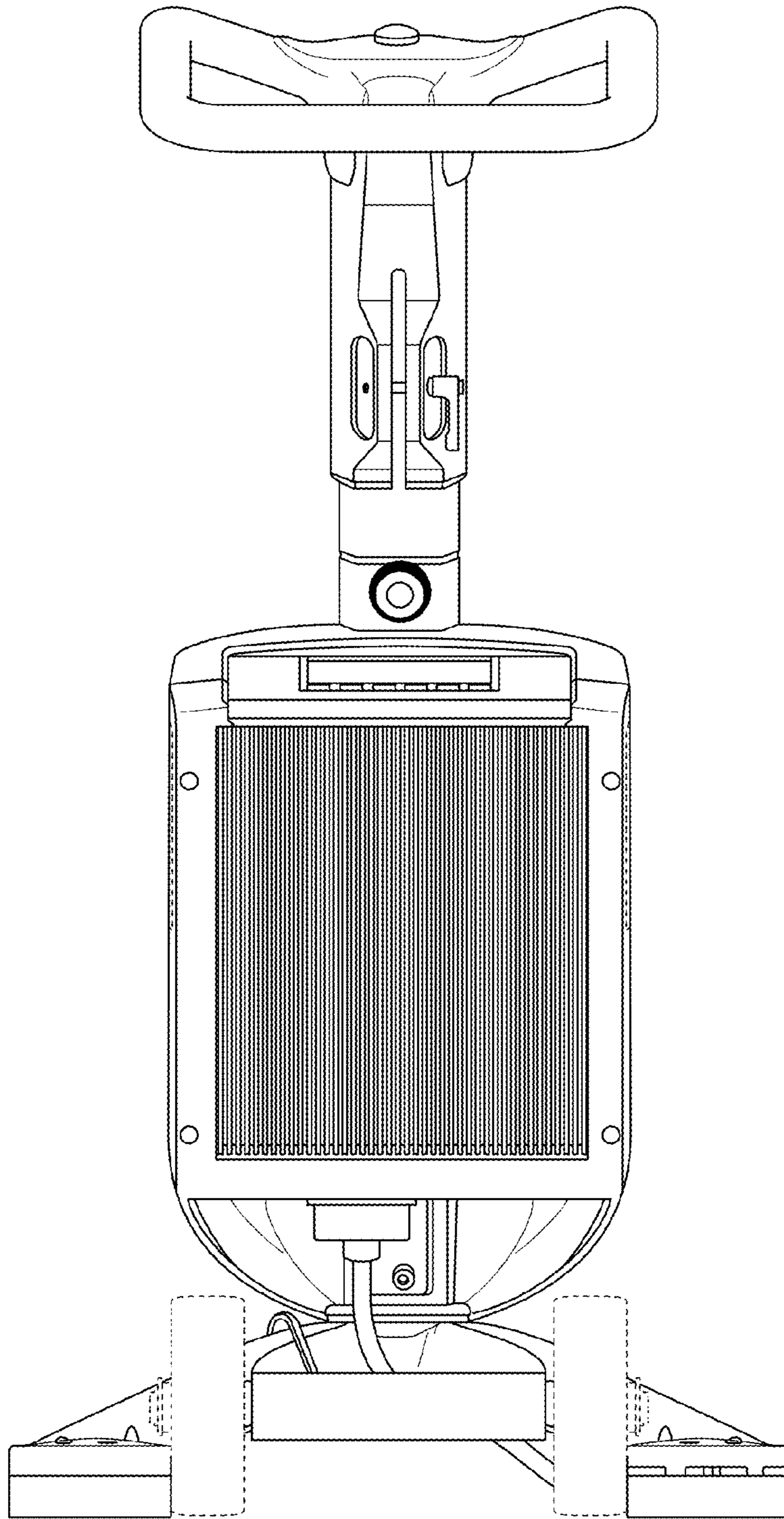


FIG. 3

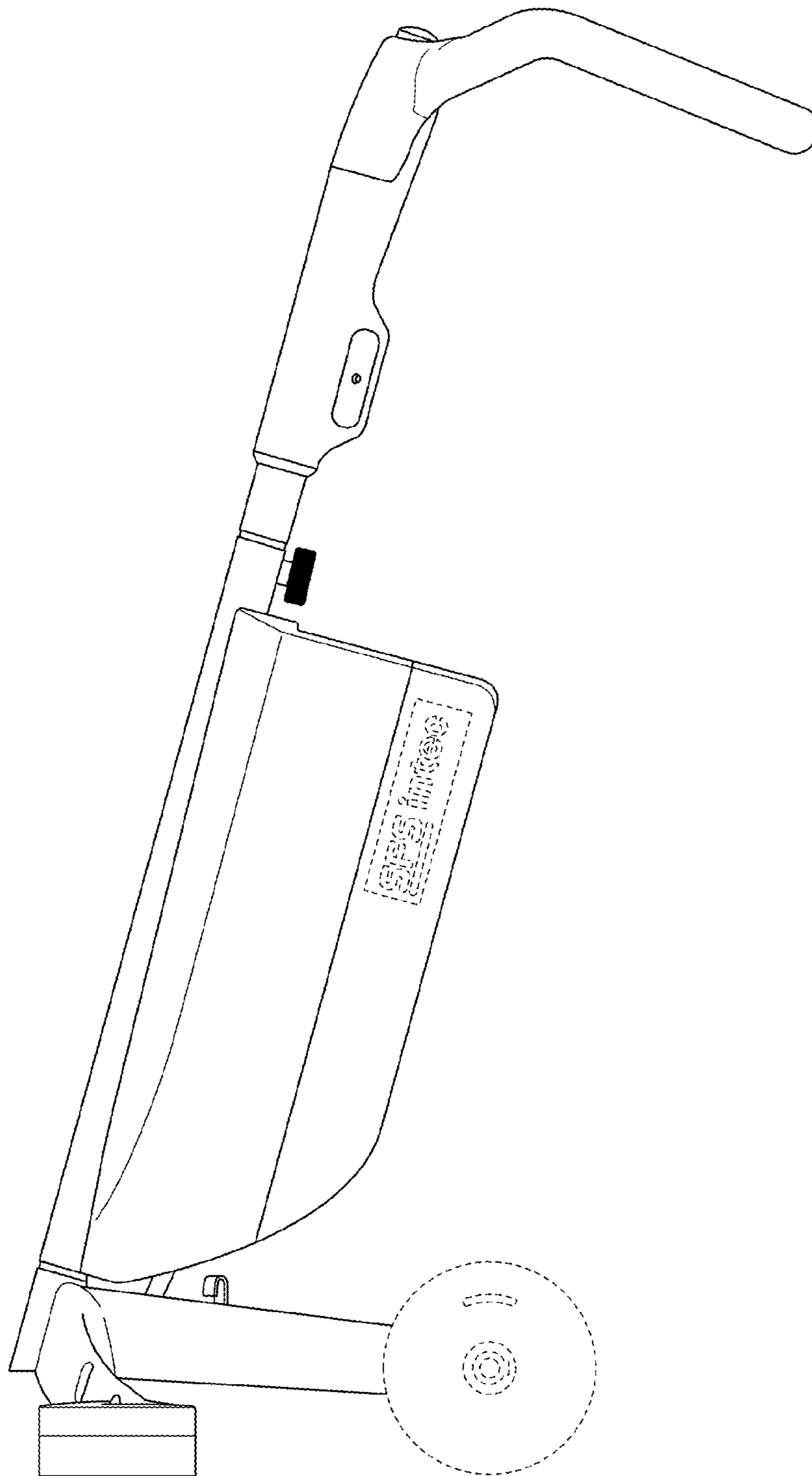


FIG. 4

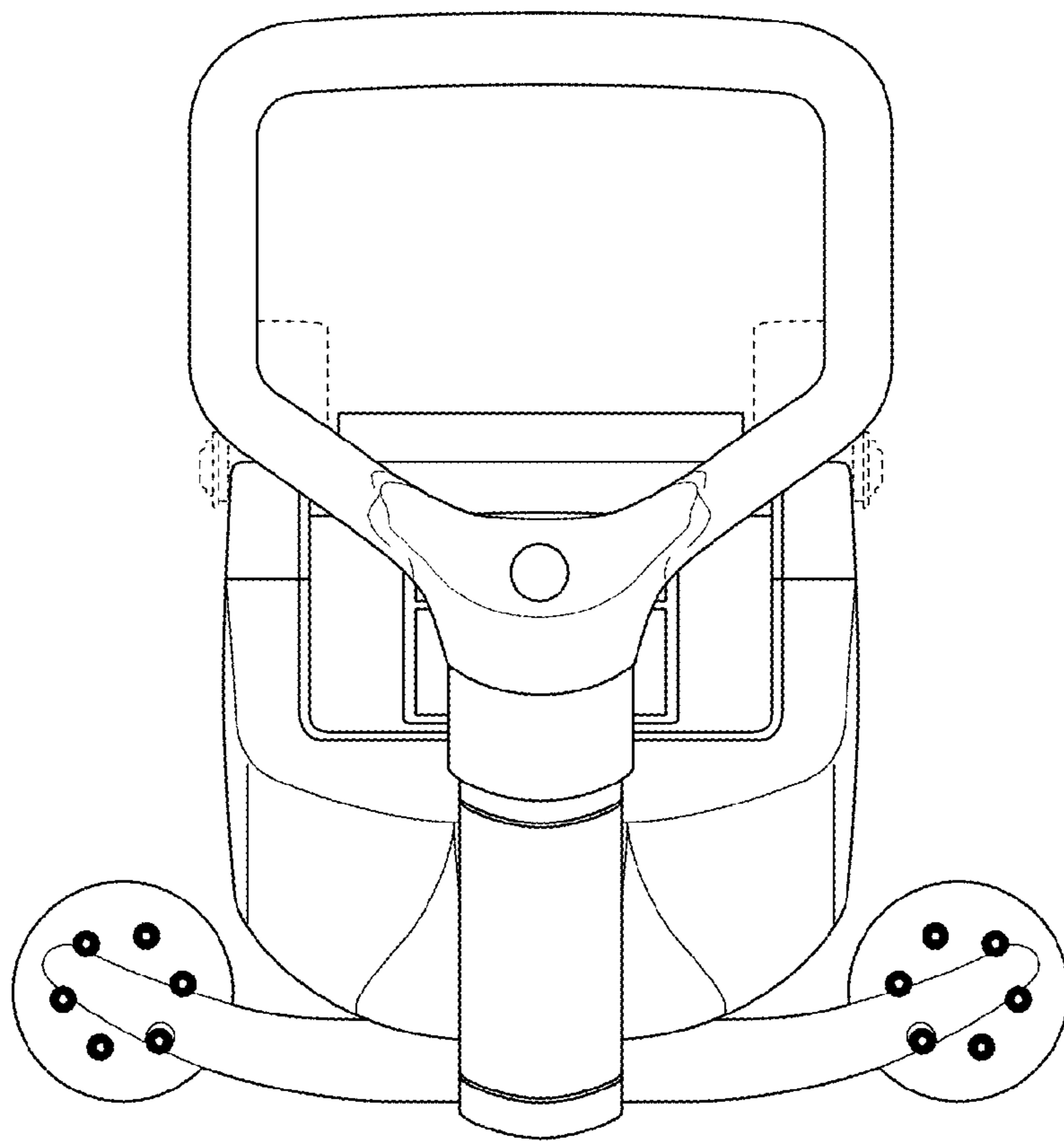


FIG. 5

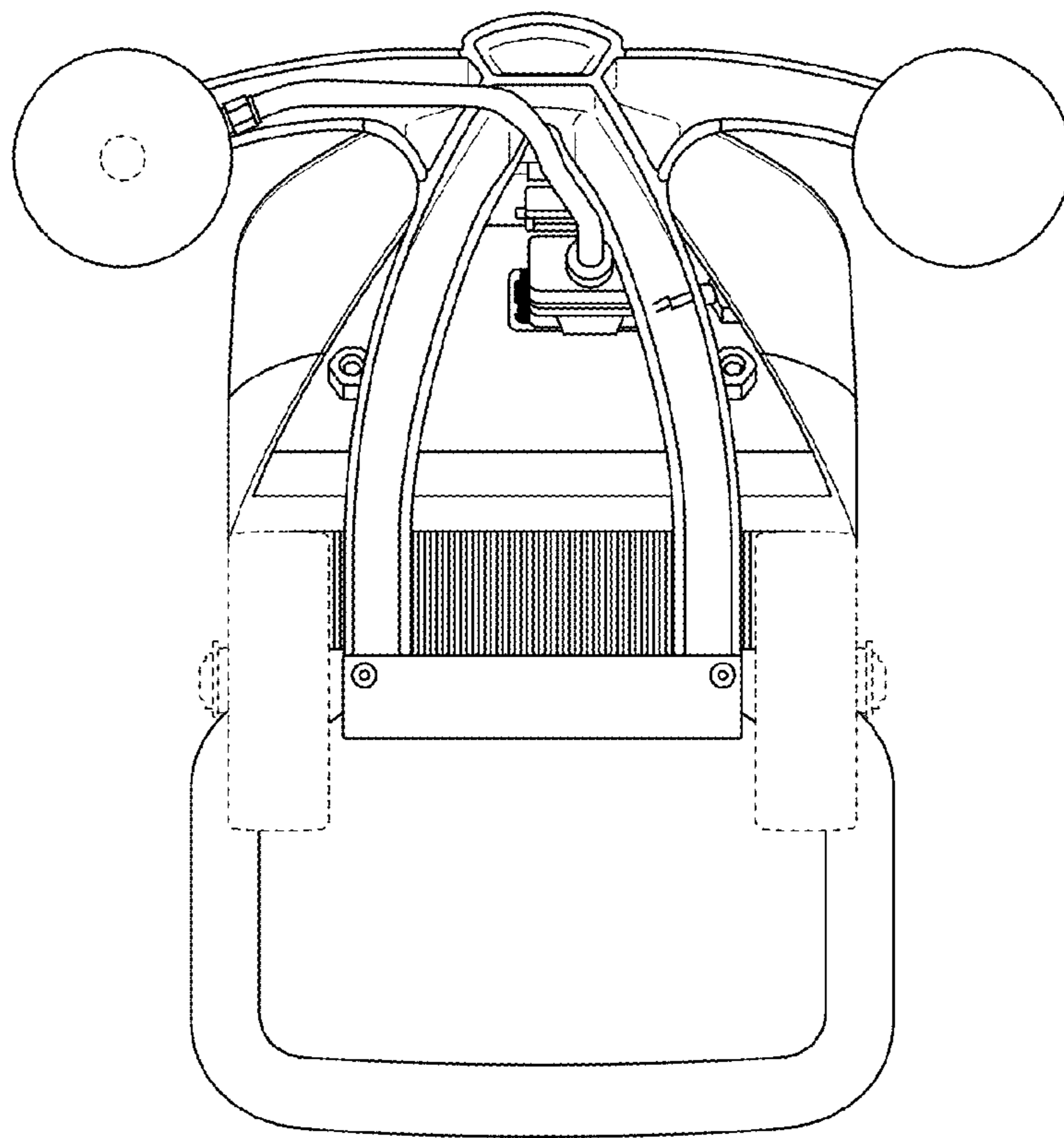


FIG. 6

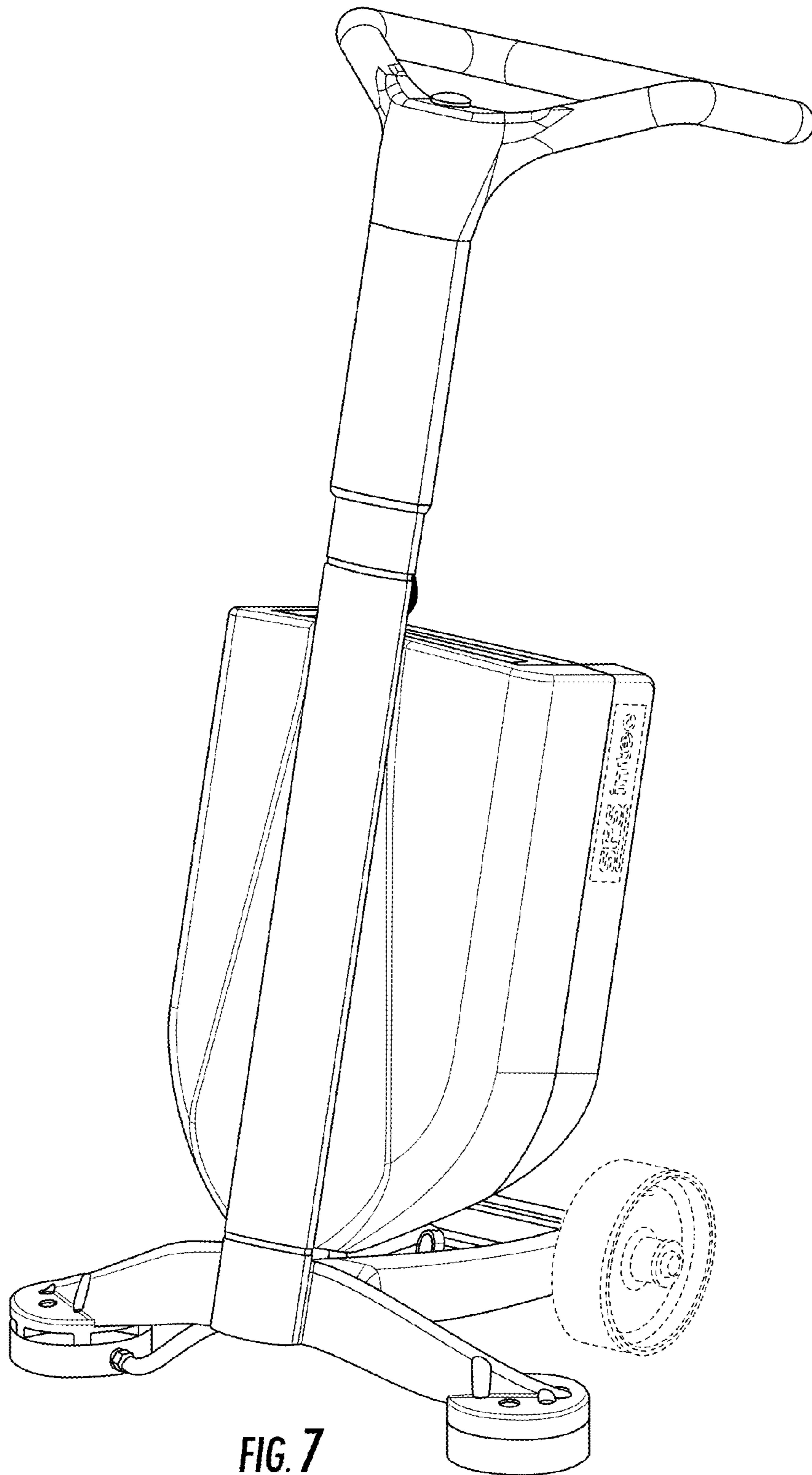


FIG. 7

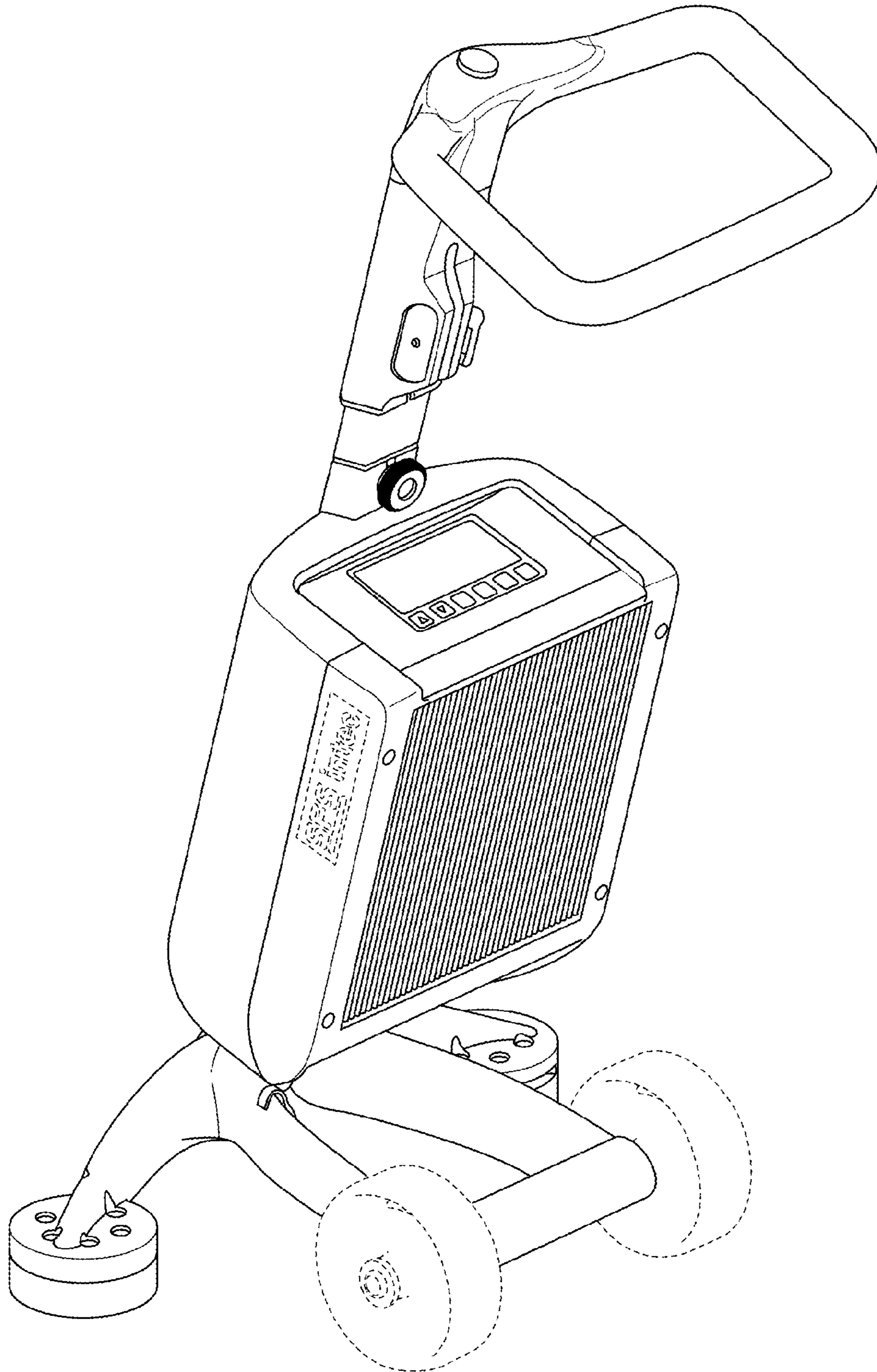


FIG. 8