



US00D719595S

(12) **United States Design Patent**
Landerholm et al.

(10) **Patent No.:** **US D719,595 S**
(45) **Date of Patent:** **** Dec. 16, 2014**

(54) **LINEAR ACTUATOR**

(71) Applicant: **Linak A/S**, Nordborg (DK)
(72) Inventors: **John Landerholm**, Risskov (DK); **Peter B. Lund**, Aarhus V (DK)
(73) Assignee: **Linak A/S**, Nordborg (DE)
(**) Term: **14 Years**
(21) Appl. No.: **29/499,141**
(22) Filed: **Aug. 12, 2014**

(30) **Foreign Application Priority Data**

May 20, 2014 (DK) 001414346-0001

(51) **LOC (10) Cl.** **15-09**

(52) **U.S. Cl.**
USPC **D15/143**

(58) **Field of Classification Search**
USPC D13/118, 158, 162, 184; D15/1-5, 7, 9,
D15/143, 148, 149, 199; 74/89.15, 90.15,
74/411.5, 411.54, 490.09; 297/14, 325,
297/327; 310/10, 12, 15, 20, 20.8, 80, 300

See application file for complete search history.

(56) **References Cited**

U.S. PATENT DOCUMENTS

D577,753 S * 9/2008 Lund et al. D15/143
D595,753 S * 7/2009 Tseng D15/143
D620,961 S * 8/2010 Iversen D15/143
D695,799 S * 12/2013 Landerholm D15/143

* cited by examiner

Primary Examiner — Patricia Palasik

(74) *Attorney, Agent, or Firm* — Dykema Gossett PLLC

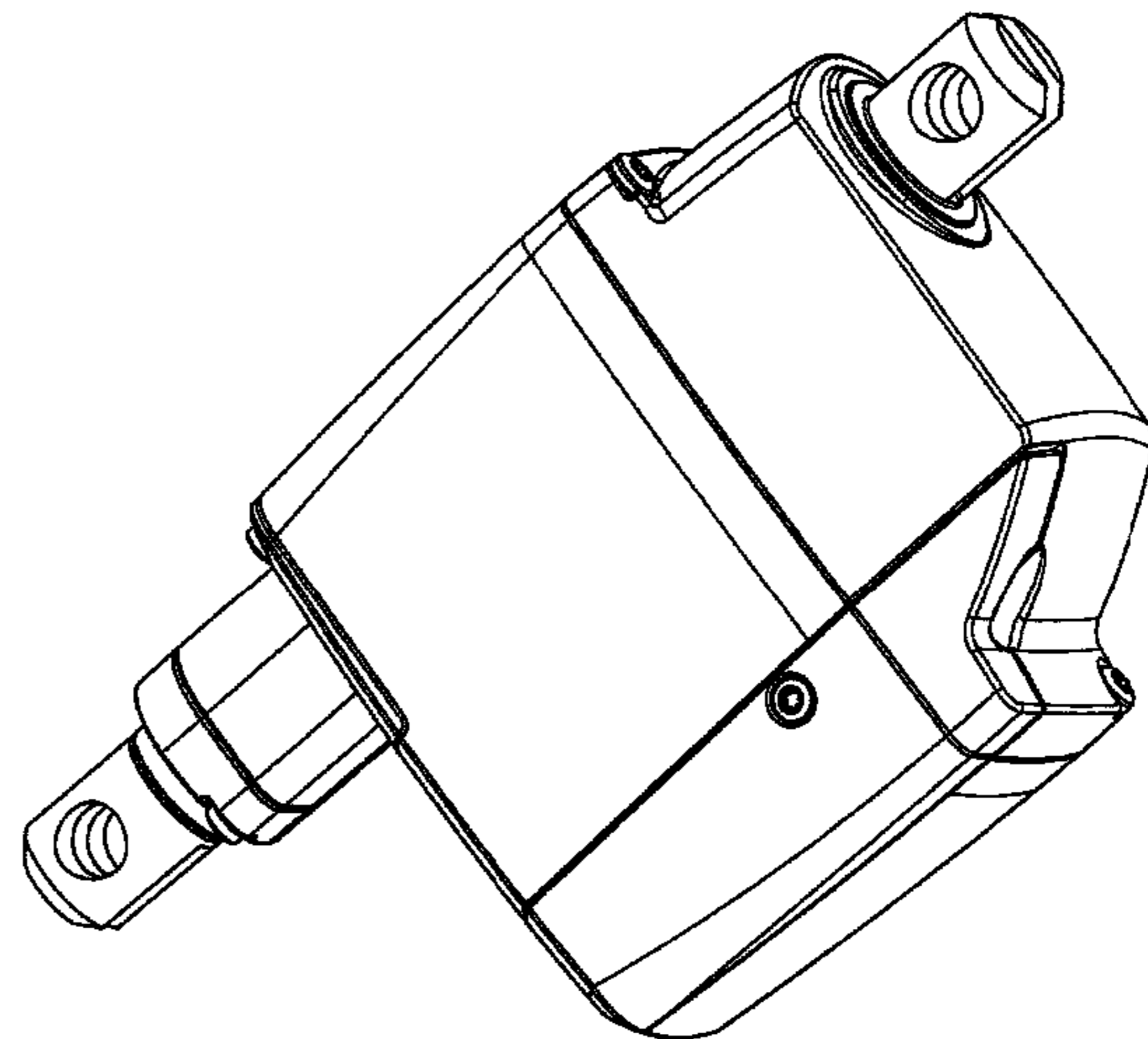
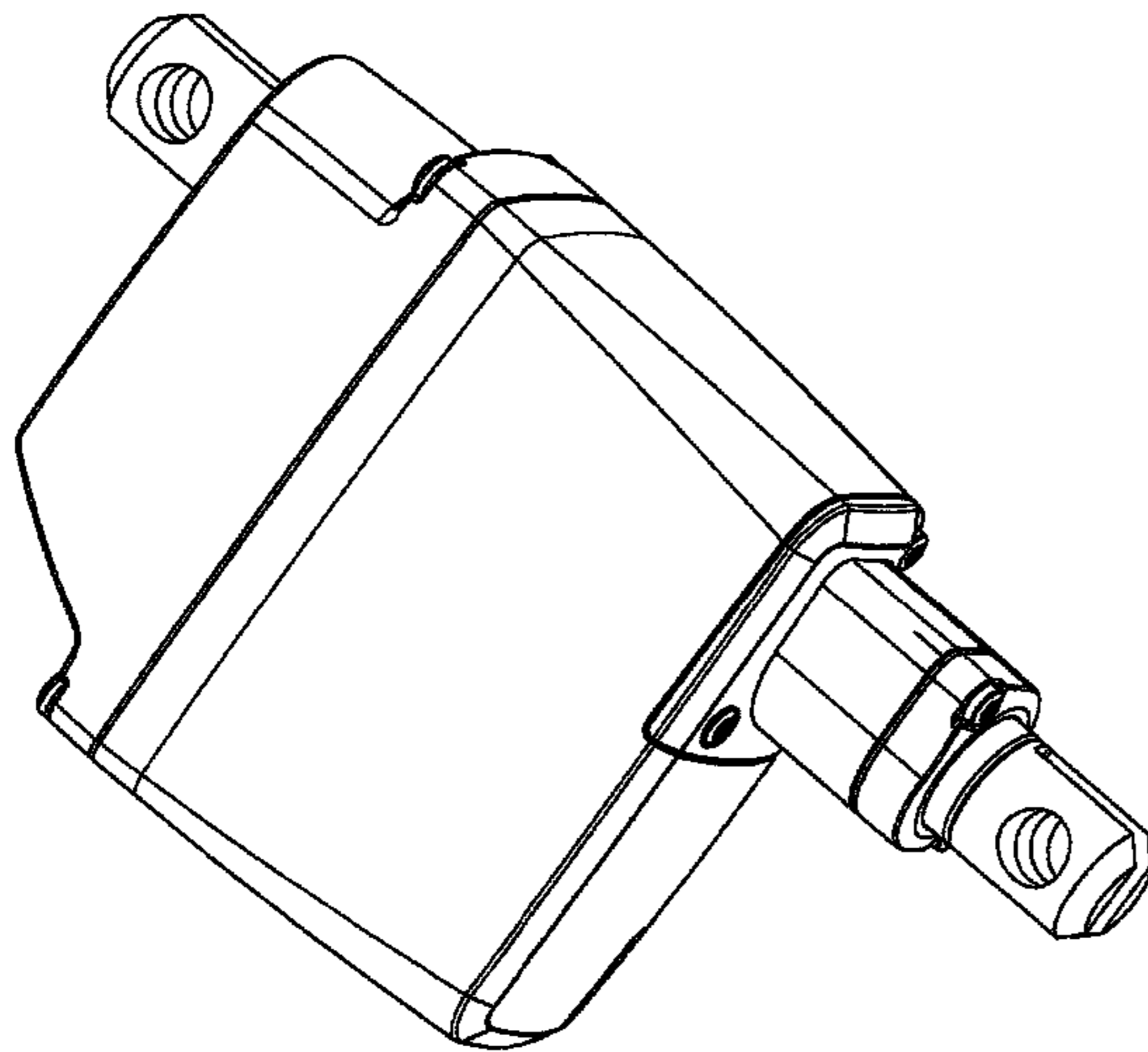
(57) **CLAIM**

The ornamental design for a linear actuator, as shown and described.

DESCRIPTION

FIG. 1 is a perspective right side view of a linear actuator showing our new and ornamental design, FIG. 2 is a perspective left side view thereof, FIG. 3 is an elevational right side view thereof, FIG. 4 is an elevational left side view thereof, FIG. 5 is a top plan view thereof, FIG. 6 is a bottom plan view thereof, FIG. 7 is an elevational front view thereof; and, FIG. 8 is an elevational rear view thereof.

1 Claim, 8 Drawing Sheets



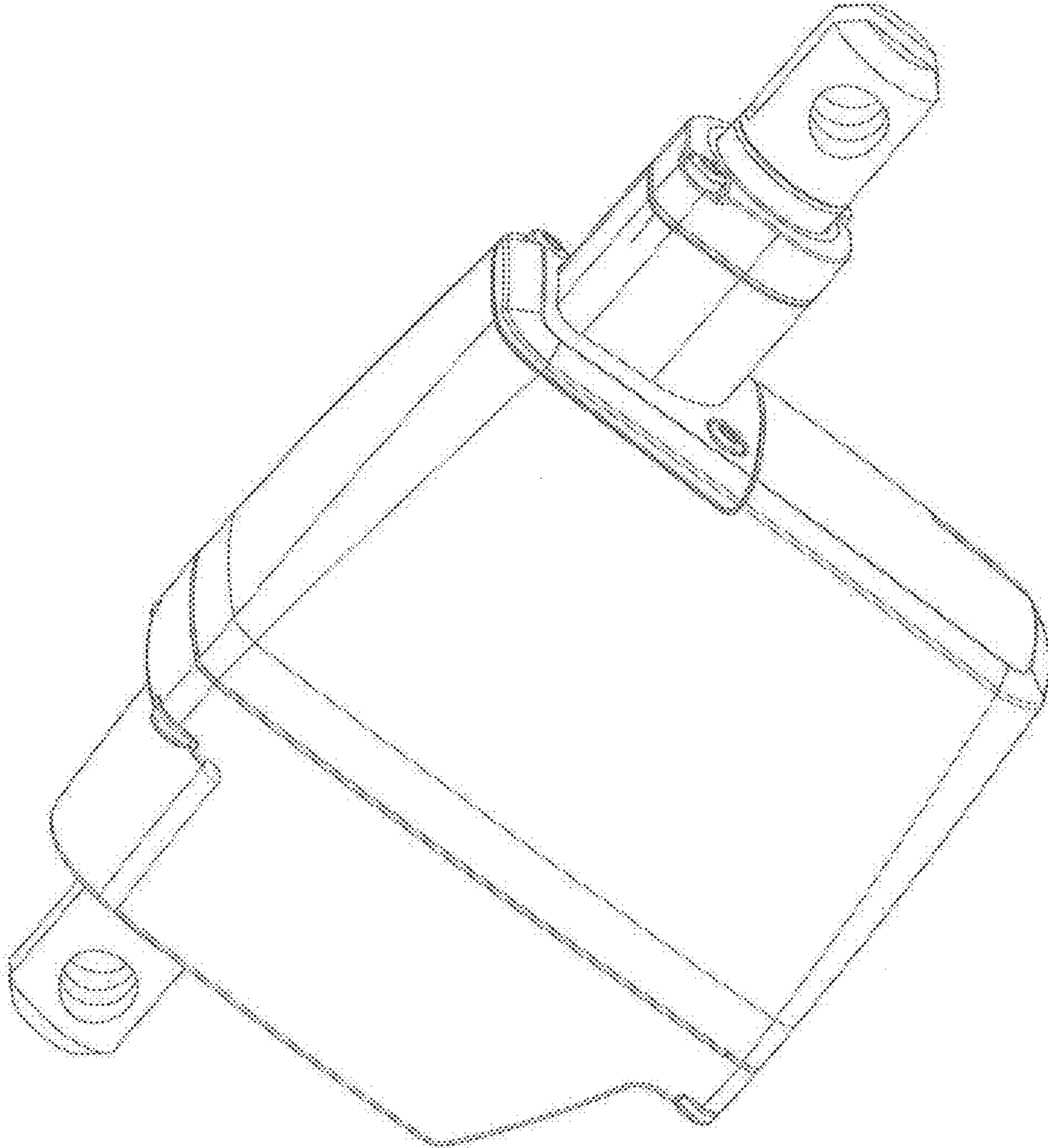


Fig. 1

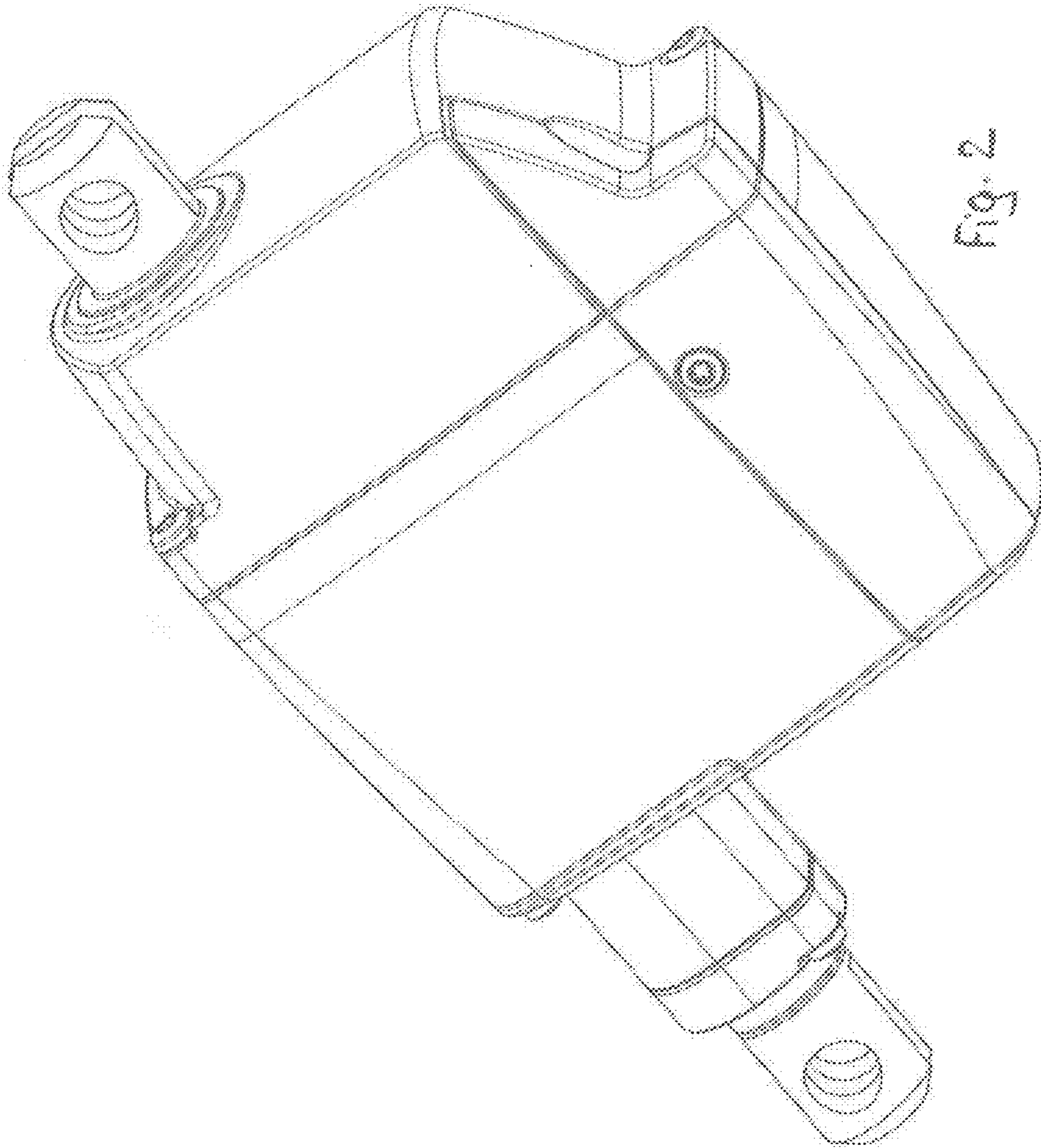


Fig. 2

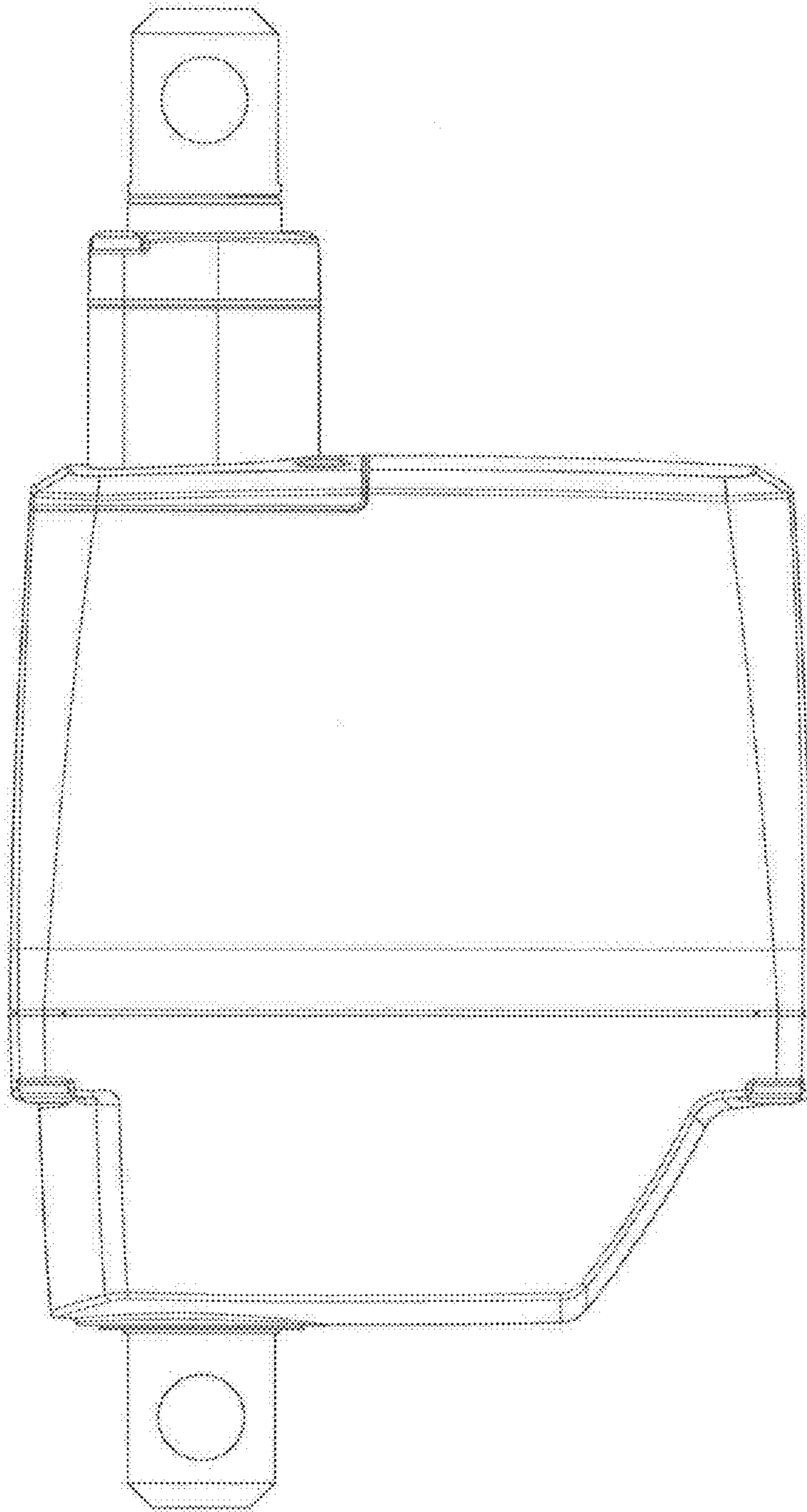


Fig. 3

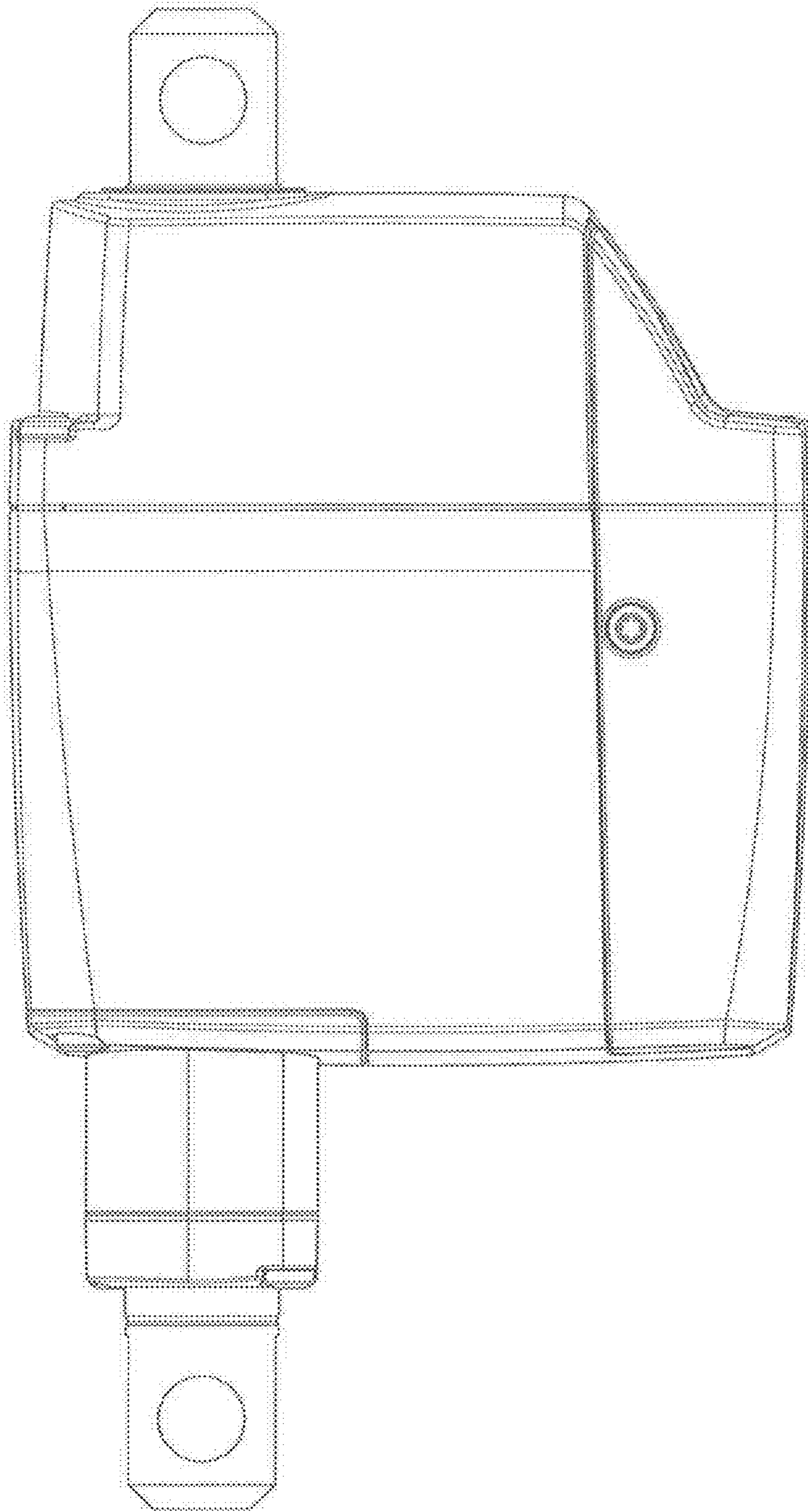


Fig. 4

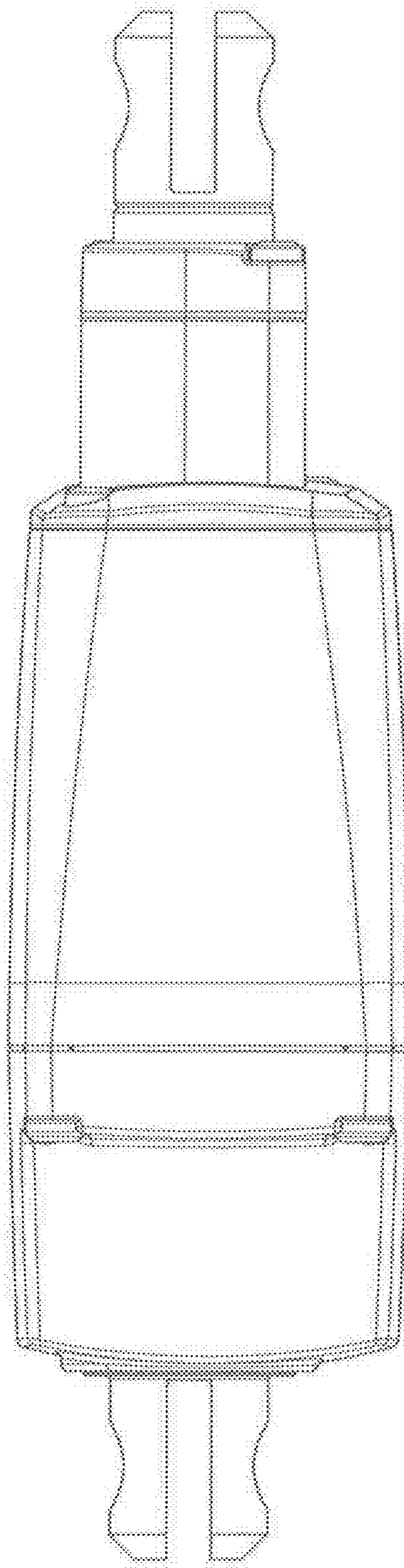


Fig. 5

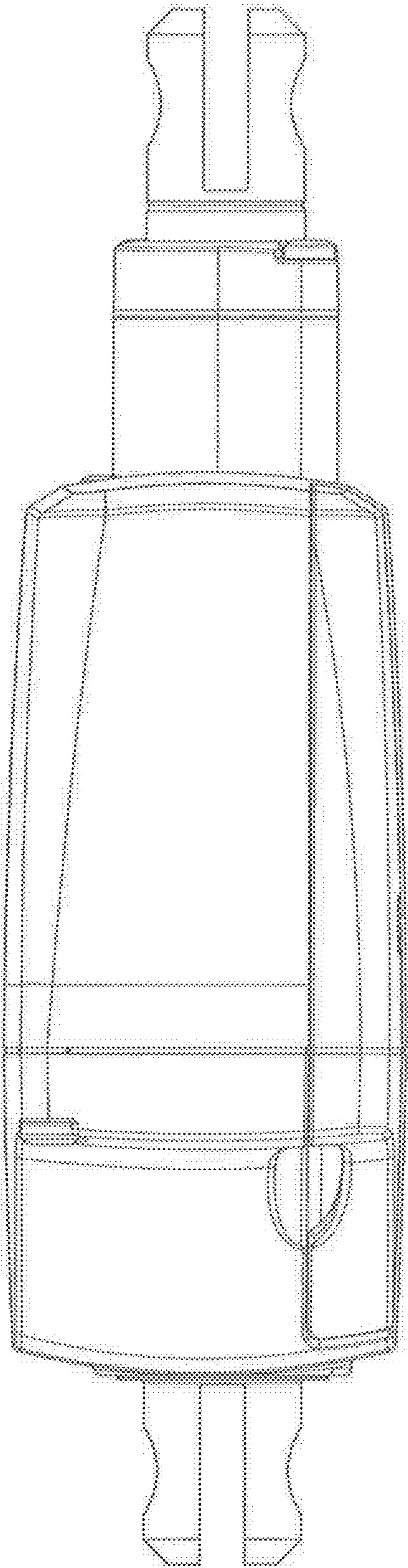


Fig. 6

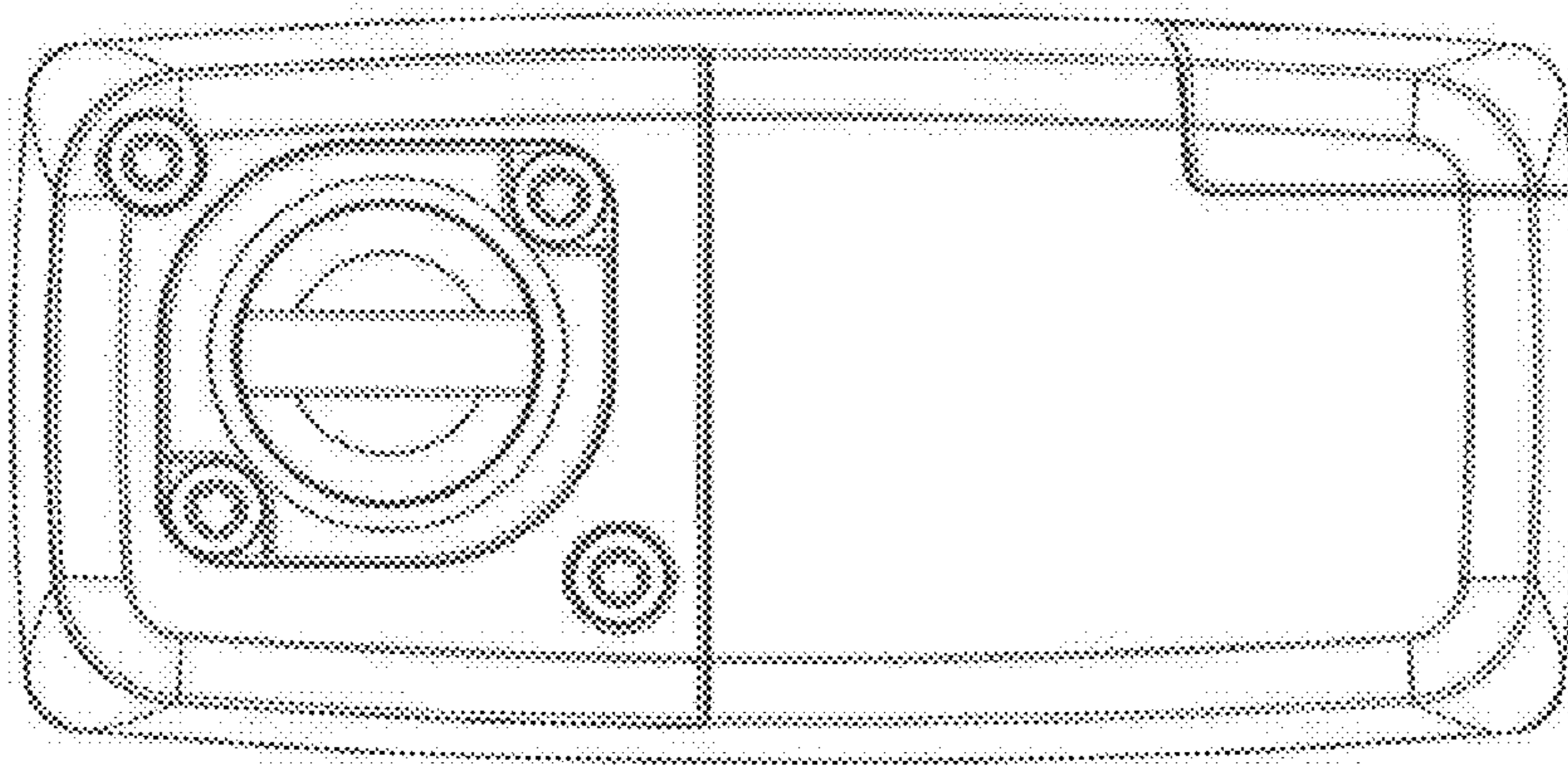


Fig. 7

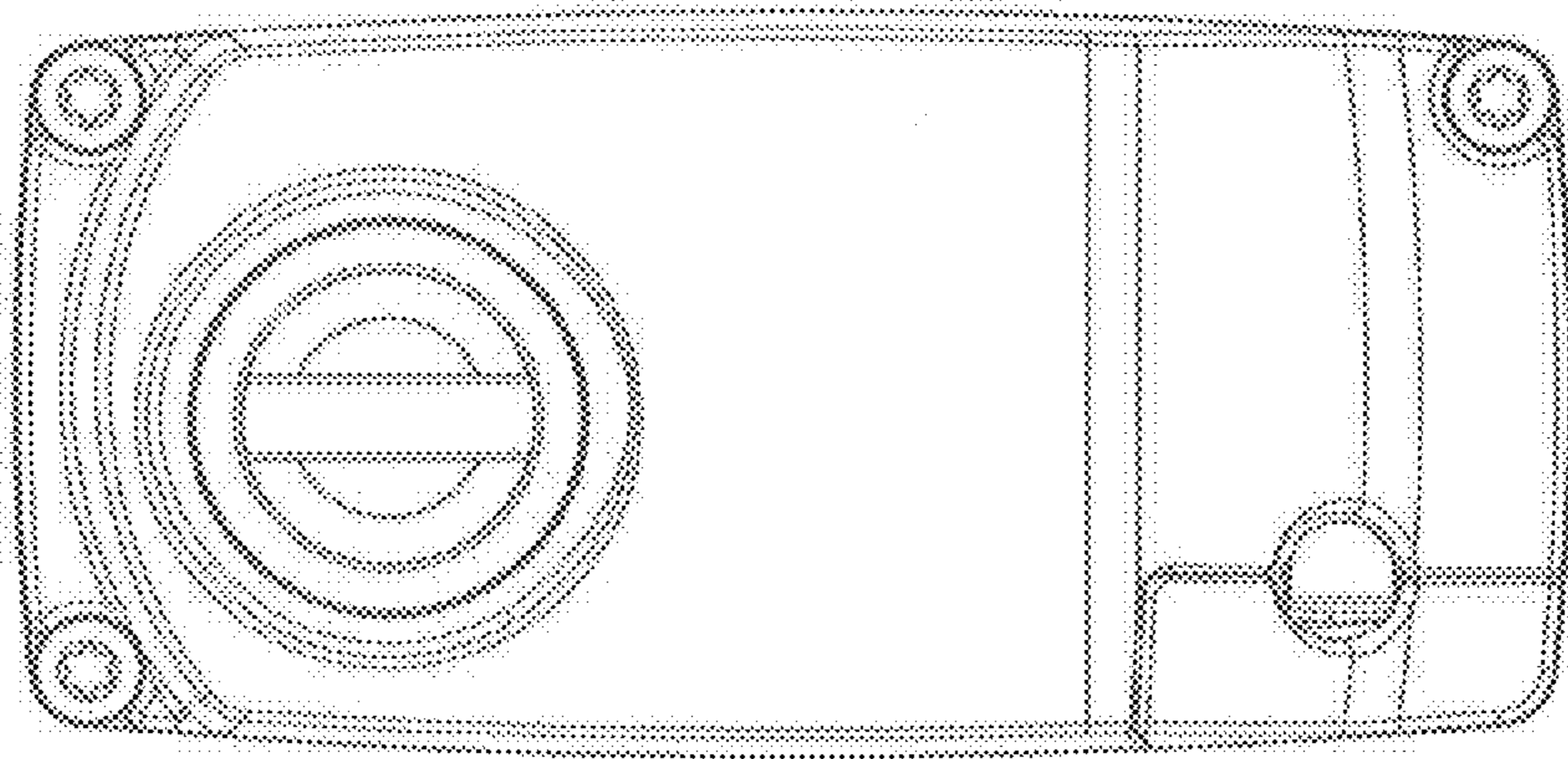


Fig. 8