



US00D719594S

(12) **United States Design Patent**
Leugers

(10) **Patent No.:** **US D719,594 S**

(45) **Date of Patent:** **** Dec. 16, 2014**

(54) **DRILL BIT ASSEMBLY**

(71) Applicant: **McGinley Engineered Solutions, LLC**,
Casper, WY (US)

(72) Inventor: **Martin Leugers**, San Francisco, CA
(US)

(73) Assignee: **McGinley Engineered Solutions, LLC**,
Casper, WY (US)

(**) Term: **14 Years**

(21) Appl. No.: **29/472,824**

(22) Filed: **Nov. 15, 2013**

(51) **LOC (10) Cl.** **15-09**

(52) **U.S. Cl.**
USPC **D15/139**

(58) **Field of Classification Search**
USPC D8/70, 71; D15/131, 132, 138, 139,
D15/140; 76/102, 115; 83/845; 403/331,
403/381; 407/9, 33, 34, 42, 54, 63, 110,
407/113-115; 408/214, 215, 222, 223,
408/226-230; 433/72, 165; 470/198;
606/80

See application file for complete search history.

(56) **References Cited**

U.S. PATENT DOCUMENTS

2,344,143 A * 3/1944 Harding 408/192
4,123,193 A * 10/1978 Hill 408/202

4,710,075 A * 12/1987 Davison 408/202
4,850,758 A * 7/1989 Morgan 408/226
7,258,513 B2 * 8/2007 Gertner 408/67
D573,165 S * 7/2008 Grundvig D15/139
D599,906 S * 9/2009 Petersen D24/146
7,771,143 B2 * 8/2010 Bharadwaj et al. 408/1 R
2002/0041798 A1 * 4/2002 Karlsson 408/118
2003/0026669 A1 * 2/2003 Lang et al. 408/226
2004/0052595 A1 * 3/2004 Dembicks et al. 408/226
2005/0098358 A1 * 5/2005 Nadler 175/394
2012/0003057 A1 * 1/2012 Leyba 408/226

* cited by examiner

Primary Examiner — Patricia Palasik

(74) *Attorney, Agent, or Firm* — Marsh Fischmann &
Breyfogle LLP

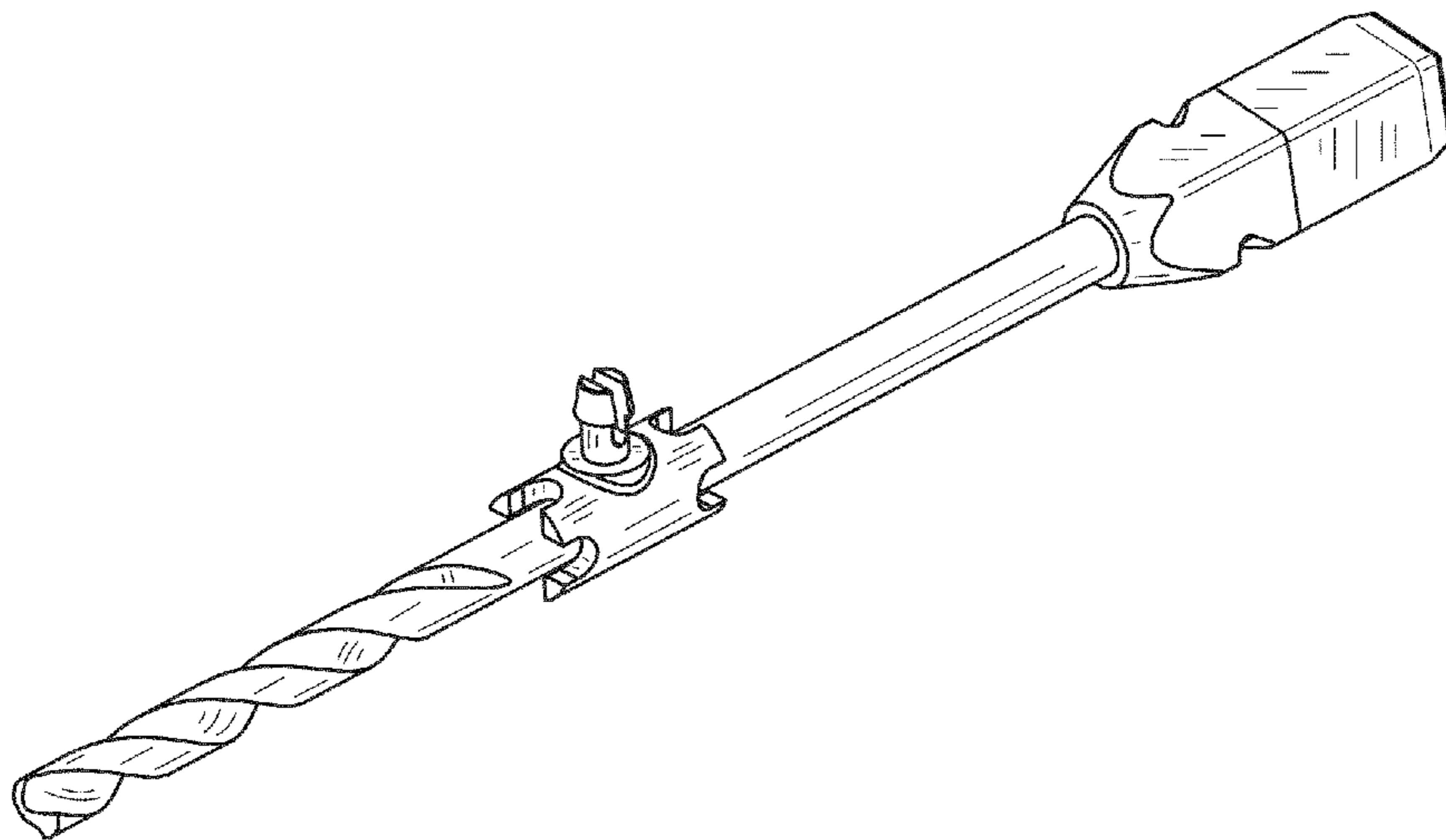
(57) **CLAIM**

The ornamental design for a drill bit assembly, as shown and
described.

DESCRIPTION

FIG. 1 is a front perspective view of a drill bit assembly;
FIG. 2 is a front view of the drill bit assembly of FIG. 1, which
has been enlarged for clarity;
FIG. 3 is a rear view of the drill bit assembly of FIG. 1, which
has been enlarged for clarity;
FIG. 4 is a left side view of the drill bit assembly of FIG. 1;
FIG. 5 is a right side view of the drill bit assembly of FIG. 1;
FIG. 6 is a top view of the drill bit assembly of FIG. 1; and,
FIG. 7 is a bottom view of the drill bit assembly of FIG. 1.

1 Claim, 4 Drawing Sheets



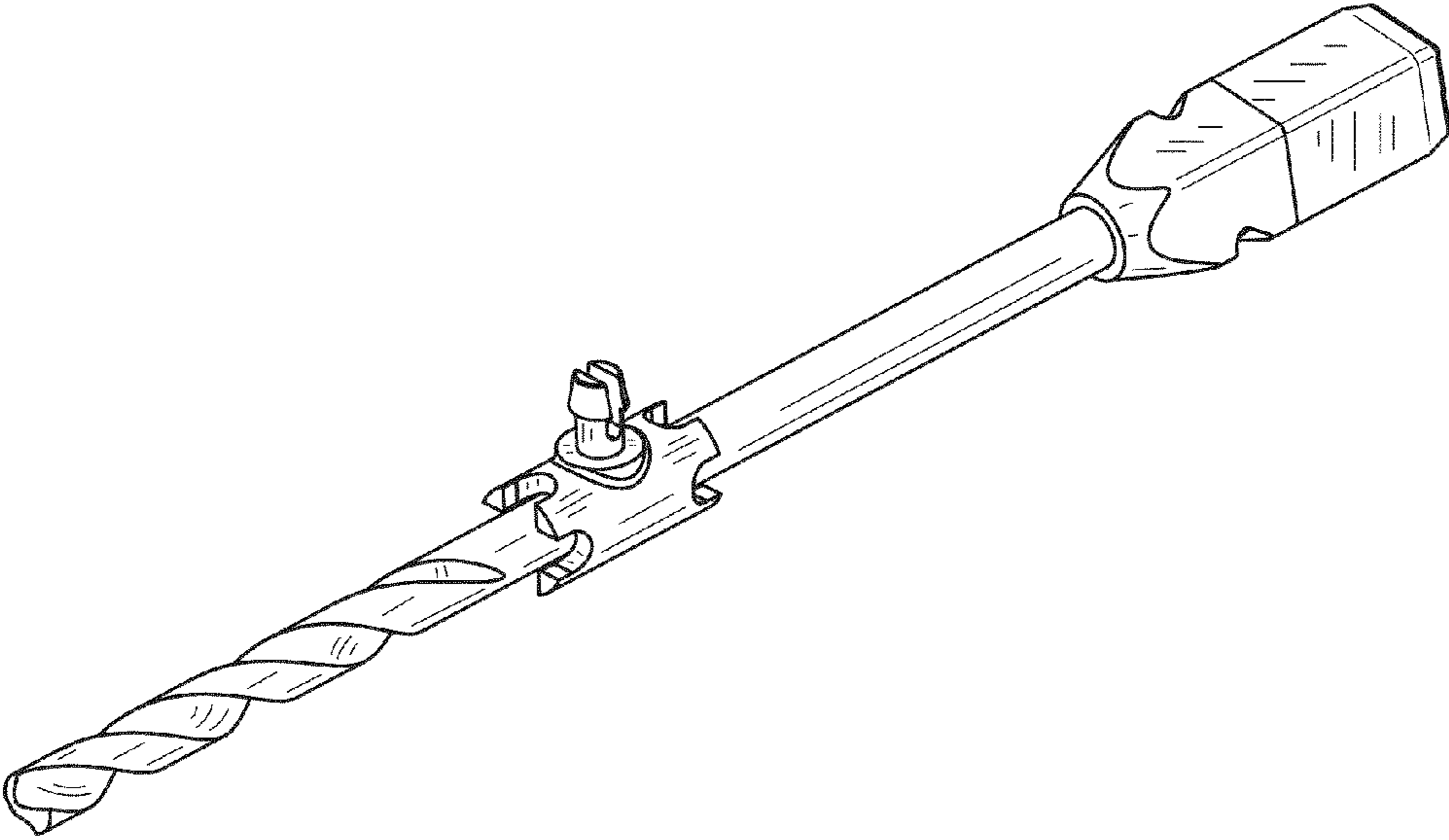


FIG. 1

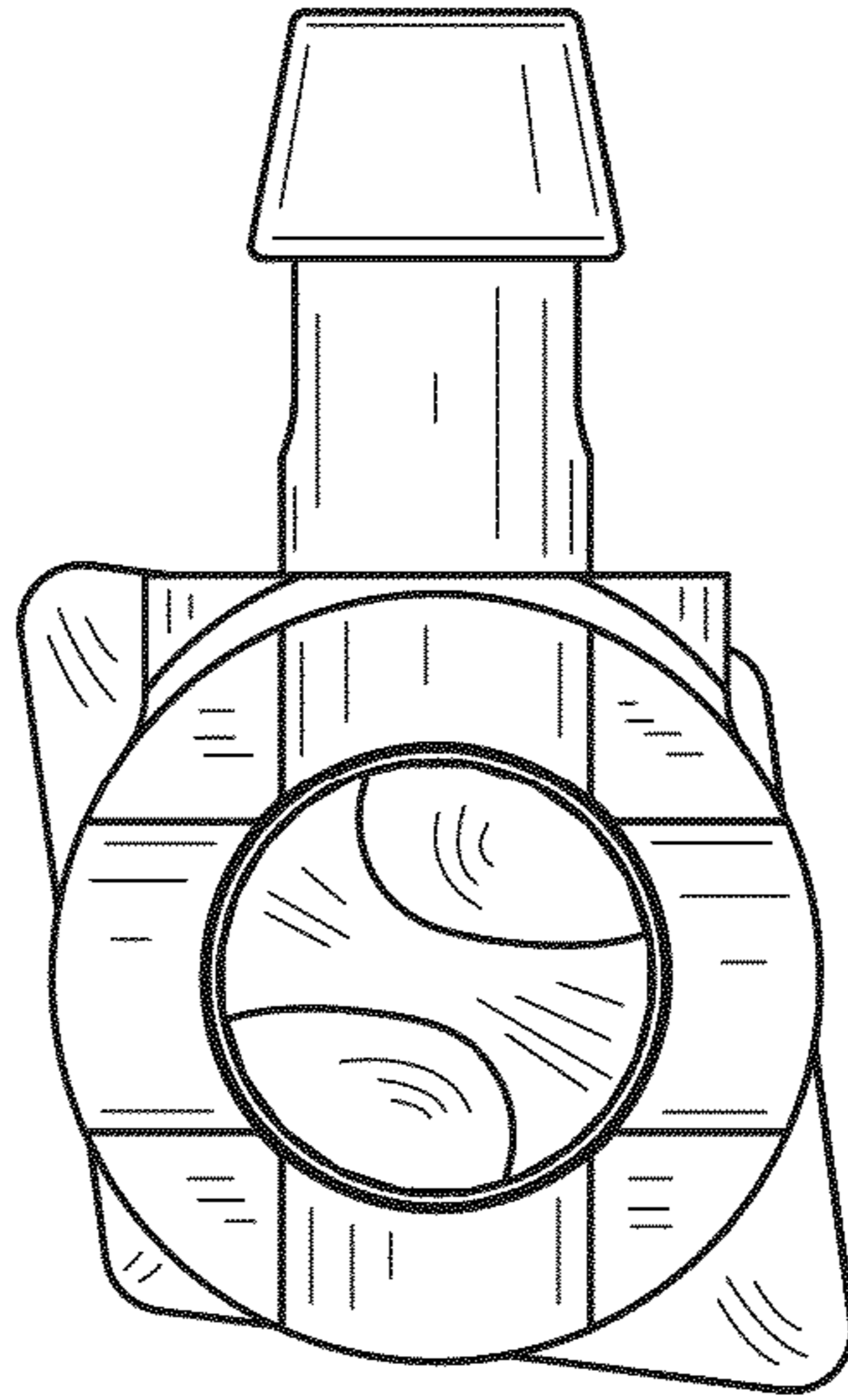


FIG.2

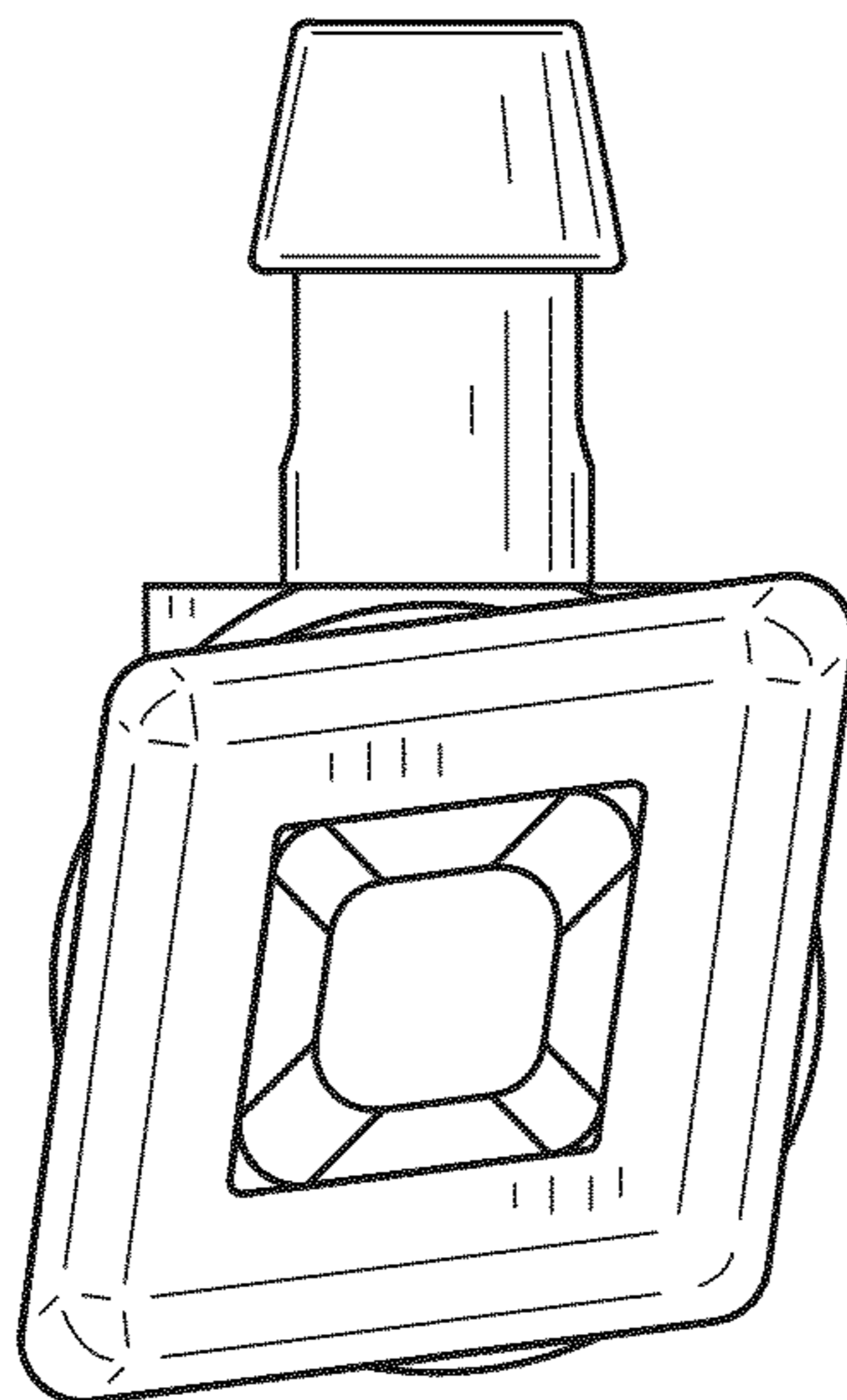


FIG.3

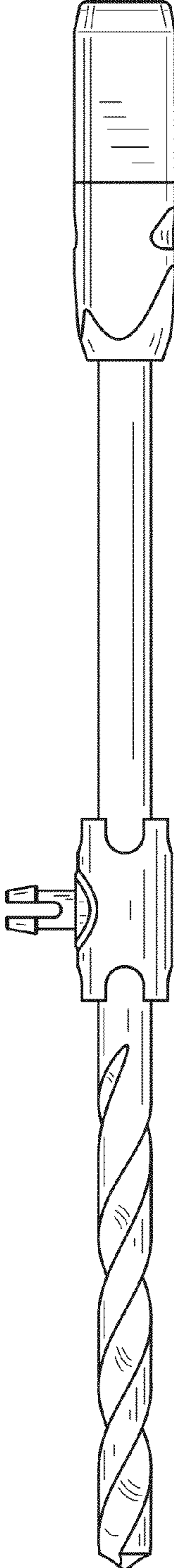


FIG. 4

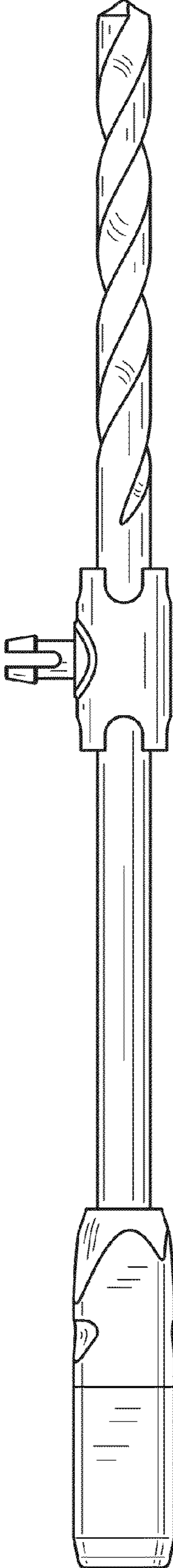


FIG. 5

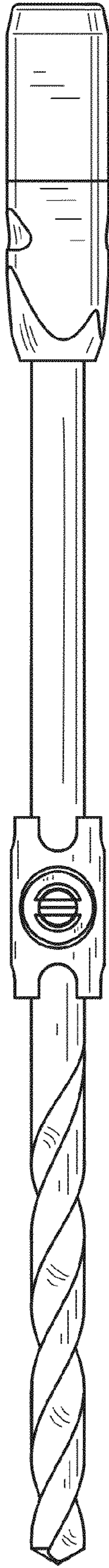


FIG. 6

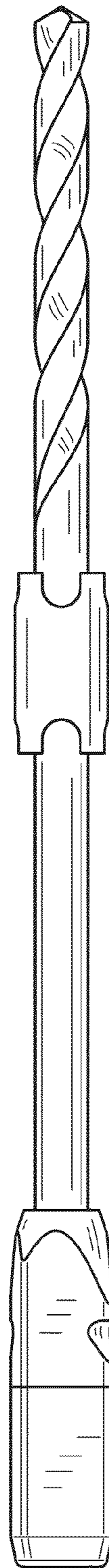


FIG. 7