



US00D719593S

(12) **United States Design Patent**  
**Inkster**

(10) **Patent No.:** **US D719,593 S**

(45) **Date of Patent:** **\*\* Dec. 16, 2014**

(54) **MINI TURBO PLANE BLADE WITH THREE TEETH**

D678,370 S \* 3/2013 Inkster ..... D15/139  
2012/0024125 A1 \* 2/2012 Walker et al. .... 83/402  
2013/0118642 A1 \* 5/2013 Inkster ..... 144/230

\* cited by examiner

(71) Applicant: **Kevin Ross Inkster**, Perth (AU)

*Primary Examiner* — Patricia Palasik

(72) Inventor: **Kevin Ross Inkster**, Perth (AU)

(57) **CLAIM**

(\*\*) Term: **14 Years**

The ornamental design for a mini turbo plane blade with three teeth, as shown and described.

(21) Appl. No.: **29/453,711**

**DESCRIPTION**

(22) Filed: **May 2, 2013**

FIG. 1 is a front view of a mini turbo plane blade with three teeth showing my new design;

(30) **Foreign Application Priority Data**

Apr. 30, 2013 (AU) ..... 201312015

FIG. 2 is an end view of a mini turbo plane blade with three teeth;

(51) **LOC (10) Cl.** ..... **15-09**

FIG. 3 is a cross sectional end view of a mini turbo plane blade with three teeth;

(52) **U.S. Cl.**

USPC ..... **D15/139**; D15/126

FIG. 4 is a back view of a mini turbo plane blade with three teeth;

(58) **Field of Classification Search**

USPC ..... D7/412; D8/16, 70, 71; D15/124, 126,

D15/138, 139; 83/589, 663, 676; 144/230;

407/42, 112–119; 451/548–551

See application file for complete search history.

FIG. 5 is an isometric front view of a mini turbo plane blade with three teeth;

FIG. 6 is an isometric front/end view of a mini turbo plane blade with three teeth; and

FIG. 7 is an isometric back/end view of a mini turbo plane blade with three teeth; and,

FIG. 8 is an isometric back view of a mini turbo plane blade with three teeth.

(56) **References Cited**

**U.S. PATENT DOCUMENTS**

4,522,538 A \* 6/1985 Lindsay ..... 407/35

D450,730 S \* 11/2001 Krycki ..... D15/138

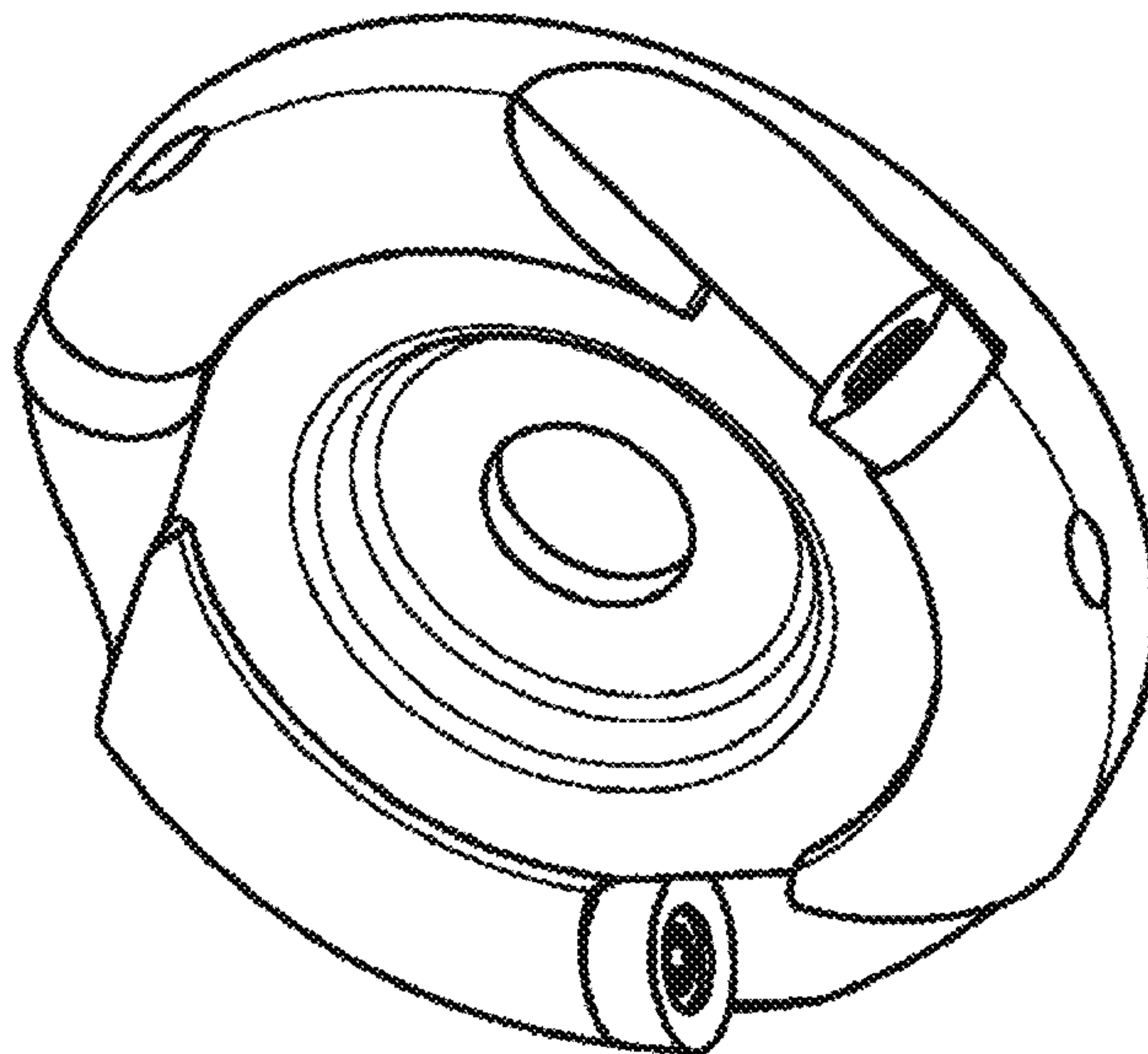
D538,314 S \* 3/2007 Huang ..... D15/139

D672,795 S \* 12/2012 Inkster ..... D15/139

The mini turbo plane blade with three teeth embodying the design is for the freehand shaping of wood.

The mini turbo plane blade with three teeth is a rotary planing blade that when attached to an angle grinder with an adaptor is used to shape wood freehand.

**1 Claim, 3 Drawing Sheets**



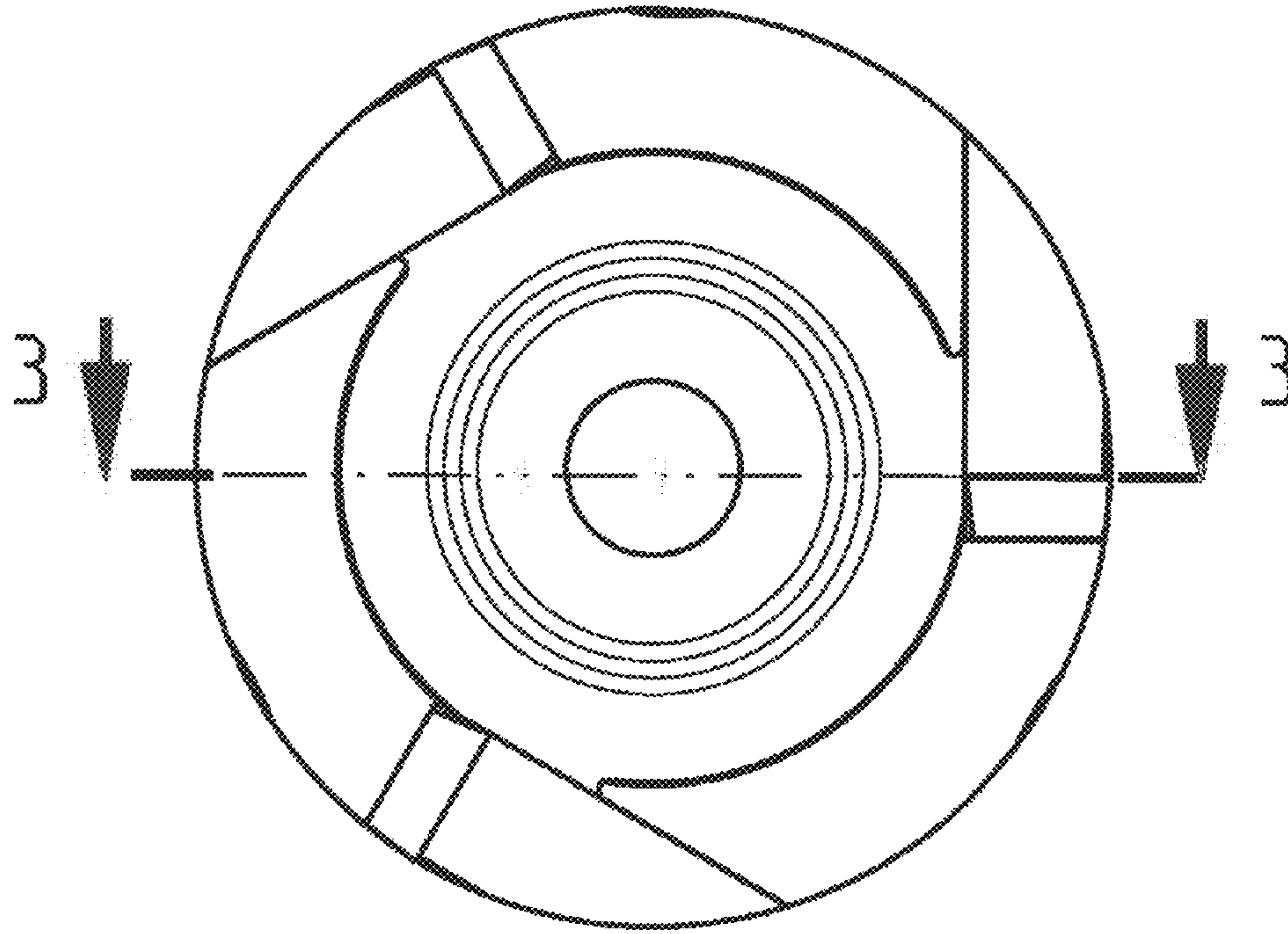


Fig.1

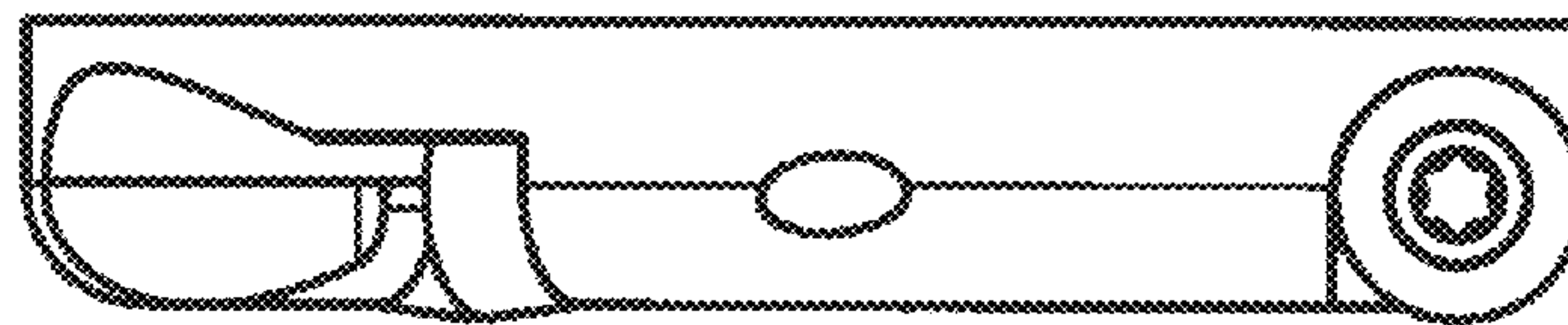


Fig.2

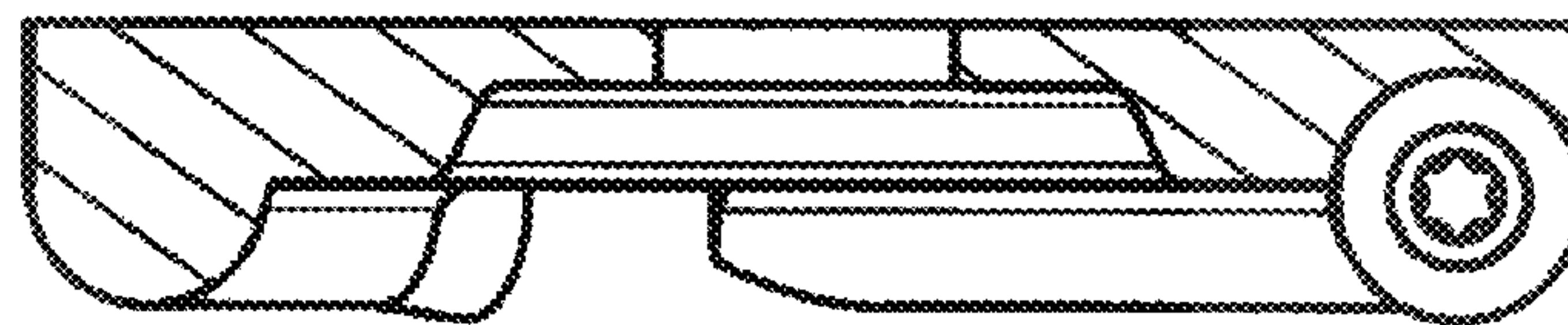


Fig.3

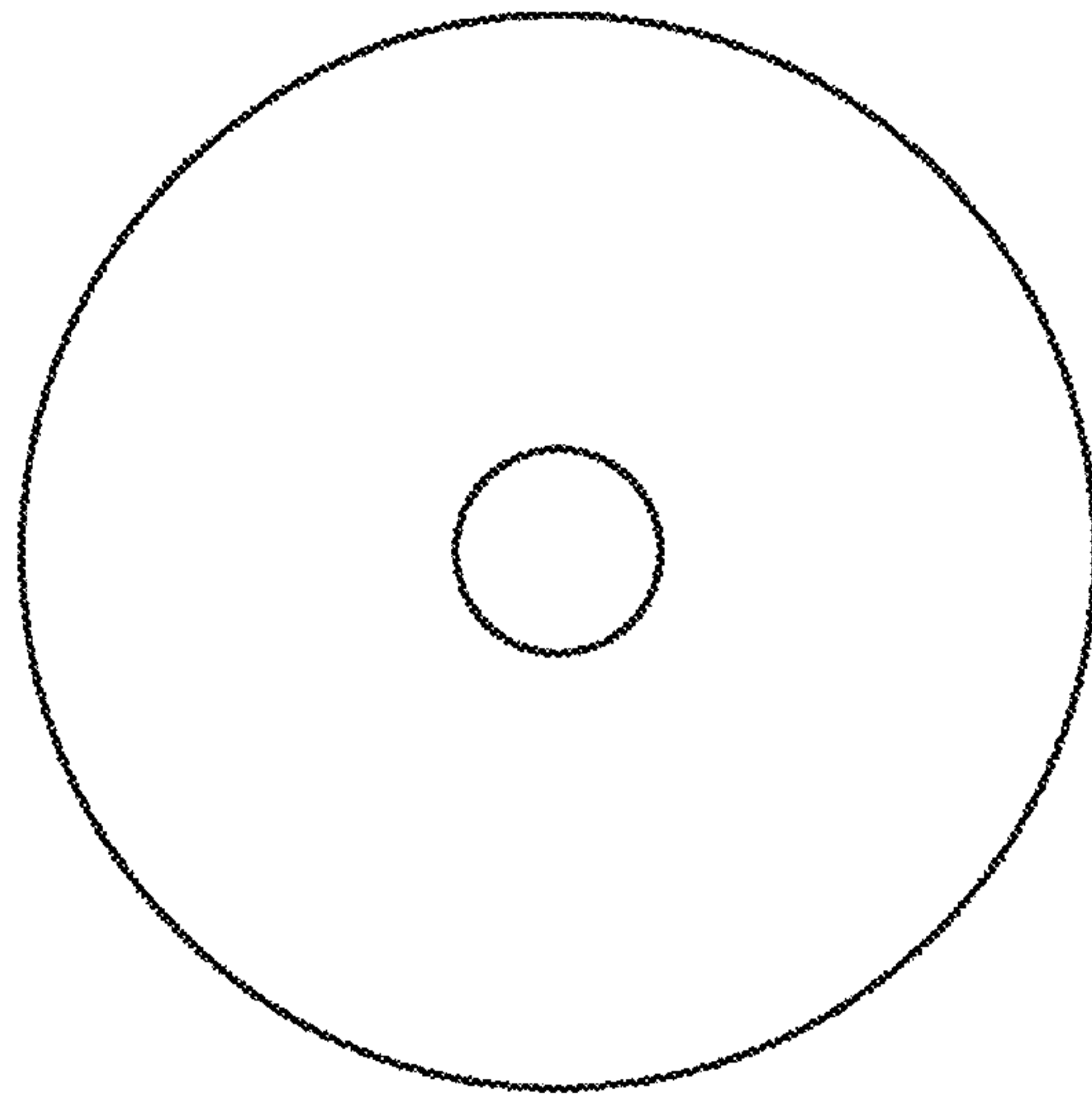


Fig. 4

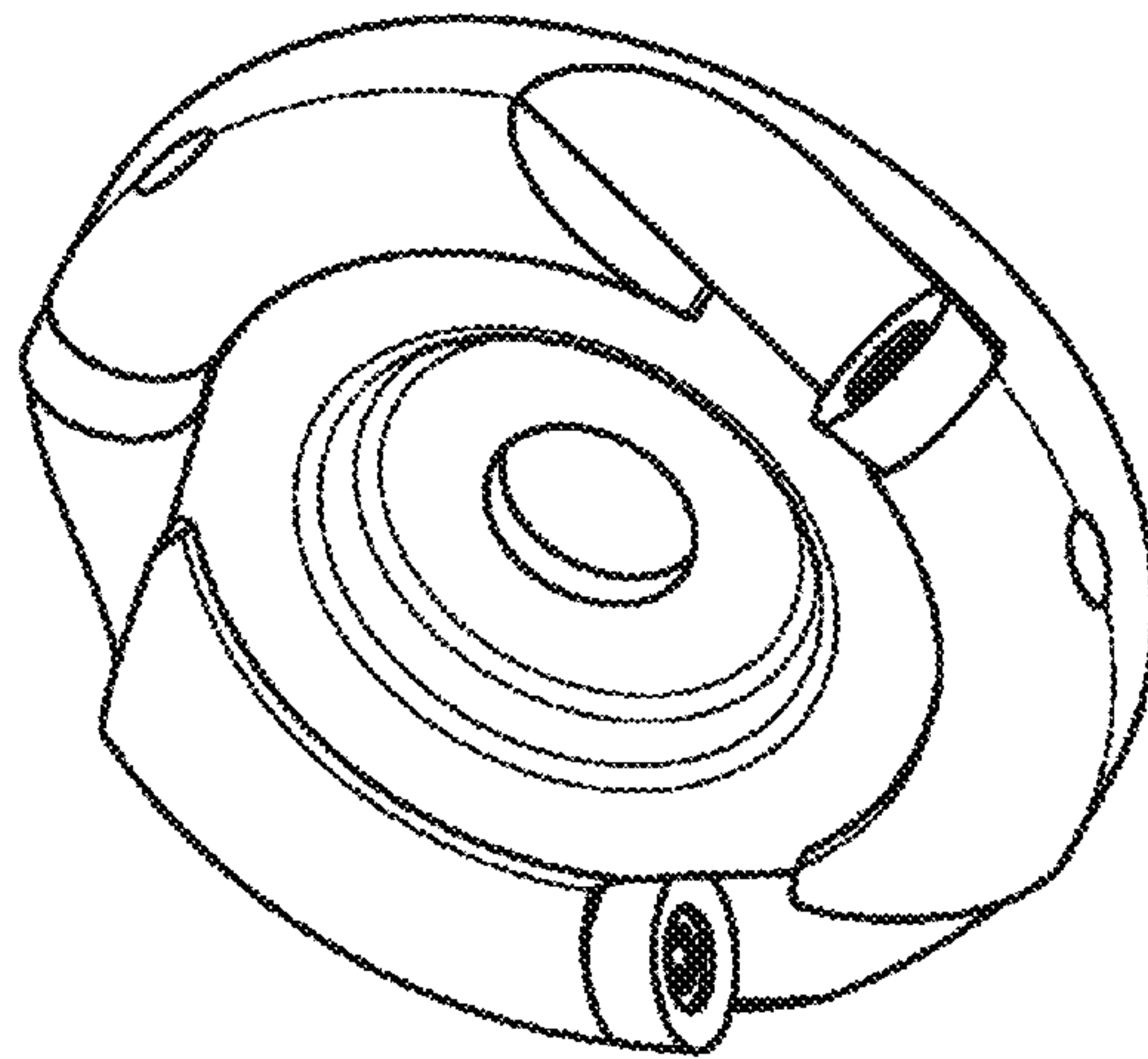


Fig. 5

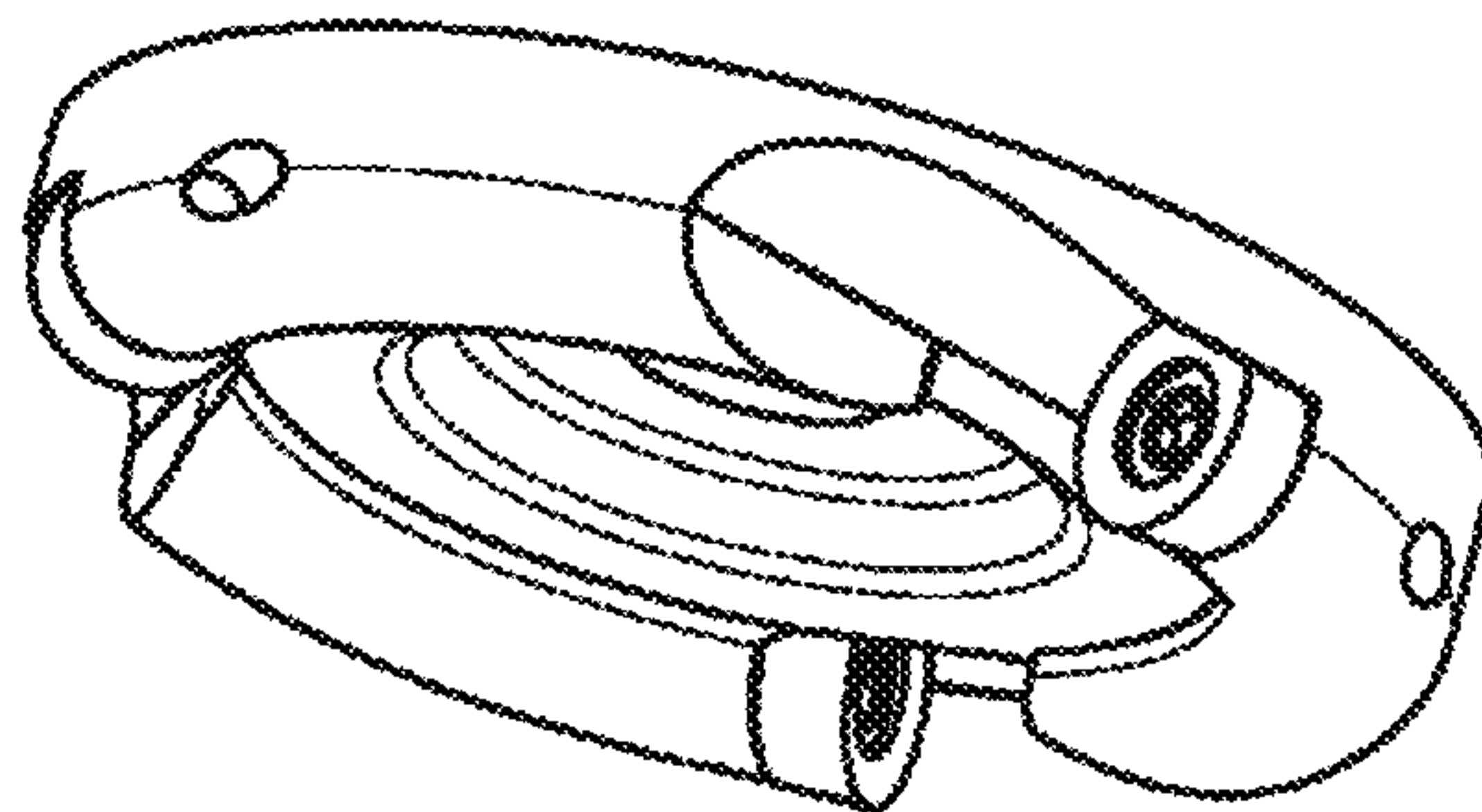


Fig. 6

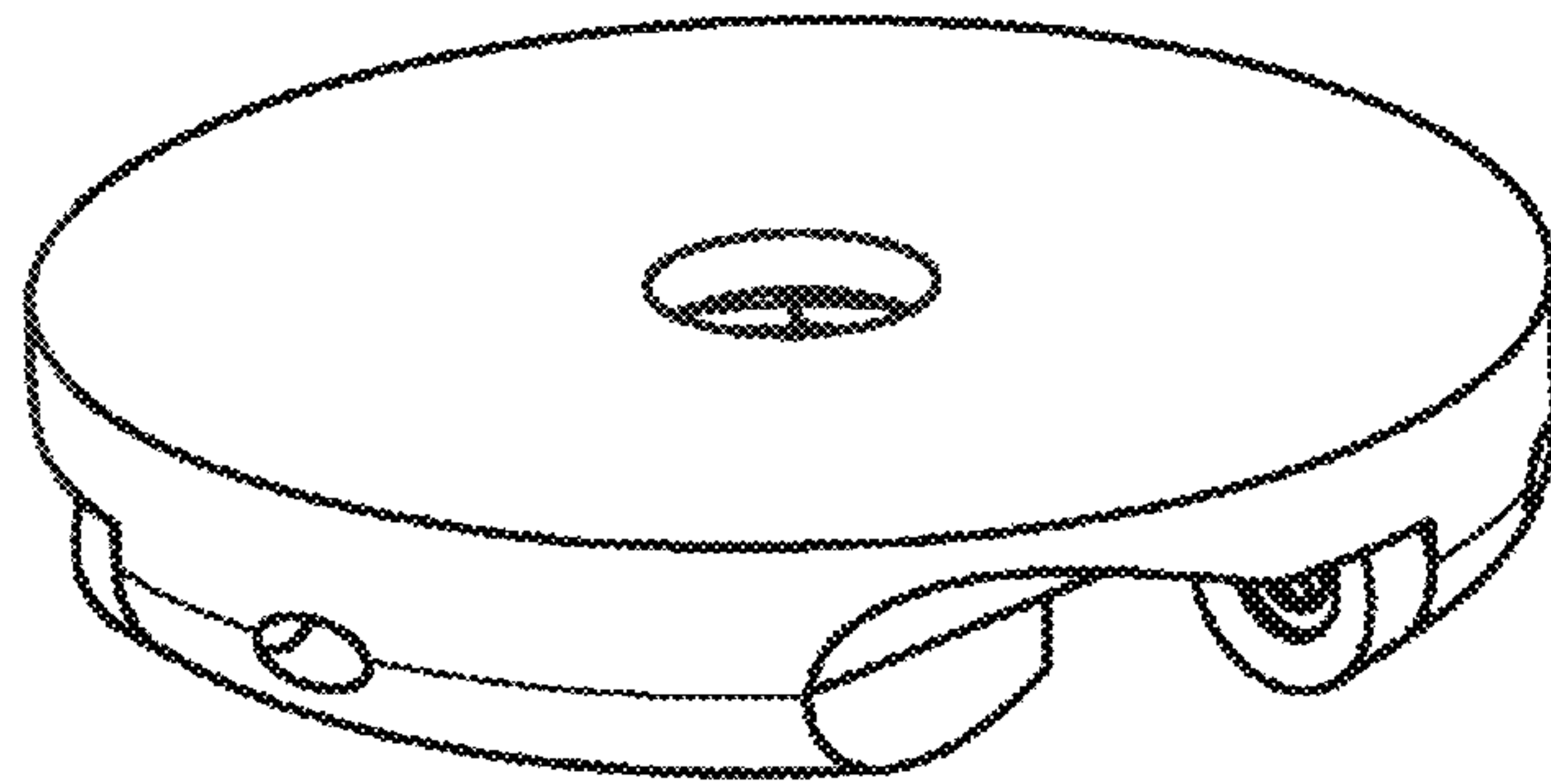


Fig.7

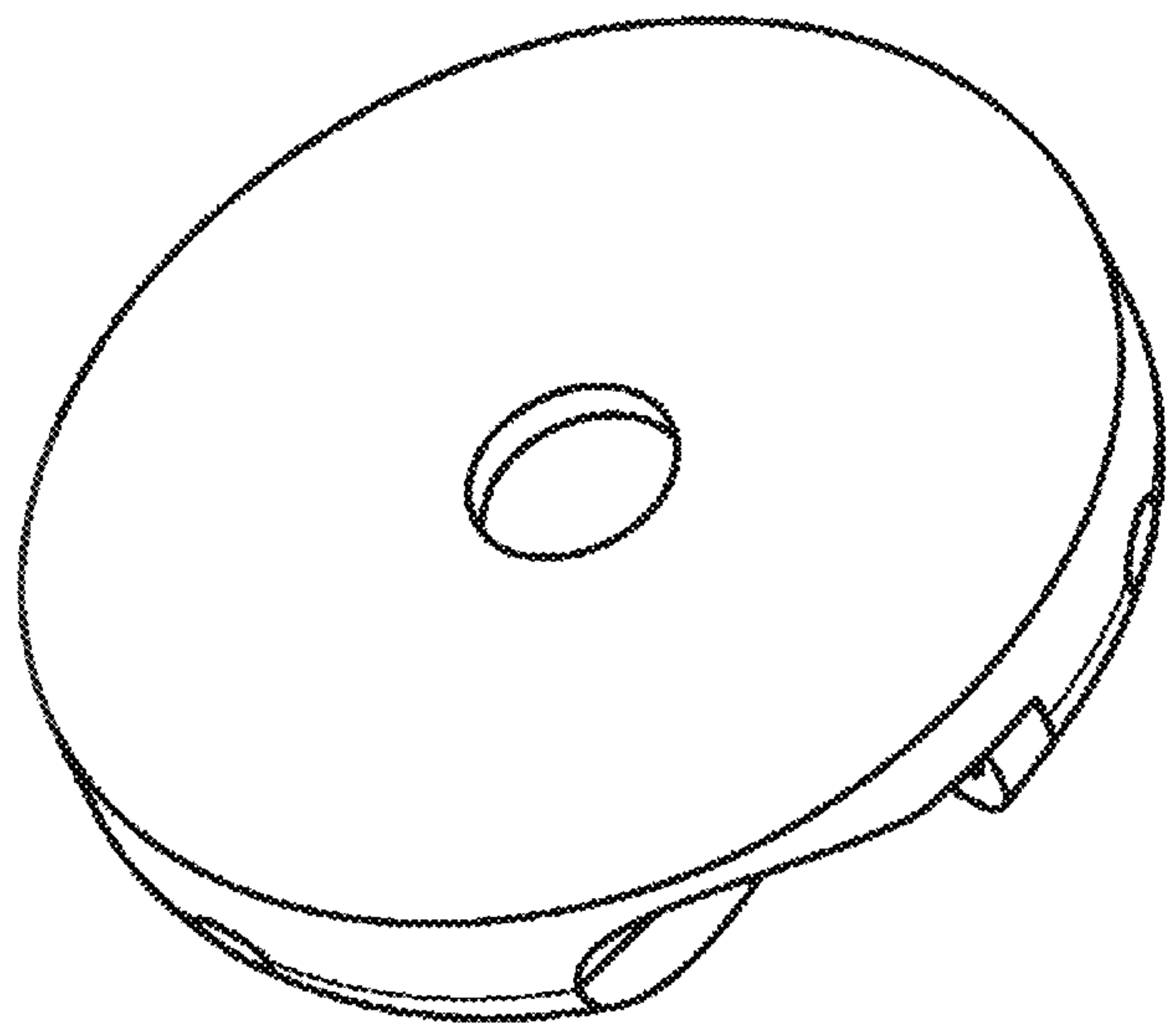


Fig.8