



US00D719576S

(12) **United States Design Patent**
Chen et al.

(10) **Patent No.:** **US D719,576 S**

(45) **Date of Patent:** **** Dec. 16, 2014**

(54) **TABLET JACKET**

(71) Applicant: **Hewlett-Packard Development Company, L.P.**, Houston, TX (US)

(72) Inventors: **Eric Chen**, Houston, TX (US); **Ki Bok Song**, Katy, TX (US)

(73) Assignee: **Hewlett-Packard Development Company, L.P.**, Houston, TX (US)

(**) Term: **14 Years**

(21) Appl. No.: **29/433,425**

(22) Filed: **Sep. 28, 2012**

(51) **LOC (10) Cl.** **08-03**

(52) **U.S. Cl.**
USPC **D14/447**

(58) **Field of Classification Search**
USPC D14/447, 432, 434, 439, 440, 451, 452,
D14/457, 460, 461, 238.1, 250, 251, 253;
D3/218; D6/406.3, 406.4, 406.5,
D6/406.6; 248/444, 441.1, 188.6,
248/917-924; 361/679.02, 679.03, 679.04,
361/679.09, 679.21, 679.26, 679.27, 679.3,
361/679.55, 679.56

See application file for complete search history.

(56) **References Cited**

U.S. PATENT DOCUMENTS

D602,938 S * 10/2009 Ward et al. D14/434
D672,353 S * 12/2012 Liu D14/440
D682,839 S * 5/2013 Sampson et al. D14/447

D685,796 S * 7/2013 Paschke et al. D14/434
D686,627 S * 7/2013 Akana et al. D14/440
D689,501 S * 9/2013 Fong D14/447
D690,305 S * 9/2013 Wen D14/440
D691,144 S * 10/2013 Peters et al. D14/440
D692,432 S * 10/2013 Liu et al. D14/440
D692,433 S * 10/2013 Akana et al. D14/440
D695,746 S * 12/2013 Magness et al. D14/440
D706,272 S * 6/2014 Poon D14/440
2012/0068832 A1 * 3/2012 Feldstein et al. 340/12.5

* cited by examiner

Primary Examiner — Angela J Lee

(74) *Attorney, Agent, or Firm* — Rathe Lindenbaum LLP;
Todd Rathe

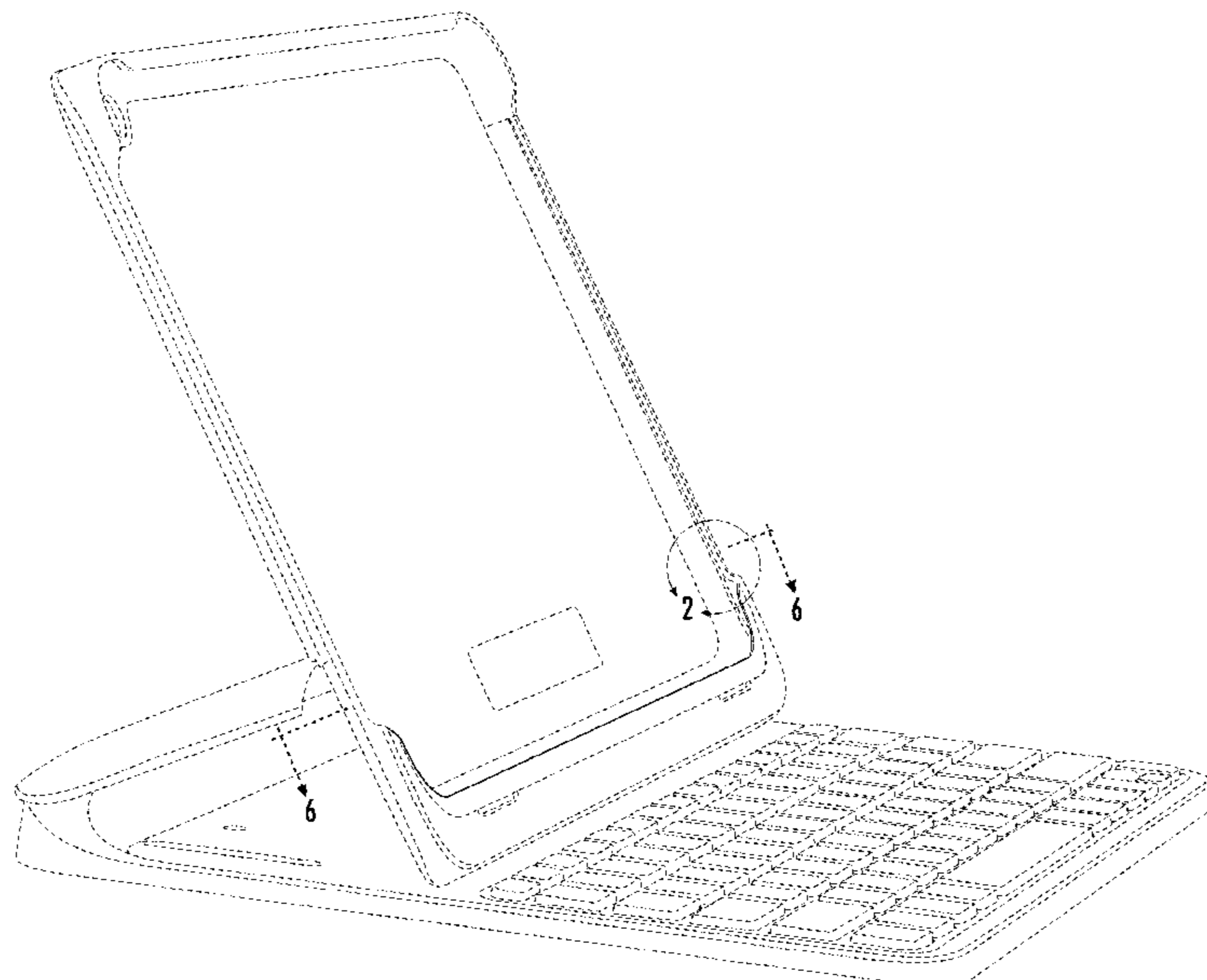
(57) **CLAIM**

We claim the ornamental design for a tablet jacket, as shown and described.

DESCRIPTION

FIG. 1 is a front perspective view of a tablet jacket;
FIG. 2 is an enlarged front perspective view thereof taken along lines 2-2 of FIG. 1;
FIG. 3 is an enlarged top view thereof taken along lines 3 of FIG. 6;
FIG. 4 is a front view thereof;
FIG. 5 is a top view thereof; and,
FIG. 6 is a sectional view thereof taken along line 6-6 of FIG. 1.
The dash-dash broken lines in the drawings are environmental lines which do not form part of the claimed design.

1 Claim, 5 Drawing Sheets



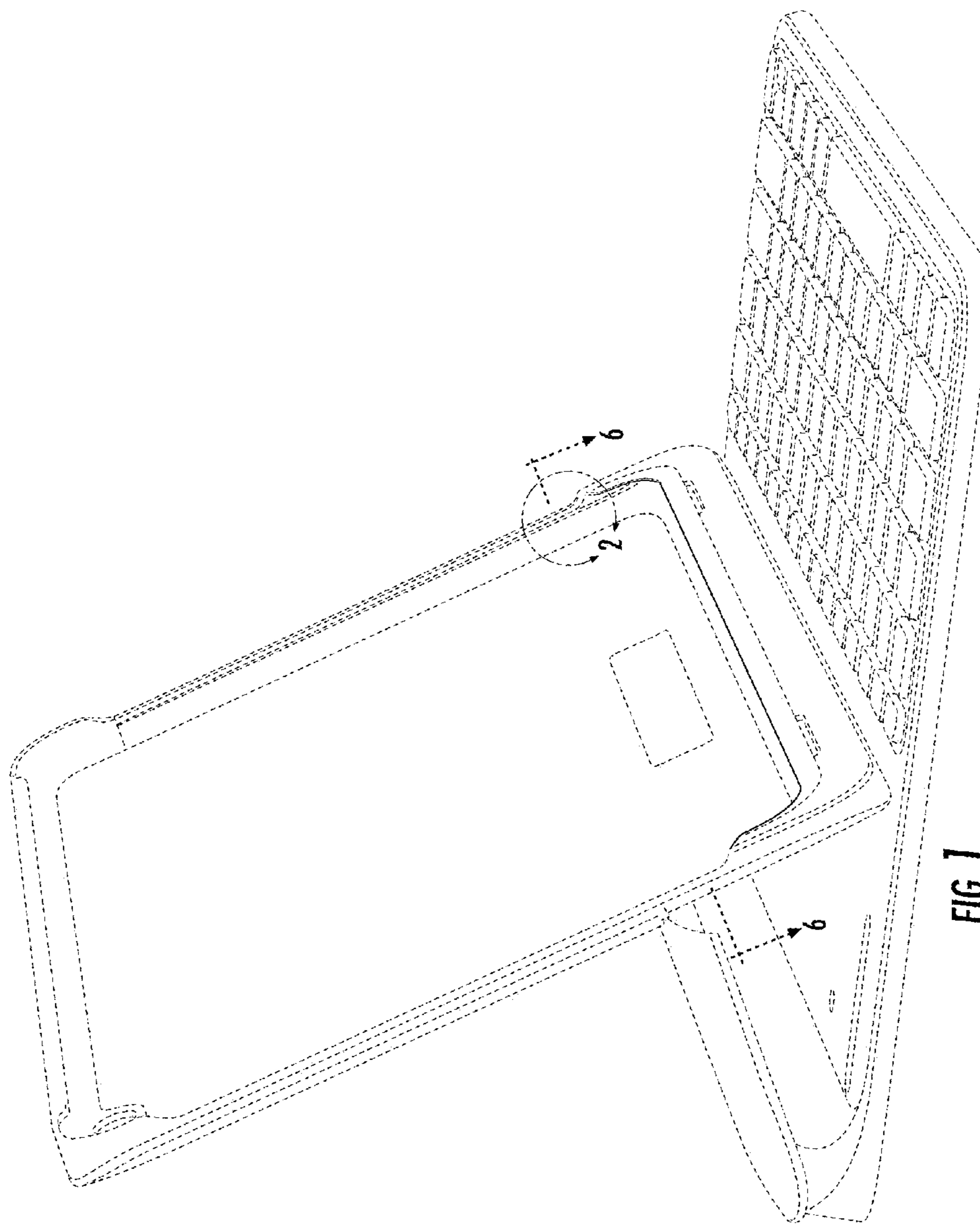


FIG. 7

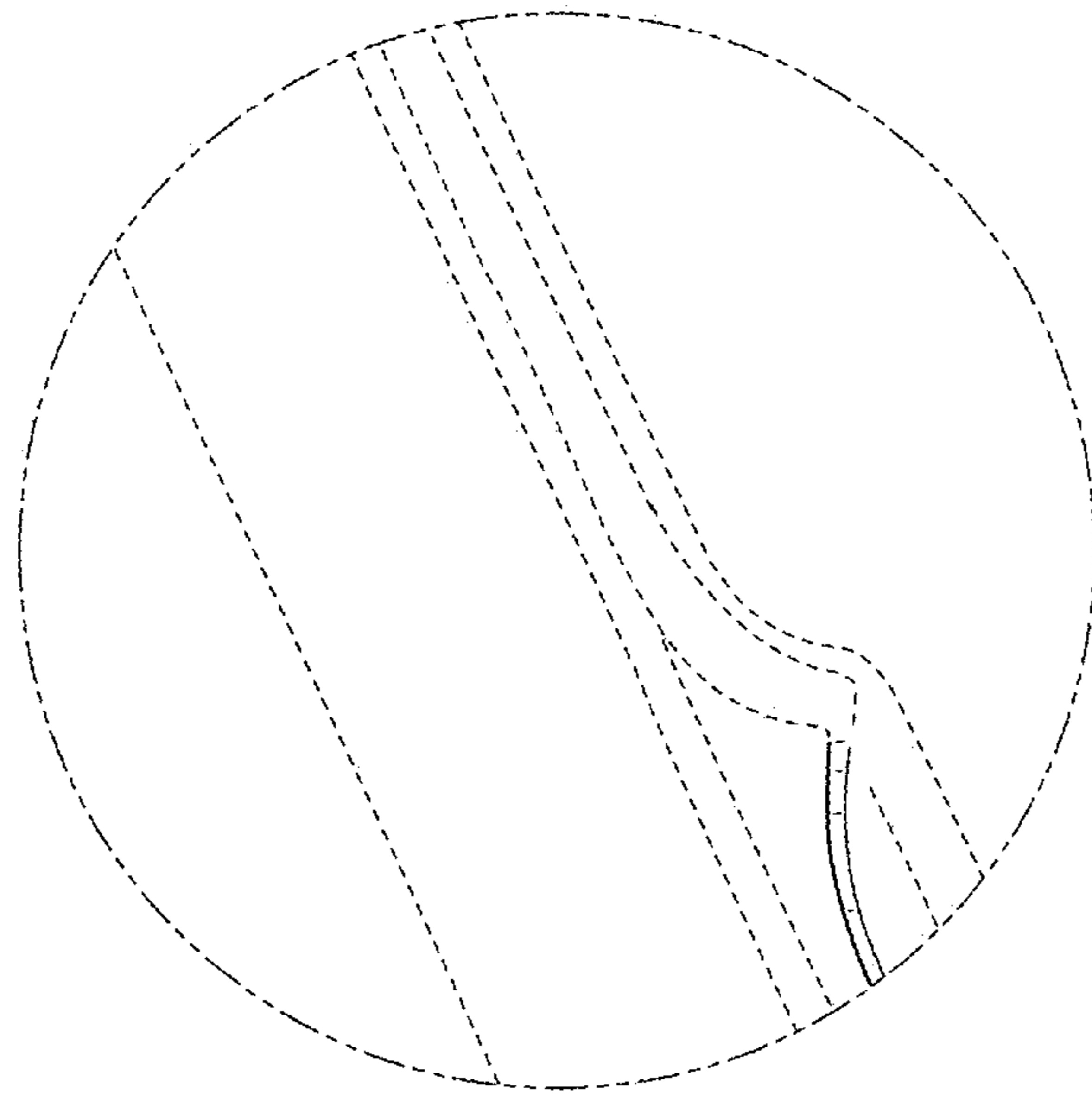


FIG. 2

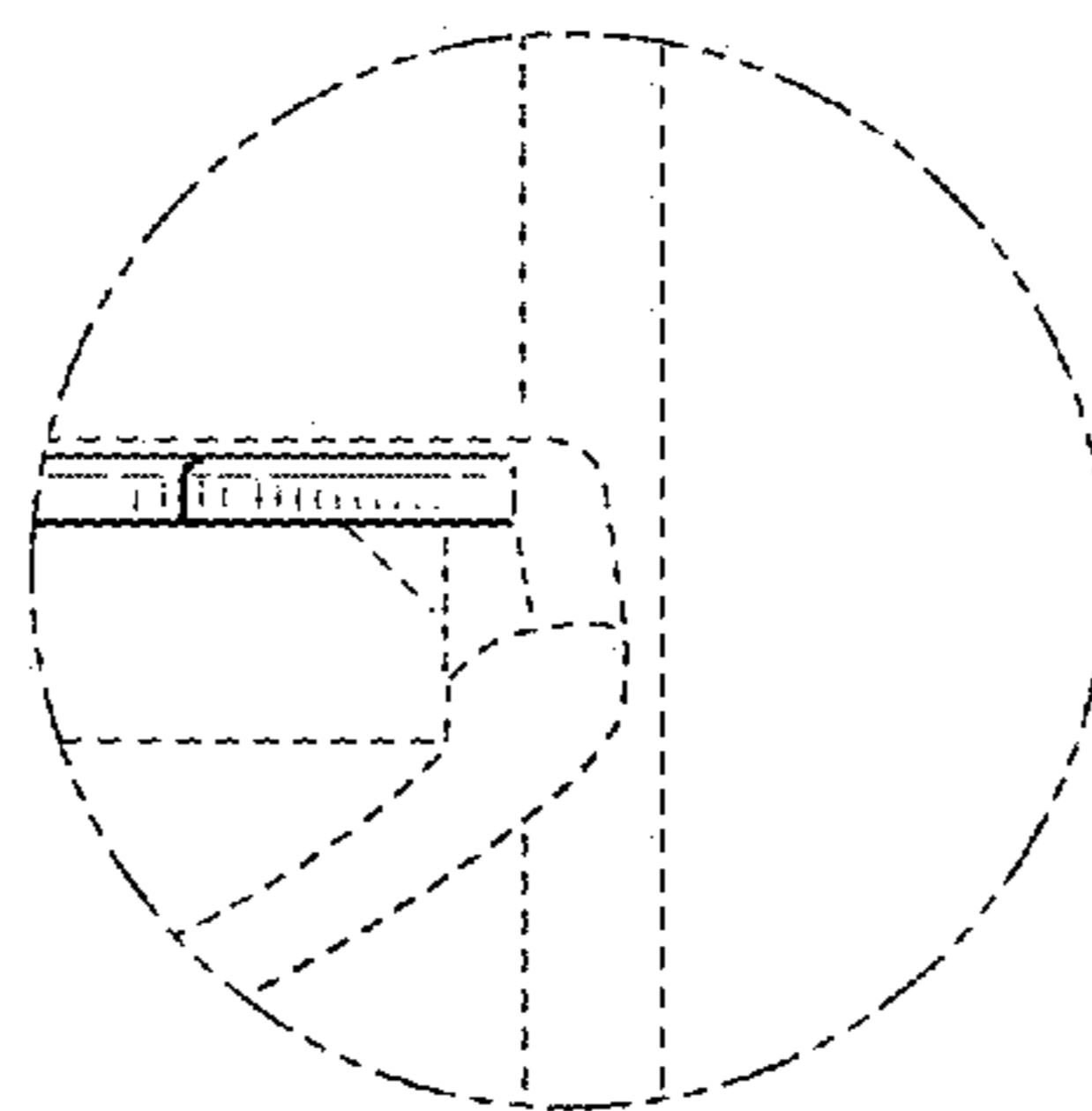


FIG. 3

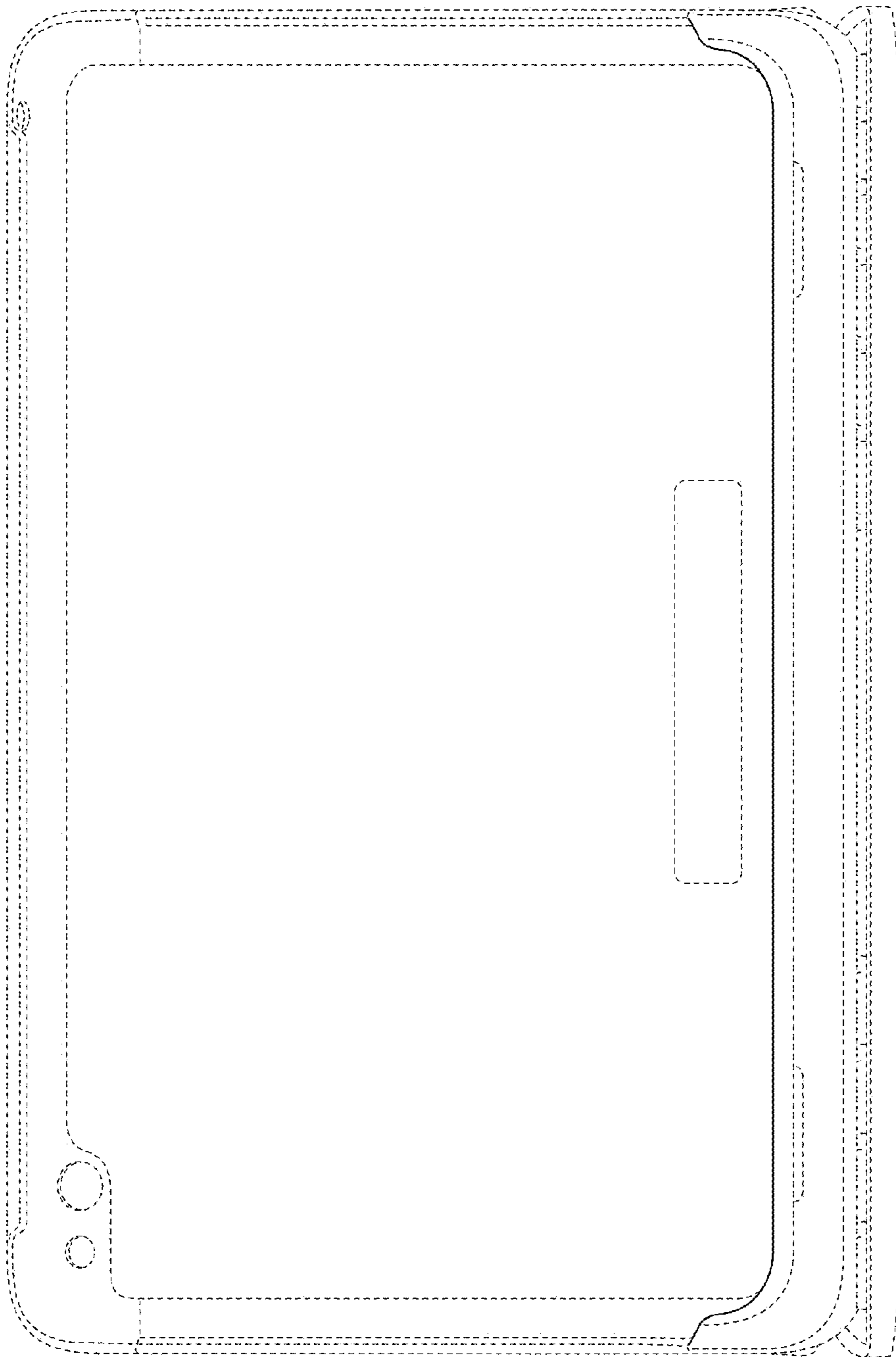


FIG. 4

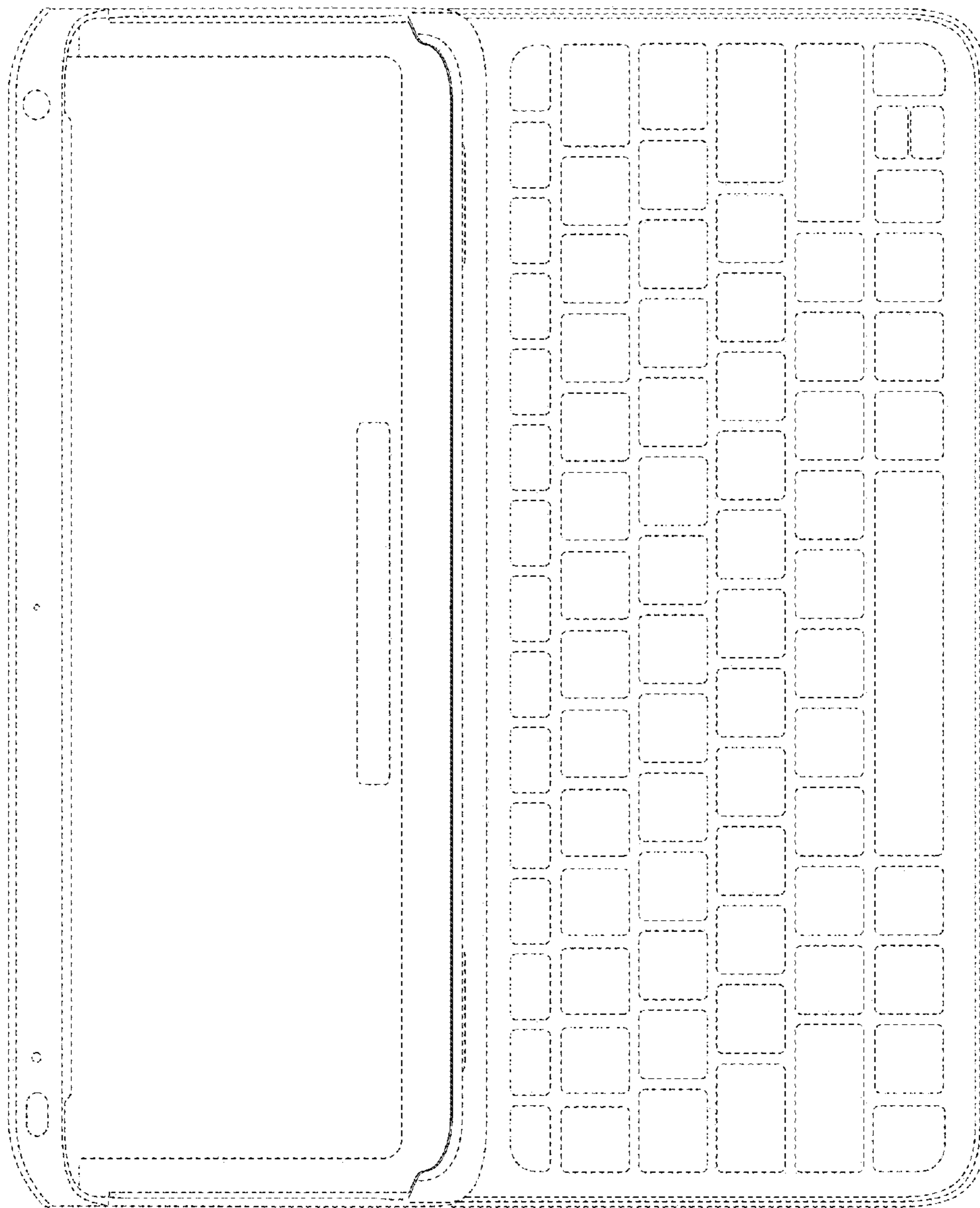


FIG. 5

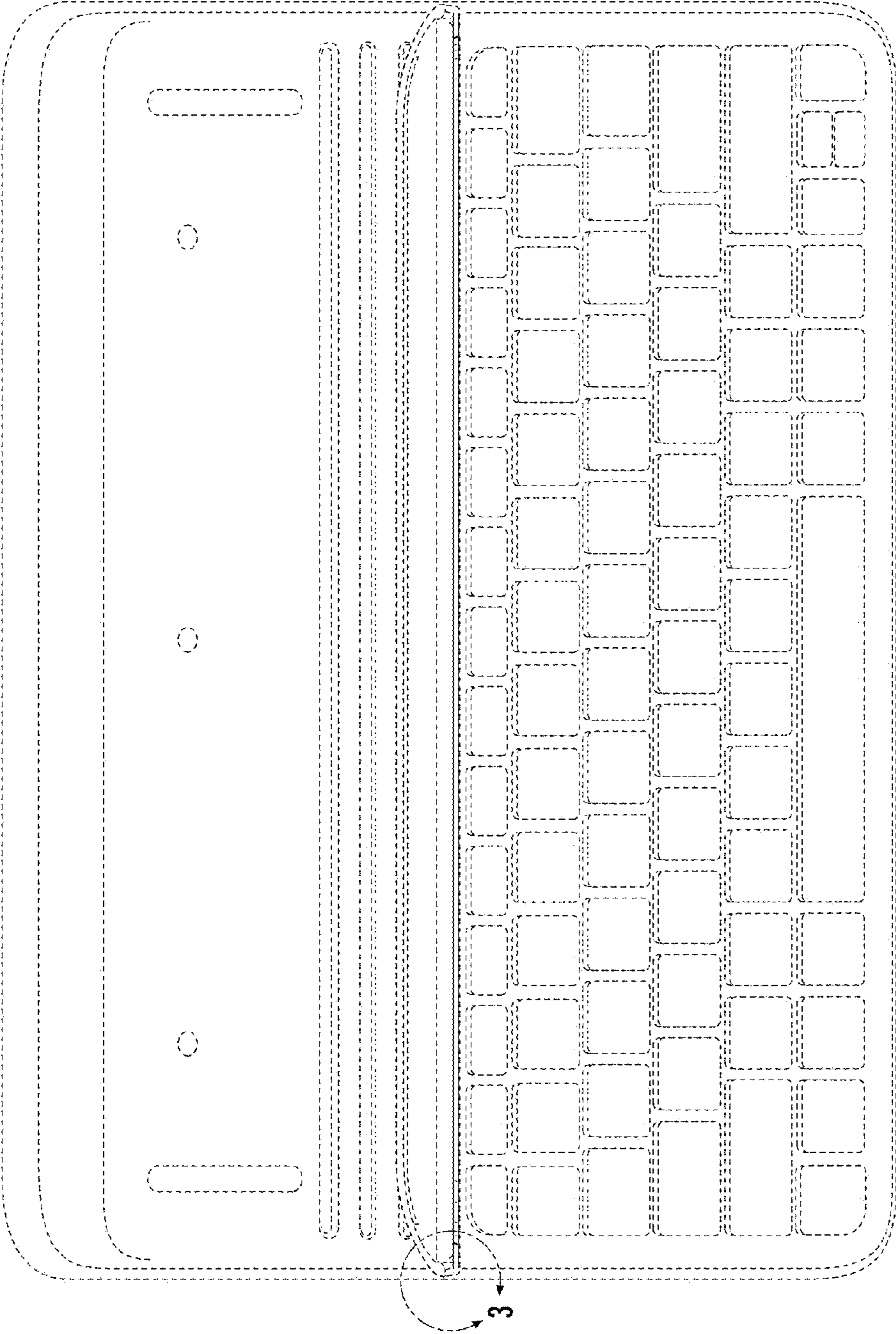


FIG. 6