



US00D719568S

(12) **United States Design Patent**
Heinrich et al.

(10) **Patent No.:** **US D719,568 S**
(45) **Date of Patent:** **** Dec. 16, 2014**

- (54) **WEARABLE DISPLAY DEVICE**
- (71) Applicant: **Google Inc.**, Mountain View, CA (US)
- (72) Inventors: **Mitchell Joseph Heinrich**, San Francisco, CA (US); **Eliot Kim**, Cupertino, CA (US)
- (73) Assignee: **Google Inc.**, Mountain View, CA (US)
- (**) Term: **14 Years**
- (21) Appl. No.: **29/495,190**
- (22) Filed: **Jun. 27, 2014**

4,240,718 A 12/1980 Wichers
 4,400,067 A 8/1983 Joffe
 4,867,551 A 9/1989 Perera

(Continued)

FOREIGN PATENT DOCUMENTS

WO 2010092904 A1 8/2010

Primary Examiner — Austin Murphy

(74) *Attorney, Agent, or Firm* — Lerner, David, Littenberg, Krumholz & Mentlik, LLP

(57) **CLAIM**

The ornamental design for a wearable display device, as shown and described.

DESCRIPTION

FIG. 1 is a front perspective view of a wearable display device according to our design;
 FIG. 2 is a front elevation view of the wearable display device;
 FIG. 3 is a back elevation view of the wearable display device;
 FIG. 4 is a right elevation view of the wearable display device;
 FIG. 5 is a left elevation view of the wearable display device;
 FIG. 6 is a top elevation view of the wearable display device;
 FIG. 7 is a bottom elevation view of the wearable display device; and,
 FIG. 8 a rear perspective view of the wearable display device. Broken lines are environmental only and form no part of the claimed design.
 Dash-dot lines adjacent un-shaded areas represent bounds of the claimed design and form no part of the claimed design themselves.
 The pairs of closely adjacent, spaced jagged broken lines in the drawings form no part of the claimed design and the portions between such pairs of jagged broken lines are broken away to disclose indeterminate length. Portions of the design that may be visible between the jagged lines have been removed for clarity.

Related U.S. Application Data

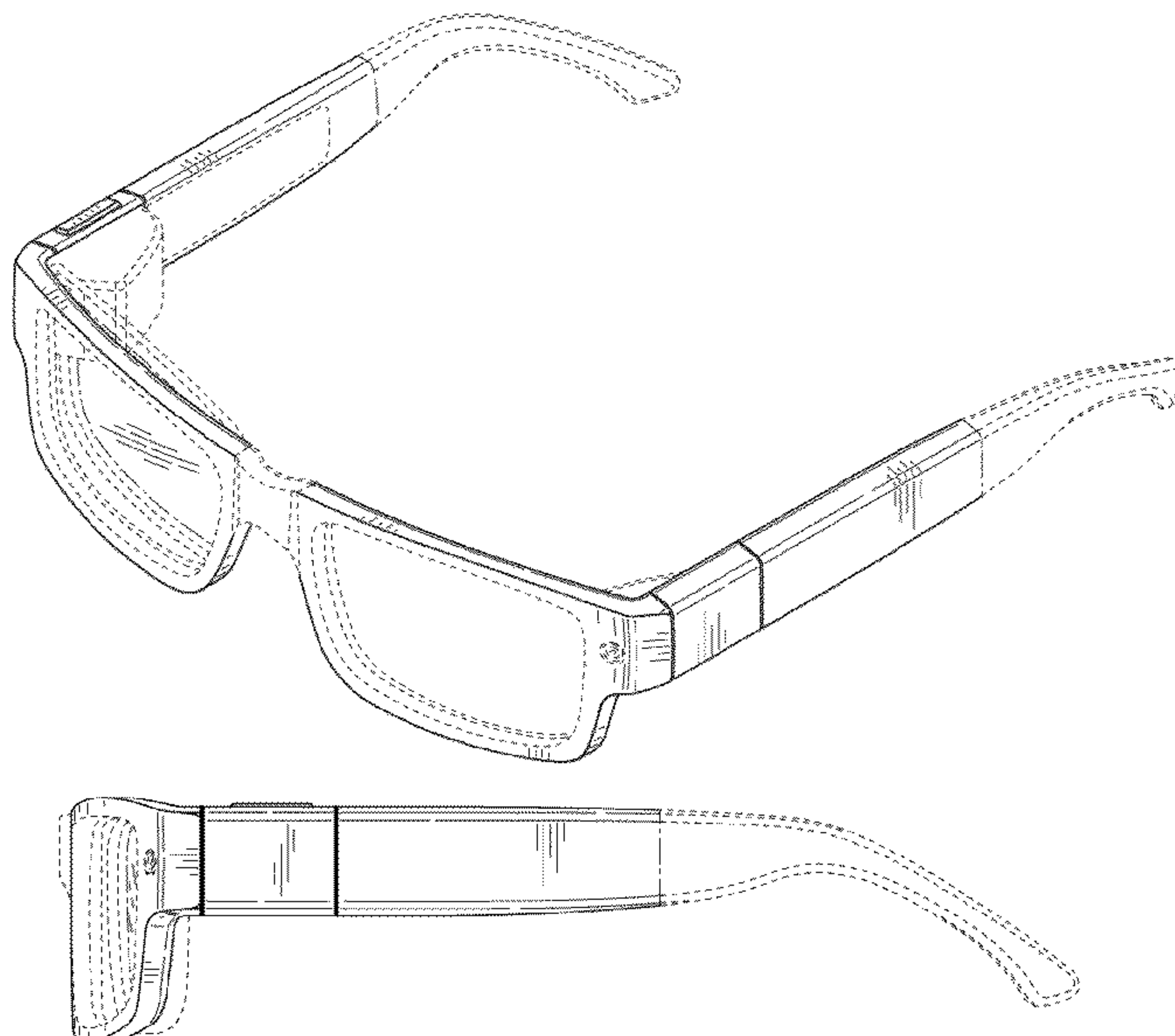
- (62) Division of application No. 29/433,051, filed on Sep. 25, 2012, now Pat. No. Des. 710,928.
- (51) **LOC (10) Cl.** **14-02**
- (52) **U.S. Cl.**
USPC **D14/372; D16/300**
- (58) **Field of Classification Search**
CPC G02B 27/017; G02B 27/0158; G02B 27/0161; G02B 27/0181; G02B 27/0185; G02B 27/0189; G02B 2027/0178; G02C 11/10; G02C 11/00
USPC D14/356–358, 361, 370, 372, 385, 388, D14/432–439, 447, 458, 474, 480.1, 483, D14/484.1, 217, 239, 299; D8/349, 354, D8/395; D16/100, 330, 300, 309; 345/7–9; 351/158; 359/633, 630
See application file for complete search history.

(56) **References Cited**

U.S. PATENT DOCUMENTS

3,701,591 A 10/1972 Wichers
 3,944,344 A 3/1976 Wichers

1 Claim, 6 Drawing Sheets



(56)

References Cited

U.S. PATENT DOCUMENTS

D327,079 S	6/1992	Allen	
D334,557 S	4/1993	Hunter et al.	
D337,320 S	7/1993	Hunter et al.	
D354,969 S	1/1995	Garcia	
D354,974 S	1/1995	Wielhouwer	
D366,888 S	2/1996	Locquiao	
D375,111 S	10/1996	Wielhouwer	
5,729,321 A	3/1998	Wielhouwer	
D399,238 S	10/1998	Simioni	
D402,651 S	12/1998	Depay et al.	
6,034,653 A	3/2000	Robertson et al.	
D427,622 S	7/2000	Conway	
D428,620 S	7/2000	Maturaporn	
D430,589 S	9/2000	Markovitz et al.	
D431,042 S	9/2000	Lin	
D433,023 S *	10/2000	Pinchuk	D14/372
D436,960 S	1/2001	Budd et al.	
D437,340 S *	2/2001	Hsieh Yeh	D16/315
D439,265 S *	3/2001	Hayashi	D16/300
D443,864 S *	6/2001	Obata	D14/126
D467,961 S	12/2002	Lane	
D481,062 S	10/2003	Lane	
D512,985 S	12/2005	Travers et al.	
D533,893 S	12/2006	Canavan et al.	
D537,078 S	2/2007	Tanaka et al.	
D556,815 S *	12/2007	Travers et al.	D16/325
D559,250 S	1/2008	Pombo	
D565,082 S	3/2008	McClure et al.	
D571,366 S *	6/2008	Lee et al.	D14/372
D578,120 S	10/2008	Lowe et al.	
D579,014 S *	10/2008	Travers et al.	D14/372
D602,064 S	10/2009	Mitsui et al.	
7,631,968 B1	12/2009	Dobson et al.	
7,648,236 B1	1/2010	Dobson	
D616,486 S	5/2010	Carlow et al.	
D621,805 S *	8/2010	Travers et al.	D14/126
D624,111 S *	9/2010	Knoop	D16/300
D636,809 S	4/2011	Hwang et al.	
D640,256 S *	6/2011	So	D14/372
D645,492 S	9/2011	Zhao	
D646,316 S	10/2011	Zhao	
D647,123 S	10/2011	Cho	
8,029,132 B1	10/2011	Park	
D649,177 S	11/2011	Cho et al.	
D660,342 S	5/2012	Kim et al.	
D662,124 S	6/2012	Shin	
D662,967 S	7/2012	Shin	
D664,185 S	7/2012	Heinrich et al.	
D666,237 S	8/2012	Olsson et al.	
D669,066 S *	10/2012	Olsson et al.	D14/309
D671,590 S	11/2012	Klinar et al.	
D680,152 S *	4/2013	Olsson et al.	D16/309
D689,115 S	9/2013	Kim et al.	
D701,557 S *	3/2014	Lee et al.	D16/309
D704,704 S *	5/2014	Tatara et al.	D14/372
2010/0045928 A1	2/2010	Levy	
2011/0213664 A1	9/2011	Osterhout et al.	

* cited by examiner

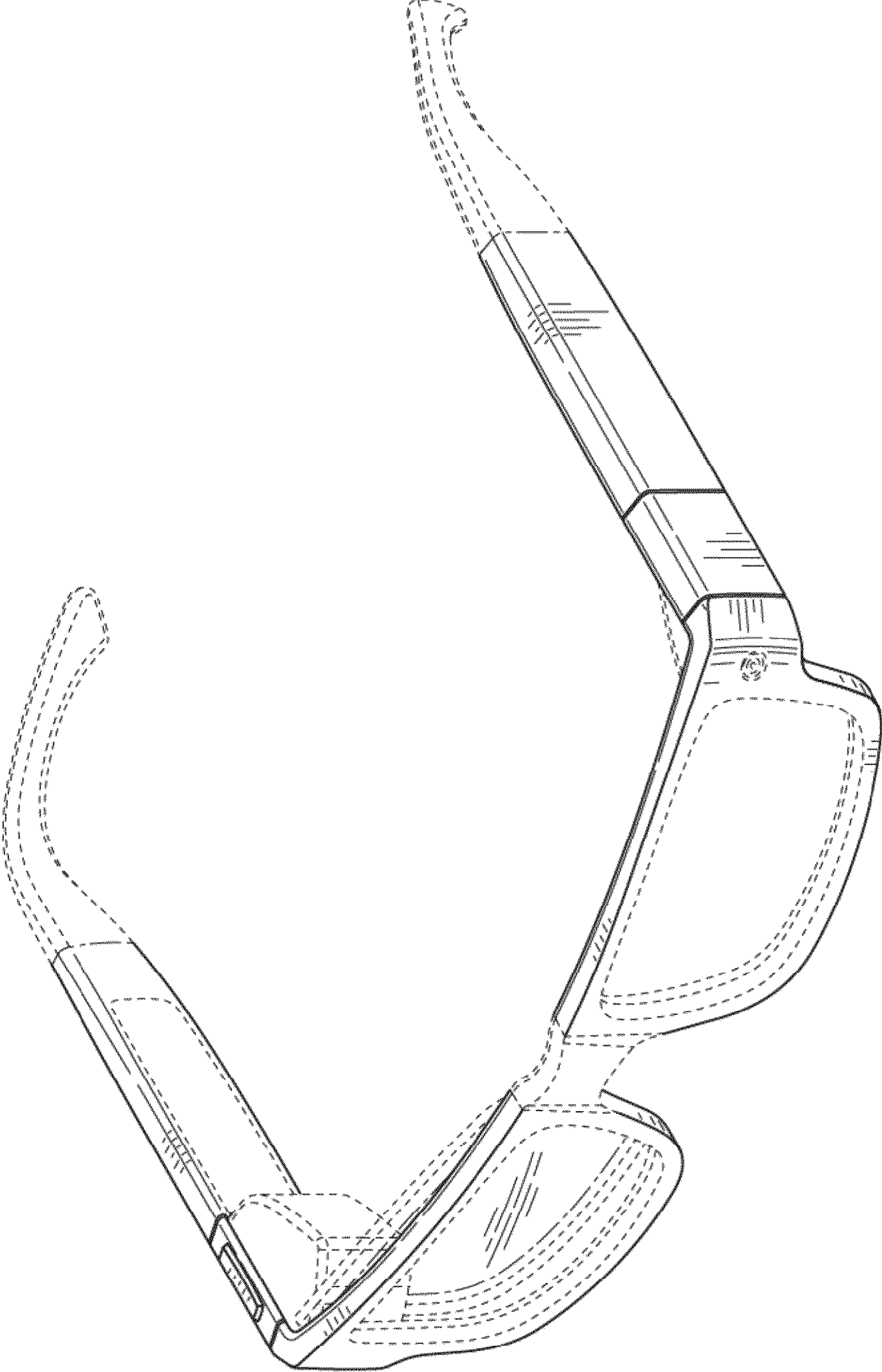


FIG. 1

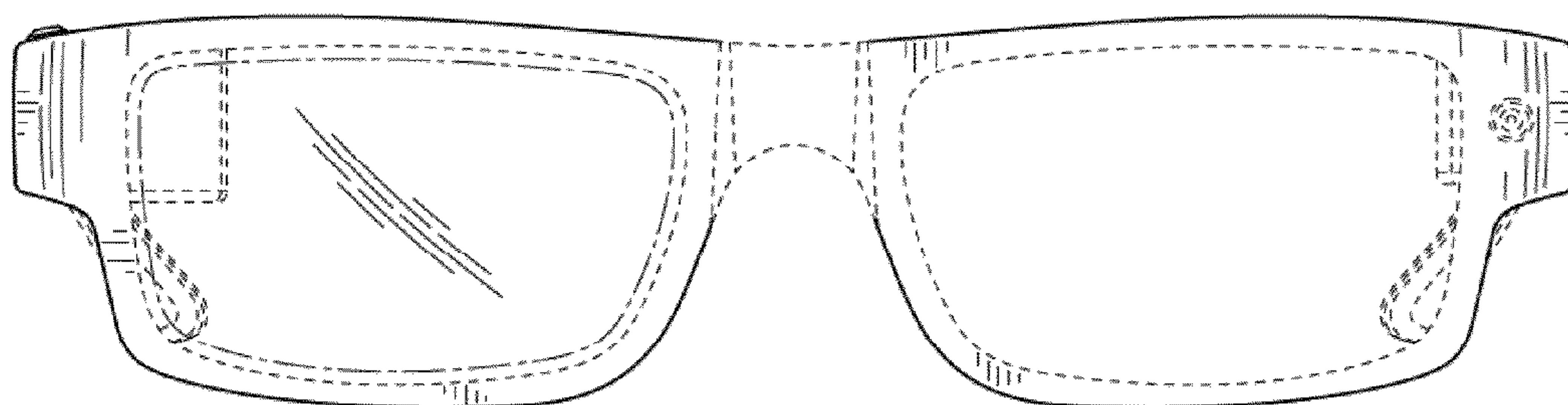


FIG. 2

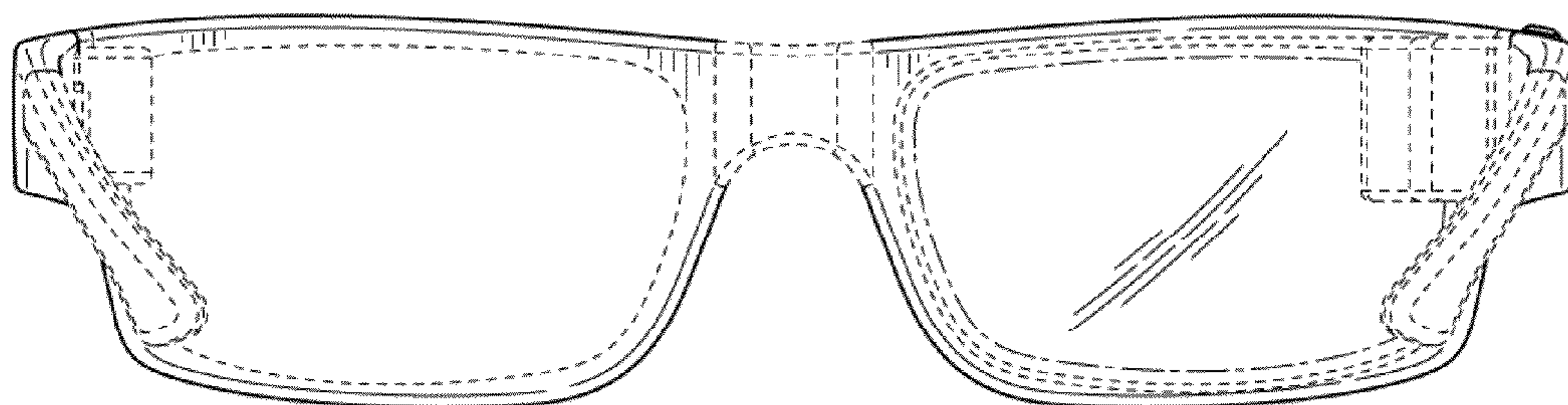


FIG. 3

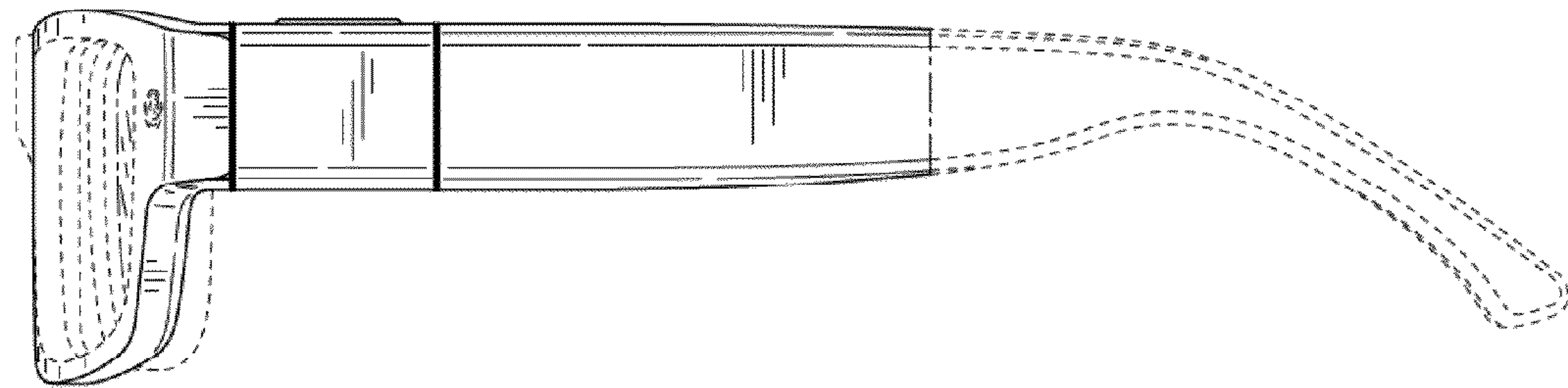


FIG. 4

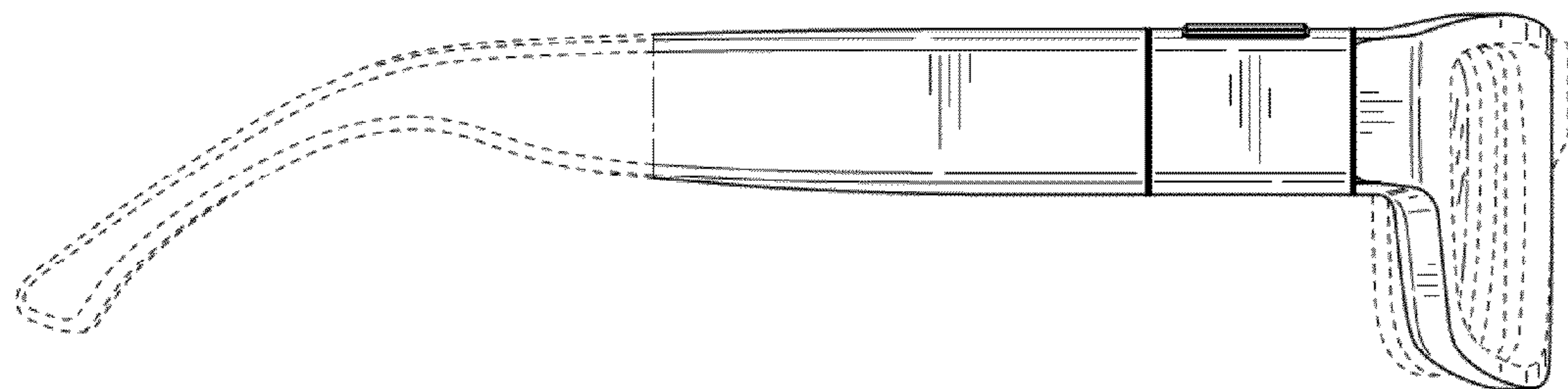


FIG. 5

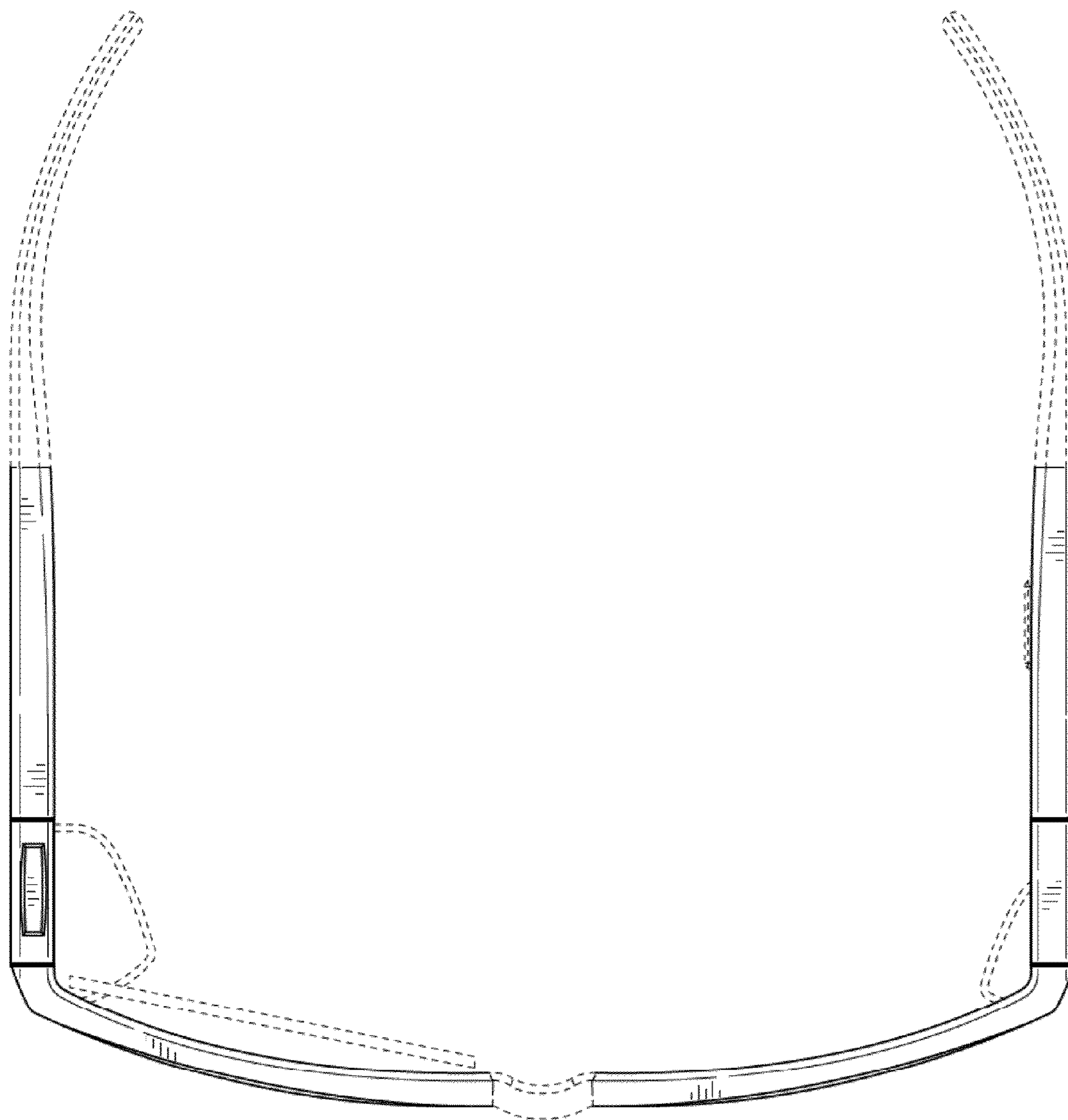


FIG. 6

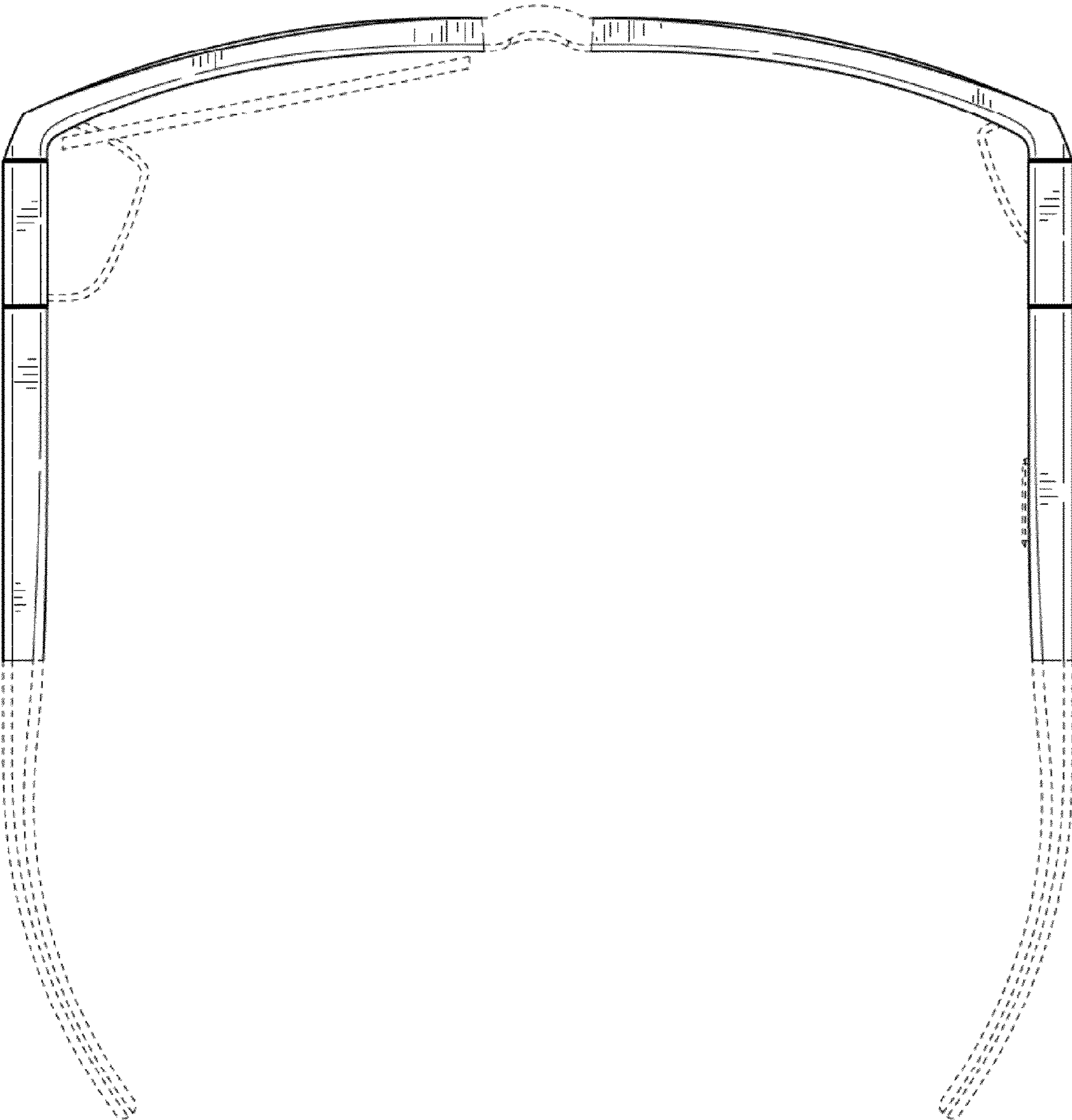


FIG. 7

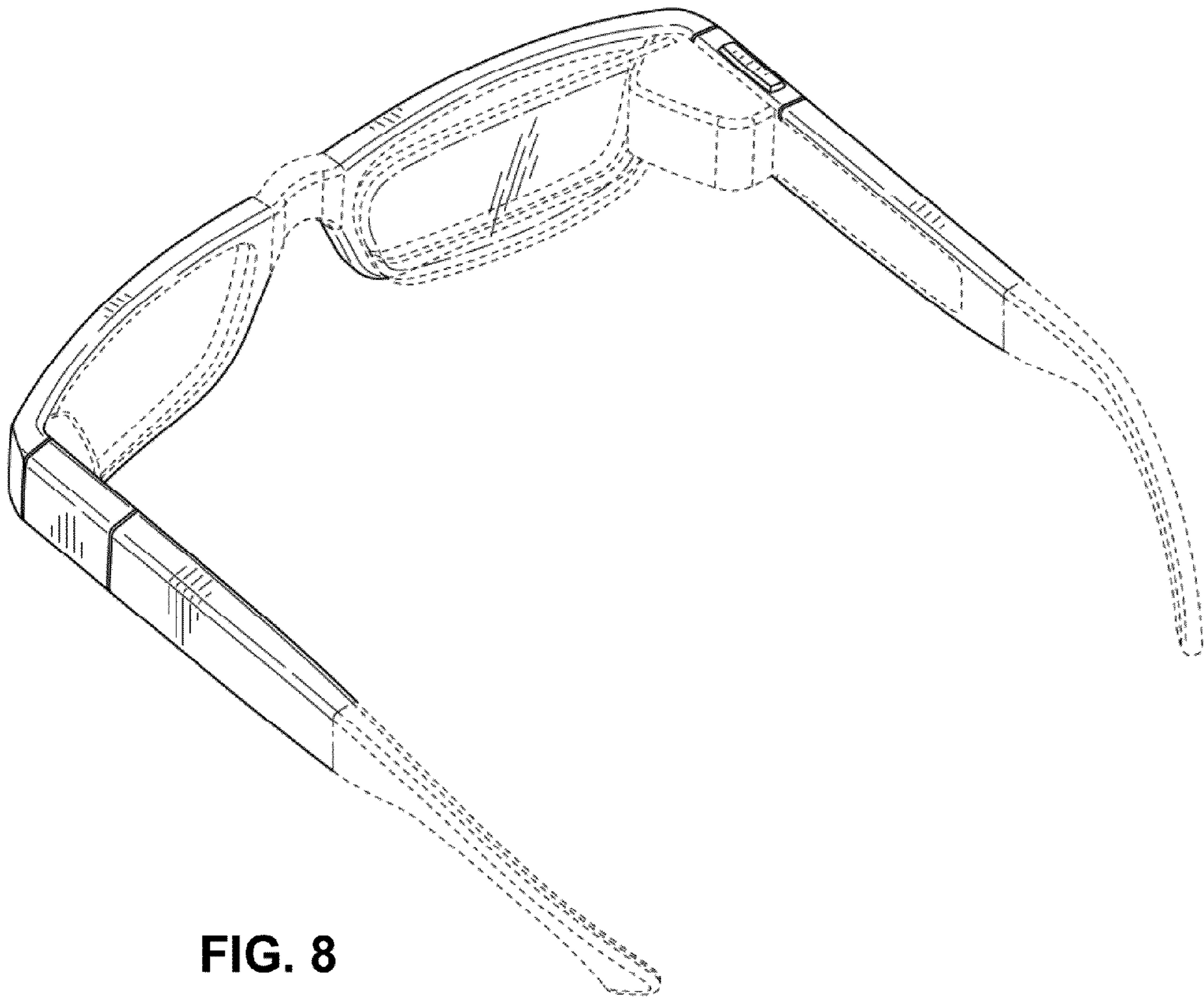


FIG. 8