



US00D719567S

(12) **United States Design Patent**
Kim et al.

(10) **Patent No.:** **US D719,567 S**

(45) **Date of Patent:** **** Dec. 16, 2014**

- (54) **WEARABLE DISPLAY DEVICE**
- (71) Applicant: **Google Inc.**, Mountain View, CA (US)
- (72) Inventors: **Eliot Kim**, Cupertino, CA (US);
Mitchell Joseph Heinrich, San Francisco, CA (US)
- (73) Assignee: **Google Inc.**, Mountain View, CA (US)
- (**) Term: **14 Years**
- (21) Appl. No.: **29/495,177**
- (22) Filed: **Jun. 27, 2014**

- D337,320 S * 7/1993 Hunter et al. D14/372
- D381,346 S * 7/1997 Ronzani et al. D14/372
- D385,573 S * 10/1997 Ertz D16/310
- D394,872 S 6/1998 Atabeyki
- D402,651 S * 12/1998 Depay et al. D14/372

(Continued)

Primary Examiner — Austin Murphy

(74) *Attorney, Agent, or Firm* — Lerner, David, Littenberg, Krumholz & Mentlik, LLP

(57) **CLAIM**

The ornamental design for a wearable display device, as shown and described.

DESCRIPTION

FIG. 1 is a front perspective view of the wearable display device;

FIG. 2 is a front elevation view of the wearable display device;

FIG. 3 is a back elevation view of the wearable display device;

FIG. 4 is a right elevation view of the wearable display device;

FIG. 5 is a left elevation view of the wearable display device;

FIG. 6 is a top elevation view of the wearable display device;

FIG. 7 is a bottom elevation view of the wearable display device; and,

FIG. 8 a rear perspective view of the wearable display device. Broken lines are environmental only and form no part of the claimed design.

Dash-dot lines adjacent un-shaded areas represent bounds of the claimed design and form no part of the claimed design themselves.

The pairs of closely adjacent, spaced jagged broken lines in the drawings form no part of the claimed design and the portions between such pairs of jagged broken lines are broken away to disclose indeterminate length. Portions of the design that may be visible between the jagged lines have been removed for clarity.

Related U.S. Application Data

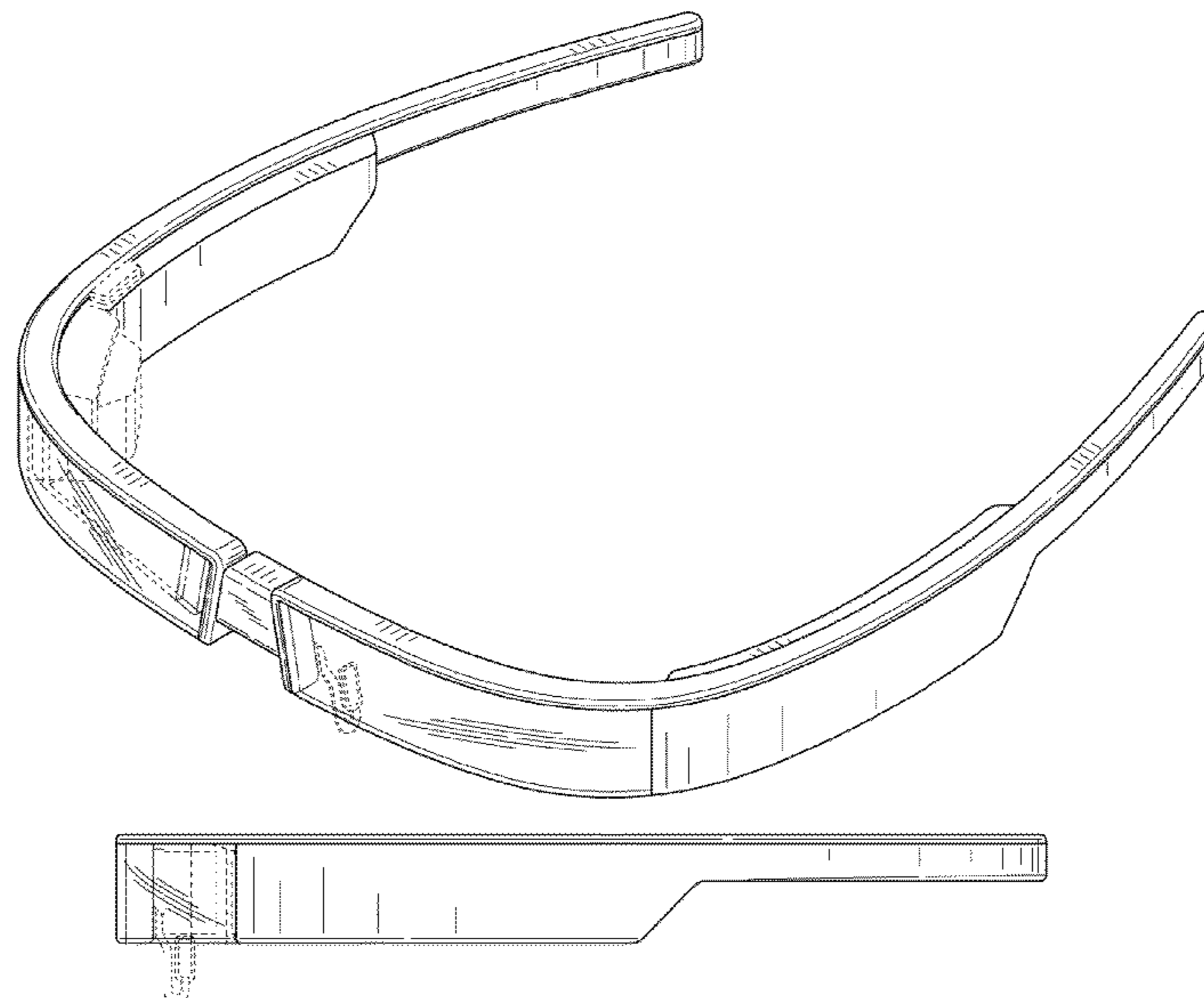
- (62) Division of application No. 29/433,048, filed on Sep. 25, 2012, now Pat. No. Des. 710,427.
- (51) **LOC (10) Cl.** **14-02**
- (52) **U.S. Cl.**
USPC **D14/372; D16/300**
- (58) **Field of Classification Search**
CPC G02B 27/017; G02B 27/0158; G02B 27/0161; G02B 27/0181; G02B 27/0185; G02B 27/0189; G02B 2027/0178; G02C 11/10; G02C 11/00
USPC D14/356–358, 361, 370, 372, 385, 388, D14/432–439, 447, 458, 474, 480.1, 483, D14/484.1, 217, 239, 299; D8/349, 354, D8/395; D16/100, 330, 300, 309; 345/7–9; 351/158; 359/633, 630
See application file for complete search history.

(56) **References Cited**

U.S. PATENT DOCUMENTS

- D199,934 S * 12/1964 Blair D16/315
- D203,136 S 12/1965 Shindler
- D204,564 S 4/1966 Carmichael

1 Claim, 6 Drawing Sheets



(56)

References Cited

U.S. PATENT DOCUMENTS

D404,053	S	*	1/1999	Hsieh	D16/315	
6,034,653	A	*	3/2000	Robertson et al.	345/8	
D433,023	S	*	10/2000	Pinchuk	D14/372	
D437,340	S	*	2/2001	Hsieh Yeh	D16/315	
D439,265	S	*	3/2001	Hayashi	D16/300	
D443,864	S	*	6/2001	Obata	D14/126	
D556,815	S	*	12/2007	Travers et al.	D16/325	
D565,633	S		4/2008	Doolan			
D571,366	S	*	6/2008	Lee et al.	D14/372	
D579,014	S	*	10/2008	Travers et al.	D14/372	
D624,111	S		9/2010	Knoop			
D633,553	S		3/2011	Cheng			
D633,939	S		3/2011	Puentes et al.			
D638,462	S		5/2011	Bumgardner et al.			
D640,256	S	*	6/2011	So	D14/372	
D659,739	S	*	5/2012	Olsson et al.	D16/300	
D659,740	S	*	5/2012	Olsson et al.	D16/300	
D664,586	S	*	7/2012	Olsson	D16/300	
D666,237	S	*	8/2012	Olsson et al.	D16/309	
D667,865	S		9/2012	McLaughlin			
D669,066	S	*	10/2012	Olsson et al.	D14/309	
D671,589	S	*	11/2012	Olsson	D16/300	
D680,152	S	*	4/2013	Olsson et al.	D16/309	
D688,727	S	*	8/2013	Olsson	D16/300	
D697,962	S	*	1/2014	Olsson	D16/300	
D701,557	S	*	3/2014	Lee et al.	D16/309	
D703,724	S	*	4/2014	Olsson	D16/300	
D704,704	S	*	5/2014	Tatara et al.	D14/372	
D708,181	S	*	7/2014	Olsson et al.	D14/372	
D710,427	S	*	8/2014	Kim et al.	D16/300	
2004/0113867	A1		6/2004	Tomine et al.			
2005/0168824	A1		8/2005	Travers et al.			
2005/0219152	A1		10/2005	Budd et al.			
2010/0157433	A1		6/2010	Mukawa et al.			

* cited by examiner

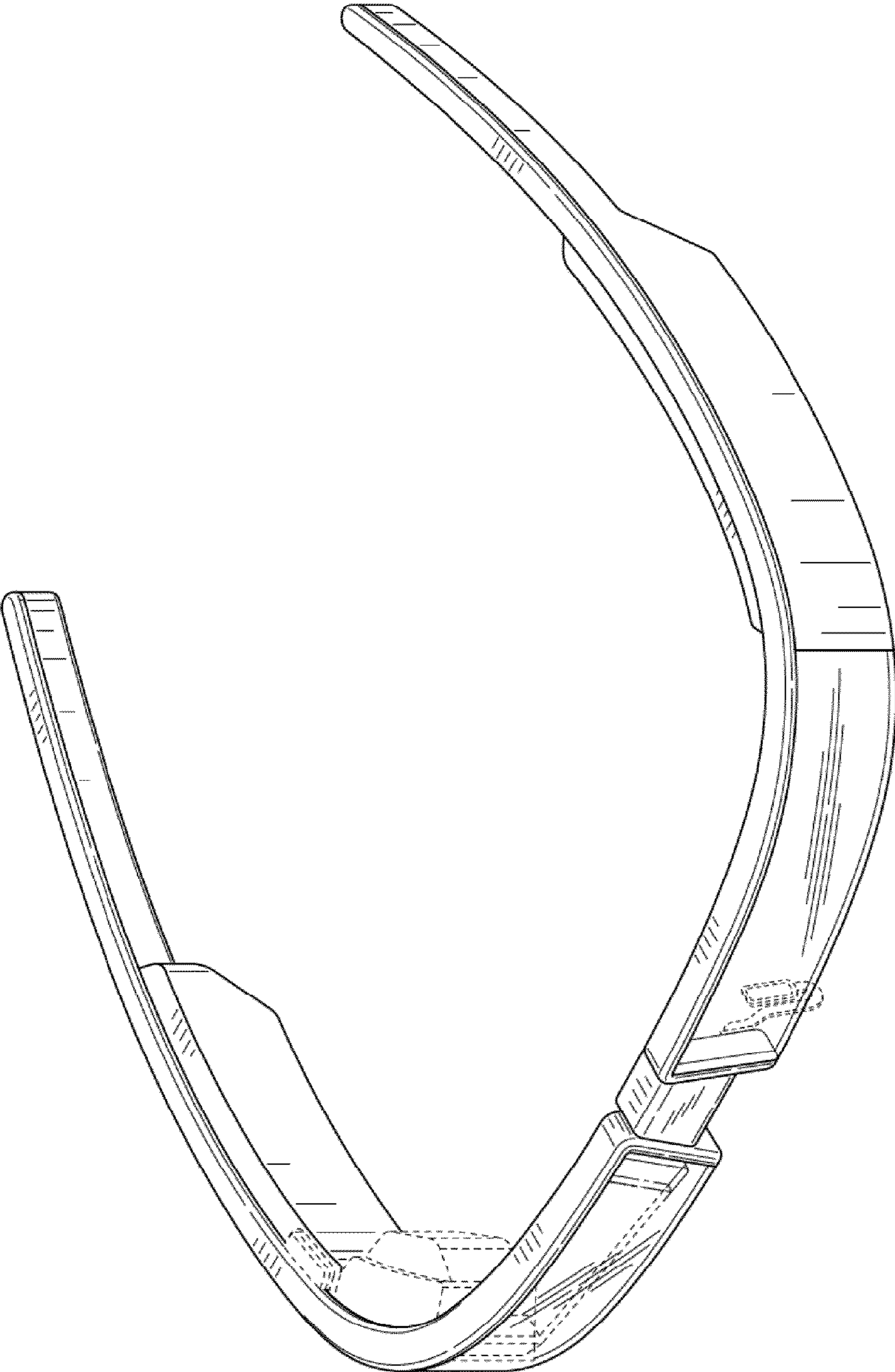


FIG. 1

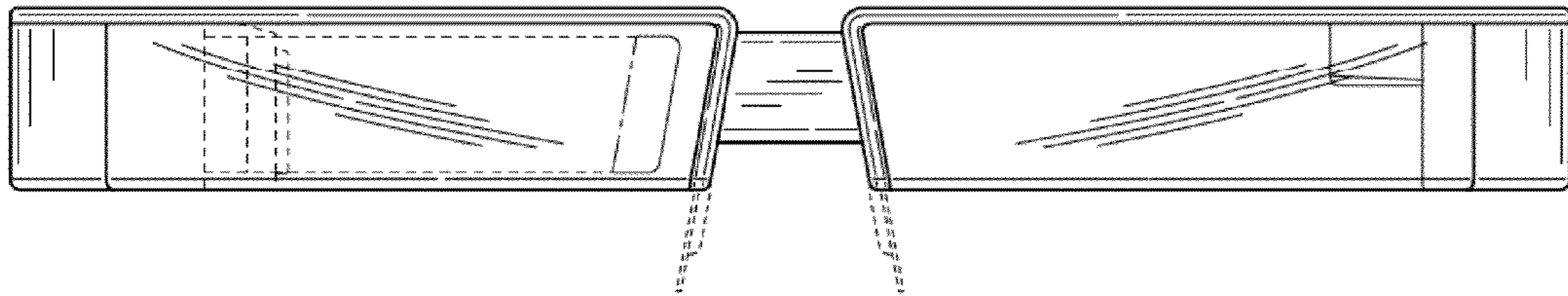


FIG. 2

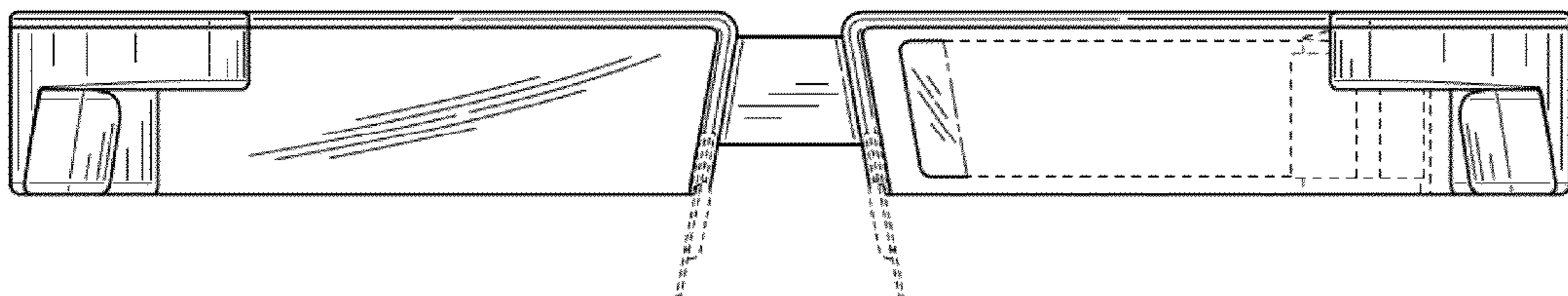


FIG. 3

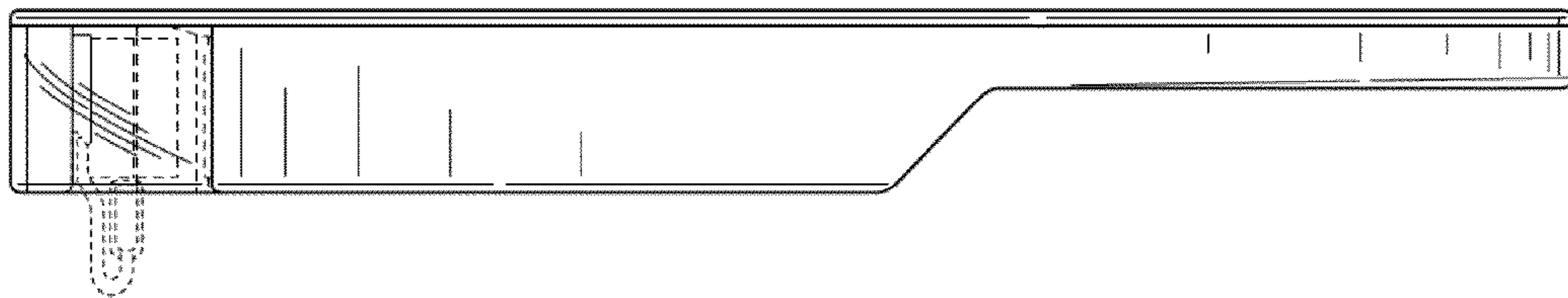


FIG. 4

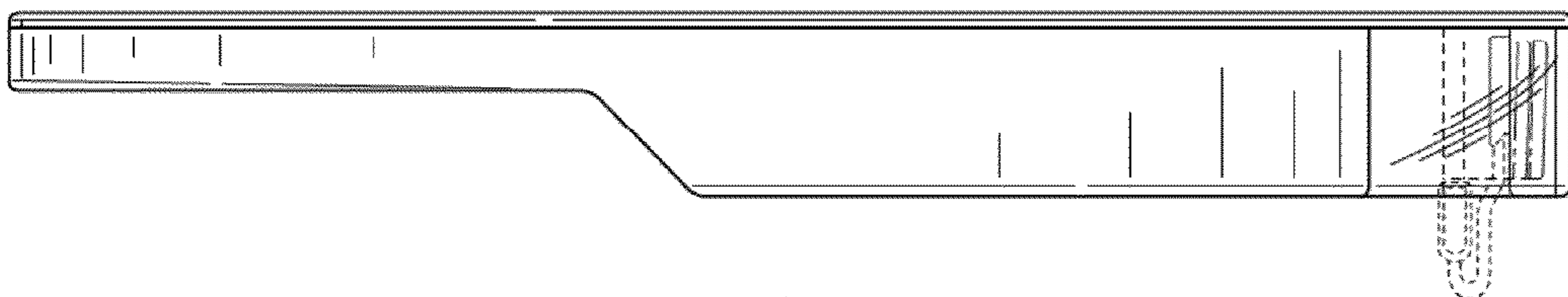


FIG. 5

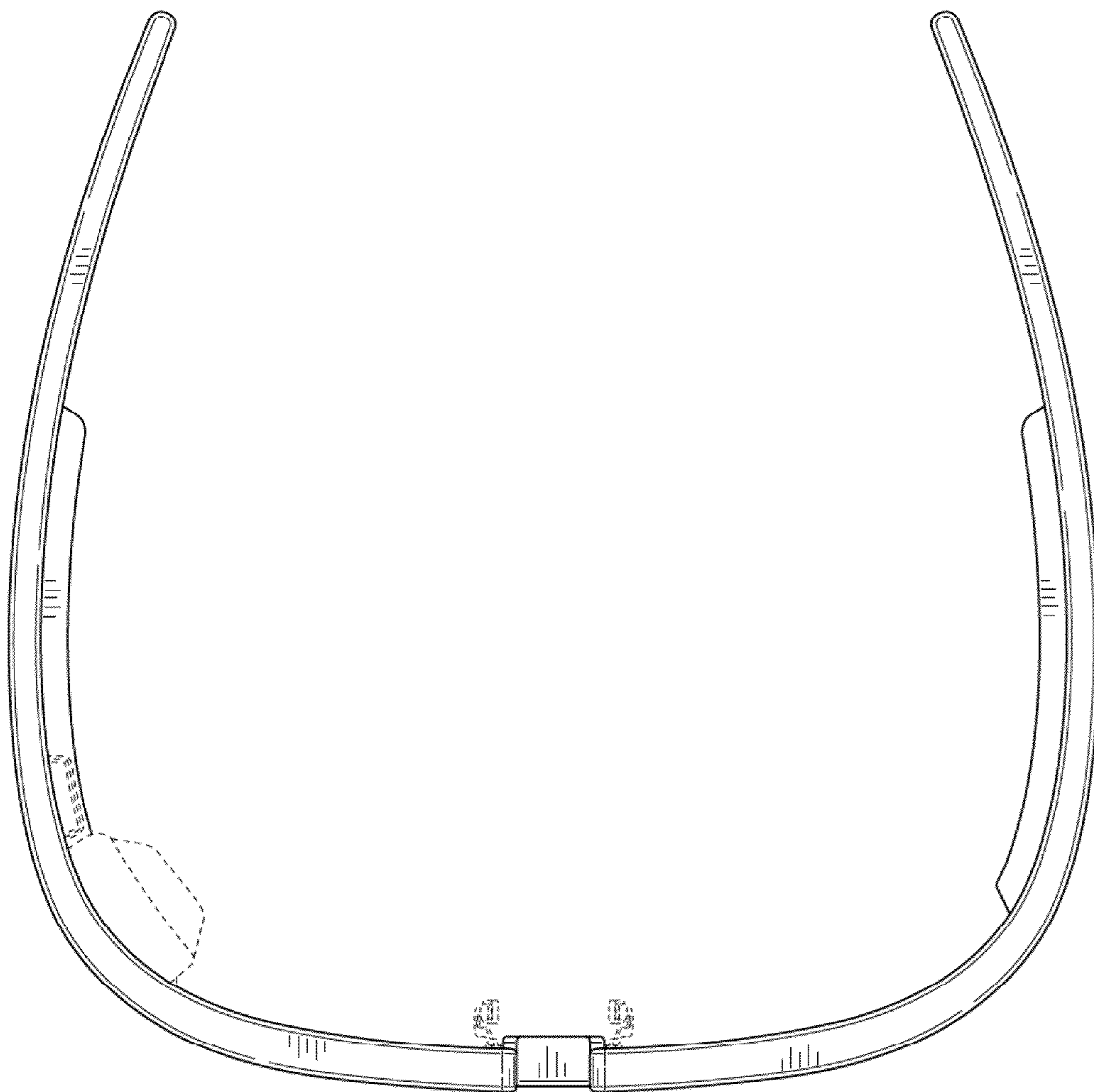


FIG. 6

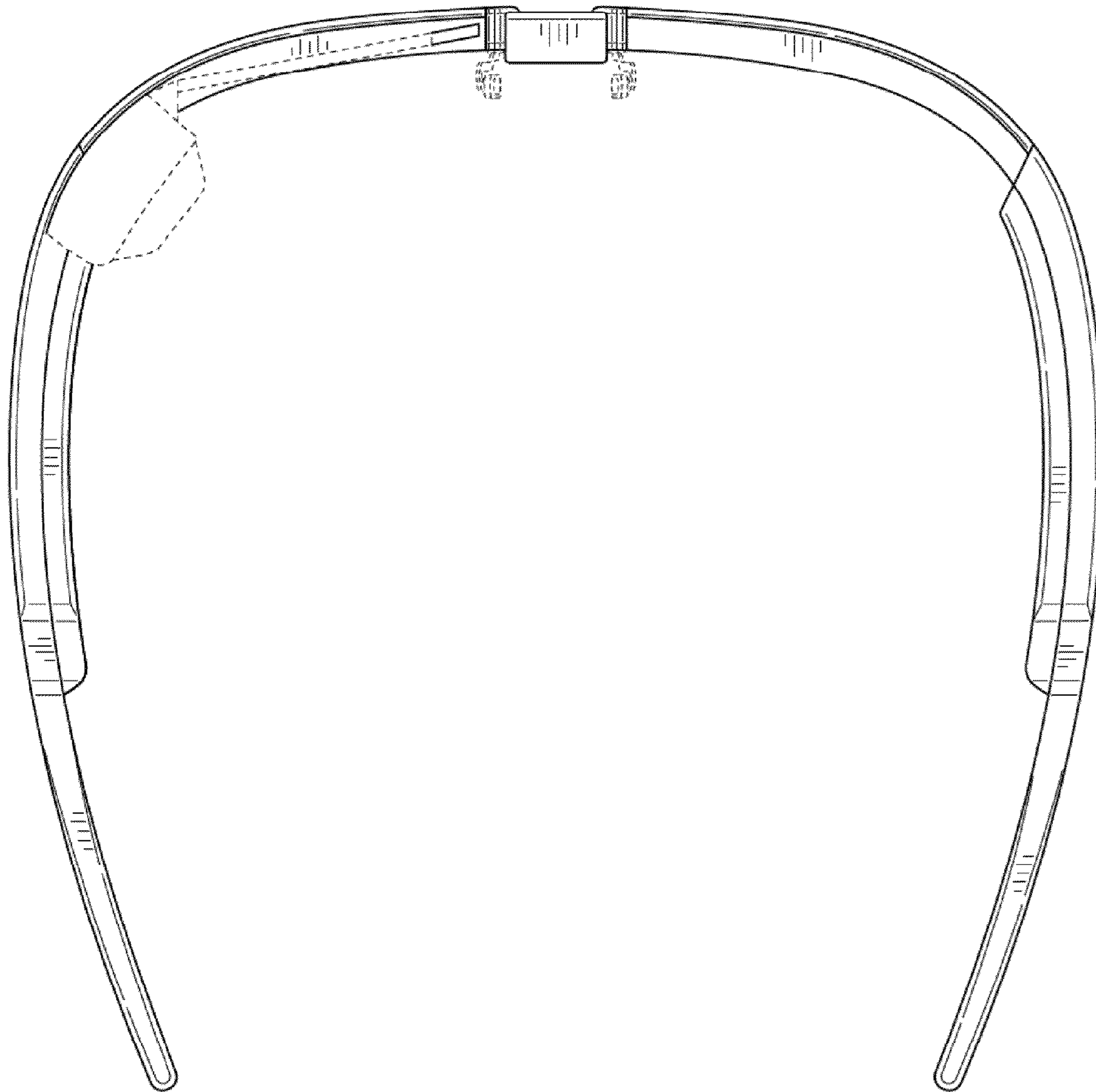


FIG. 7

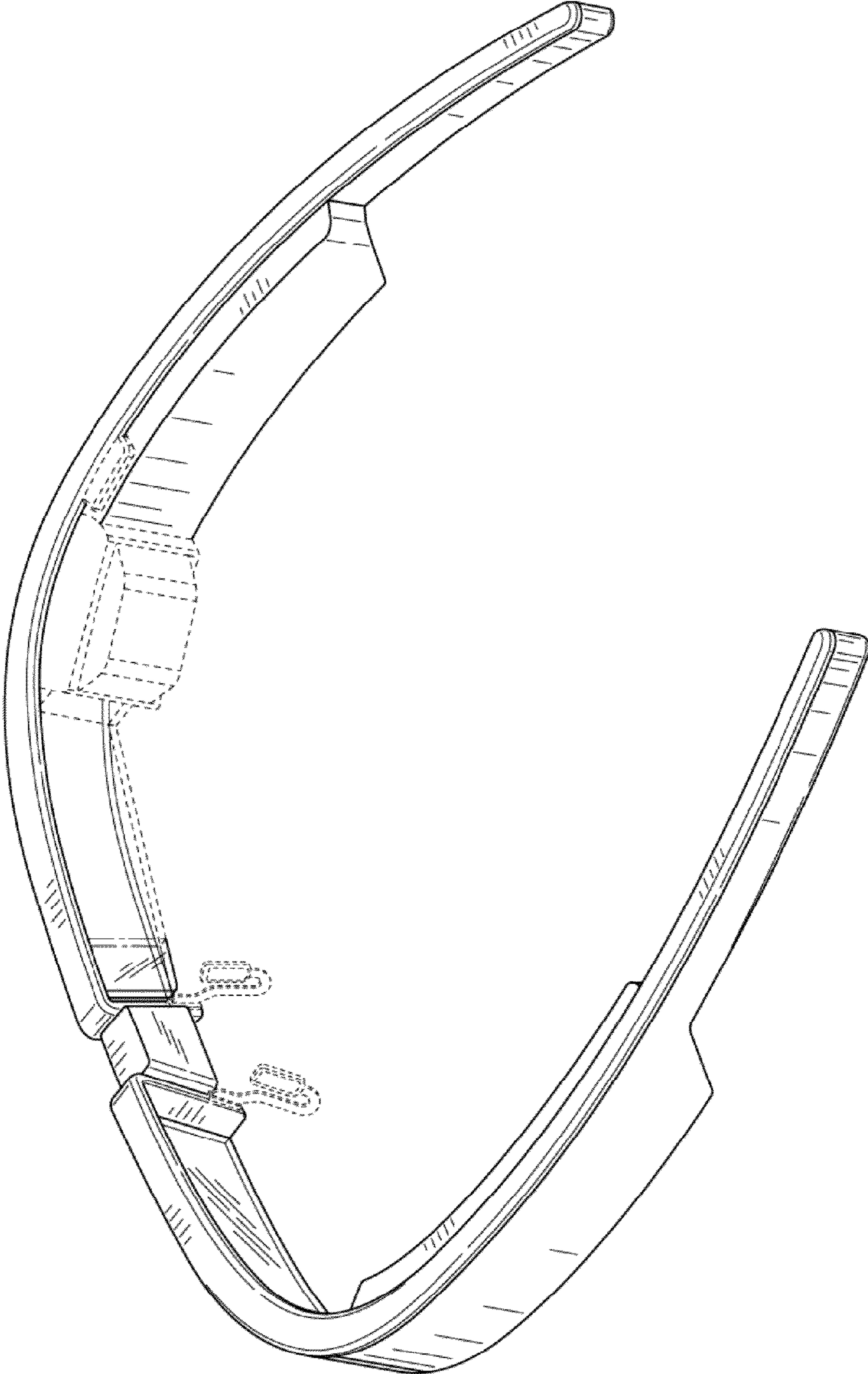


FIG. 8