



US00D719565S

(12) **United States Design Patent**
Hirayama et al.

(10) **Patent No.:** **US D719,565 S**

(45) **Date of Patent:** **** Dec. 16, 2014**

(54) **PORTABLE COMPUTER**

(56) **References Cited**

(71) Applicant: **Panasonic Corporation**, Kadoma-shi,
Osaka (JP)

U.S. PATENT DOCUMENTS

(72) Inventors: **Kensuke Hirayama**, Osaka (JP); **So Suzuki**, Osaka (JP); **Takashi Tsukahara**, Osaka (JP)

D246,625	S	*	12/1977	Becker, III	D8/403
D398,222	S	*	9/1998	Julien	D8/382
D442,182	S	*	5/2001	Oross	D14/439
D547,284	S	*	7/2007	Hsiung	D14/129
D624,615	S	*	9/2010	Kusmierz	D21/686
D627,780	S	*	11/2010	Kuroda	D14/346
D661,694	S	*	6/2012	Kondo	D14/341
D665,083	S	*	8/2012	Yang	D24/185

(73) Assignee: **Panasonic Corporation**, Osaka (JP)

(Continued)

(**) Term: **14 Years**

OTHER PUBLICATIONS

(21) Appl. No.: **29/480,768**

Panasonic Toughpad FZ-M1 review: hands-on, announced Jan. 10, 2014 [online], [site visited Sep. 19, 2014] Available from Internet, URL: <http://photos.pcpro.co.uk/blogs/wp-content/uploads/2014/01/DSC05997.JPG>.*

(22) Filed: **Jan. 29, 2014**

(30) **Foreign Application Priority Data**

Dec. 20, 2013 (JP) 2013-029958

Primary Examiner — Barbara Fox

Assistant Examiner — Dana K Weiland

(51) **LOC (10) Cl.** **14-02**

(74) *Attorney, Agent, or Firm* — Brinks Gilson & Lione

(52) **U.S. Cl.**
USPC **D14/341**

(57) **CLAIM**

We claim the ornamental design for a portable computer, as shown and described.

(58) **Field of Classification Search**

DESCRIPTION

CPC A63H 33/3016; G06F 1/1613; H04M 1/0202; H04M 1/0279; H04M 1/0281; H04M 1/0283

USPC D14/341–347, 137, 138 R, 138 AA, D14/138 C, 138 G, 496, 203.1, 203.3, 203.4, D14/203.7, 129, 130, 147, 218, 247, 248, D14/250, 385, 388, 389, 315–318, 420, 426, D14/439; D10/65, 104.1; D18/6, 7; D21/324, 329, 330, 332; 455/556.1, 455/556.2, 566, 575.1, 90.3; 379/433.04, 379/433.01, 433.06, 916; 345/173, 901, 345/905; 361/679.26, 679.27, 679.3, 361/679.55, 679.56; D6/308, 310; 463/37; 248/917–924; 348/376; D11/222

See application file for complete search history.

FIG. 1 is a front perspective view of a portable computer showing our new design;
 FIG. 2 is a rear perspective view thereof;
 FIG. 3 is front view thereof;
 FIG. 4 is a rear view thereof;
 FIG. 5 is a left side view thereof;
 FIG. 6 is a right side view thereof;
 FIG. 7 is a top view thereof; and,
 FIG. 8 is a bottom view thereof.

The broken lines shown in the drawings represent portions of the portable computer that form no part of the claimed design. Additionally, the unevenly broken lines in the drawings define the limits of the claimed design and form no part of the claimed design.

1 Claim, 8 Drawing Sheets



(56)

References Cited

U.S. PATENT DOCUMENTS

D676,043 S * 2/2013 Hirose D14/341
D677,232 S * 3/2013 Park D14/138 G
D684,150 S * 6/2013 Goradesky et al. D14/250
D688,221 S * 8/2013 Zuffo et al. D14/138 G
D691,576 S * 10/2013 Lee D14/138 G
D693,054 S * 11/2013 Verleur D27/189

D694,752 S * 12/2013 Li D14/341
D701,203 S * 3/2014 Katori et al. D14/341
D703,664 S * 4/2014 Spiro et al. D14/341
D703,665 S * 4/2014 Suzuki et al. D14/341
D705,747 S * 5/2014 Boucquey et al. D14/138 G
D706,754 S * 6/2014 Goradesky D14/250
8,774,882 B2 * 7/2014 Tages et al. 455/575.8
2011/0228459 A1 * 9/2011 Richardson et al. 361/679.01

* cited by examiner

FIG. 1

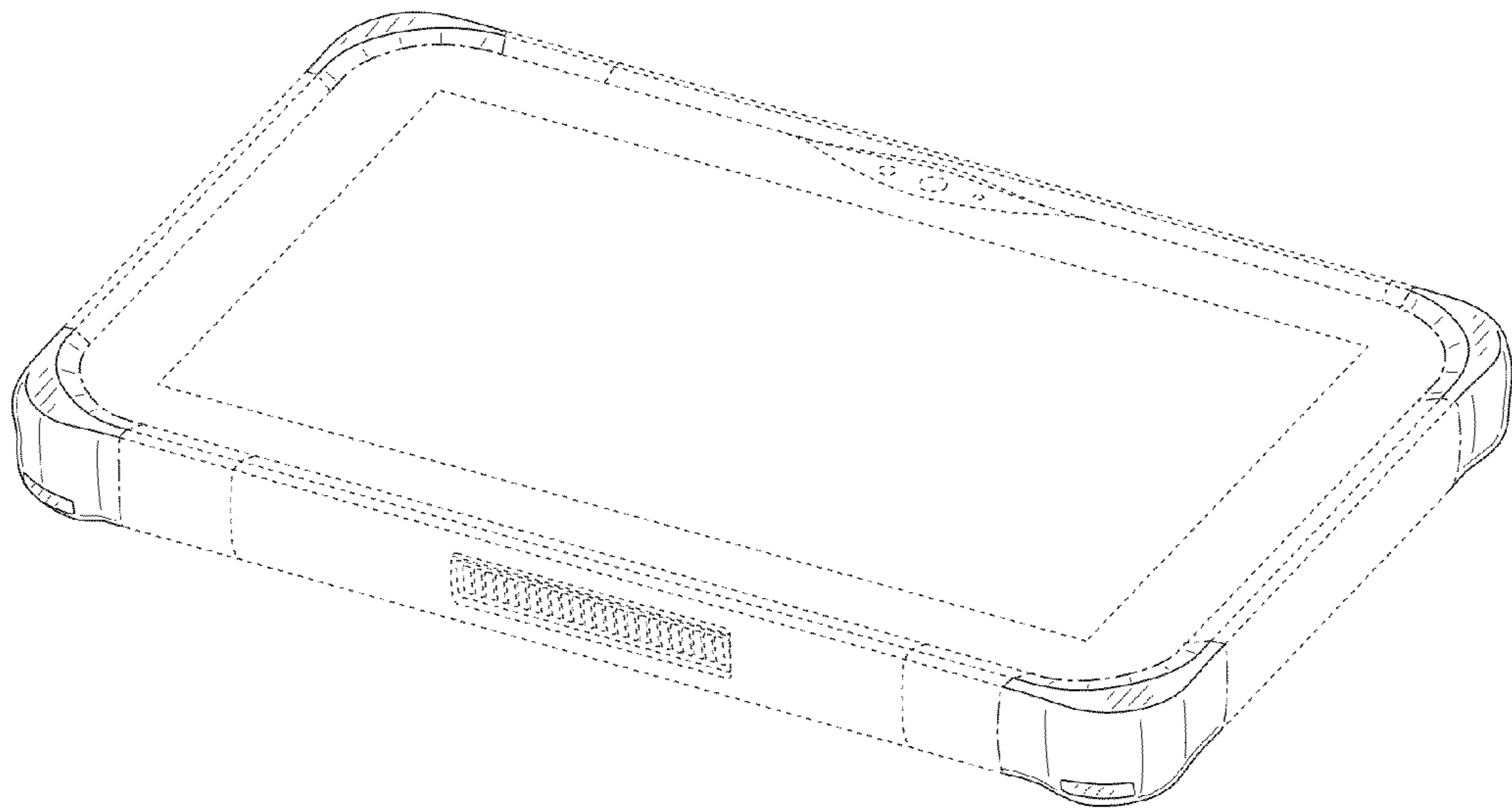


FIG.2

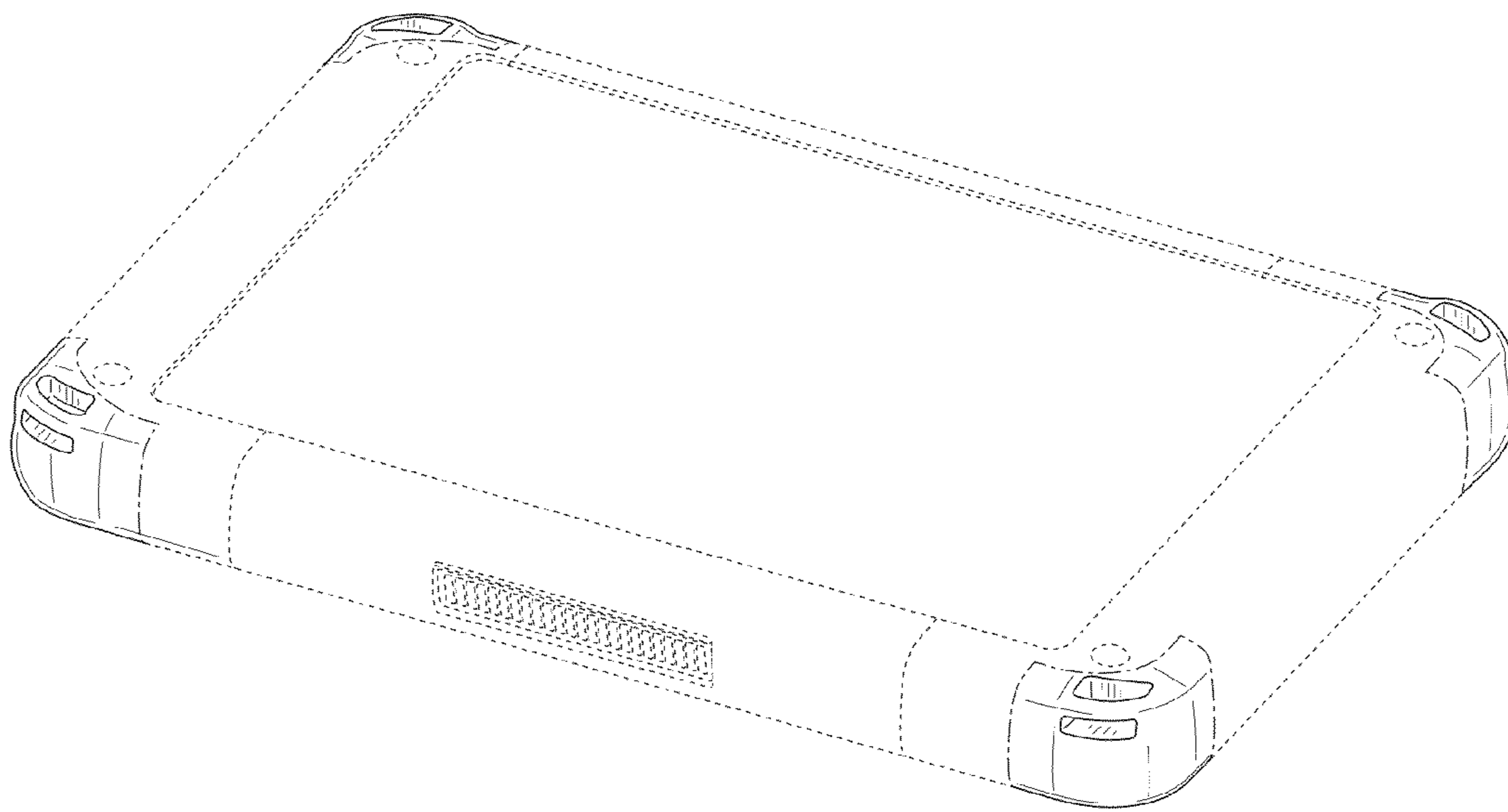


FIG.3

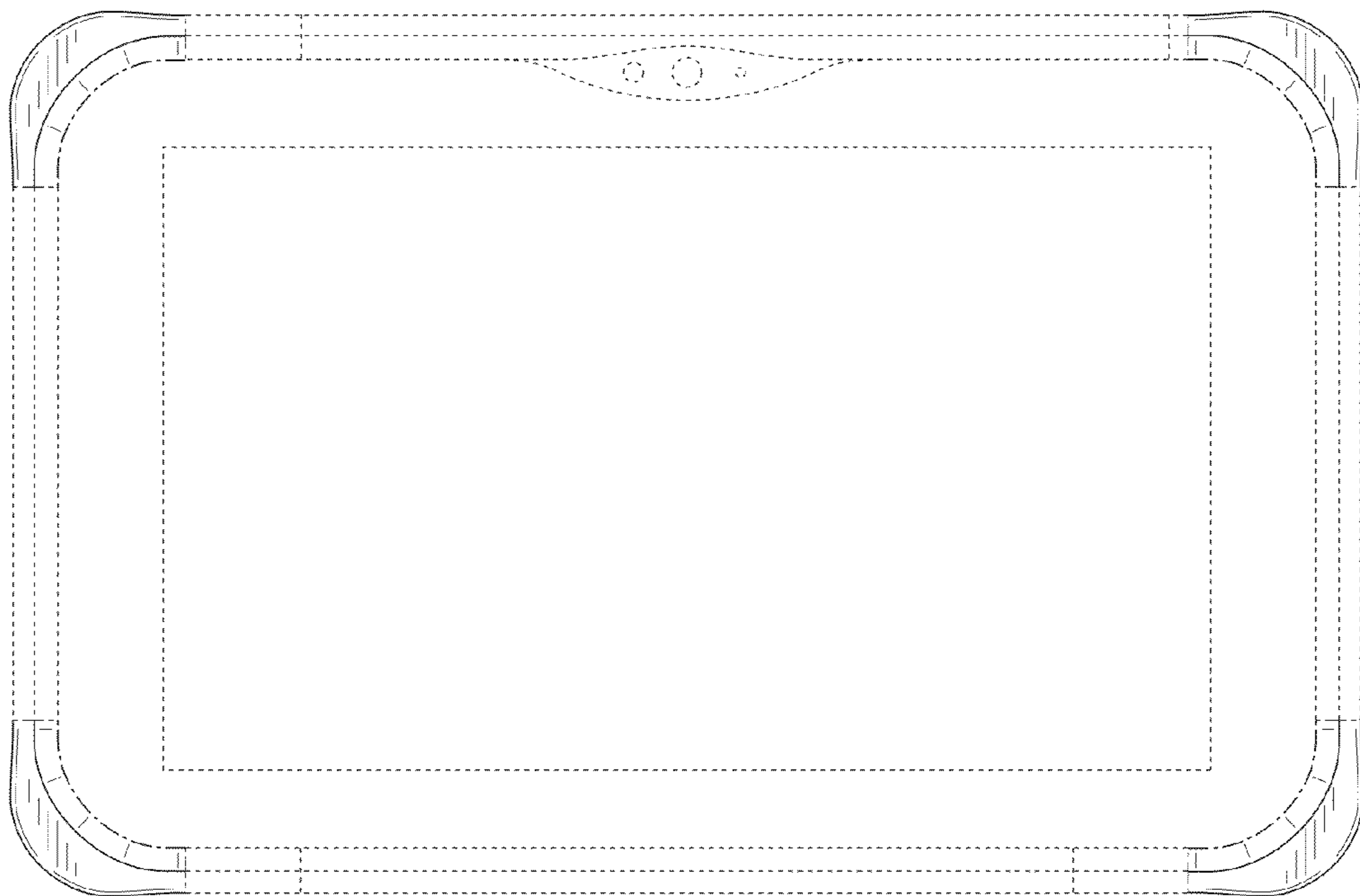


FIG.4

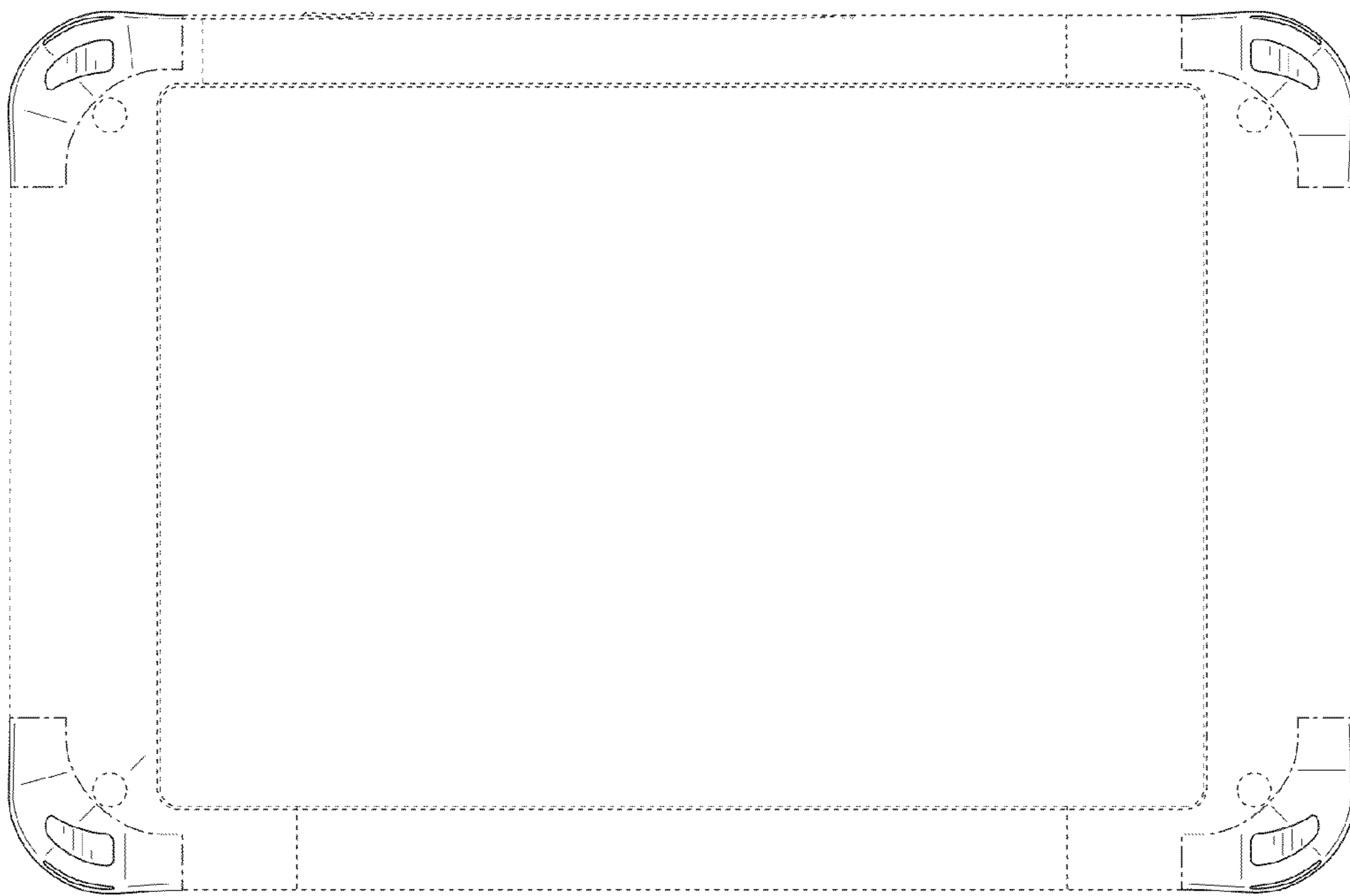


FIG.5

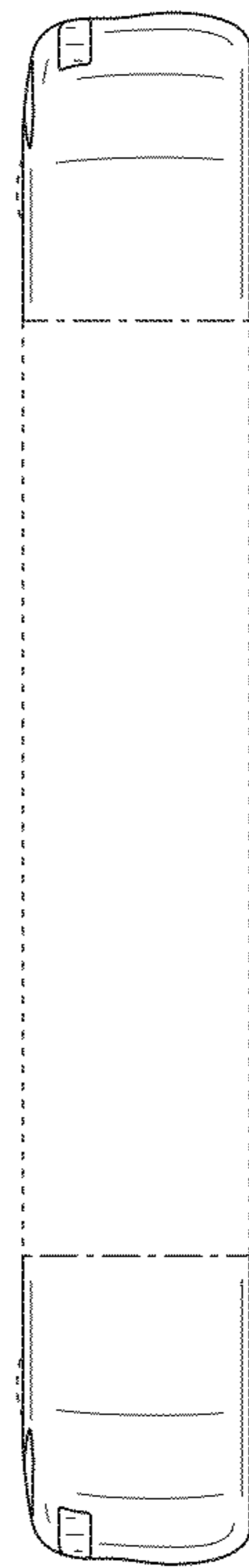


FIG.6

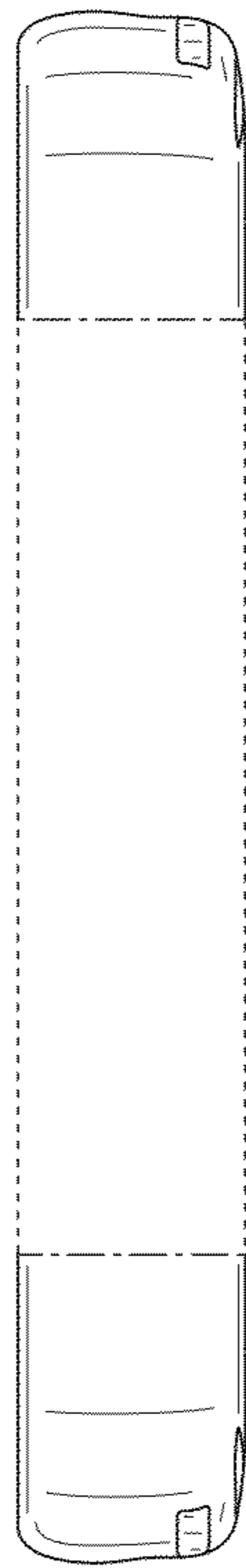


FIG.7

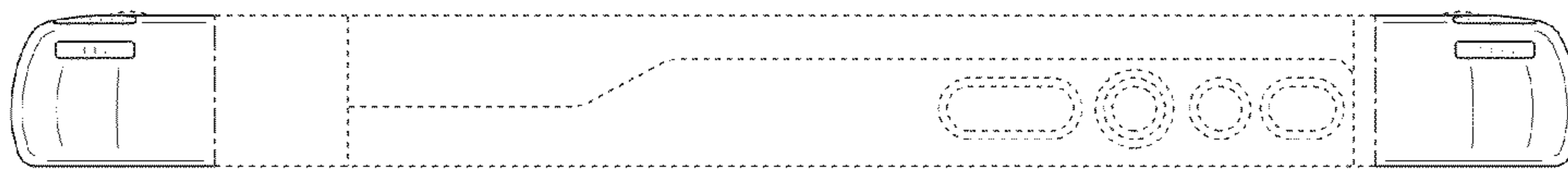


FIG. 8

