



US00D719562S

(12) **United States Design Patent**  
**Kim et al.**

(10) **Patent No.:** **US D719,562 S**

(45) **Date of Patent:** **\*\* Dec. 16, 2014**

(54) **NOTEBOOK COMPUTER**

(71) Applicant: **Samsung Electronics Co., Ltd.**,  
Suwon-si (KR)

(72) Inventors: **Chung-Ha Kim**, Seoul (KR);  
**Jung-Hwan Hong**, Seoul (KR)

(73) Assignee: **Samsung Electronics Co., Ltd.**,  
Suwon-si (KR)

(\*\*) Term: **14 Years**

(21) Appl. No.: **29/454,111**

(22) Filed: **May 7, 2013**

(30) **Foreign Application Priority Data**

Nov. 7, 2012 (KR) ..... 30-2012-0053115

(51) **LOC (10) Cl.** ..... **14-02**

(52) **U.S. Cl.**  
USPC ..... **D14/315**

(58) **Field of Classification Search**  
USPC ..... D14/315-327, 455; D18/1, 2, 7, 11;  
235/145 A, 145 R; 341/22, 23; 345/104,  
345/156, 168, 169, 173; 361/679.08,  
361/679.09, 679.11, 679.26, 679.27

See application file for complete search history.

(56) **References Cited**

U.S. PATENT DOCUMENTS

6,775,129	B1 *	8/2004	Ghosh et al. ....	361/679.27
6,781,819	B2 *	8/2004	Yang et al. ....	361/679.09
6,785,128	B1 *	8/2004	Yun .....	361/679.27
7,916,889	B2 *	3/2011	Takakusaki .....	361/679.09

\* cited by examiner

*Primary Examiner* — Freda S Nunn

(74) *Attorney, Agent, or Firm* — NSIP Law

(57) **CLAIM**

The ornamental design for a notebook computer, as shown and described.

**DESCRIPTION**

FIG. 1 is a perspective view of a notebook computer, showing our new design;

FIG. 2 is a front view thereof;

FIG. 3 is a rear view thereof;

FIG. 4 is a left-side view thereof;

FIG. 5 is a right-side view thereof;

FIG. 6 is a top plan view thereof;

FIG. 7 is a bottom plan view thereof; and,

FIG. 8 is an enlarged view of the portion X encircled in FIG. 5.

The broken lines illustrate environmental structure and form no part of the claimed design. The dot-dot-dash lines encircle portions of the claimed design that are illustrated in enlargements and form no part of the claimed design. The shade lines in the figures show contour and not surface ornamentation.

**1 Claim, 6 Drawing Sheets**

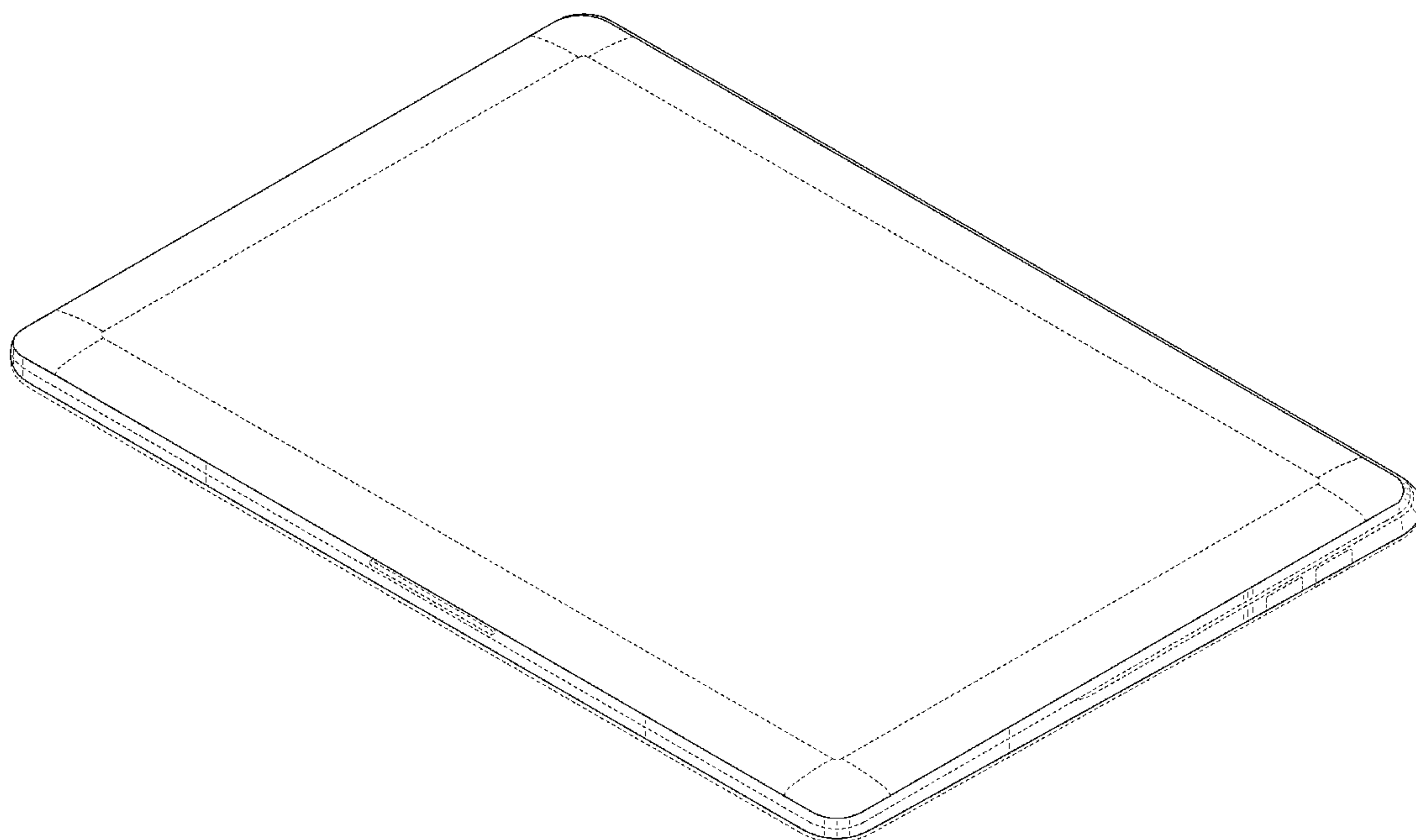


FIG. 1

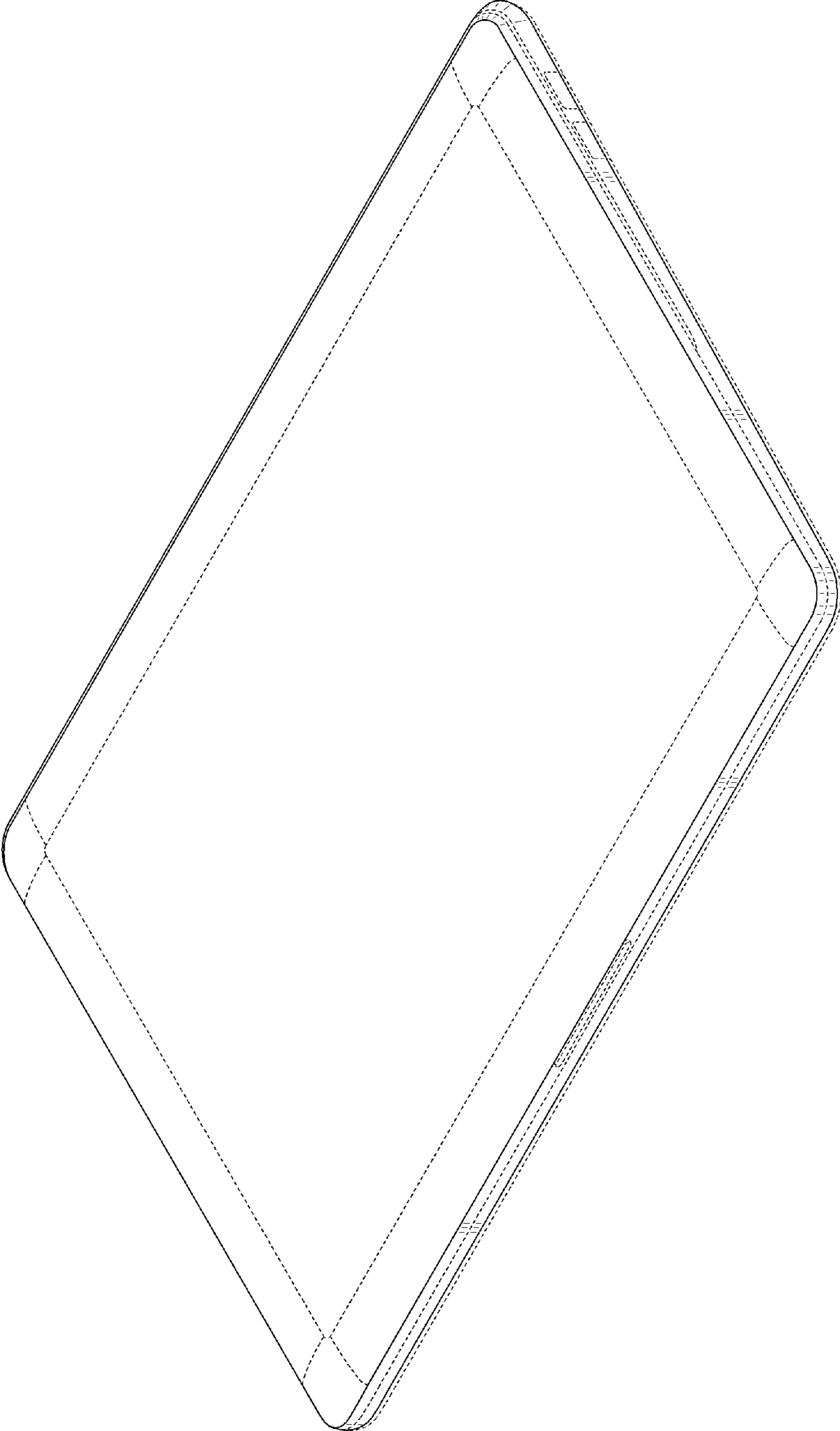


FIG. 2

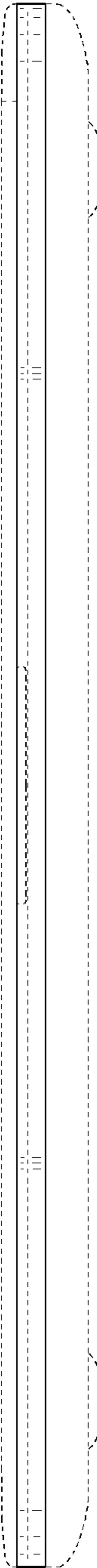


FIG. 3

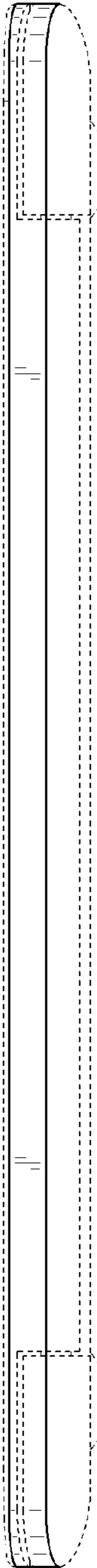


FIG. 4



FIG. 5

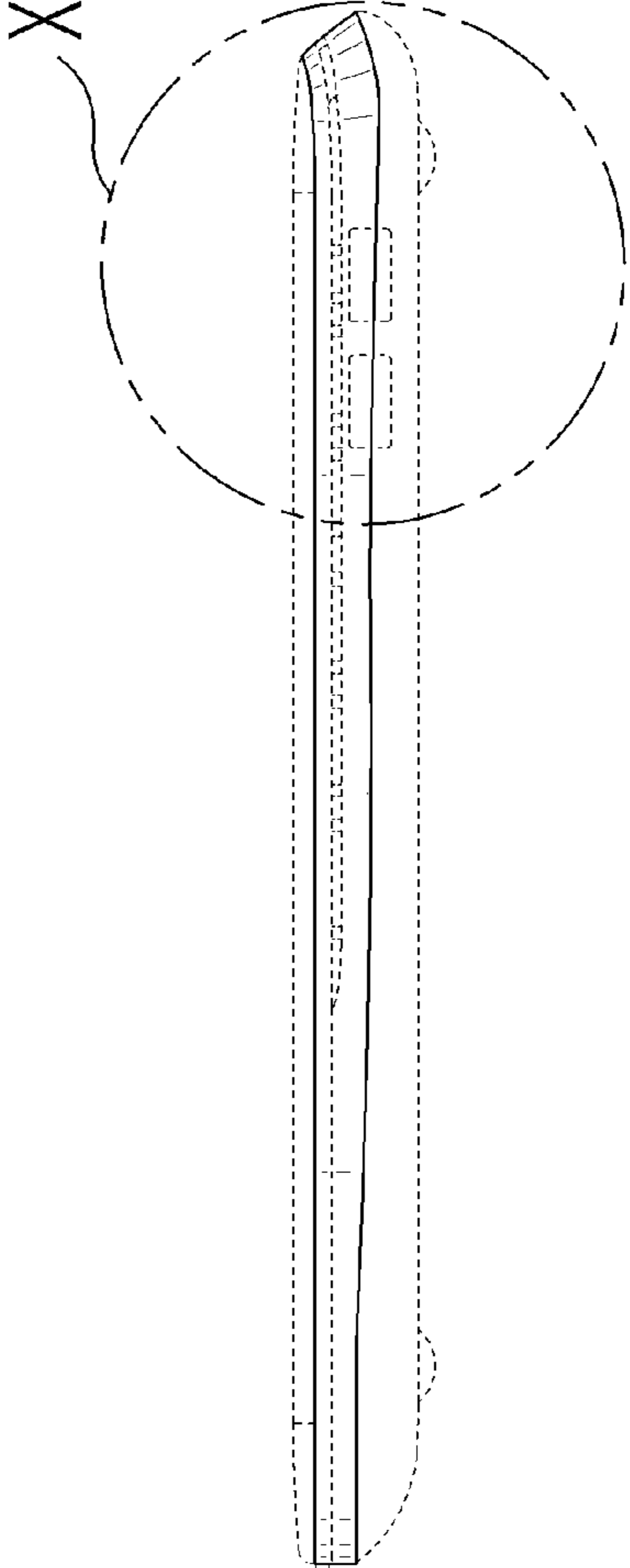


FIG. 6

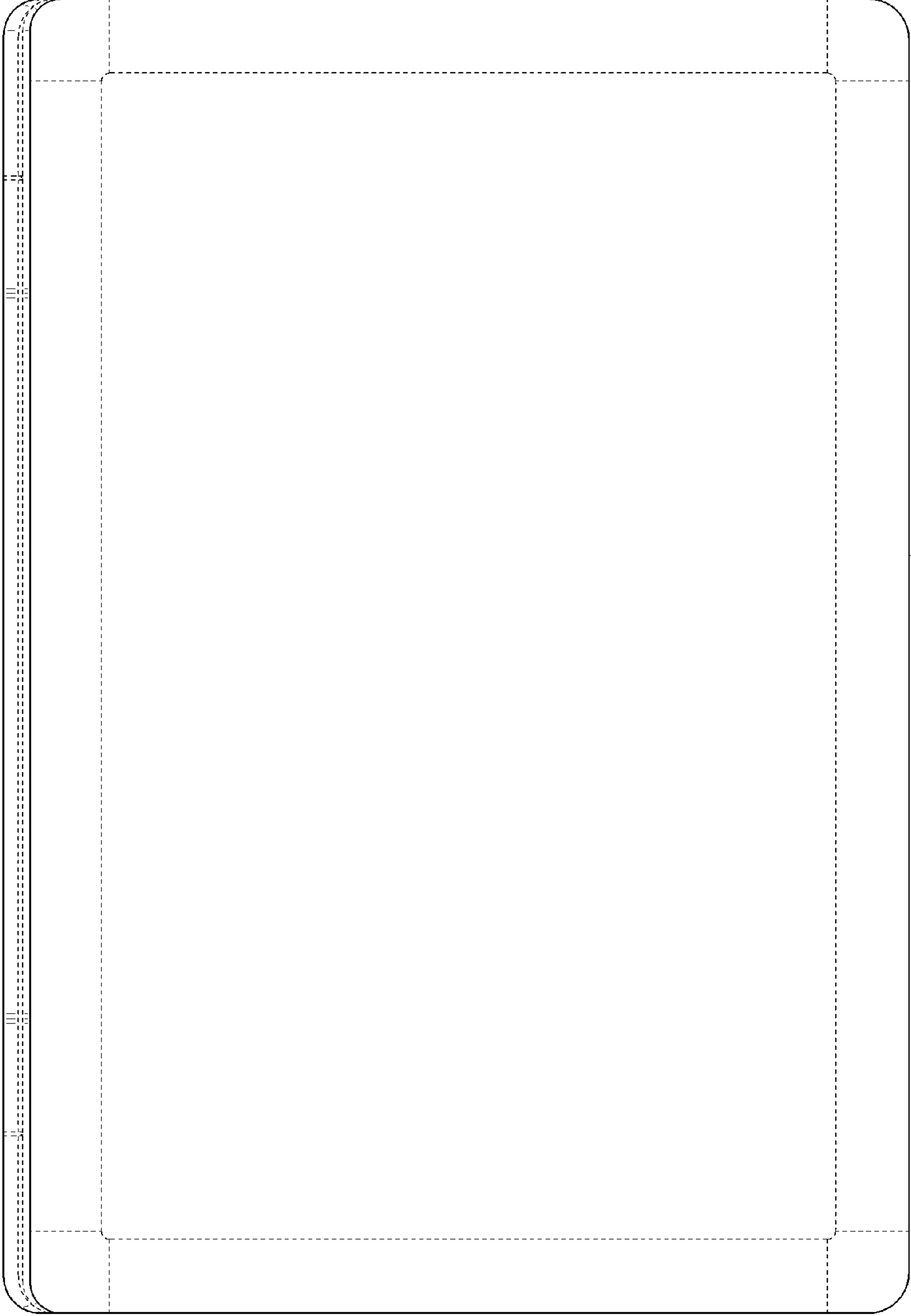


FIG. 7

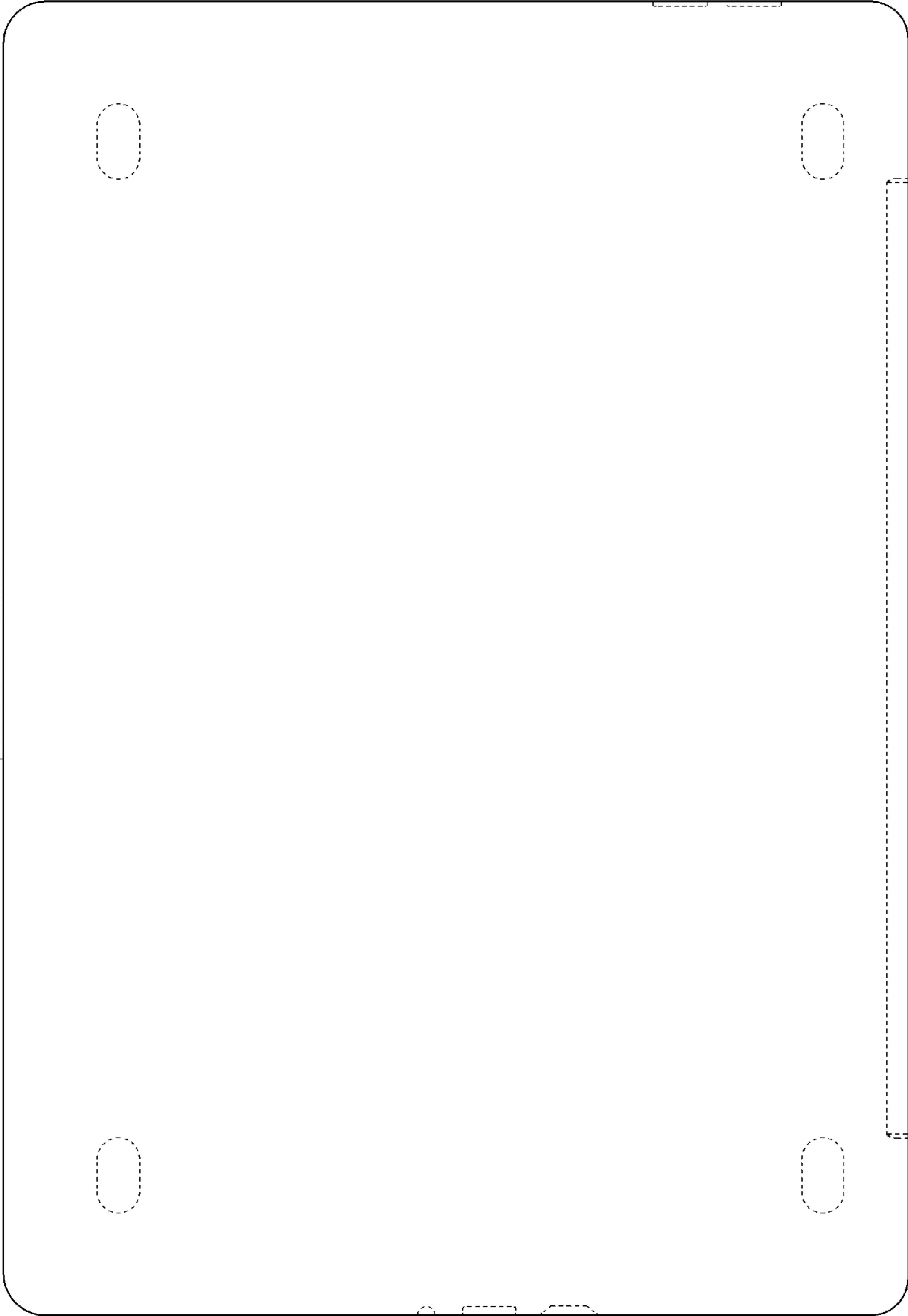


FIG. 8

