



US00D719560S

(12) **United States Design Patent**
Fiore, IV

(10) **Patent No.:** **US D719,560 S**

(45) **Date of Patent:** **** Dec. 16, 2014**

(54) **AUTO STEREO MOUNTING DEVICE**

(71) Applicant: **Anthony Fiore, IV**, Palm Coast, FL
(US)

(72) Inventor: **Anthony Fiore, IV**, Palm Coast, FL
(US)

(73) Assignee: **Metra Electronics Corporation**, Holly Hill, FL (US)

(**) Term: **14 Years**

(21) Appl. No.: **29/433,607**

(22) Filed: **Oct. 2, 2012**

(51) **LOC (10) Cl.** **14-03**

(52) **U.S. Cl.**
USPC **D14/258**

(58) **Field of Classification Search**
USPC D12/192, 195, 415, 420; D13/162, 164,
D13/177, 184; D14/157, 167, 168, 188,
D14/191-198, 217, 224, 257, 258, 260.1,
D14/445; 248/27.1, 27.3, 558; 360/4;
369/75.11; 455/344, 347, 350, 575.1;
720/658, 691

See application file for complete search history.

(56) **References Cited**

U.S. PATENT DOCUMENTS

D581,408 S * 11/2008 Fiore, IV D14/258
D602,013 S * 10/2009 Quilling, II D14/258

D602,483 S * 10/2009 Fiore, IV D14/258
D602,930 S * 10/2009 Quilling, II D14/258
D618,182 S * 6/2010 Stiles et al. D13/164
D639,287 S * 6/2011 Quilling et al. D14/258
D639,291 S * 6/2011 Quilling et al. D14/258
D639,793 S * 6/2011 Quilling et al. D14/258
8,142,030 B2 * 3/2012 Bowden et al. 353/82
D698,686 S * 2/2014 Saikawa et al. D10/108
2009/0024275 A1 * 1/2009 Hayes et al. 701/36

* cited by examiner

Primary Examiner — Stella Reid

Assistant Examiner — Janice Lim

(74) *Attorney, Agent, or Firm* — J. Wiley Horton

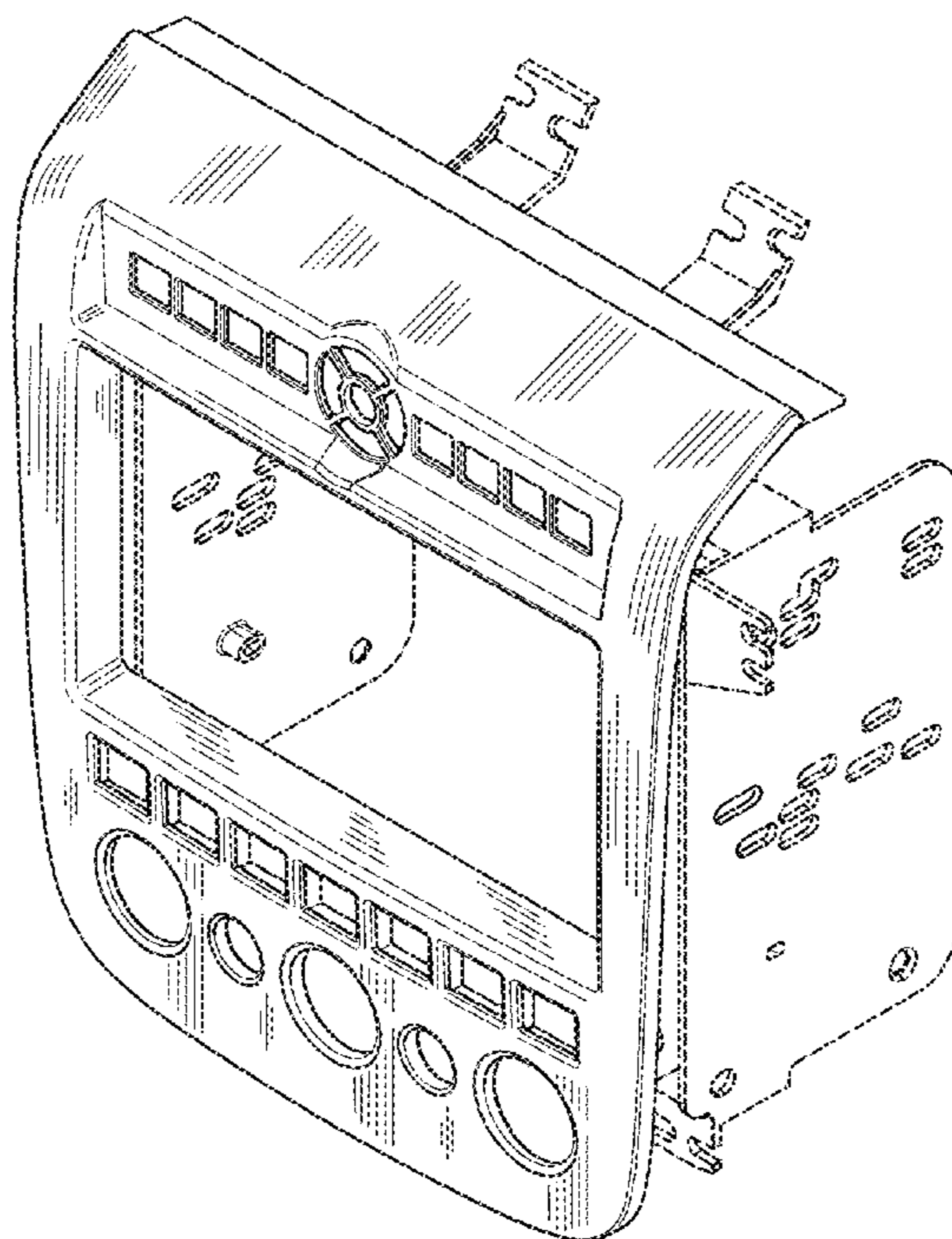
(57) **CLAIM**

The ornamental design for an “auto stereo mounting device,” as shown and described.

DESCRIPTION

FIG. 1 is a perspective view of an auto stereo mounting device, showing my design;
FIG. 2 is a front elevation view of FIG. 1;
FIG. 3 is a rear elevation view of FIG. 1;
FIG. 4 is a right side elevation view of FIG. 1;
FIG. 5 is a left side elevation view of FIG. 1;
FIG. 6 is a top plan view of FIG. 1; and,
FIG. 7 is a bottom plan view of FIG. 1.
The broken lines shown in all views illustrate mounting features which form no part of the claimed design.

1 Claim, 7 Drawing Sheets



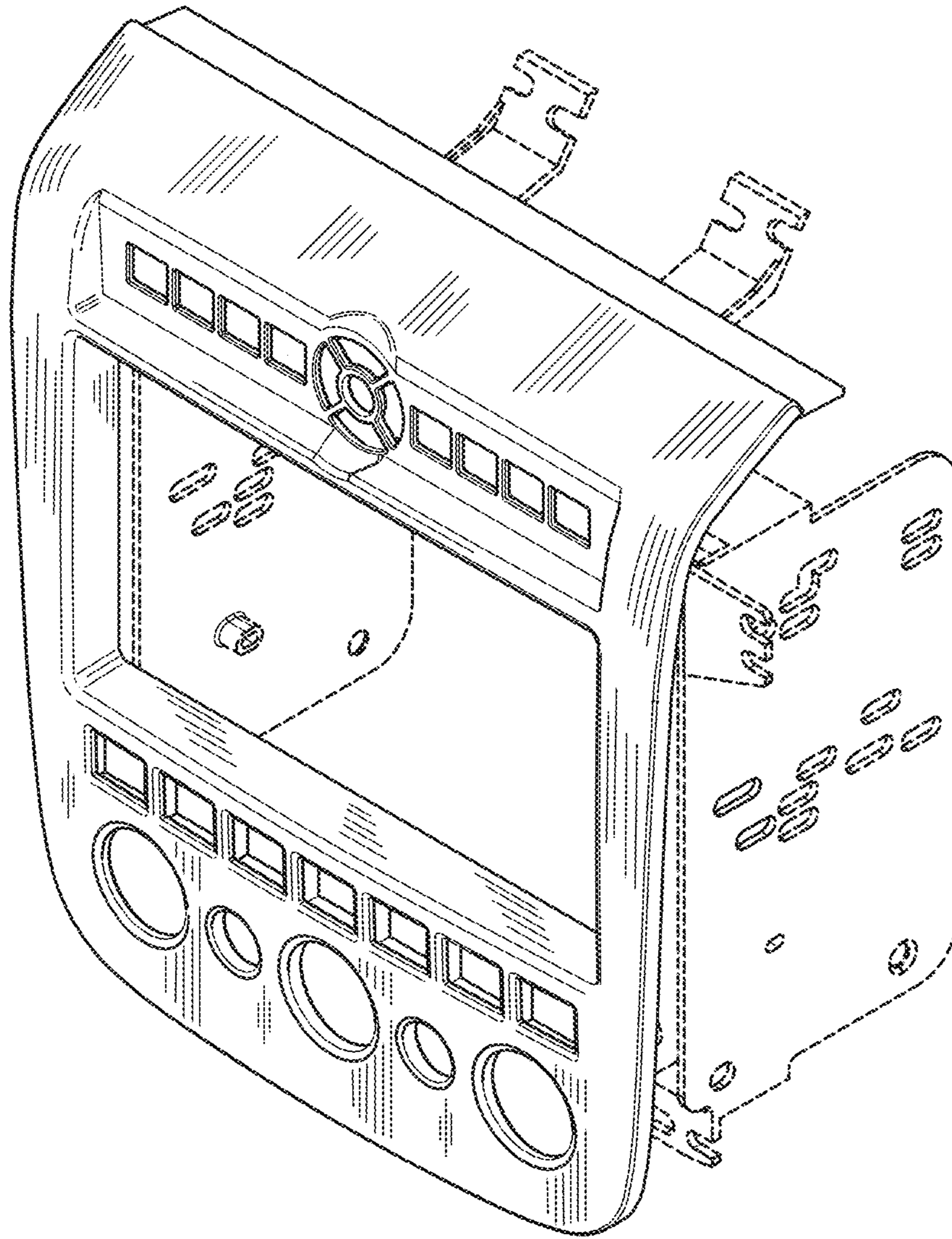


FIG. 1

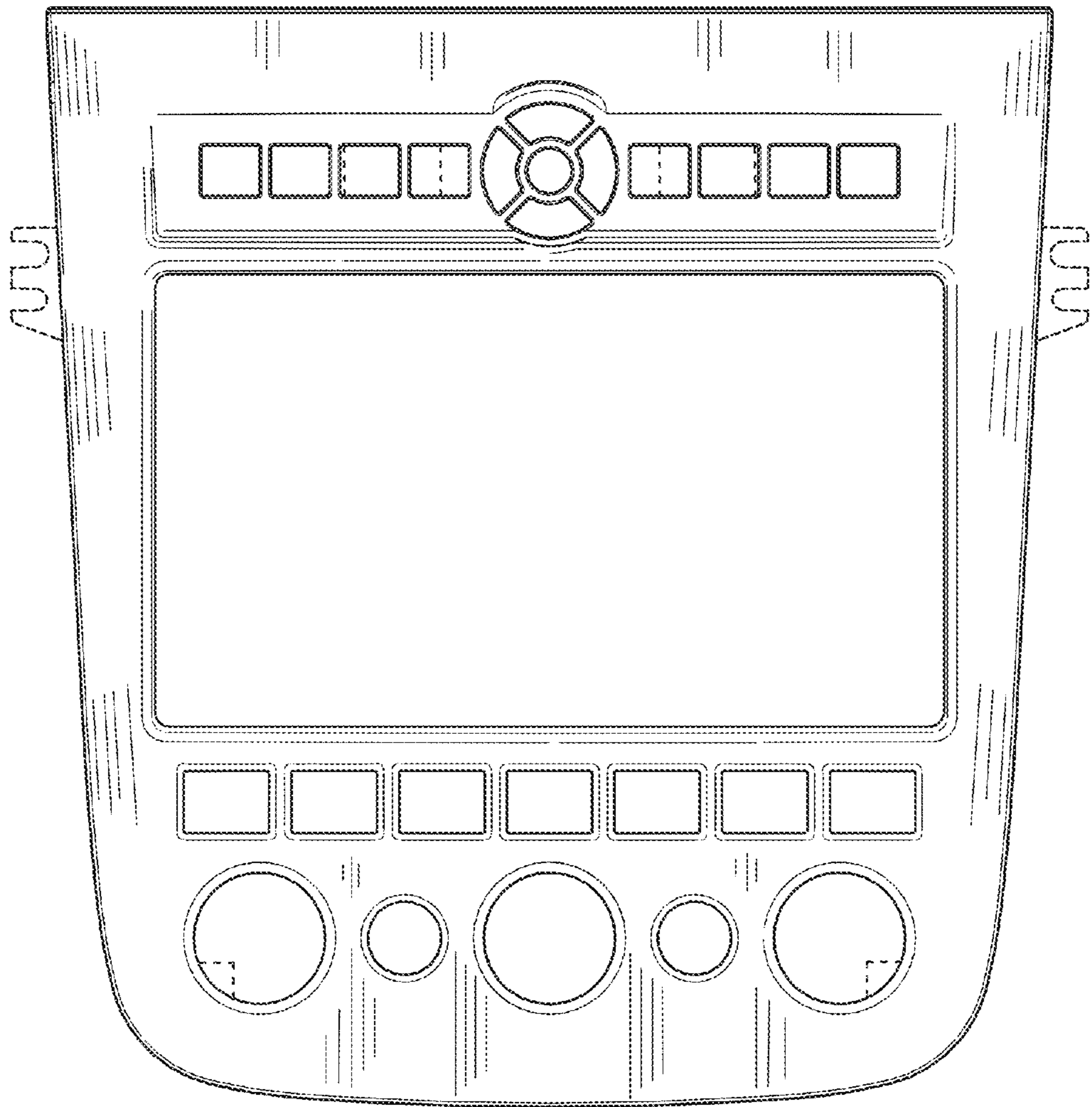


FIG. 2

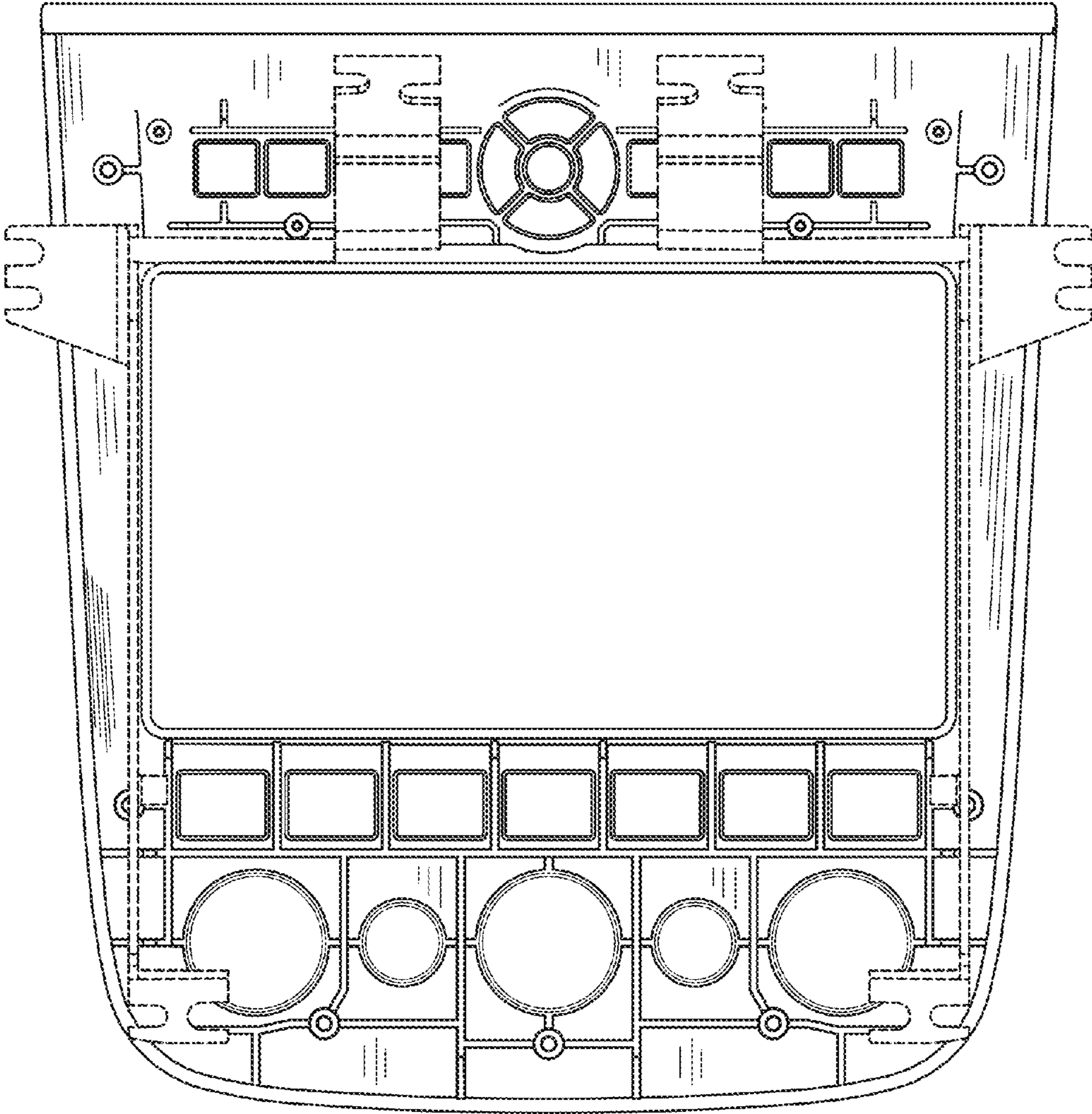


FIG.3

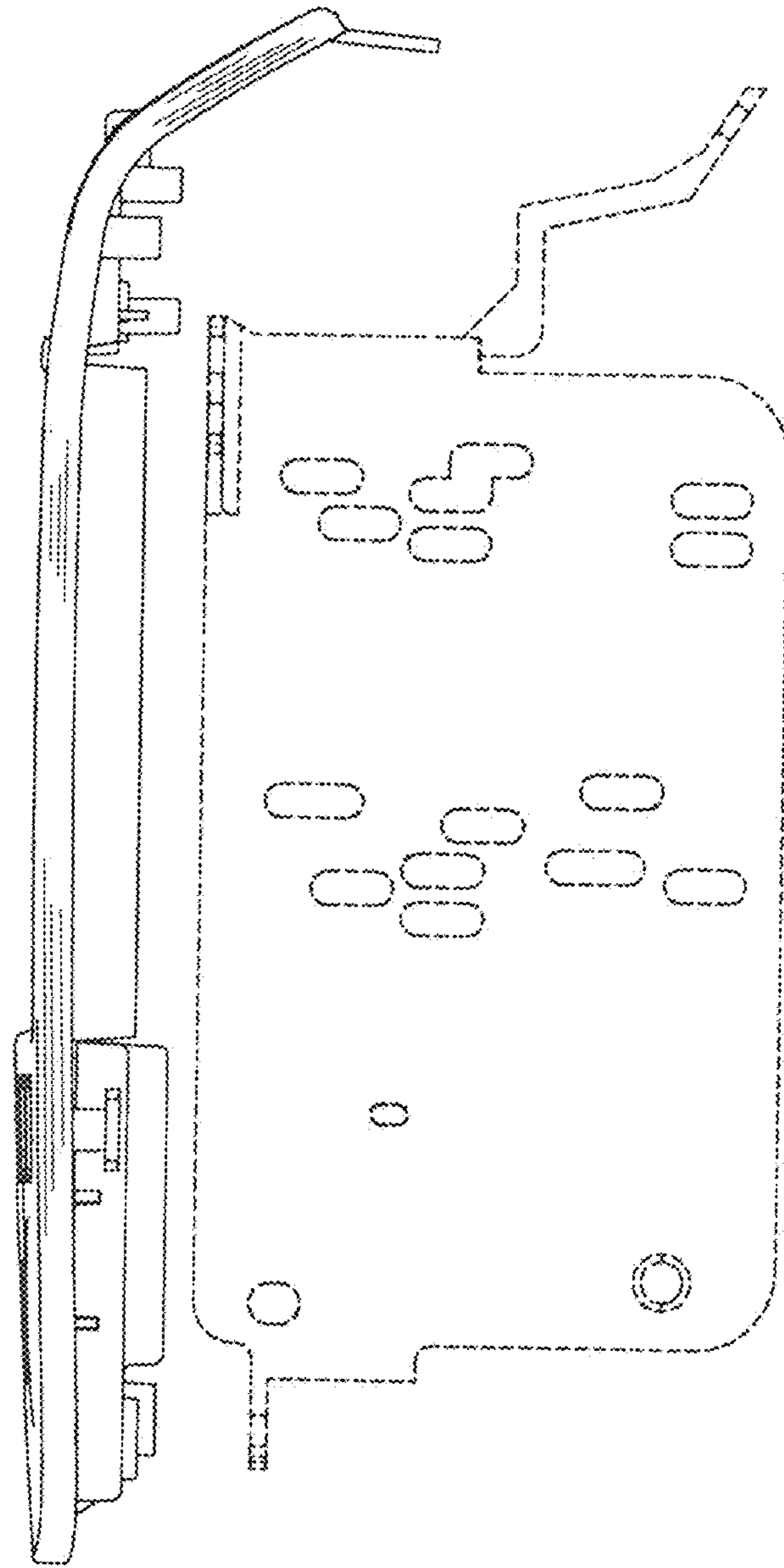


FIG.4

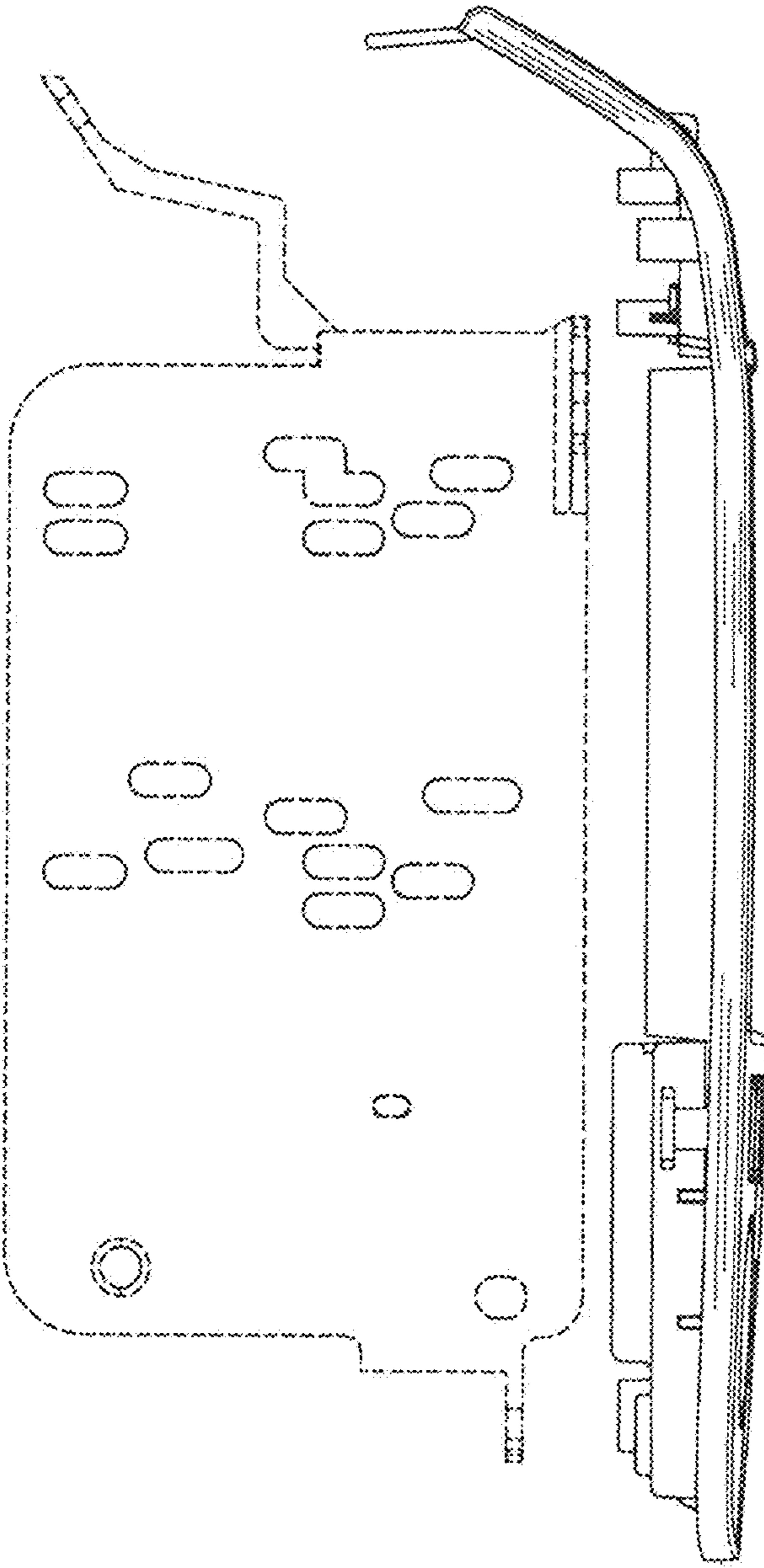


FIG.5

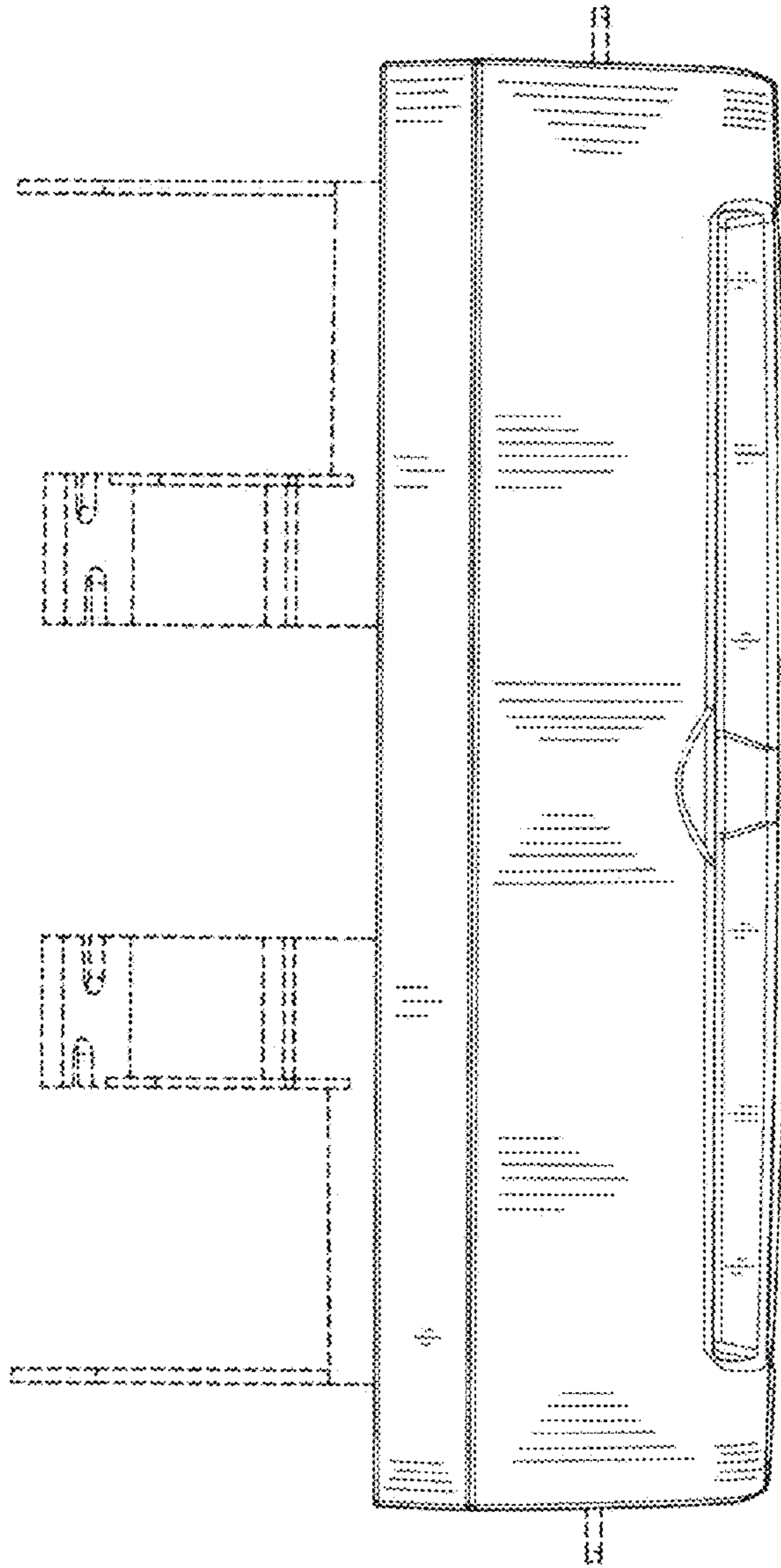


FIG. 6

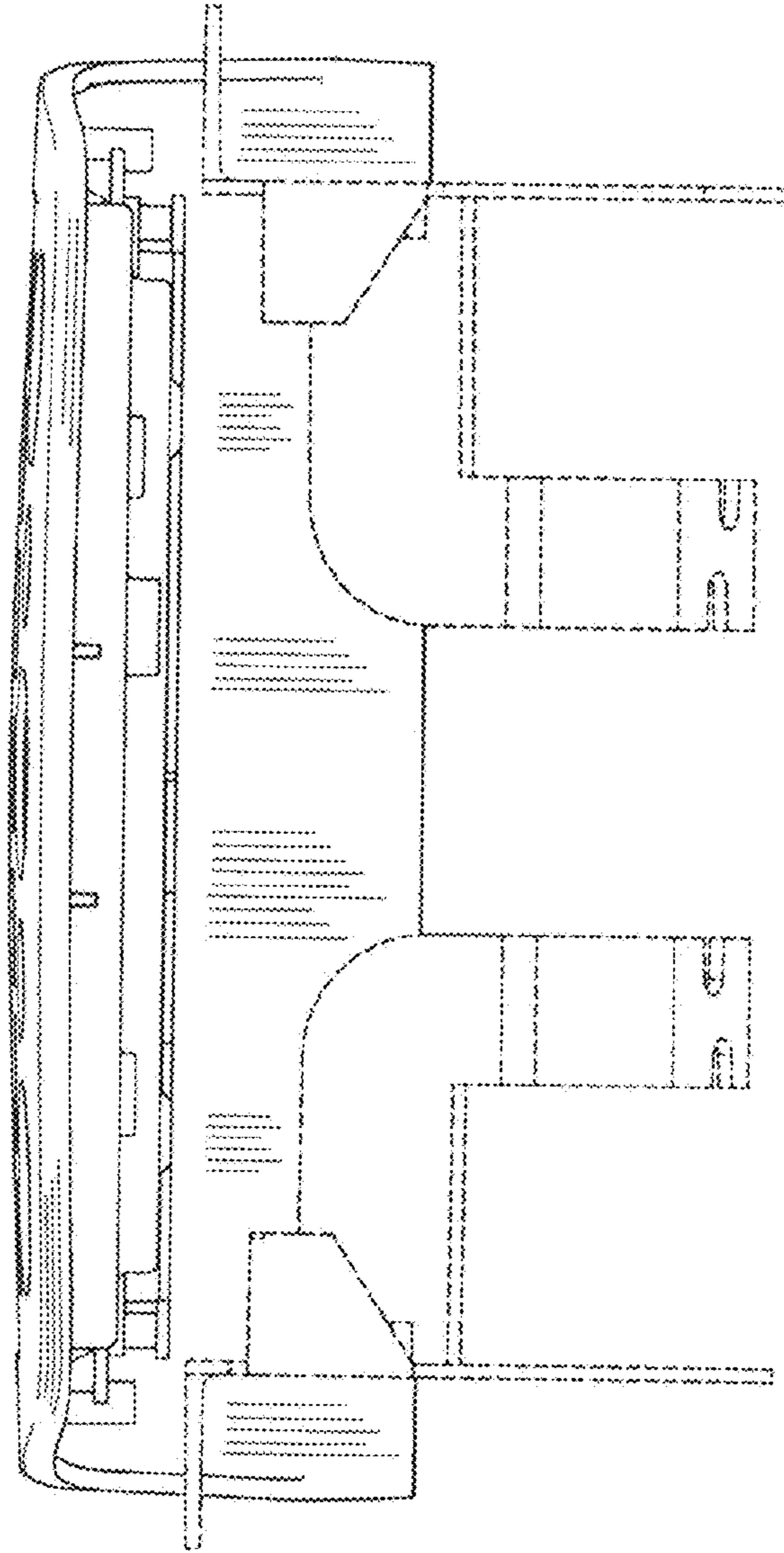


FIG. 7