



US00D719559S

(12) **United States Design Patent**
Dukerschein et al.

(10) **Patent No.:** **US D719,559 S**

(45) **Date of Patent:** **** Dec. 16, 2014**

(54) **CASE**

(71) Applicant: **Speculative Product Design, LLC**,
Mountain View, CA (US)

(72) Inventors: **Jon Dukerschein**, San Francisco, CA
(US); **Bryan Lee Hynceck**, Redwood
City, CA (US); **Jordan Robert**
Fountain, Millbrae, CA (US)

(73) Assignee: **Speculative Product Design, LLC**,
Mountain View, CA (US)

(**) Term: **14 Years**

(21) Appl. No.: **29/443,528**

(22) Filed: **Jan. 18, 2013**

(51) **LOC (10) Cl.** **14-03**

(52) **U.S. Cl.**
USPC **D14/250**

(58) **Field of Classification Search**
USPC D14/250, 137, 138 AA, 217, 238.1, 248,
D14/251, 252, 253, 346, 440, 496, 356;
D13/107, 108; 455/575.1, 575.8, 95,
455/93; 220/4.02; 206/305, 320, 251, 45.2
See application file for complete search history.

(56) **References Cited**

U.S. PATENT DOCUMENTS

D655,281	S	*	3/2012	Turocy	D14/250
D662,923	S	*	7/2012	Piedra et al.	D14/250
D669,458	S	*	10/2012	Wilson et al.	D14/250
D673,554	S	*	1/2013	Simmer	D14/250
D679,699	S	*	4/2013	Piedra et al.	D14/250
D680,107	S	*	4/2013	Piedra et al.	D14/250
8,509,865	B1	*	8/2013	LaColla et al.	455/575.8

D700,598	S	*	3/2014	Kim	D14/250
8,718,730	B1	*	5/2014	LaColla et al.	455/575.8
2010/0203931	A1	*	8/2010	Hynceck et al.	455/575.8

(Continued)

FOREIGN PATENT DOCUMENTS

CN	1306700	8/2001
KR	10-2008-0050555	6/2008

OTHER PUBLICATIONS

Office Action issued in corresponding Chinese application No. 201080006846.6 dated Apr. 25, 2013 and the English Translation.

Primary Examiner — Deanna L Pratt

Assistant Examiner — Lilyana Bekic

(74) *Attorney, Agent, or Firm* — Frommer Lawrence & Haug LLP

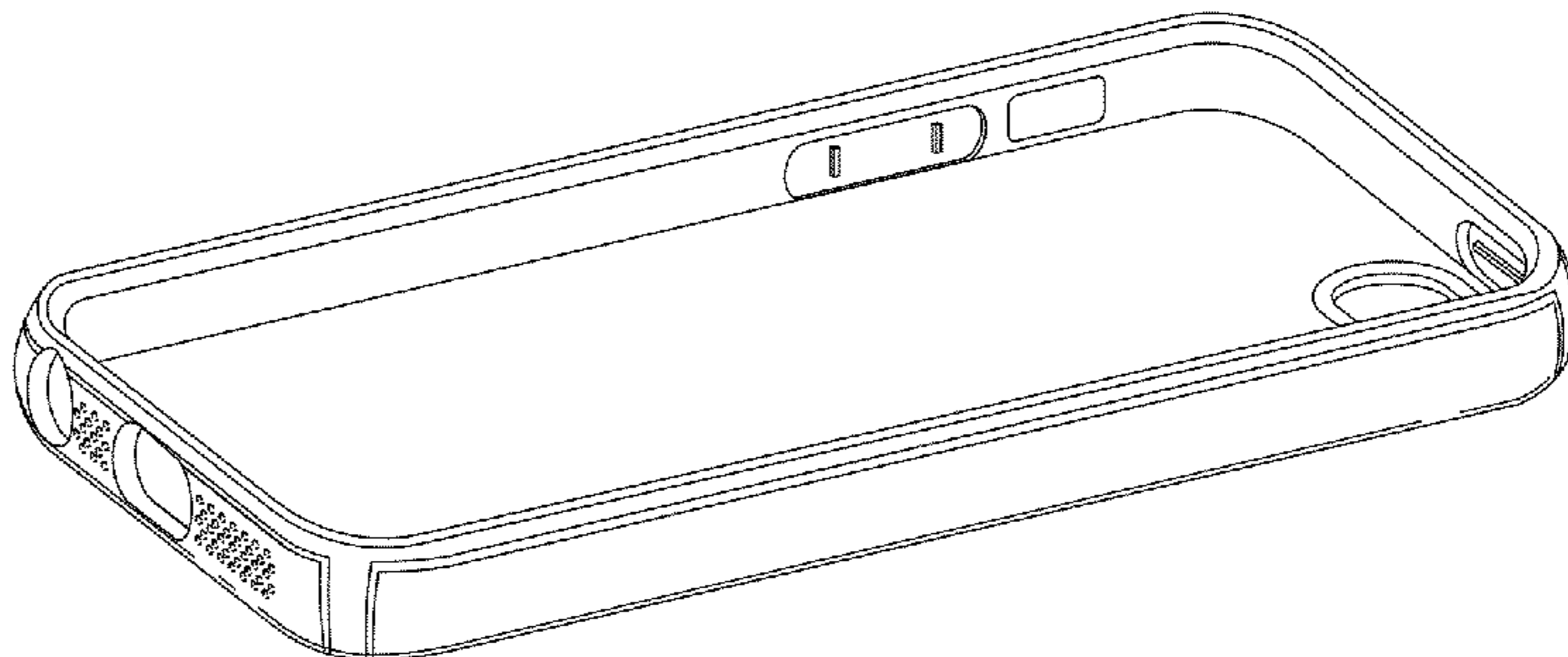
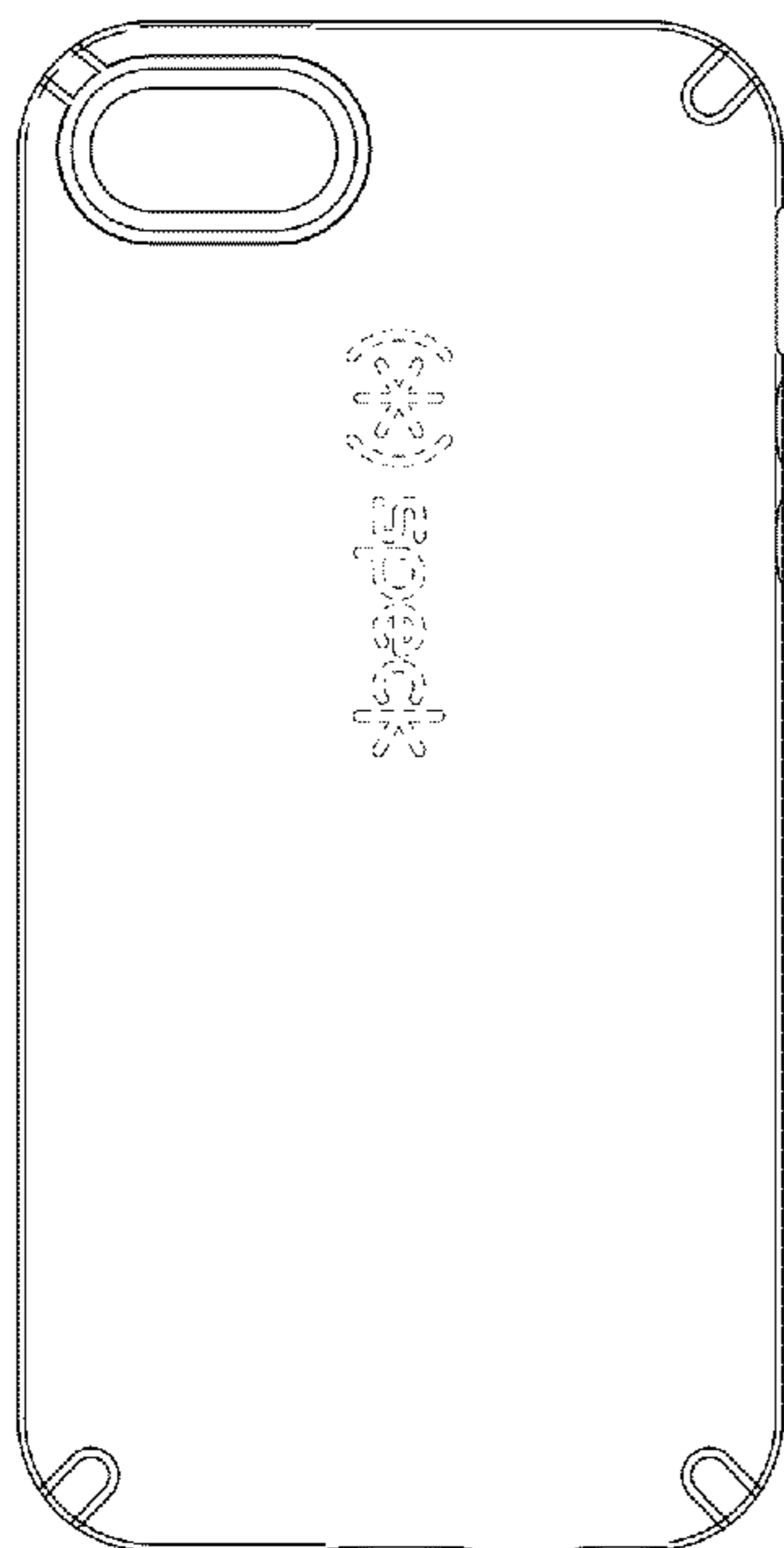
(57) **CLAIM**

The ornamental design for the case, as shown and described.

DESCRIPTION

FIG. 1 is a view of the front of the case;
FIG. 2 is a view of back of the case;
FIG. 3 is a view of the left side of the case;
FIG. 4 is a view of the right side of the case;
FIG. 5 is a view of the top of the case;
FIG. 6 is a view of the bottom of the case;
FIG. 7 is a perspective view of the inside of the case;
FIG. 8 is a perspective view of the back of the case;
FIG. 9 is another perspective view of the inside of the case;
and,
FIG. 10 is another perspective view of the back of the case.
The broken lines in the drawings illustrate portions of the case which form no part of the claimed design.

1 Claim, 3 Drawing Sheets



US D719,559 S

Page 2

(56)

References Cited

U.S. PATENT DOCUMENTS

2013/0045782 A1*	2/2013	Simmer	455/575.8
2014/0078671 A1*	3/2014	Hong	361/679.56
2014/0110275 A1*	4/2014	Wu et al.	206/37
2012/0103844 A1*	5/2012	Piedra et al.	206/320

* cited by examiner

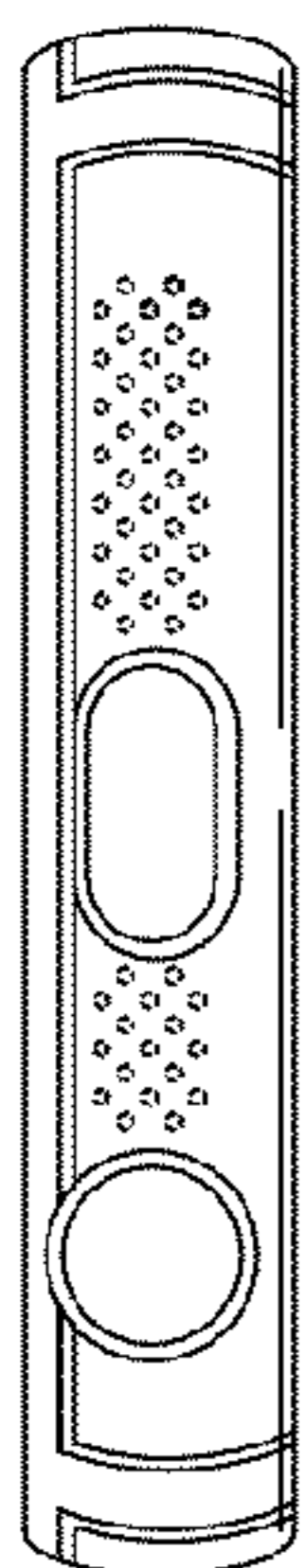


FIG. 6

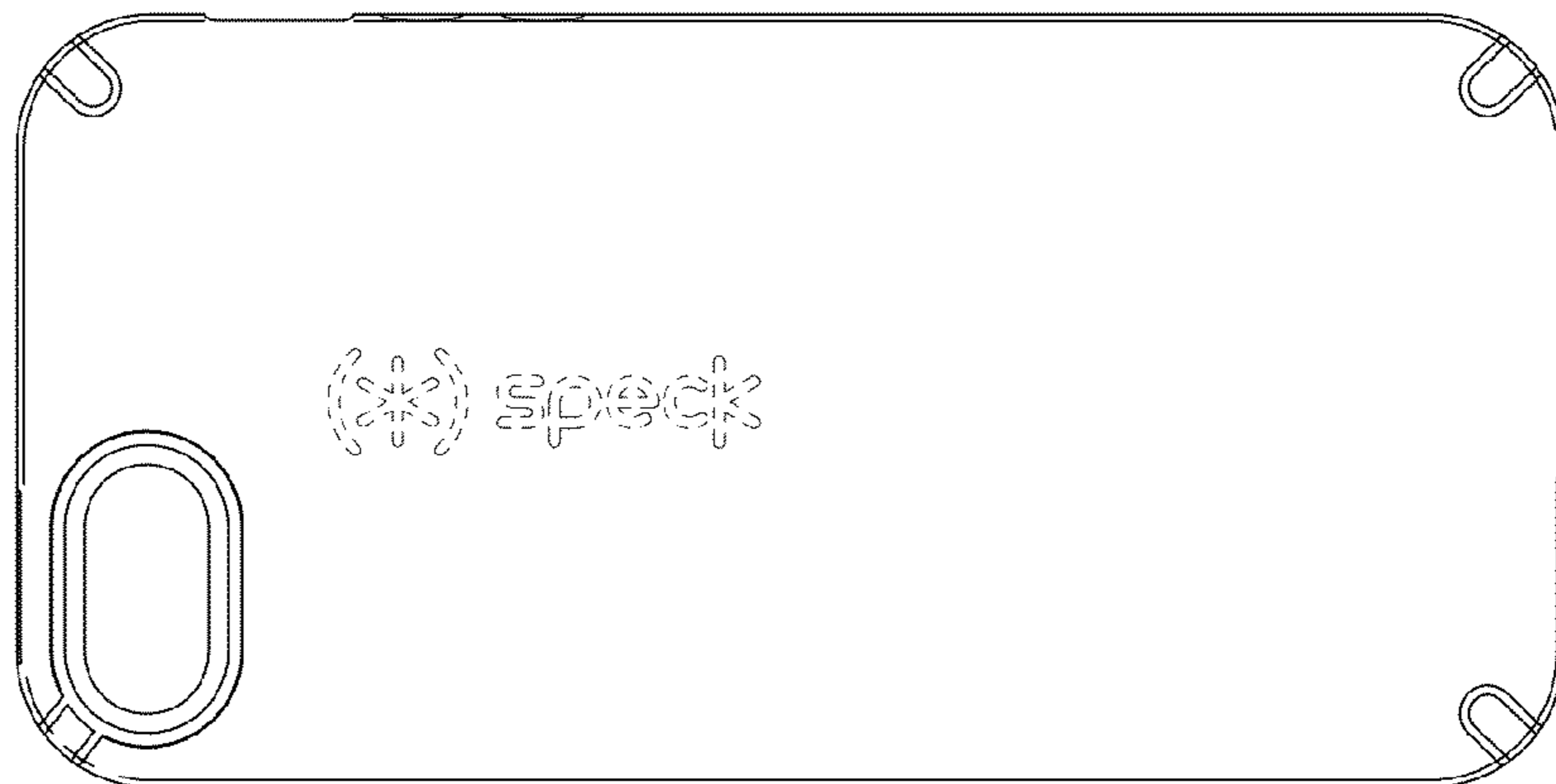


FIG. 2

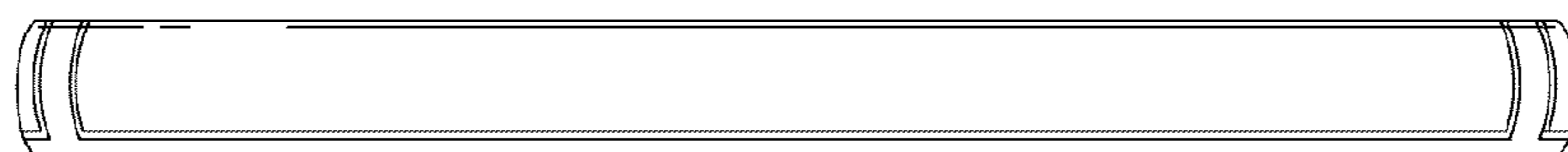


FIG. 4

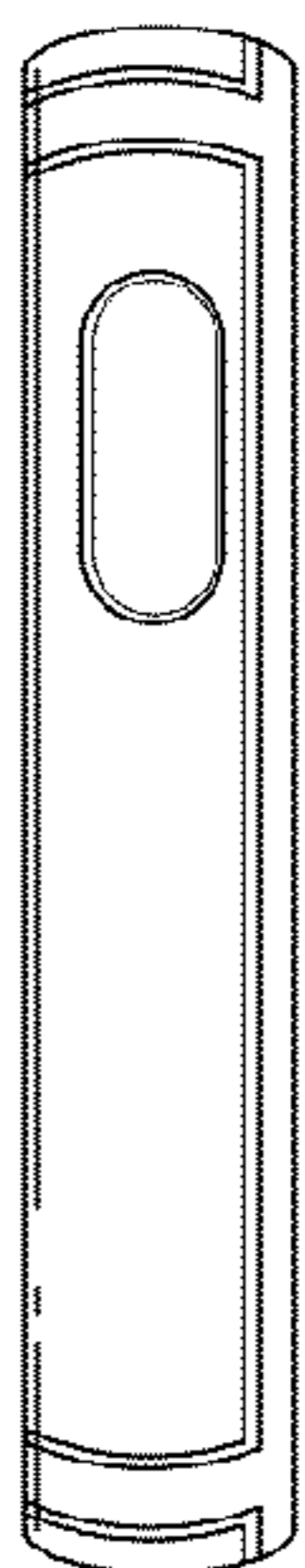


FIG. 5

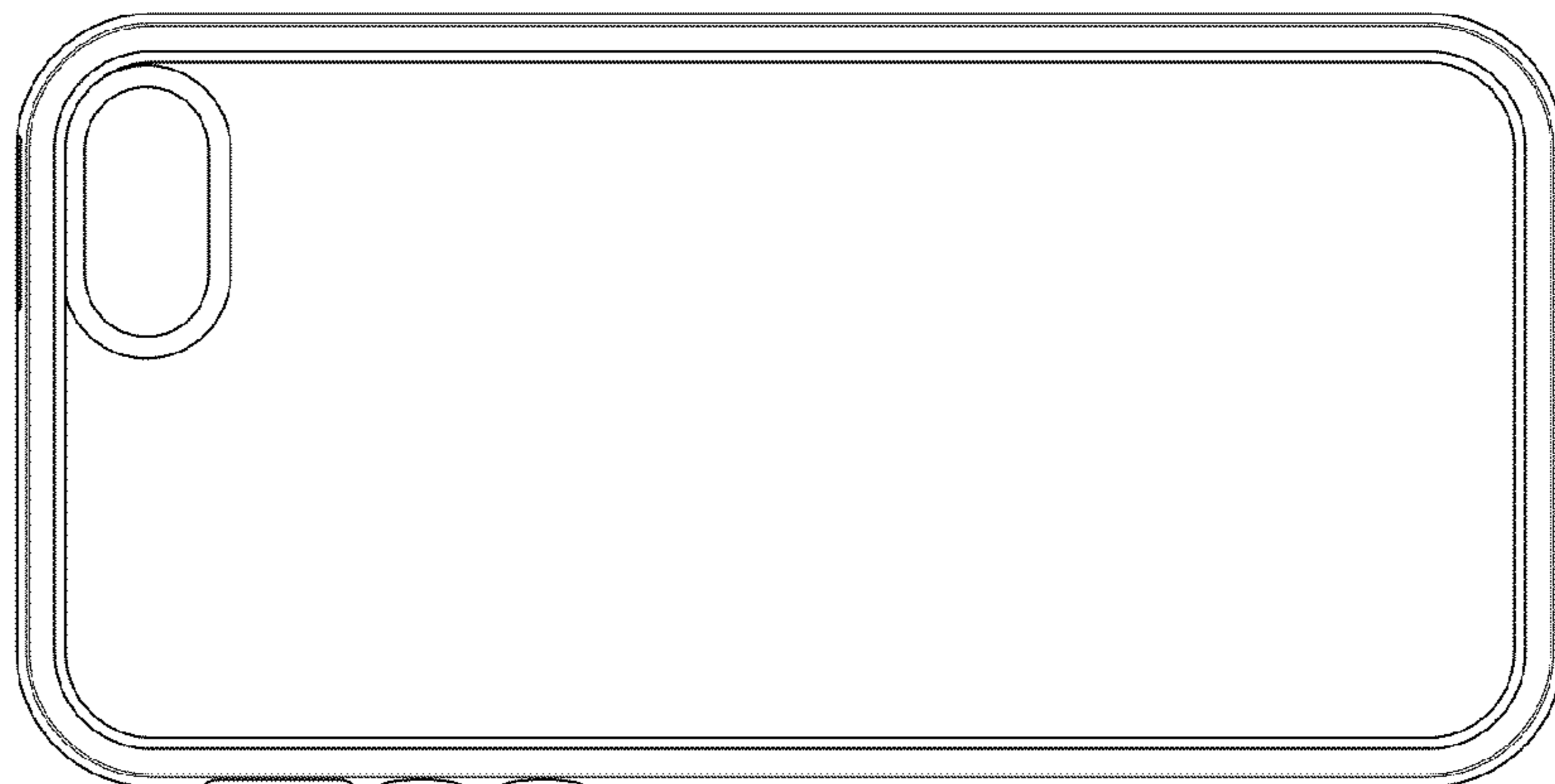


FIG. 1

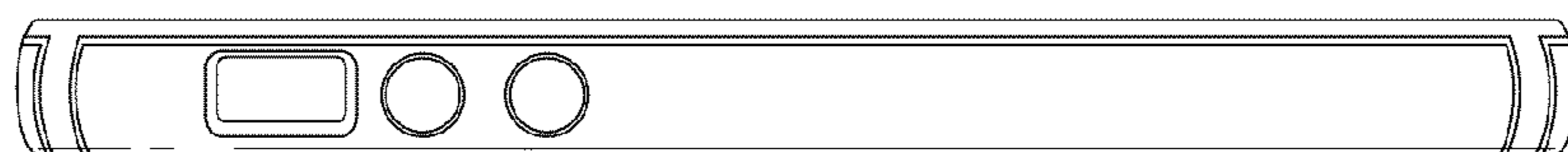


FIG. 3

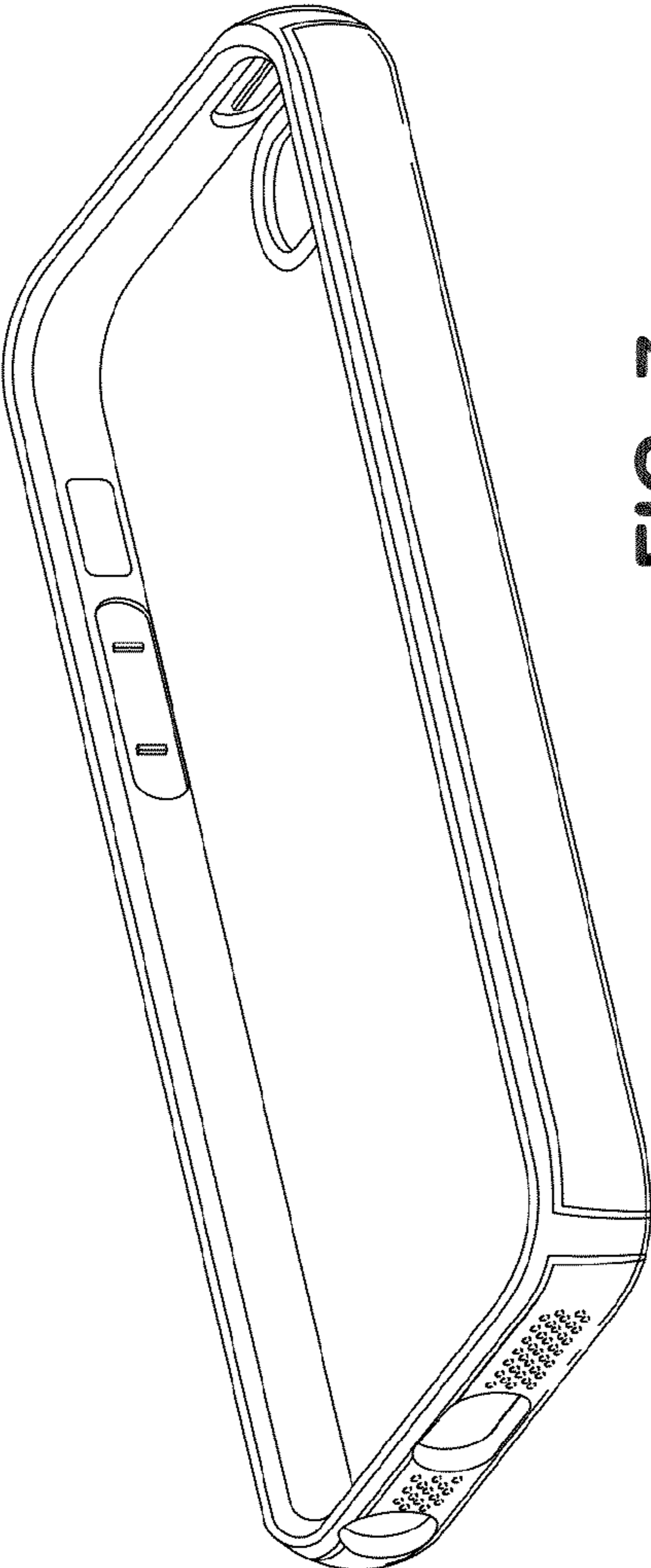


FIG. 7

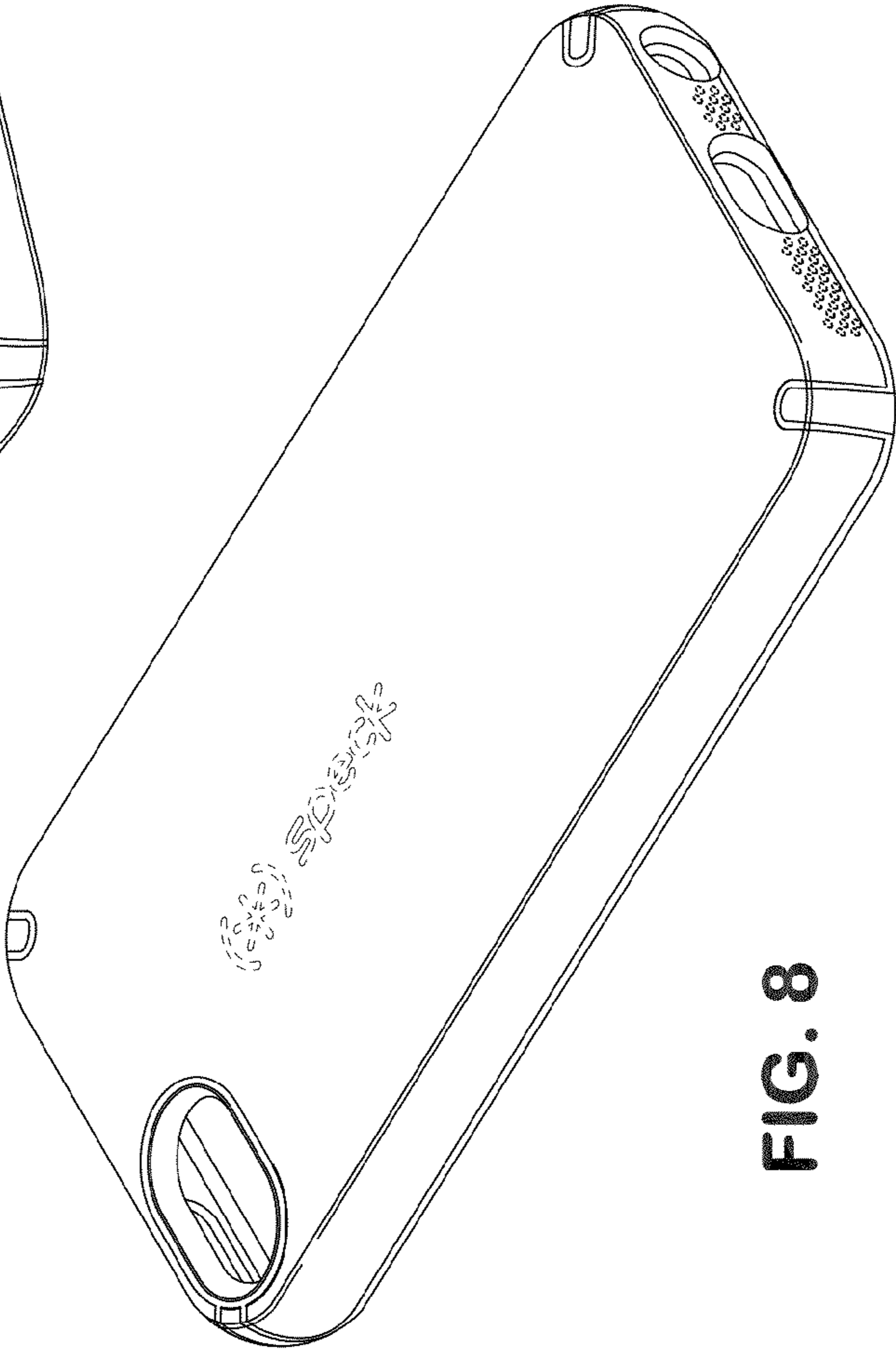


FIG. 8

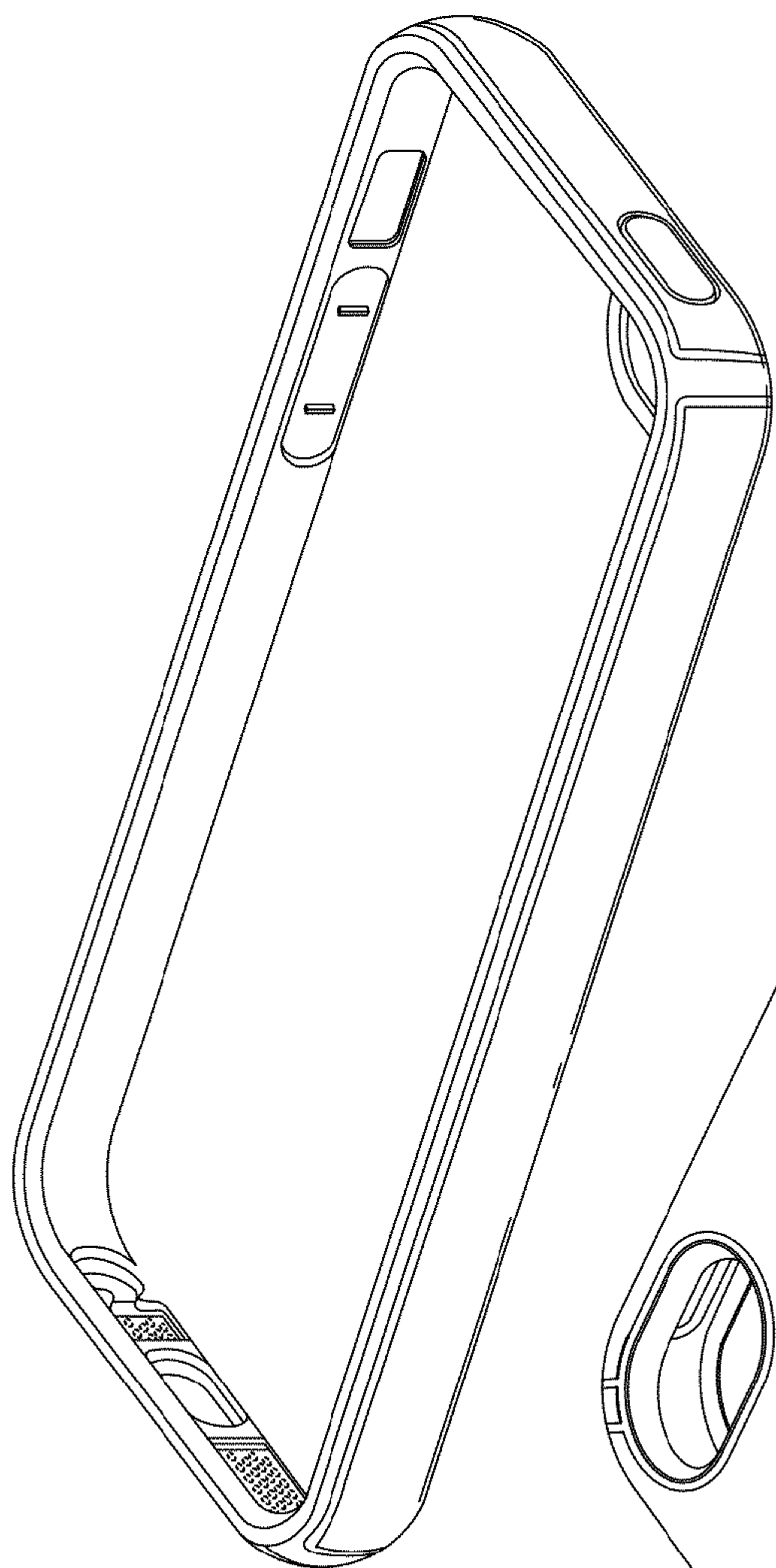


FIG. 9

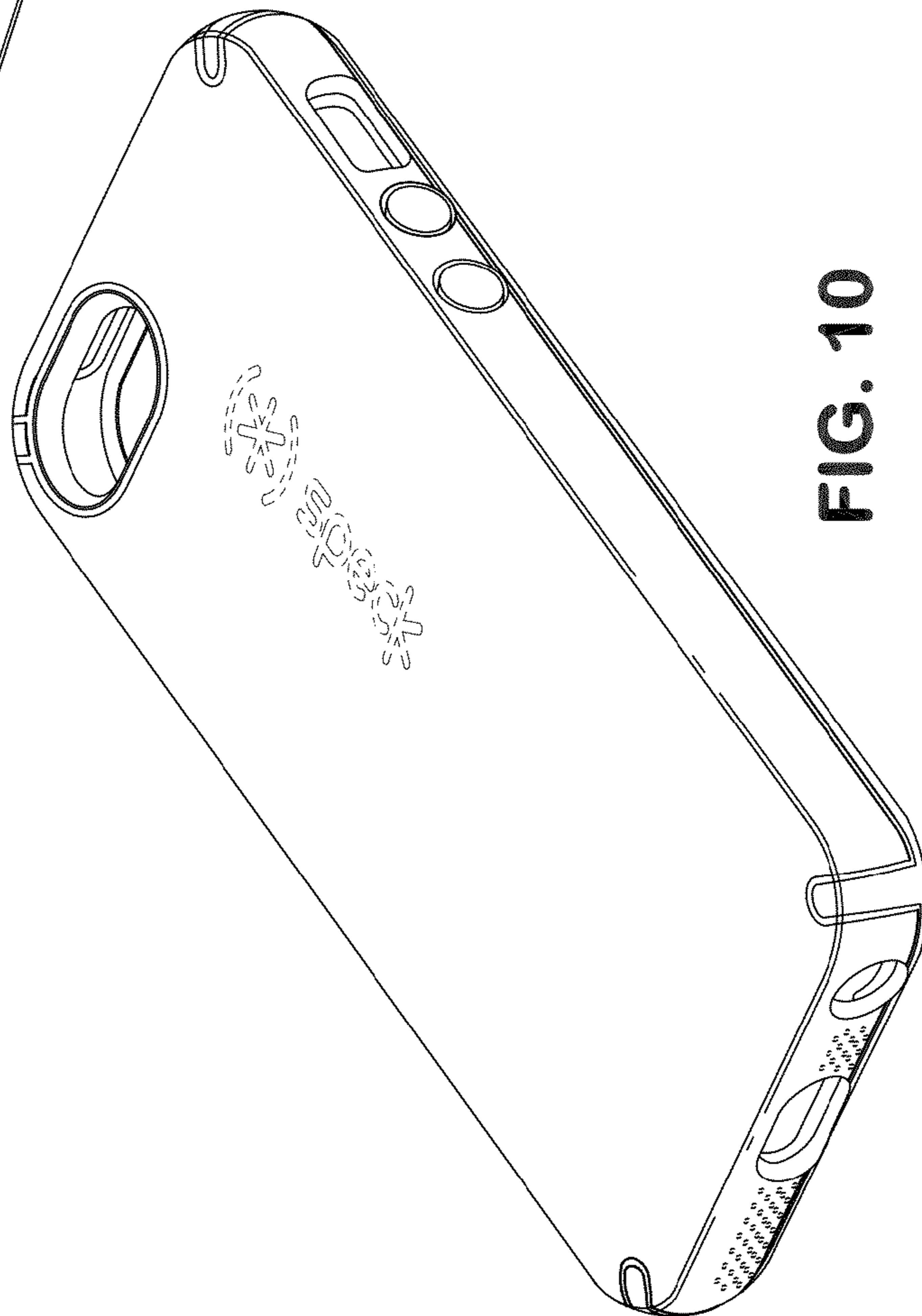


FIG. 10