



US00D719555S

(12) **United States Design Patent**
Yoon et al.

(10) **Patent No.:** **US D719,555 S**

(45) **Date of Patent:** **** Dec. 16, 2014**

(54) **TELEVISION RECEIVER**

(56) **References Cited**

(71) Applicant: **LG Electronics Inc.**, Seoul (KR)

U.S. PATENT DOCUMENTS

(72) Inventors: **Sangwon Yoon**, Seoul (KR); **Chul Lee**,
Gyeonggi-do (KR)

6,625,289	B1 *	9/2003	Oliemuller	381/182
D552,074	S *	10/2007	Aquillano et al.	D14/168
D625,289	S *	10/2010	Hao et al.	D14/209.1
D640,668	S *	6/2011	Chern	D14/214
8,023,672	B2 *	9/2011	Hsu	381/300
D660,285	S *	5/2012	Lee et al.	D14/214
D683,718	S *	6/2013	Brunner et al.	D14/209.1
D688,228	S *	8/2013	Ryu et al.	D14/209.1

(73) Assignee: **LG Electronics Inc.**, Seoul (KR)

(**) Term: **14 Years**

* cited by examiner

(21) Appl. No.: **29/473,613**

Primary Examiner — Randall Gholson

(22) Filed: **Nov. 25, 2013**

(74) *Attorney, Agent, or Firm* — Morgan, Lewis & Bockius
LLP

(30) **Foreign Application Priority Data**

(57) **CLAIM**

The ornamental design for a television receiver, as shown and described.

May 28, 2013 (KR) 30-2013-0027724

DESCRIPTION

(51) **LOC (10) Cl.** **14-03**

FIG. 1 is a perspective view of a television receiver showing our new design;

(52) **U.S. Cl.**

USPC **D14/239**

FIG. 2 is a front view thereof;

(58) **Field of Classification Search**

USPC D14/239, 125, 207, 209.1, 210–214,
D14/168, 194, 197–198, 171–172;
181/143–144, 147–148, 150–153, 157,
181/198–199; 381/300–303, 306, 332–333,
381/336, 345, 361–364, 386–388

FIG. 3 is a rear view thereof;

FIG. 4 is a left side view thereof where the right side view is a mirror image;

FIG. 5 is a top plan view thereof;

FIG. 6 is a bottom plan view thereof; and,

FIG. 7 is a rear perspective view thereof.

The broken lines show unclaimed subject matter only and form no part of the claimed design.

See application file for complete search history.

1 Claim, 6 Drawing Sheets

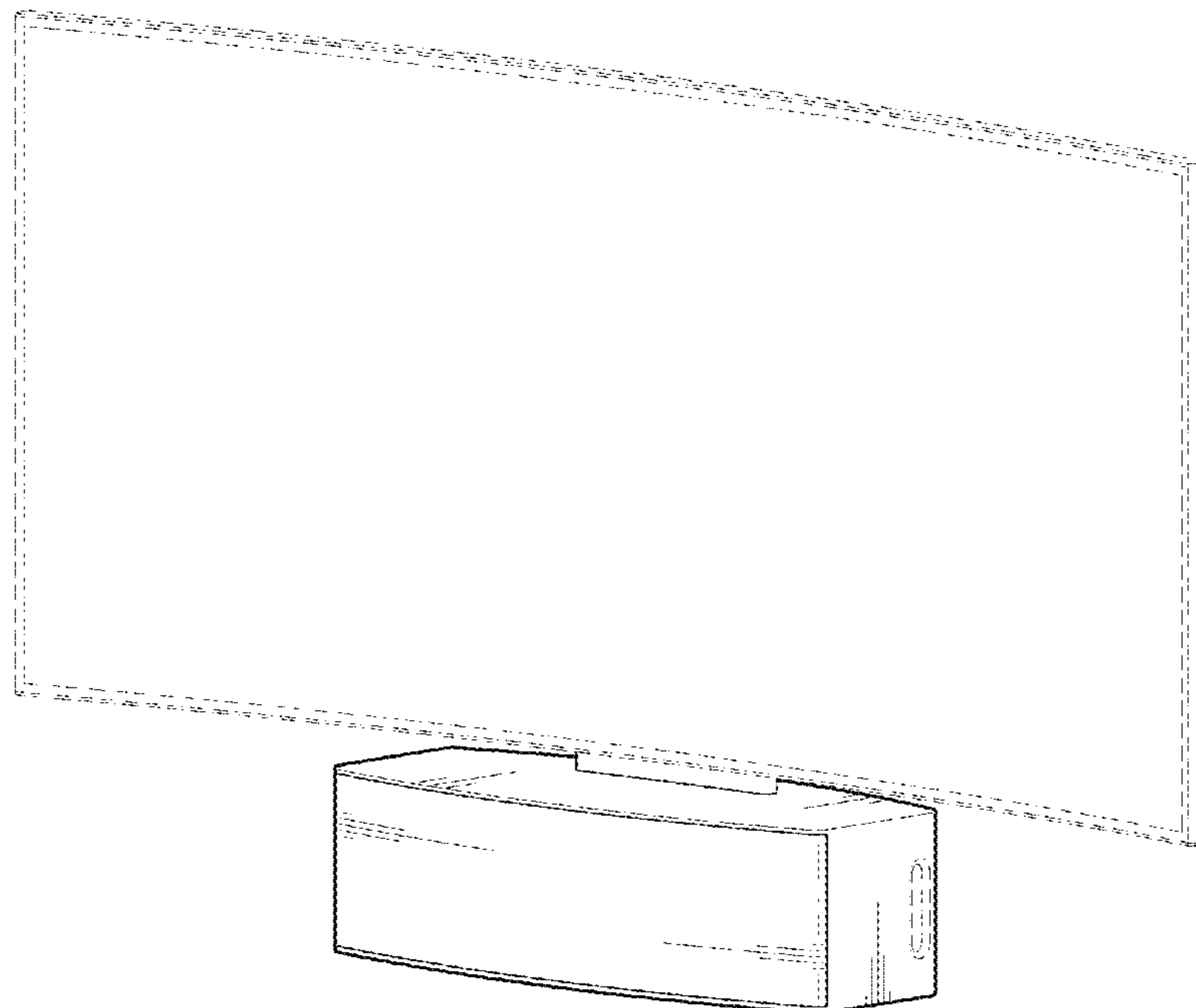


FIG. 1

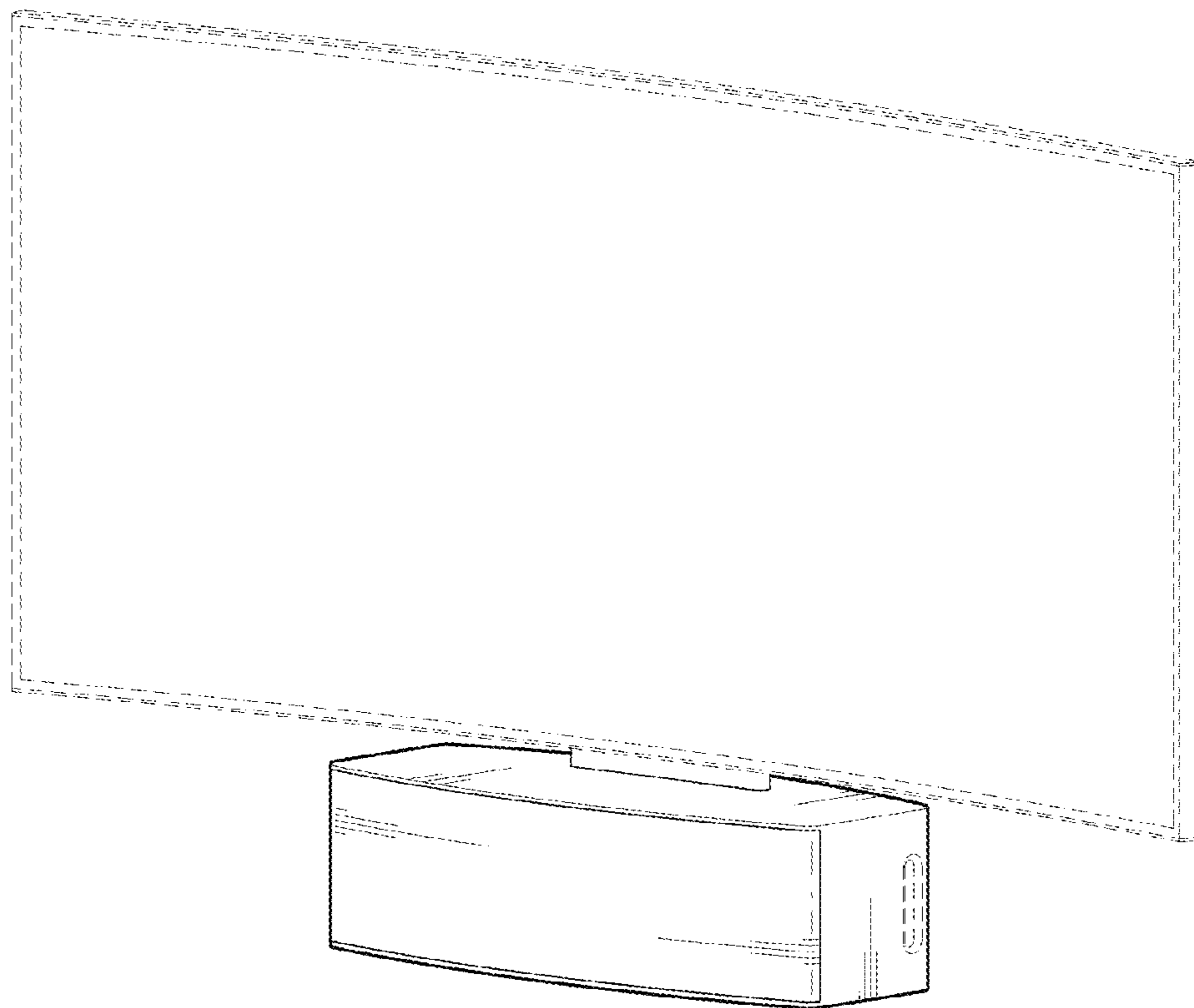


FIG. 2

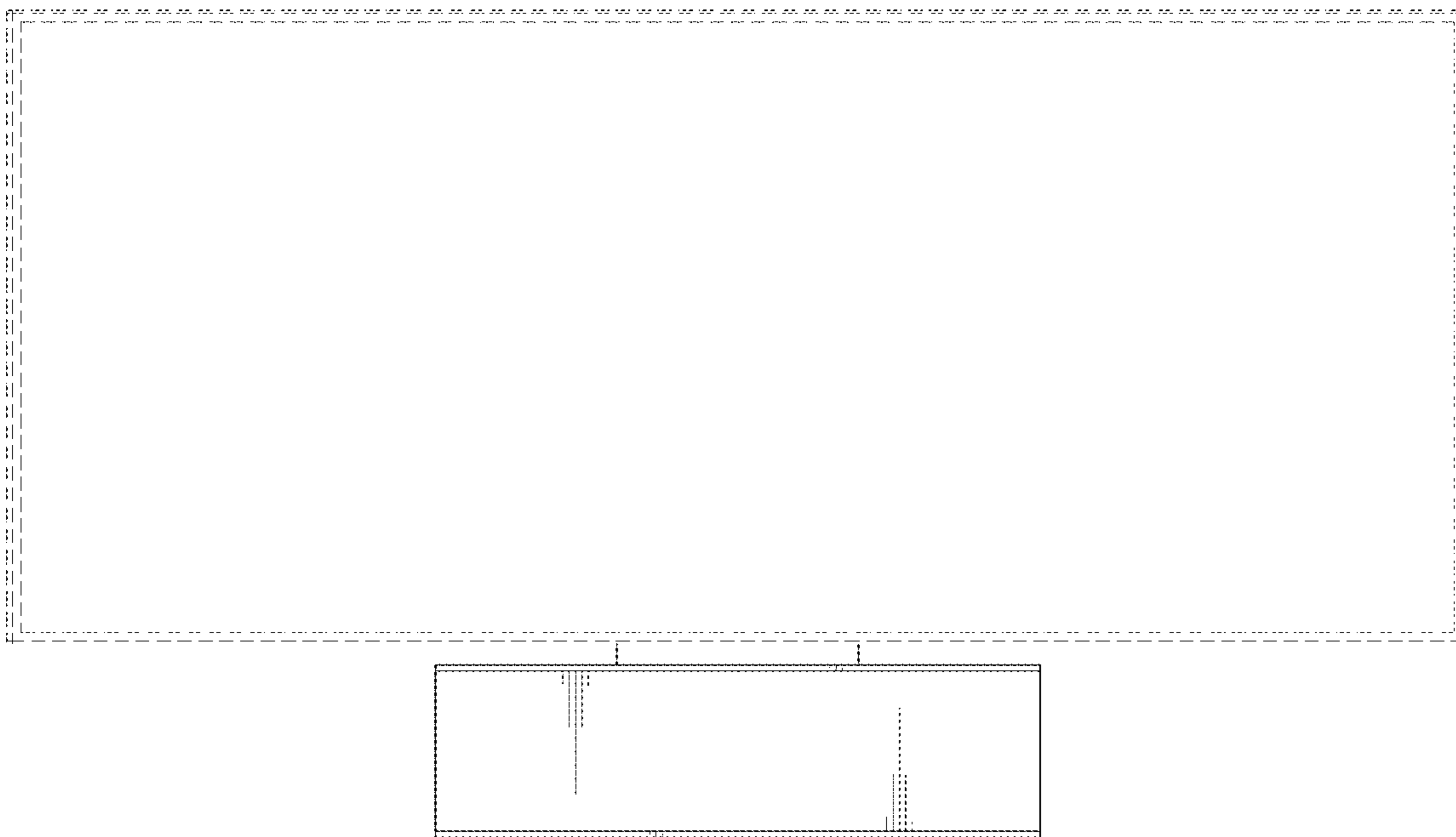


FIG. 3

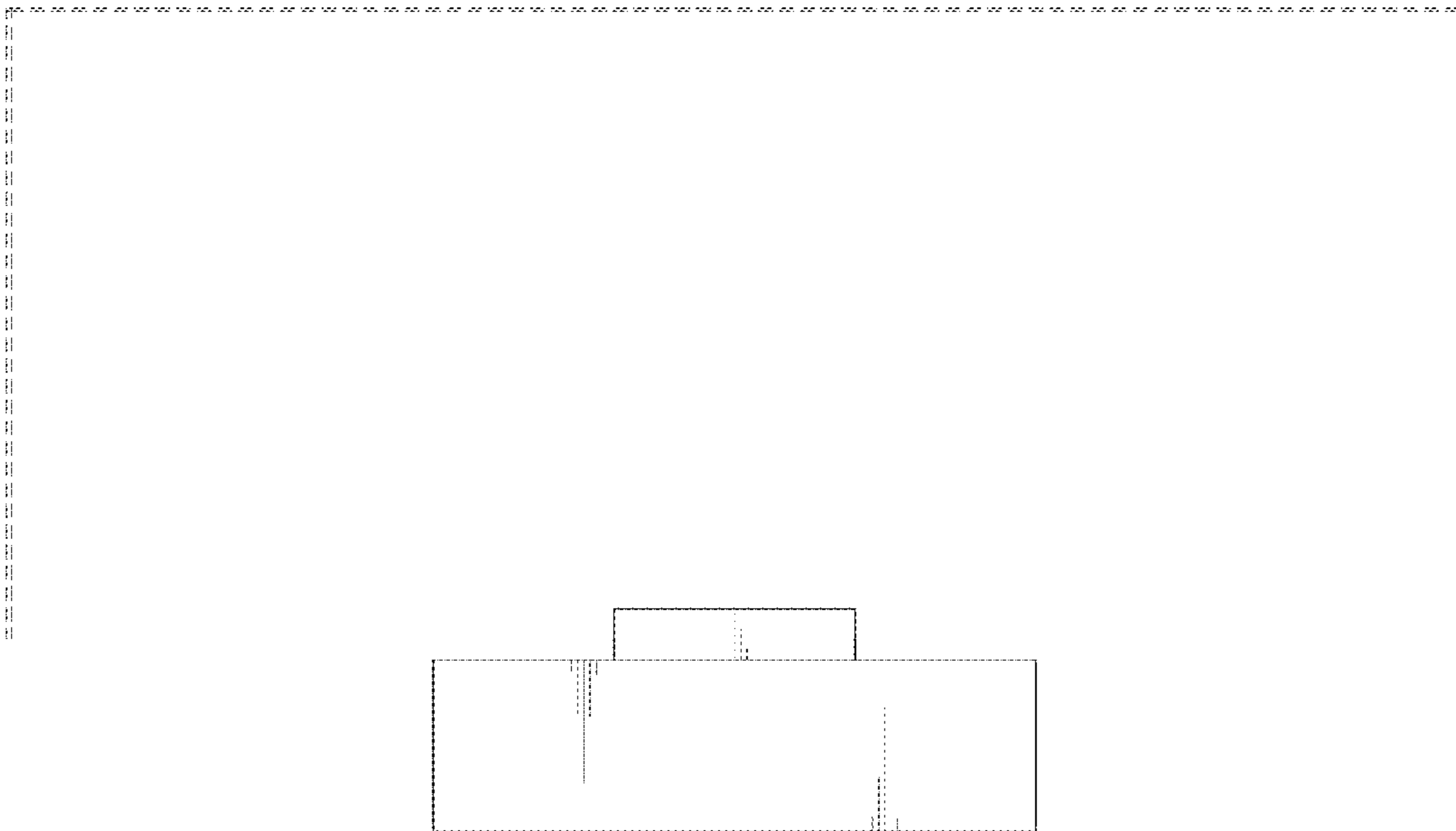


FIG. 4

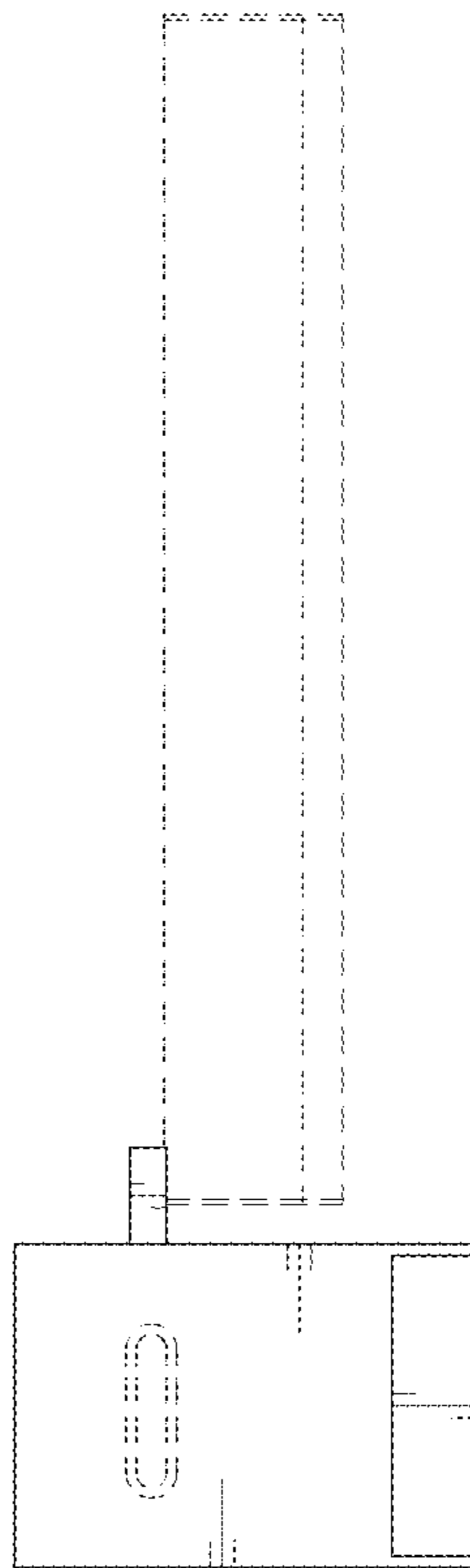


FIG. 5

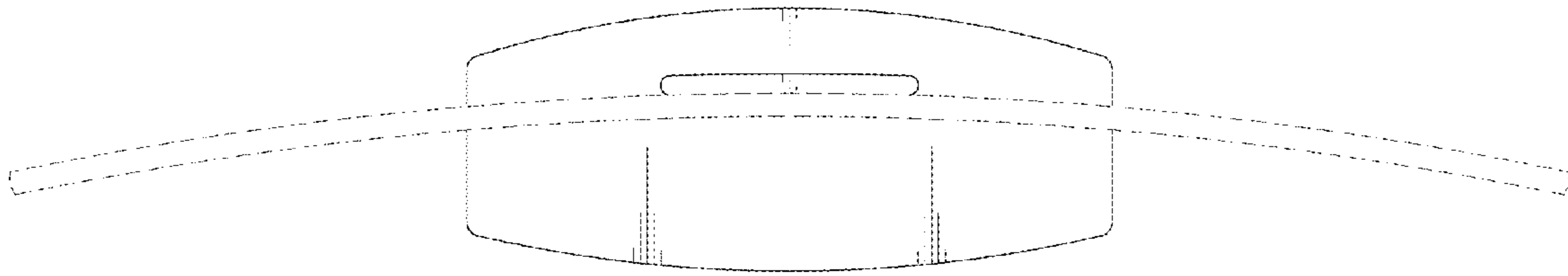


FIG. 6

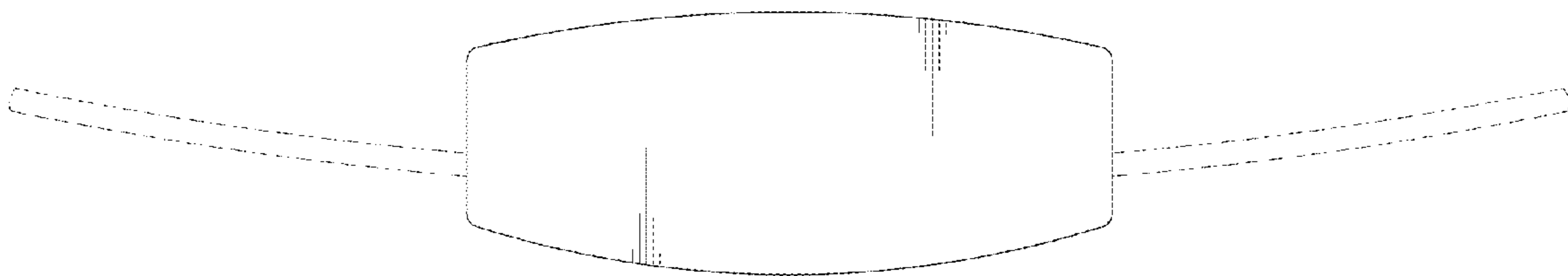


FIG. 7

