



US00D719550S

(12) **United States Design Patent**  
**Yang**

(10) **Patent No.:** **US D719,550 S**

(45) **Date of Patent:** **\*\* Dec. 16, 2014**

(54) **EARPHONE**

(71) Applicant: **Bill Yang**, Taipei (TW)

(72) Inventor: **Bill Yang**, Taipei (TW)

(73) Assignee: **Cotron Corporation**, Taipei (TW)

(\*\*) Term: **14 Years**

(21) Appl. No.: **29/477,457**

(22) Filed: **Dec. 23, 2013**

(51) **LOC (10) Cl.** ..... **14-01**

(52) **U.S. Cl.**  
USPC ..... **D14/223**

(58) **Field of Classification Search**  
CPC ..... H04R 1/1016  
USPC ..... D14/223, 205; D29/112; 2/209;  
181/129, 130, 135; 379/430, 431;  
381/380, 381, 374, 375; 455/90.3,  
455/575.1

See application file for complete search history.

(56) **References Cited**

**U.S. PATENT DOCUMENTS**

5,410,608	A	*	4/1995	Lucey et al.	381/360
D487,077	S	*	2/2004	Obata	D14/223
D549,688	S	*	8/2007	Suzuki	D14/205
D554,109	S	*	10/2007	Ledbetter et al.	D14/223
D557,689	S	*	12/2007	Huang	D14/223
D564,495	S	*	3/2008	Sasaki	D14/205
D567,217	S	*	4/2008	Kamo et al.	D14/205
D587,681	S	*	3/2009	Yanai	D14/205
D598,894	S	*	8/2009	Masuda et al.	D14/205
D598,901	S	*	8/2009	Lee et al.	D14/223
D599,778	S	*	9/2009	Ando	D14/205
D599,781	S	*	9/2009	Lee et al.	D14/205
D626,117	S	*	10/2010	Lowry	D14/223
D629,395	S	*	12/2010	Lee et al.	D14/223
D642,163	S	*	7/2011	Lee et al.	D14/223

D643,416	S	*	8/2011	Chong et al.	D14/223
D654,056	S	*	2/2012	Hoggarth et al.	D14/223
D657,780	S	*	4/2012	Dahlberg	D14/223
D658,157	S	*	4/2012	McManigal	D14/205
D671,531	S	*	11/2012	Kim	D14/223
D673,531	S	*	1/2013	Lee et al.	D14/223
8,391,536	B2	*	3/2013	Hashimoto	381/380
D679,267	S	*	4/2013	Lee et al.	D14/223
D686,597	S	*	7/2013	Lee et al.	D14/223
D697,058	S	*	1/2014	Thompson et al.	D14/223
D698,761	S	*	2/2014	Bao	D14/223
D707,652	S	*	6/2014	Brunner et al.	D14/205
D710,334	S	*	8/2014	Yang	D14/223
D711,356	S	*	8/2014	Yang	D14/223
8,831,266	B1	*	9/2014	Huang	381/380
2007/0098201	A1	*	5/2007	Chen	381/380

\* cited by examiner

*Primary Examiner* — Paula Greene

(74) *Attorney, Agent, or Firm* — Jianq Chyun IP Office

(57) **CLAIM**

The ornamental design for an earphone, as shown and described.

**DESCRIPTION**

FIG. 1 is a perspective view of an earphone showing my new design;

FIG. 2 is another perspective view thereof;

FIG. 3 is another perspective view thereof;

FIG. 4 is another perspective view thereof;

FIG. 5 is a front view thereof;

FIG. 6 is a rear view thereof;

FIG. 7 is a left side view thereof;

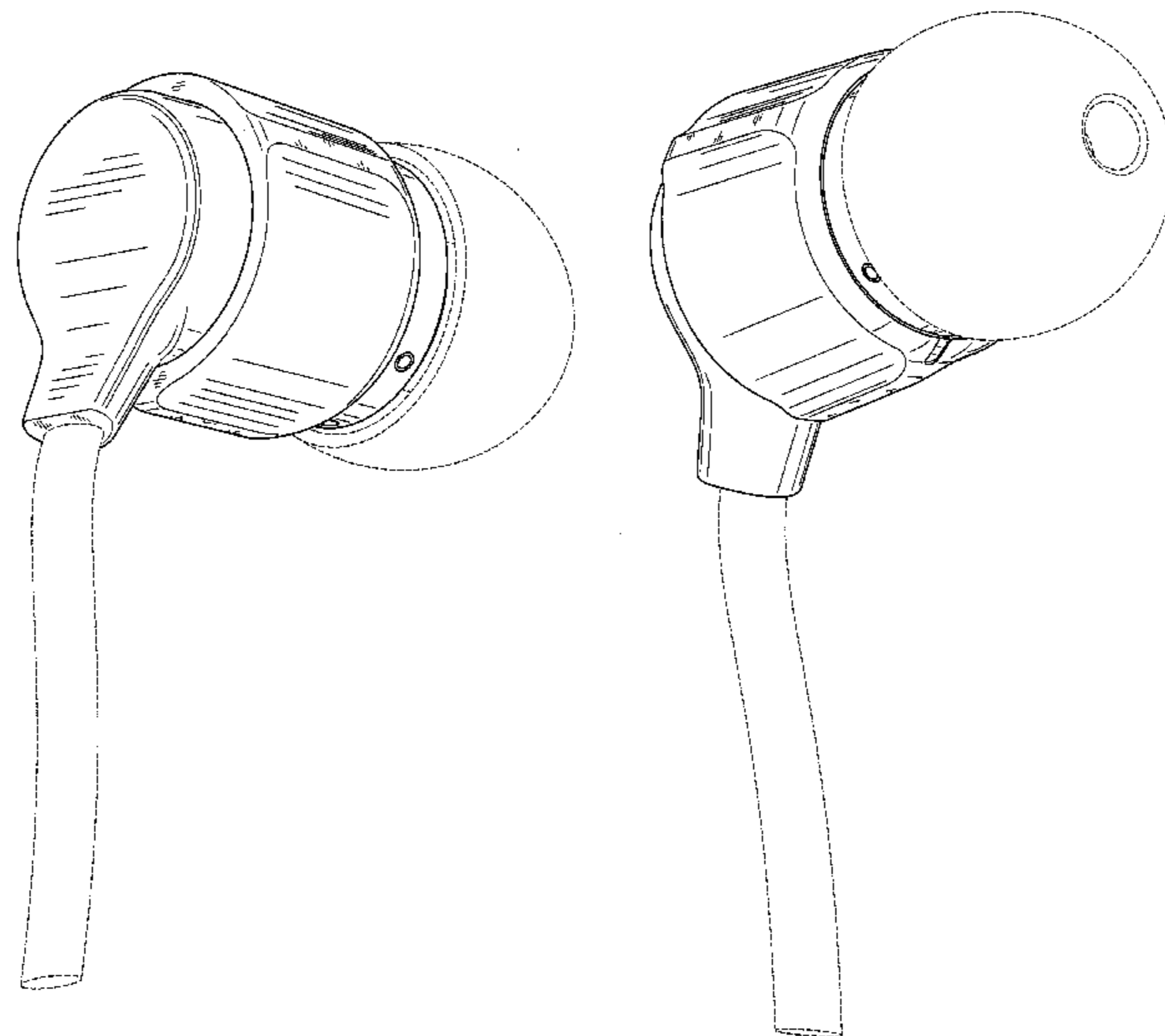
FIG. 8 is a right side view thereof;

FIG. 9 is a top view thereof; and,

FIG. 10 is a bottom view thereof.

The broken line portions of the earphone in FIGS. 1-10 represent unclaimed portions of the claimed design and form no part thereof.

**1 Claim, 10 Drawing Sheets**



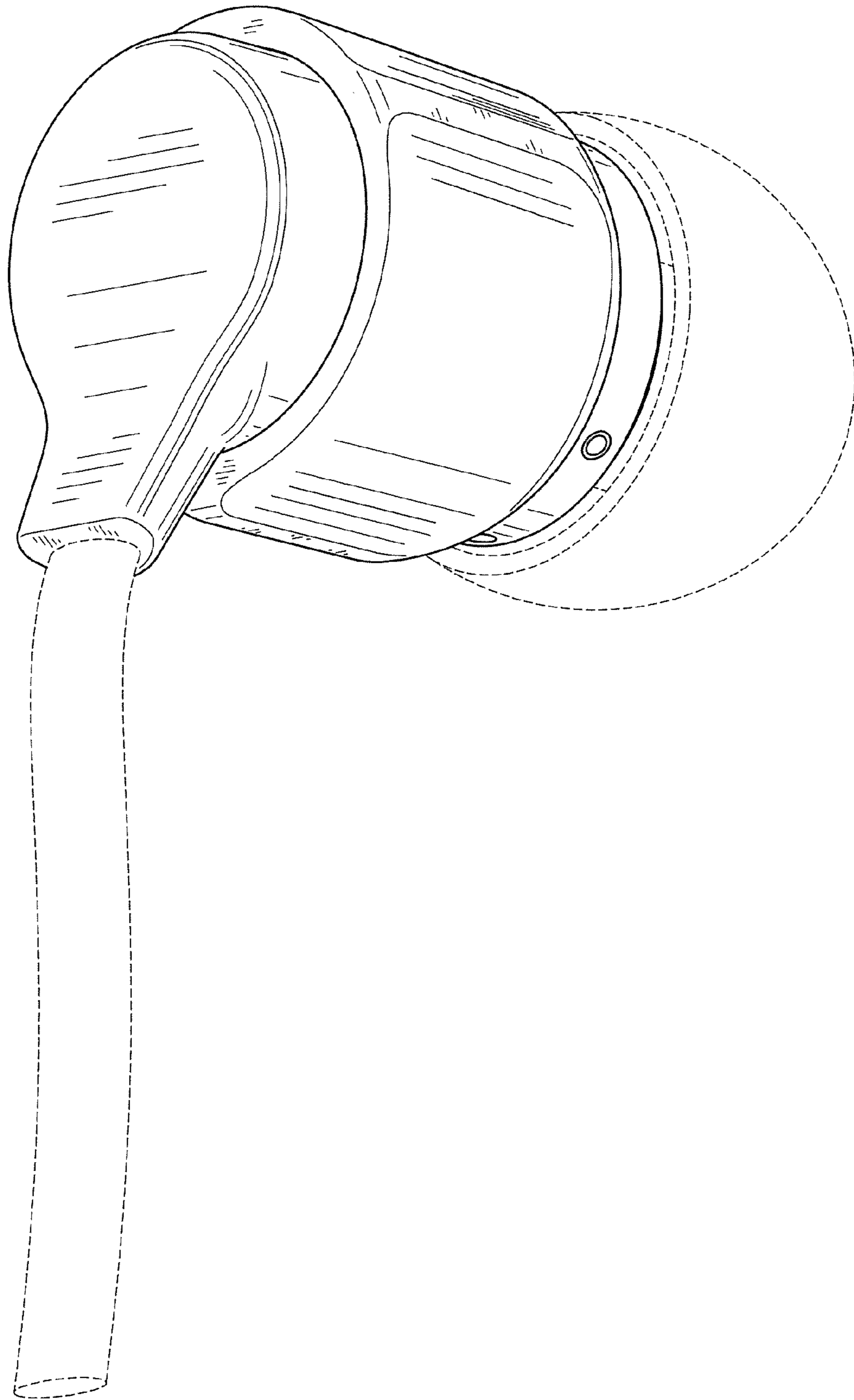


FIG. 1

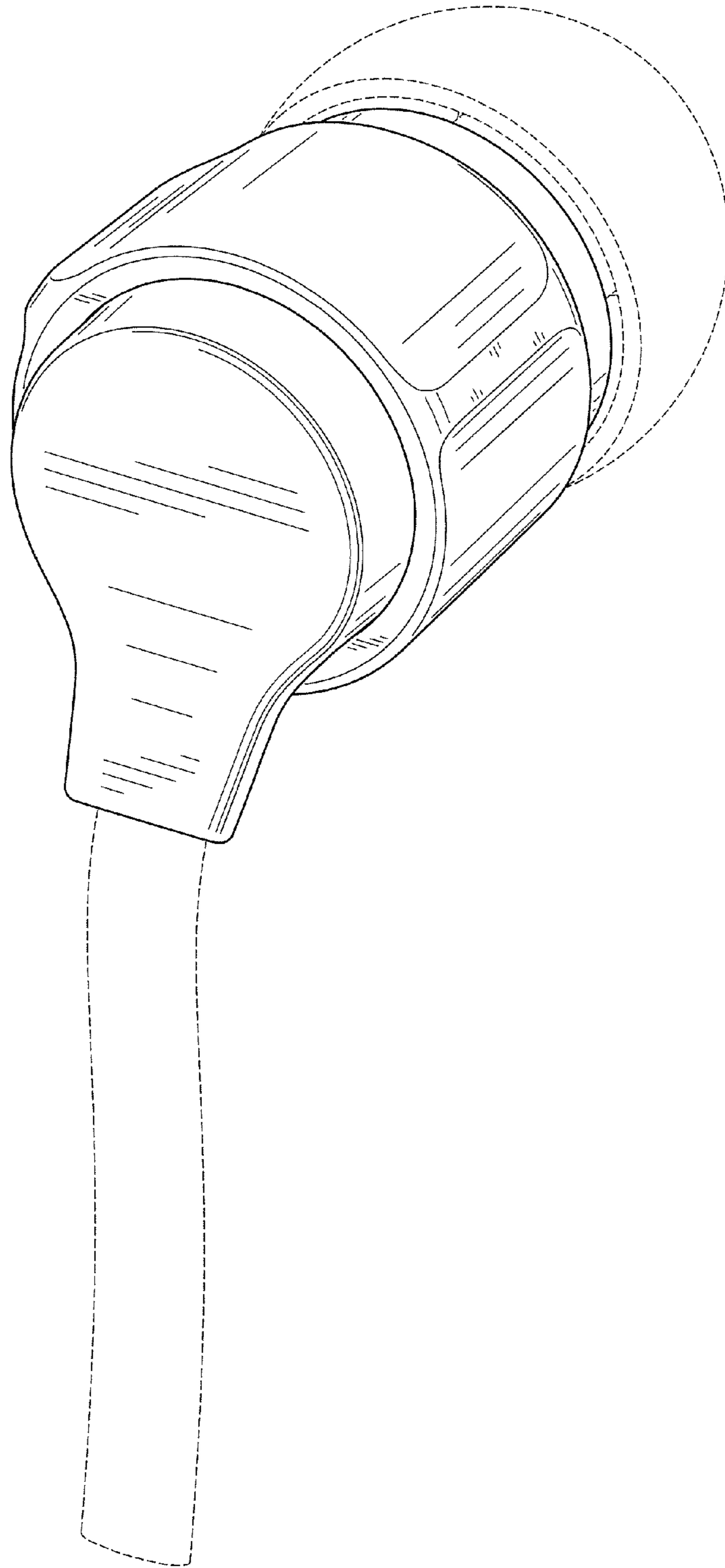


FIG. 2

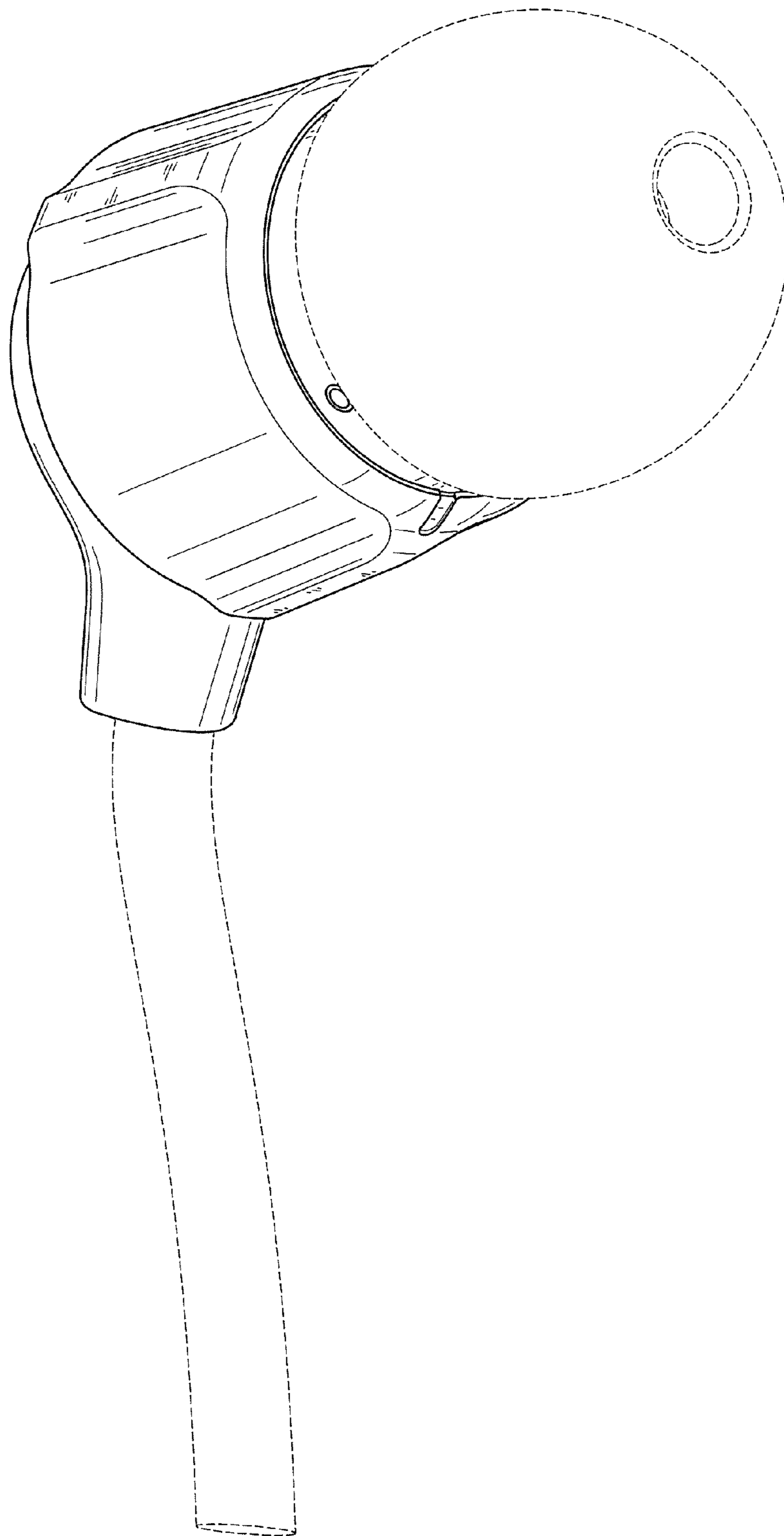


FIG. 3

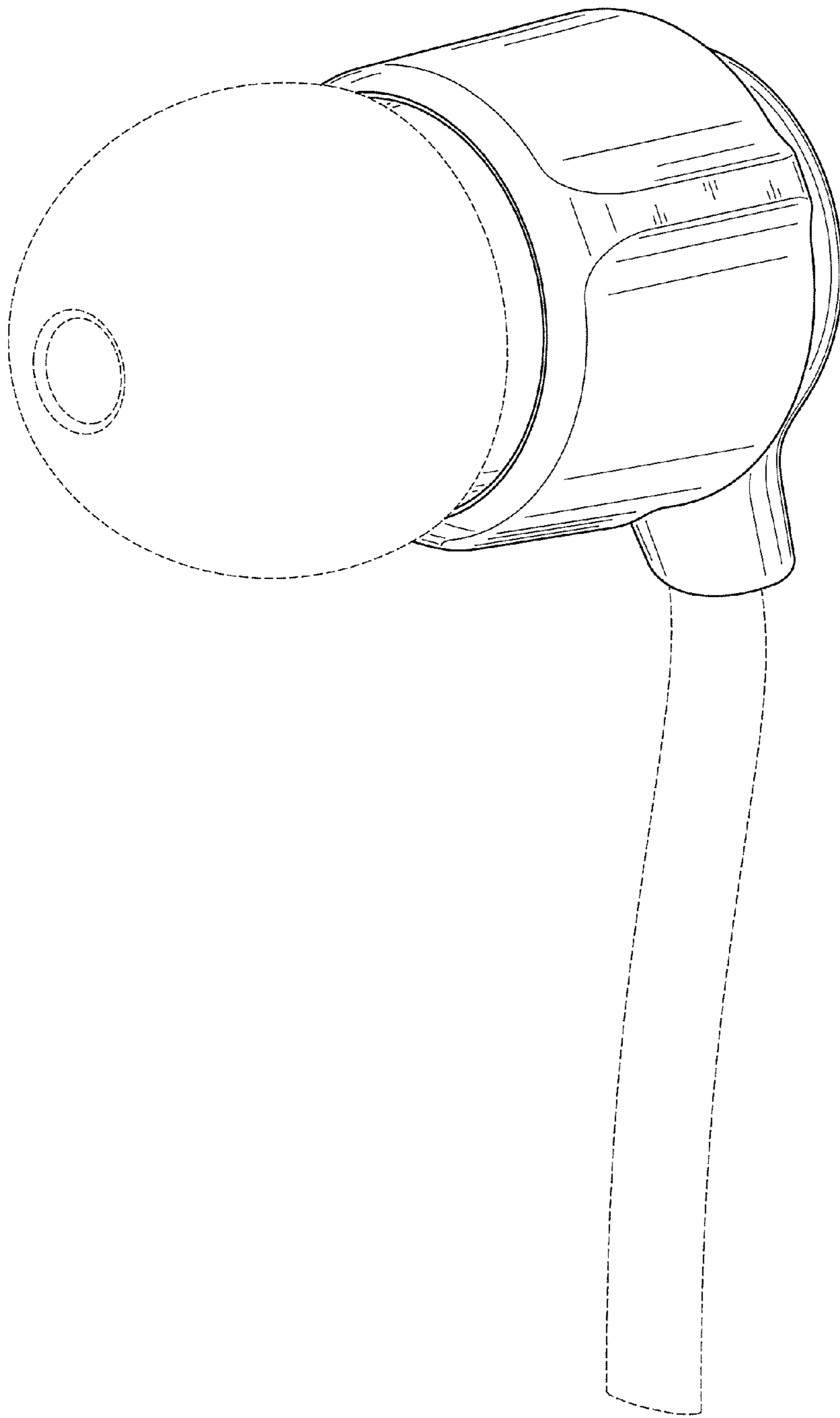


FIG. 4

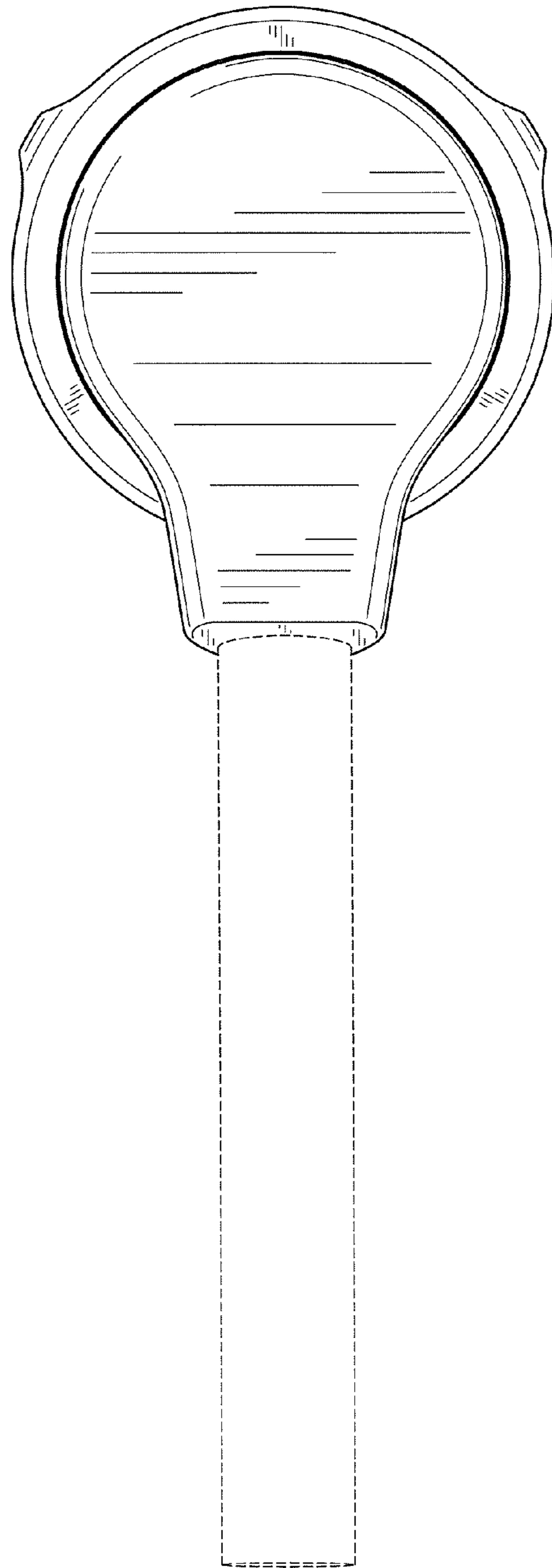


FIG. 5

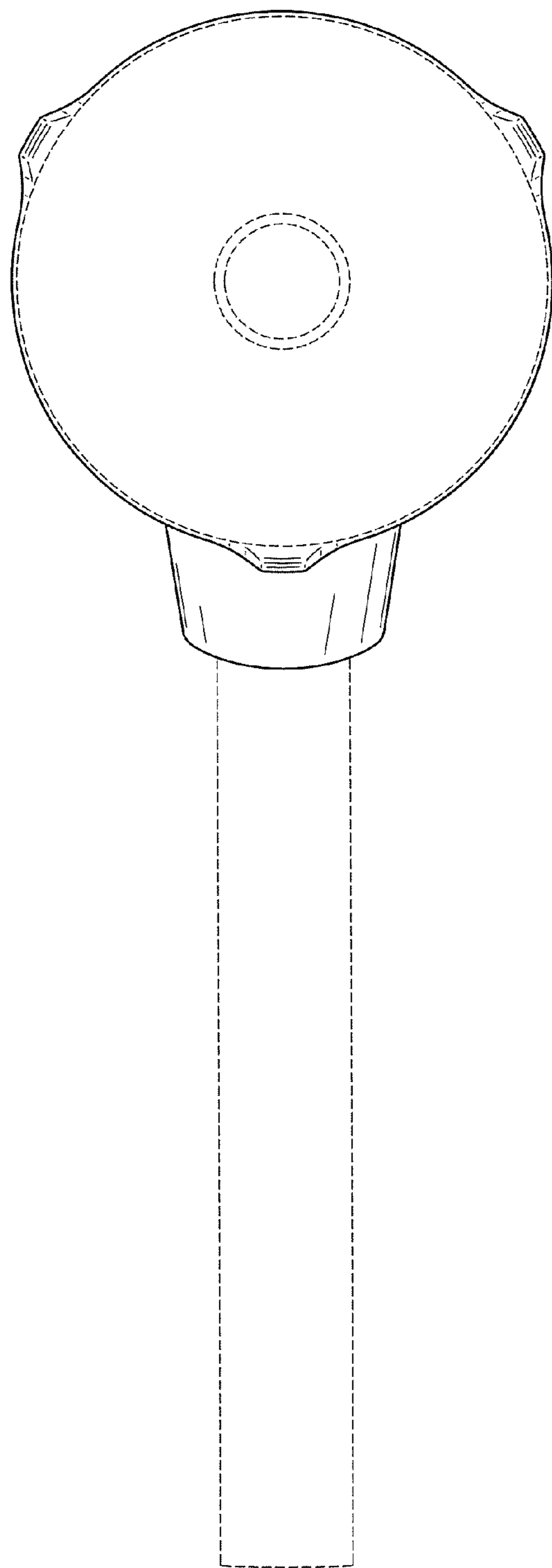


FIG. 6

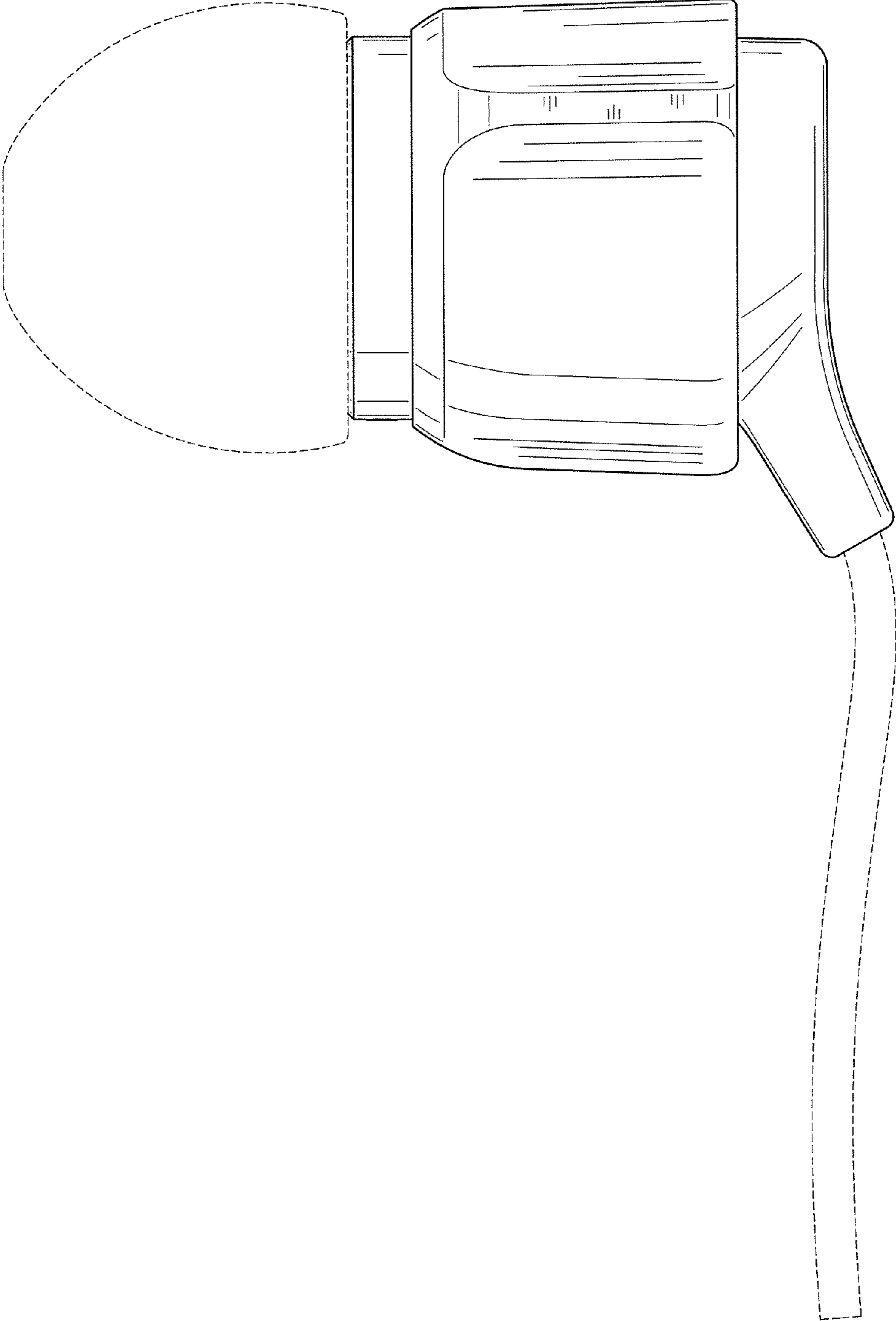


FIG. 7



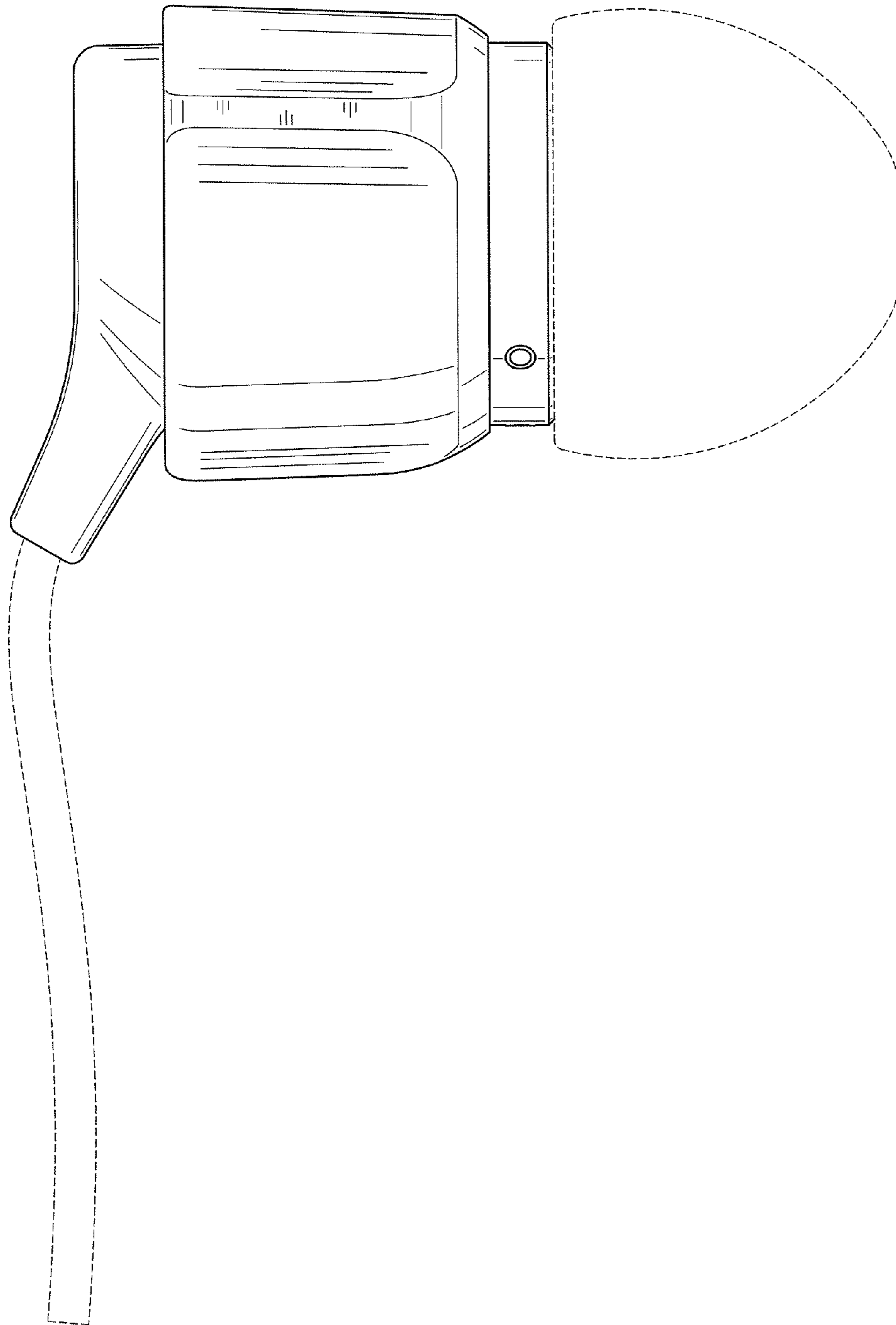


FIG. 8

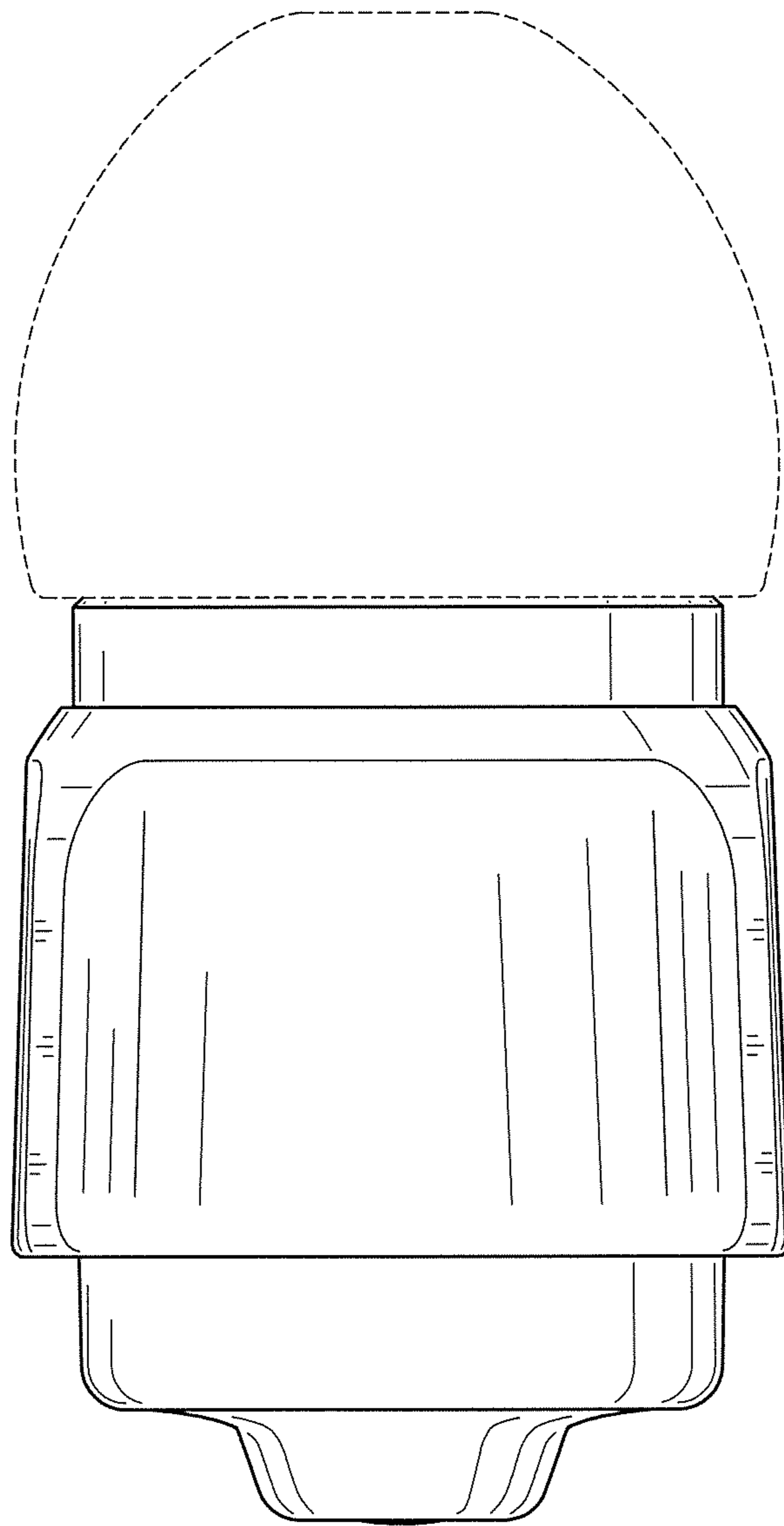


FIG. 9

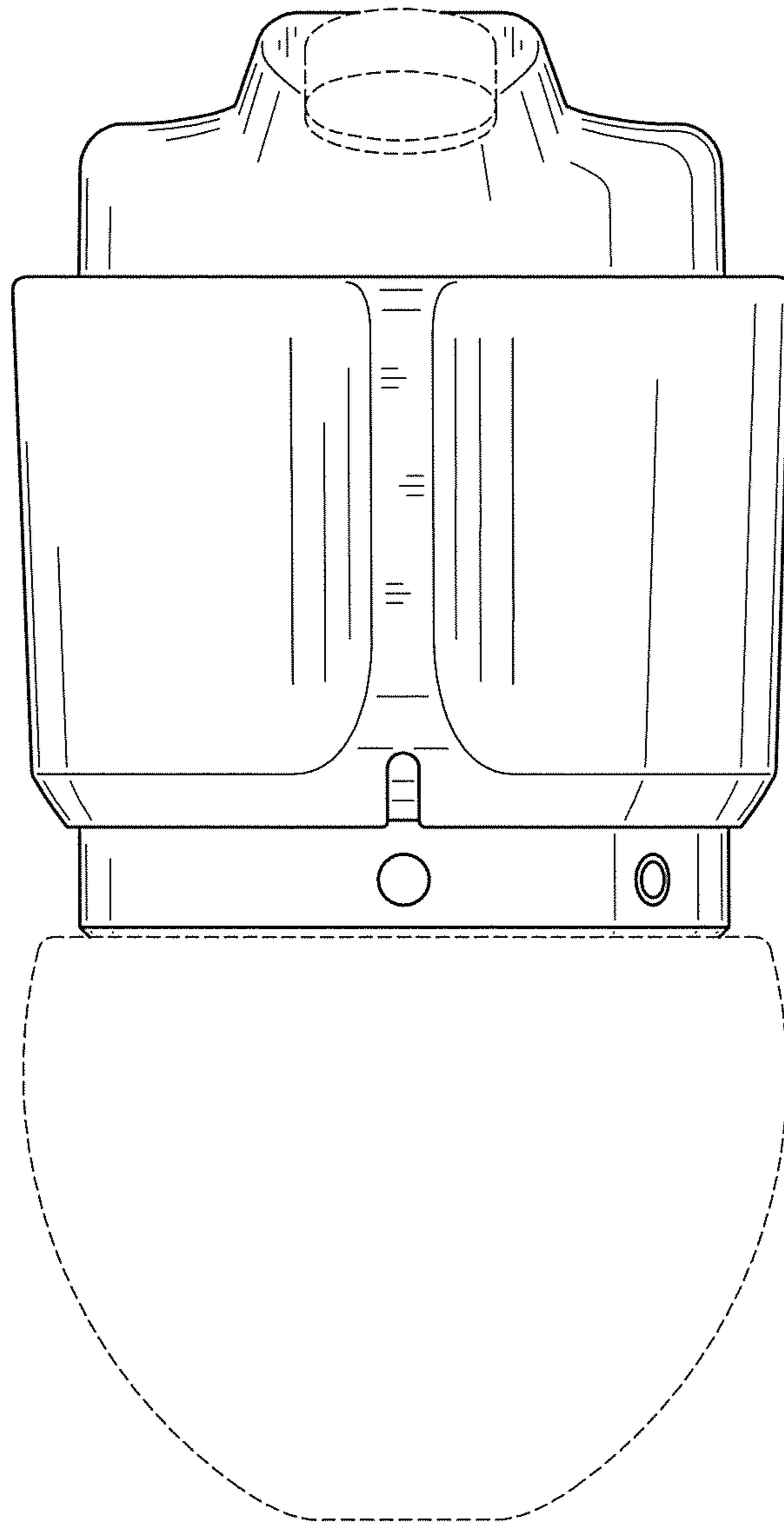


FIG. 10