



US00D719548S

(12) **United States Design Patent**
Thompson et al.

(10) **Patent No.:** **US D719,548 S**

(45) **Date of Patent:** **** Dec. 16, 2014**

(54) **PAIR OF HEADPHONES**

(75) Inventors: **David Matthew Thompson**, Hamersley (AU); **Matthew Rowett**, East Fremantle (AU); **Iain Finlay**, Port Macquarie (AU)

(73) Assignee: **Audiofly Pty Ltd** (AU)

(**) Term: **14 Years**

(21) Appl. No.: **29/424,869**

(22) Filed: **Jun. 15, 2012**

(30) **Foreign Application Priority Data**

Dec. 16, 2011 (AU) 201115827

(51) **LOC (10) Cl.** **14-01**

(52) **U.S. Cl.**
USPC **D14/223**

(58) **Field of Classification Search**
CPC H04R 1/10
USPC D14/205, 206, 223; 181/129, 130, 135;
379/430, 431; 381/380, 381, 328;
D24/174; 455/90.3, 575.1
See application file for complete search history.

(56) **References Cited**

U.S. PATENT DOCUMENTS

4,965,838	A	*	10/1990	Kamon et al.	381/380
D519,108	S	*	4/2006	Yang	D14/223
D531,169	S	*	10/2006	Tokioka et al.	D14/223
D554,627	S	*	11/2007	Gondo	D14/223
7,551,748	B2	*	6/2009	Kamo et al.	381/380
D600,675	S	*	9/2009	Lee et al.	D14/205
D606,971	S	*	12/2009	Christopher et al.	D14/205
D626,117	S	*	10/2010	Lowry	D14/223
D642,163	S	*	7/2011	Lee et al.	D14/223

D643,416	S	*	8/2011	Chong et al.	D14/223
D643,833	S	*	8/2011	Lee et al.	D14/223
D647,081	S	*	10/2011	Kwon	D14/223
D660,290	S	*	5/2012	Weedon	D14/223
8,391,536	B2	*	3/2013	Hashimoto	381/380

* cited by examiner

Primary Examiner — Paula Greene

(74) *Attorney, Agent, or Firm* — Lewis B. Sternfels

(57) **CLAIM**

The ornamental design for a pair of headphones, as shown and described.

DESCRIPTION

FIG. 1 depicts a back elevational/isometric view of the right ear bud;

FIG. 2 depicts a right side view of the right ear bud;

FIG. 3 depicts a left side view of the right ear bud;

FIG. 4 depicts a back view of the right ear bud;

FIG. 5 depicts a front view of the right ear bud;

FIG. 6 depicts a top view of the right ear bud;

FIG. 7 depicts a bottom view of the right ear bud;

FIG. 8 depicts a back elevational/isometric view of the left ear bud;

FIG. 9 depicts a left side view of the left ear bud;

FIG. 10 depicts a right side view of the left ear bud;

FIG. 11 depicts a front view of the left ear bud;

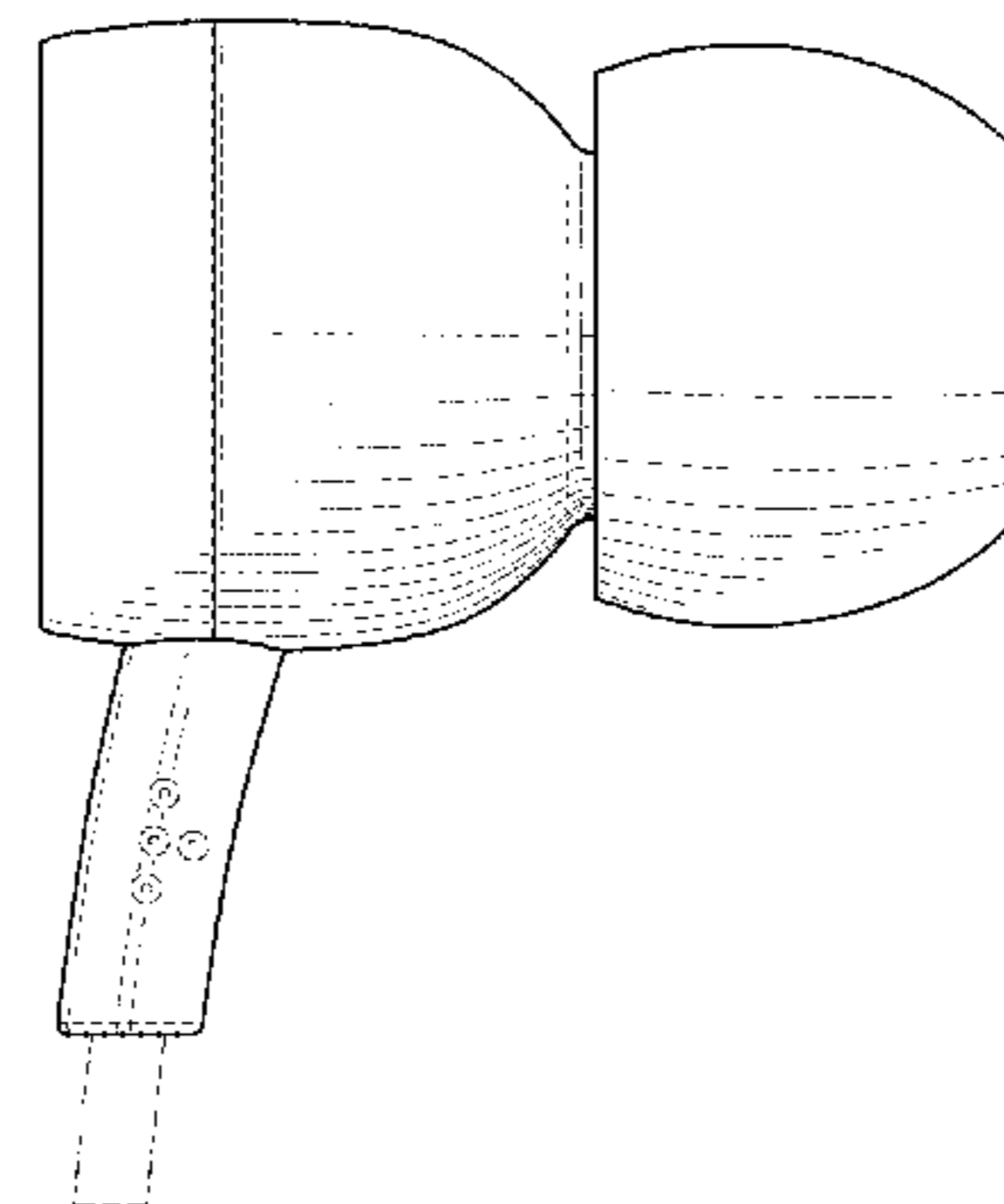
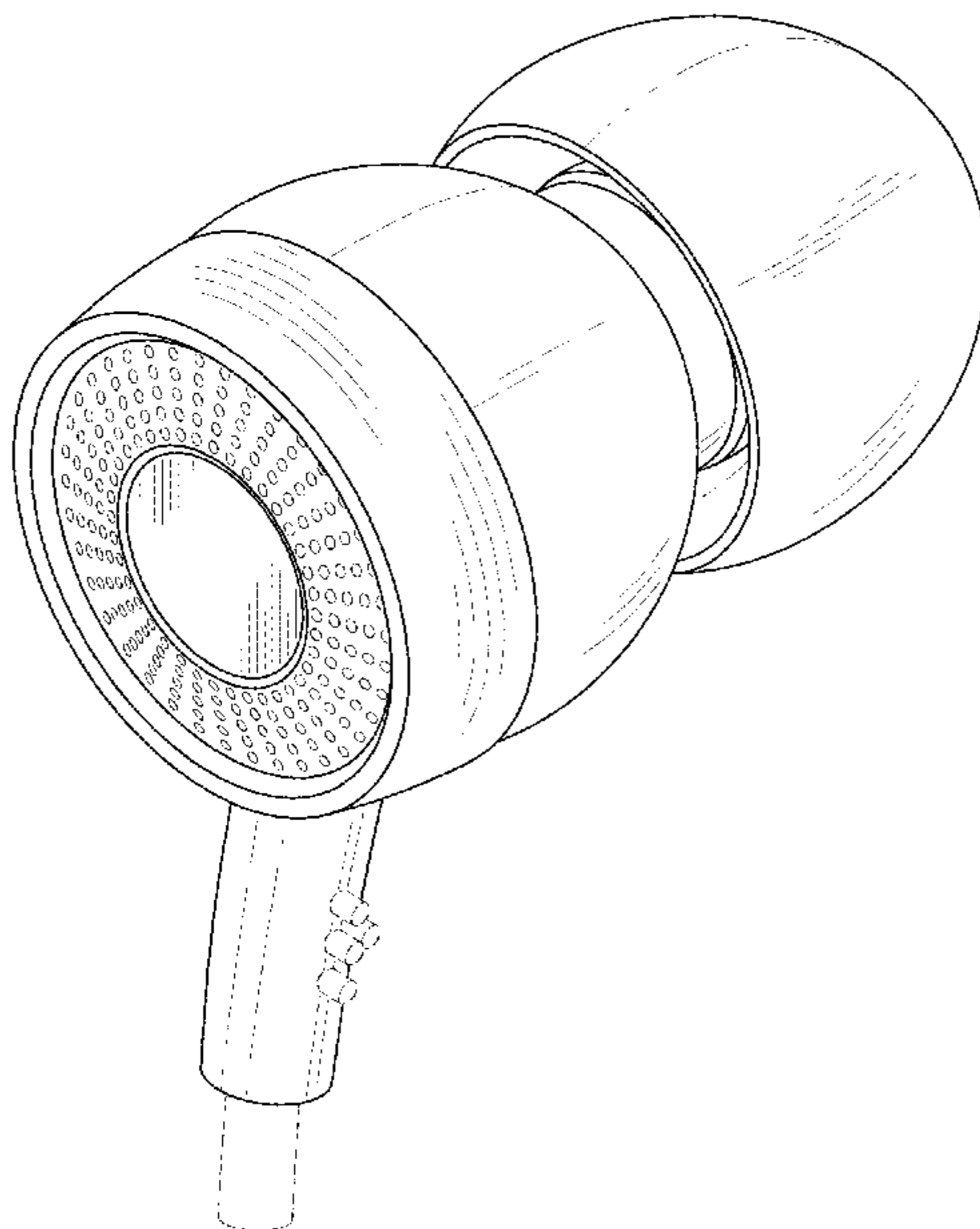
FIG. 12 depicts a back view of the left ear bud;

FIG. 13 depicts a top view of the left ear bud; and,

FIG. 14 depicts a bottom view of the left ear bud.

The features shown in broken lines are not part of the invention.

1 Claim, 8 Drawing Sheets



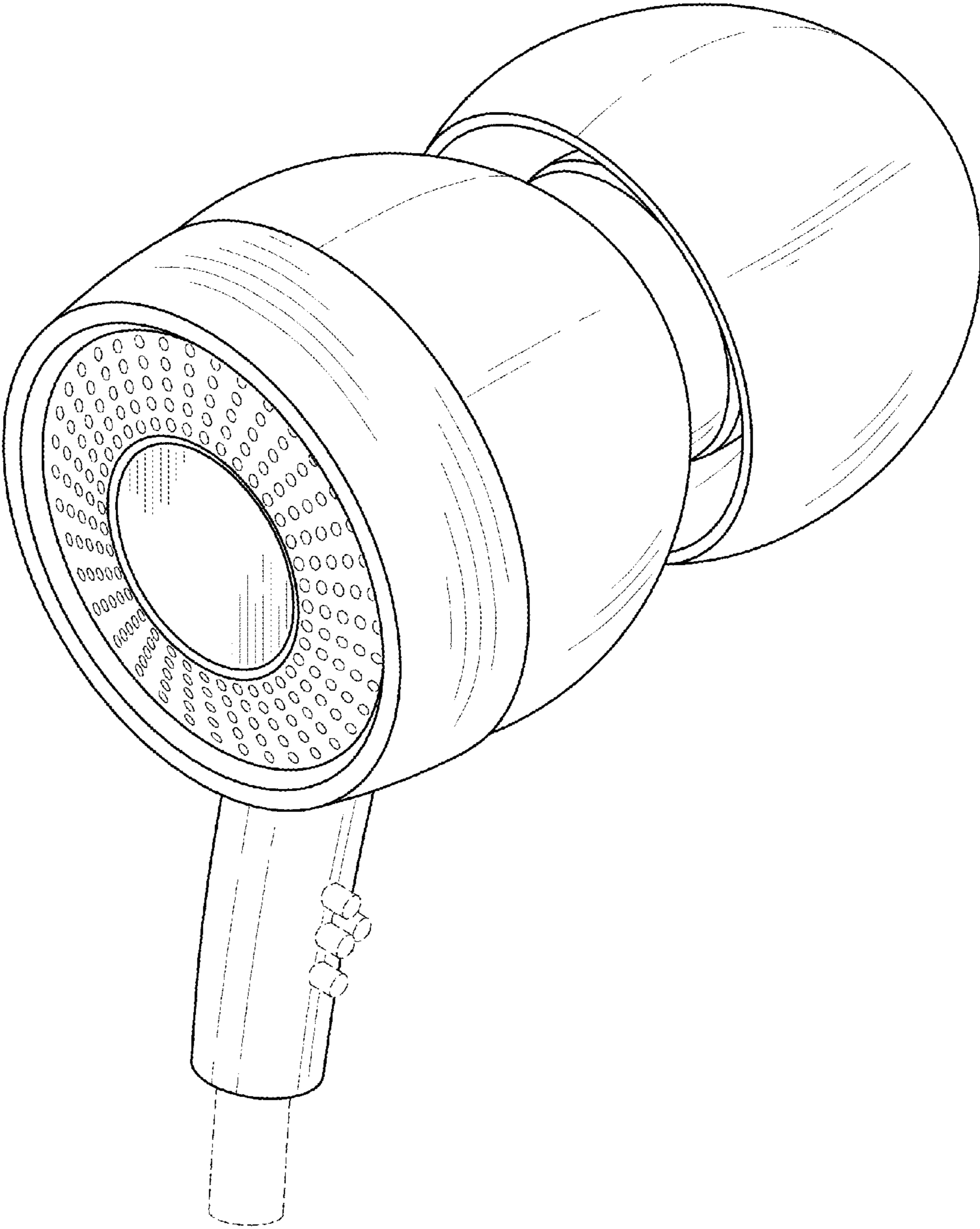


FIG. 1

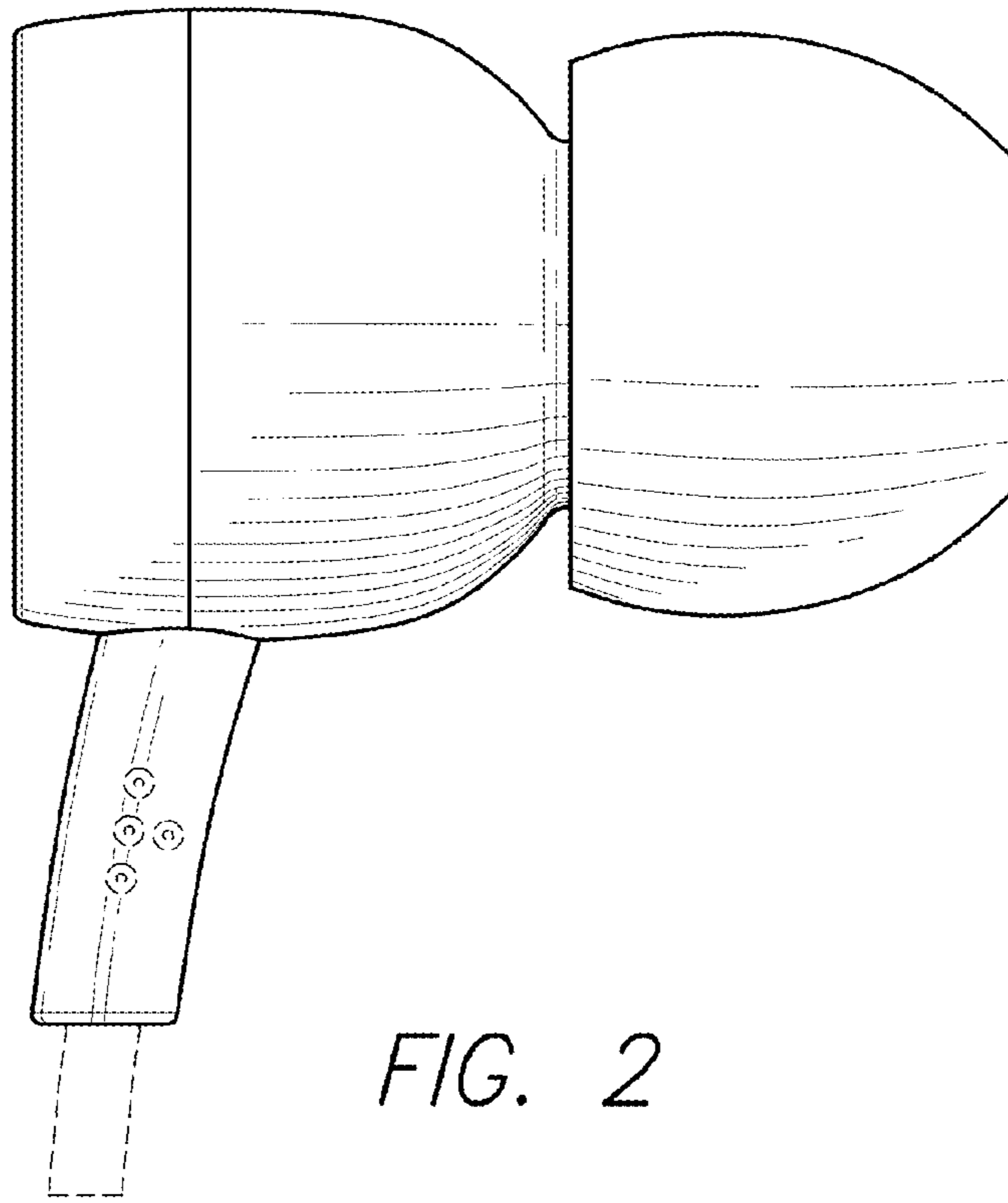


FIG. 2

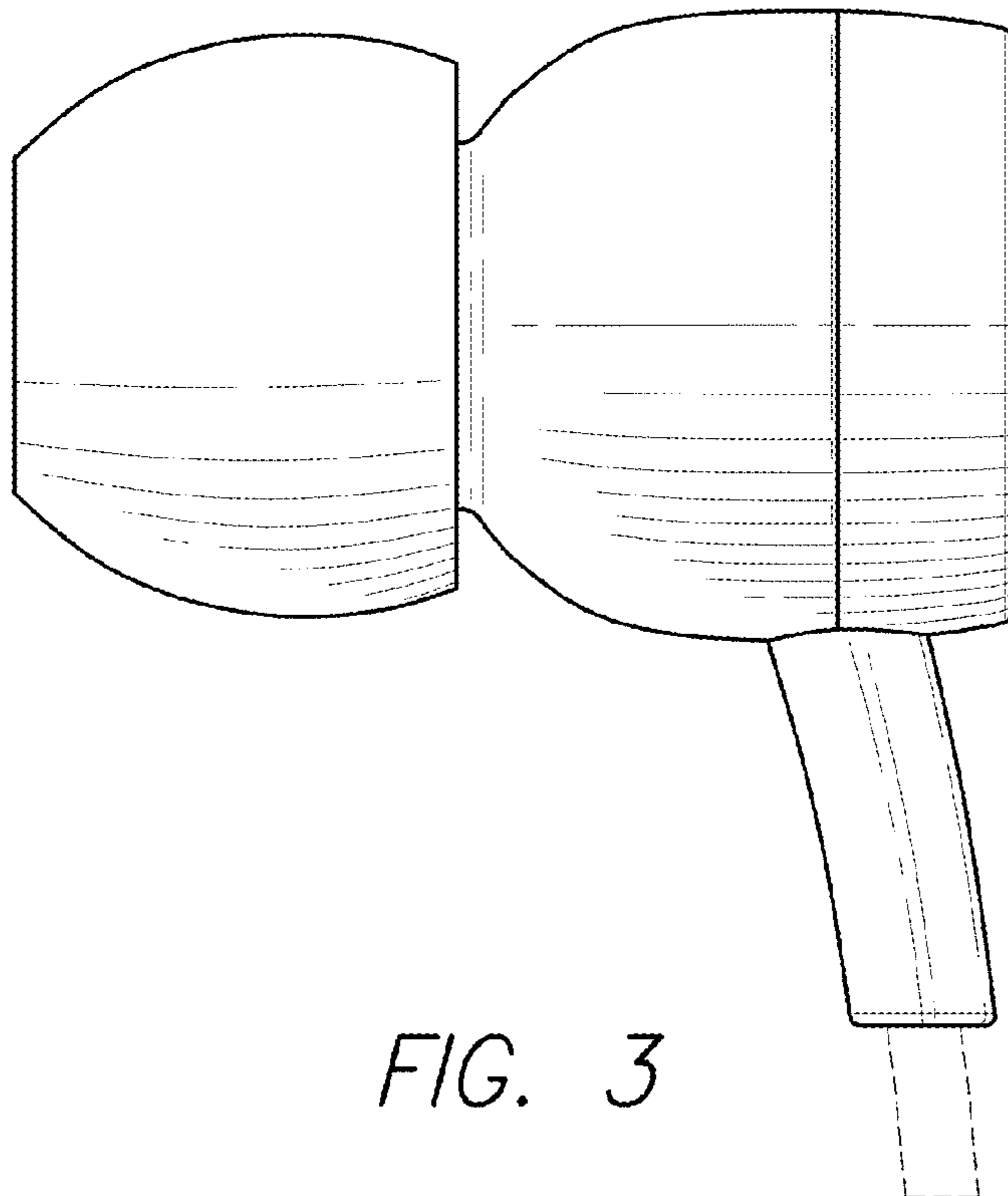
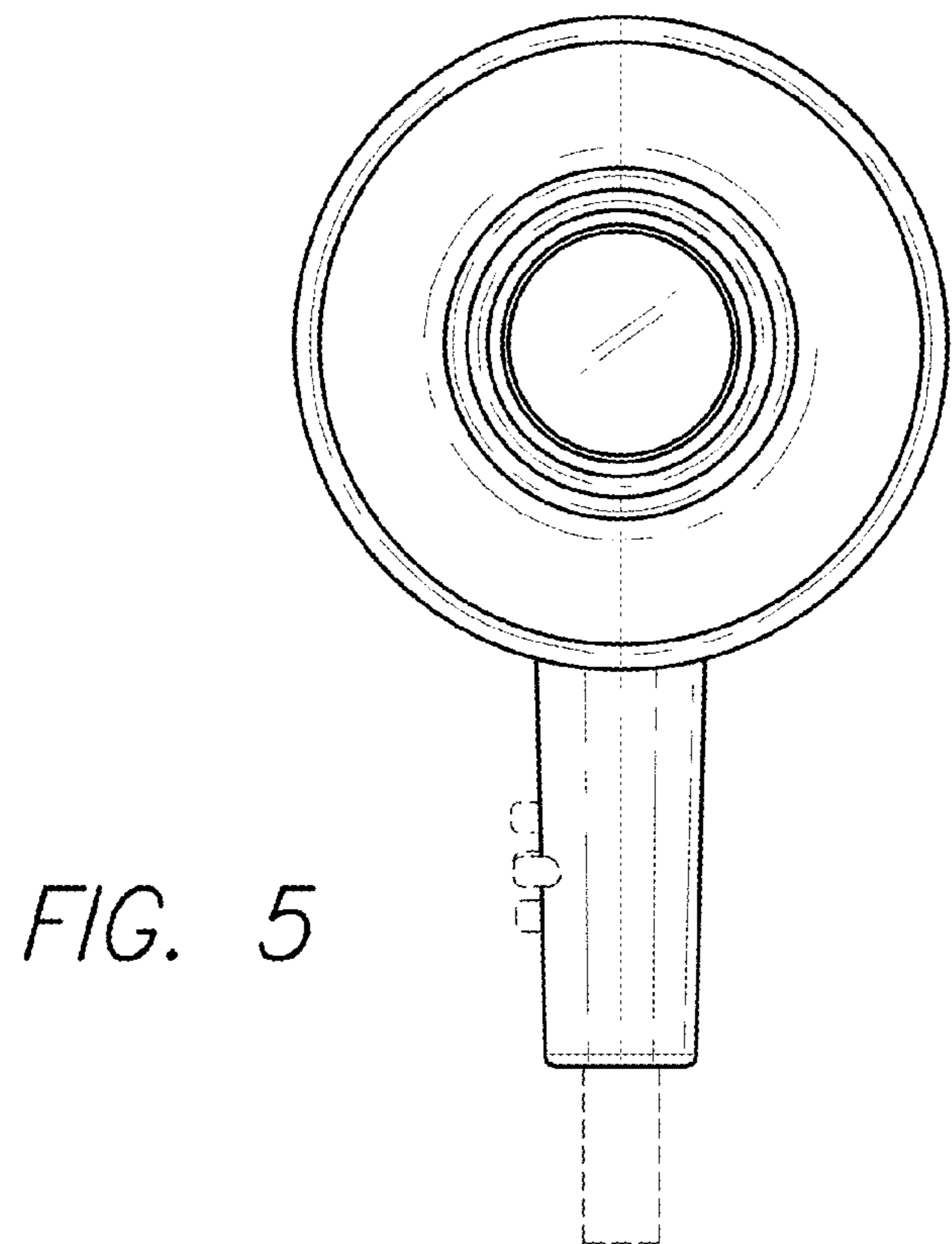
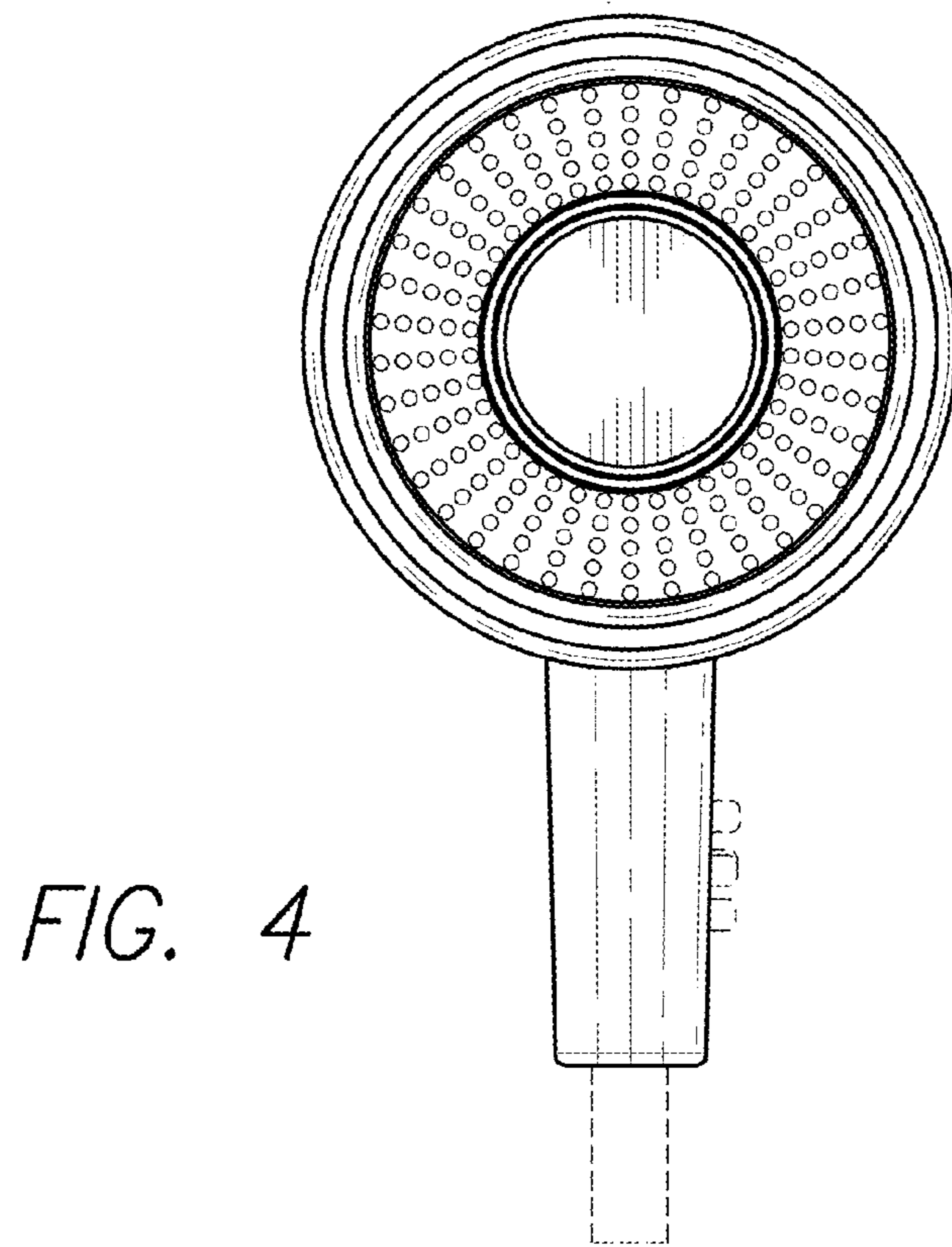


FIG. 3



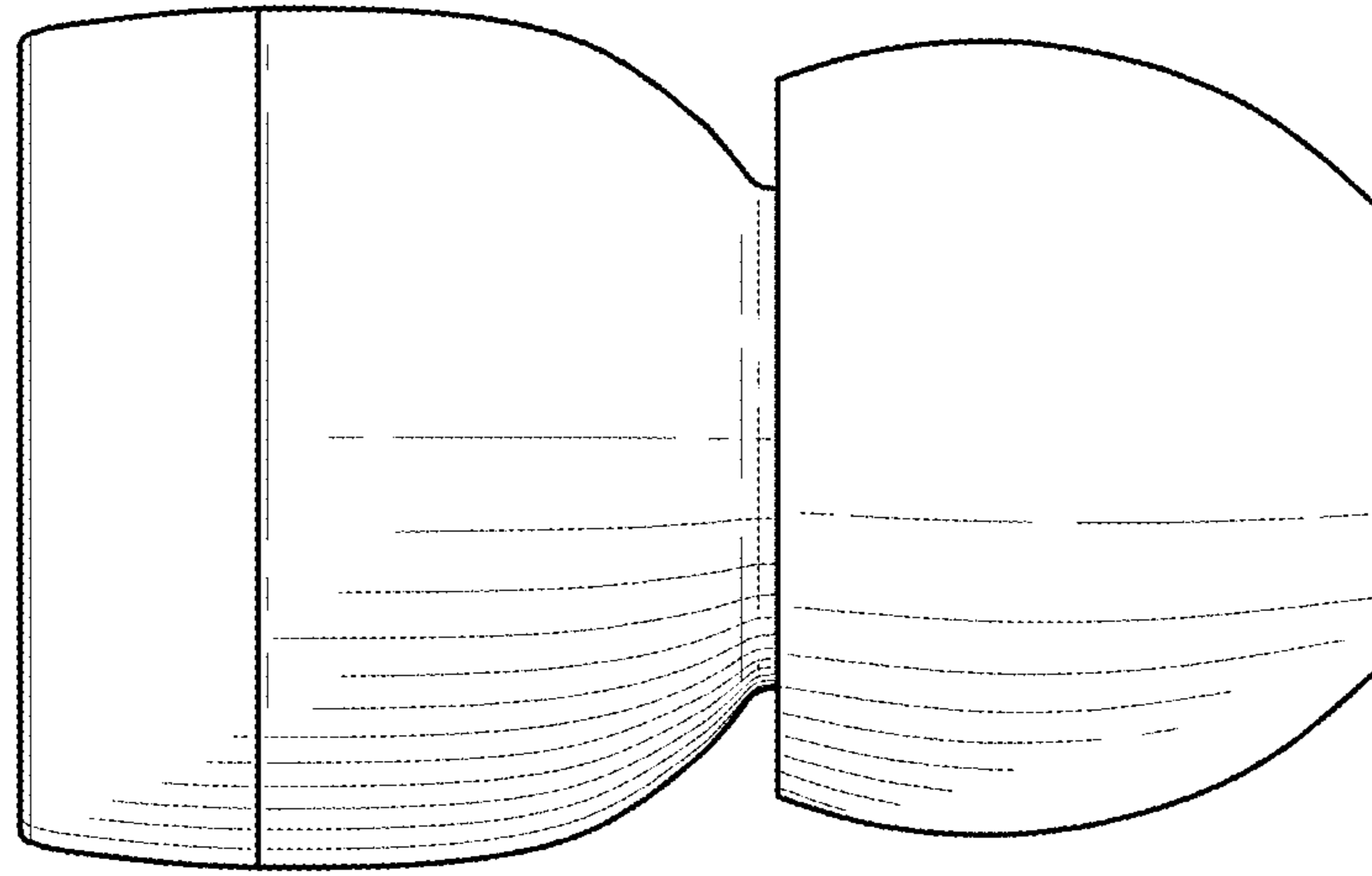


FIG. 6

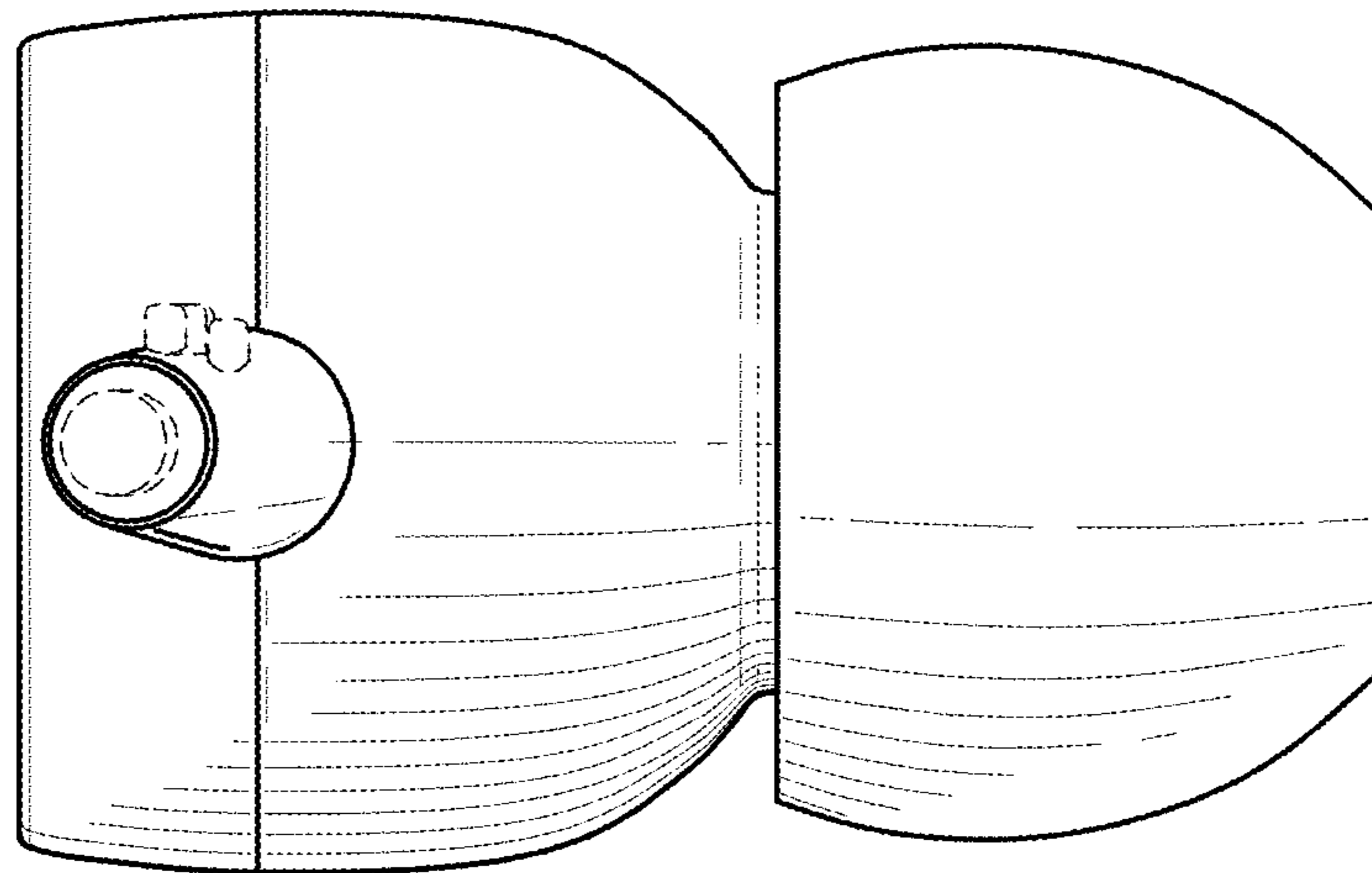


FIG. 7

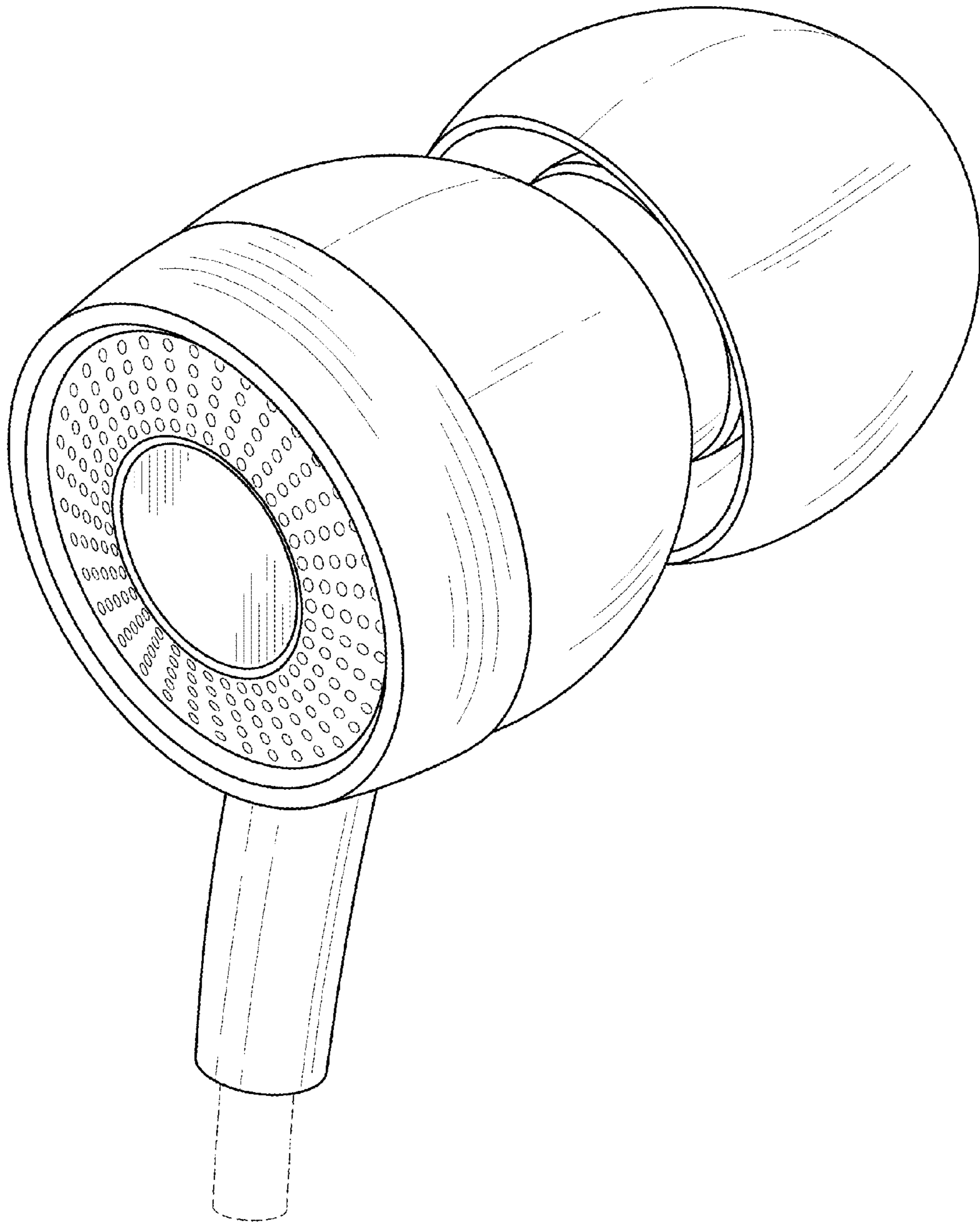


FIG. 8

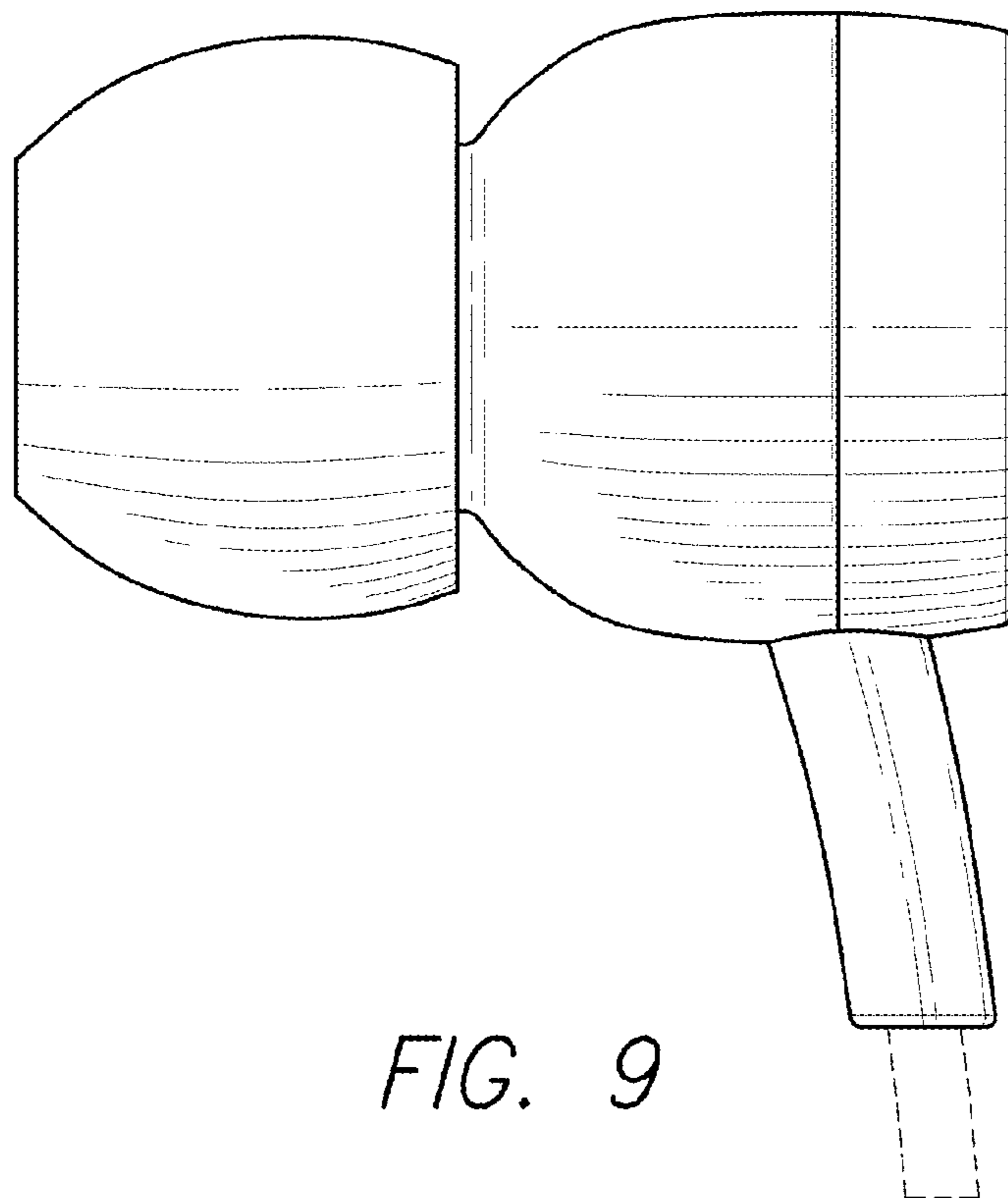


FIG. 9

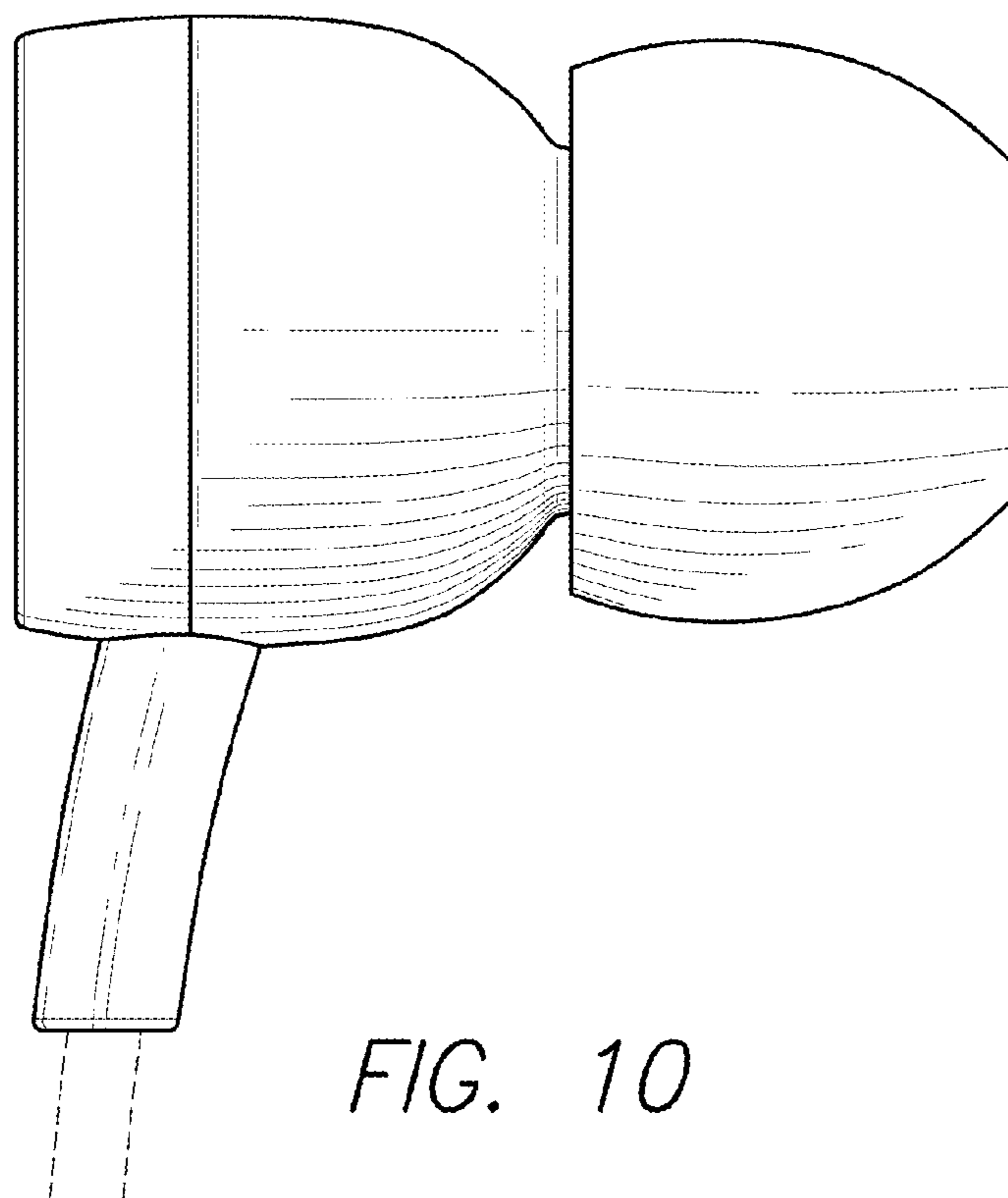


FIG. 10

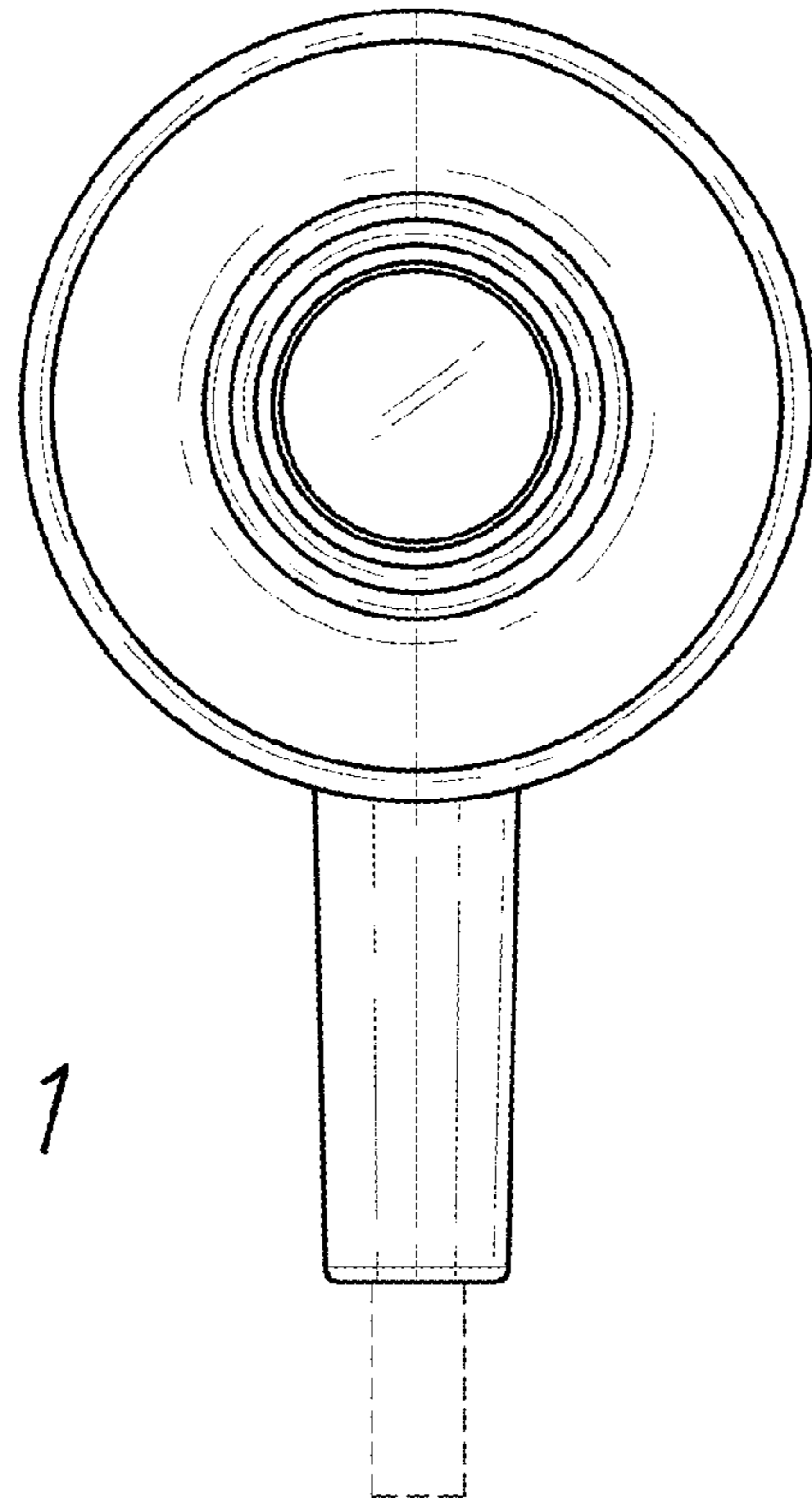


FIG. 11

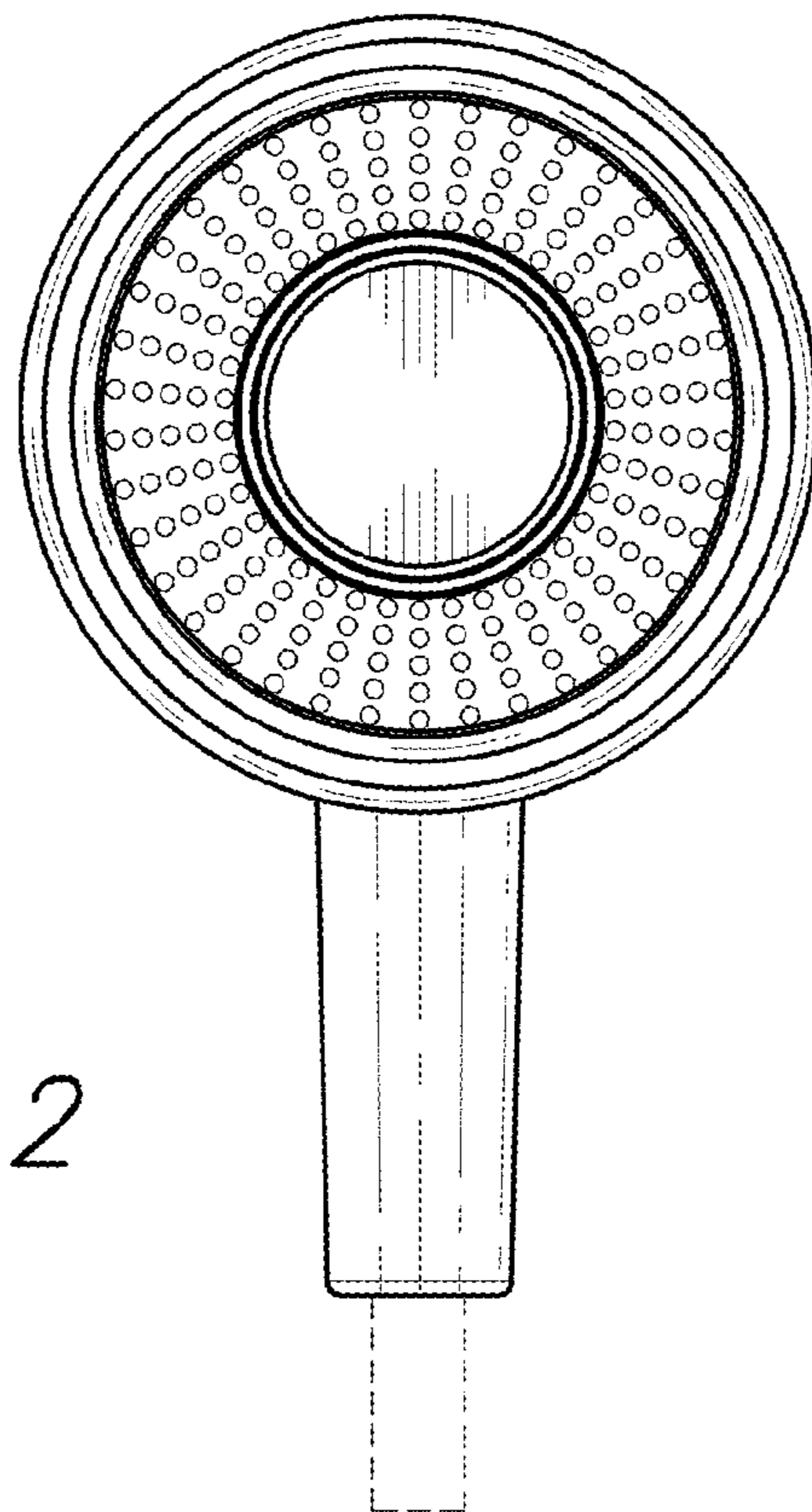


FIG. 12

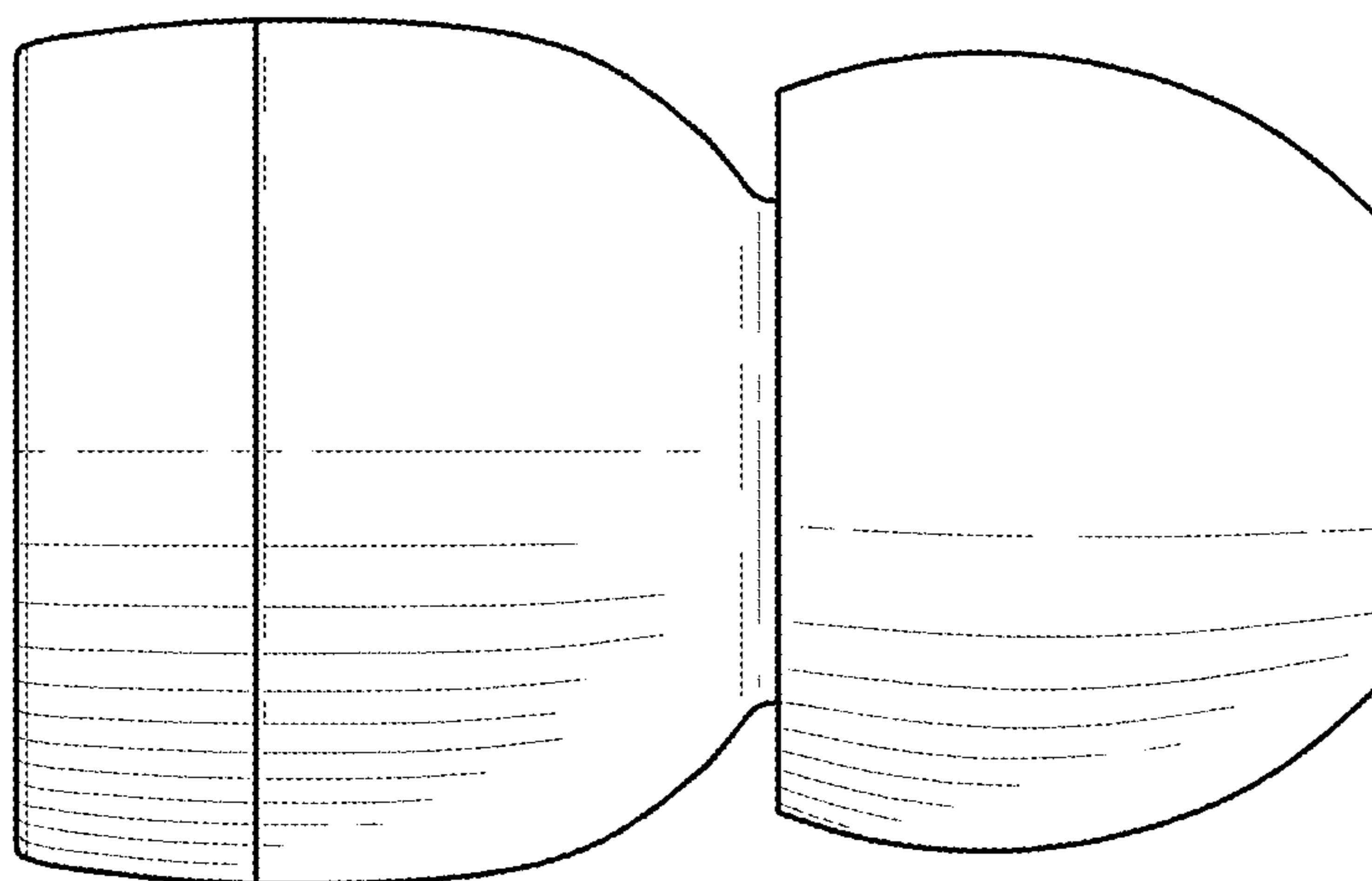


FIG. 13

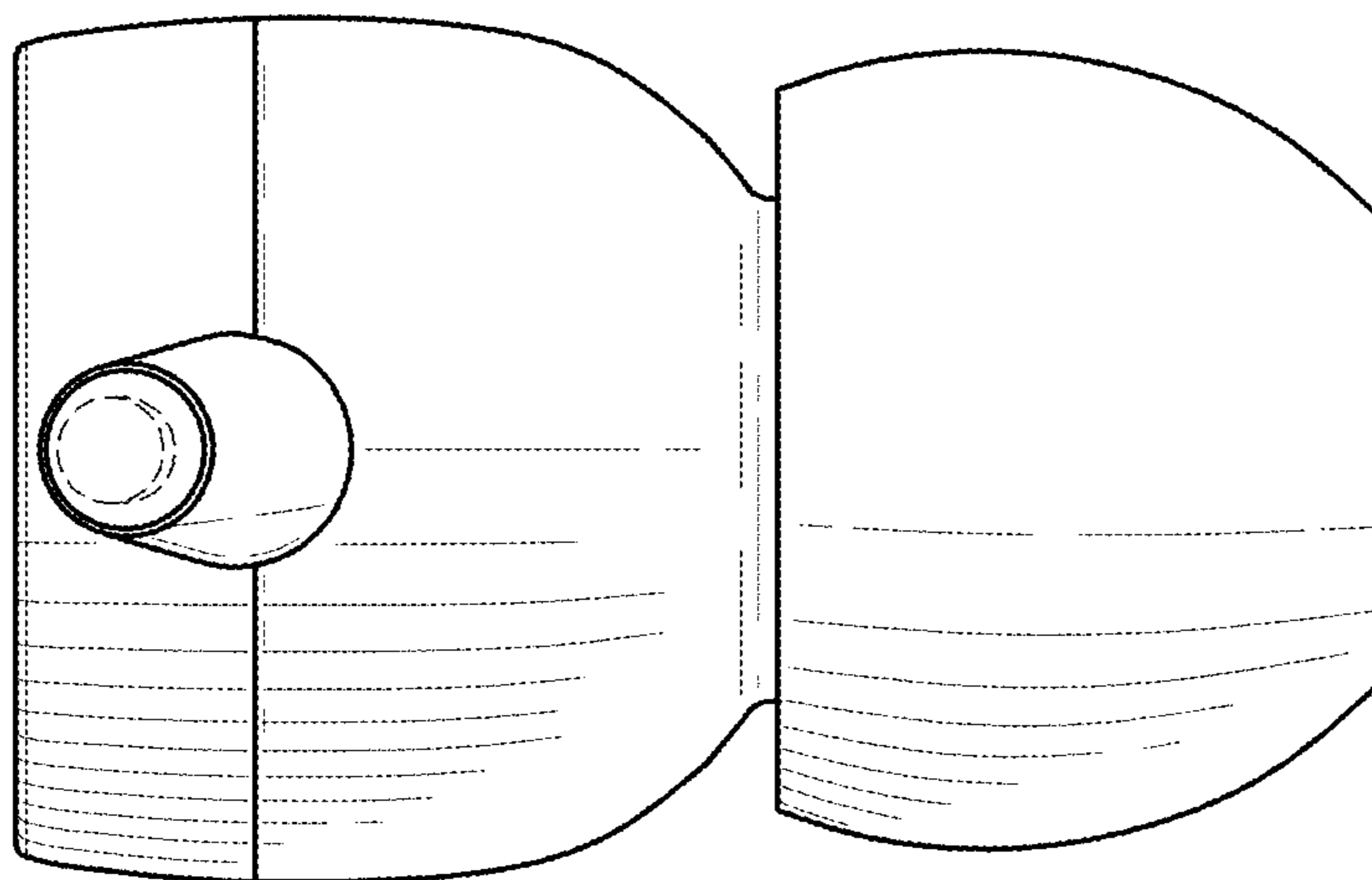


FIG. 14