



US00D719546S

(12) **United States Design Patent**
Fan et al.

(10) **Patent No.:** **US D719,546 S**
(45) **Date of Patent:** **** Dec. 16, 2014**

(54) **CAR STEREO**

(75) Inventors: **Yuqiang Fan**, Guangdong (CN); **Hong Zou**, Guangdong (CN)

(73) Assignee: **Huizhou Foryou General Electronics Co., Ltd.**, Huizhou, Guangdong (CN)

(**) Term: **14 Years**

(21) Appl. No.: **29/424,803**

(22) Filed: **Jun. 15, 2012**

(30) **Foreign Application Priority Data**

Mar. 16, 2012 (CN) 2012 3 0062714

(51) **LOC (10) Cl.** **14-03**

(52) **U.S. Cl.**
USPC **D14/188**

(58) **Field of Classification Search**

USPC D13/103, 106, 184; D14/132, 133, 137,
D14/138 AB, 155, 188, 193, 196, 203.4,
D14/210, 211, 213, 214, 221, 242, 243, 257,
D14/258, 265, 315, 321, 345, 348, 351, 353,
D14/358, 433, 496, 498, 500-503; D26/72,
D26/104, 118; 359/258; 375/222; 379/25,
379/93.09, 93.19, 156, 220.01, 221.09, 338,
379/339, 441; 455/557; 711/100, 115;
720/270, 658, 691; 725/111

See application file for complete search history.

(56) **References Cited**

U.S. PATENT DOCUMENTS

D489,321 S * 5/2004 Krieger et al. D13/108
D522,489 S * 6/2006 Yoshihara D14/157
D590,809 S * 4/2009 Thusbass D14/188
D633,071 S * 2/2011 Tomono D14/157
D633,074 S * 2/2011 Tomono D14/157
D656,933 S * 4/2012 Samuel et al. D14/258

D666,615 S * 9/2012 Samuel et al. D14/258
D671,520 S * 11/2012 Kanou D14/157
D672,743 S * 12/2012 Suzuki et al. D14/157
D701,198 S * 3/2014 Kanou D14/258

OTHER PUBLICATIONS

Oxygen Audio O'Car car stereo, announced Nov. 2010, [online], site visited Apr. 30, 2014. Available from Internet, <URL: <http://www.cnet.com>>.*

* cited by examiner

Primary Examiner — Stella Reid

Assistant Examiner — Janice Lim

(74) *Attorney, Agent, or Firm* — Tianhua Gu; Global IP Services

(57) **CLAIM**

The ornamental design for a car stereo, as shown and described.

DESCRIPTION

FIG. 1 is a front perspective view of a car stereo, showing our new design;

FIG. 2 is a front perspective view thereof, shown with a portable phone in the environmental use;

FIG. 3 is a front elevation view thereof;

FIG. 4 is a rear elevation view thereof;

FIG. 5 is a top plan view thereof;

FIG. 6 is a bottom plan view thereof;

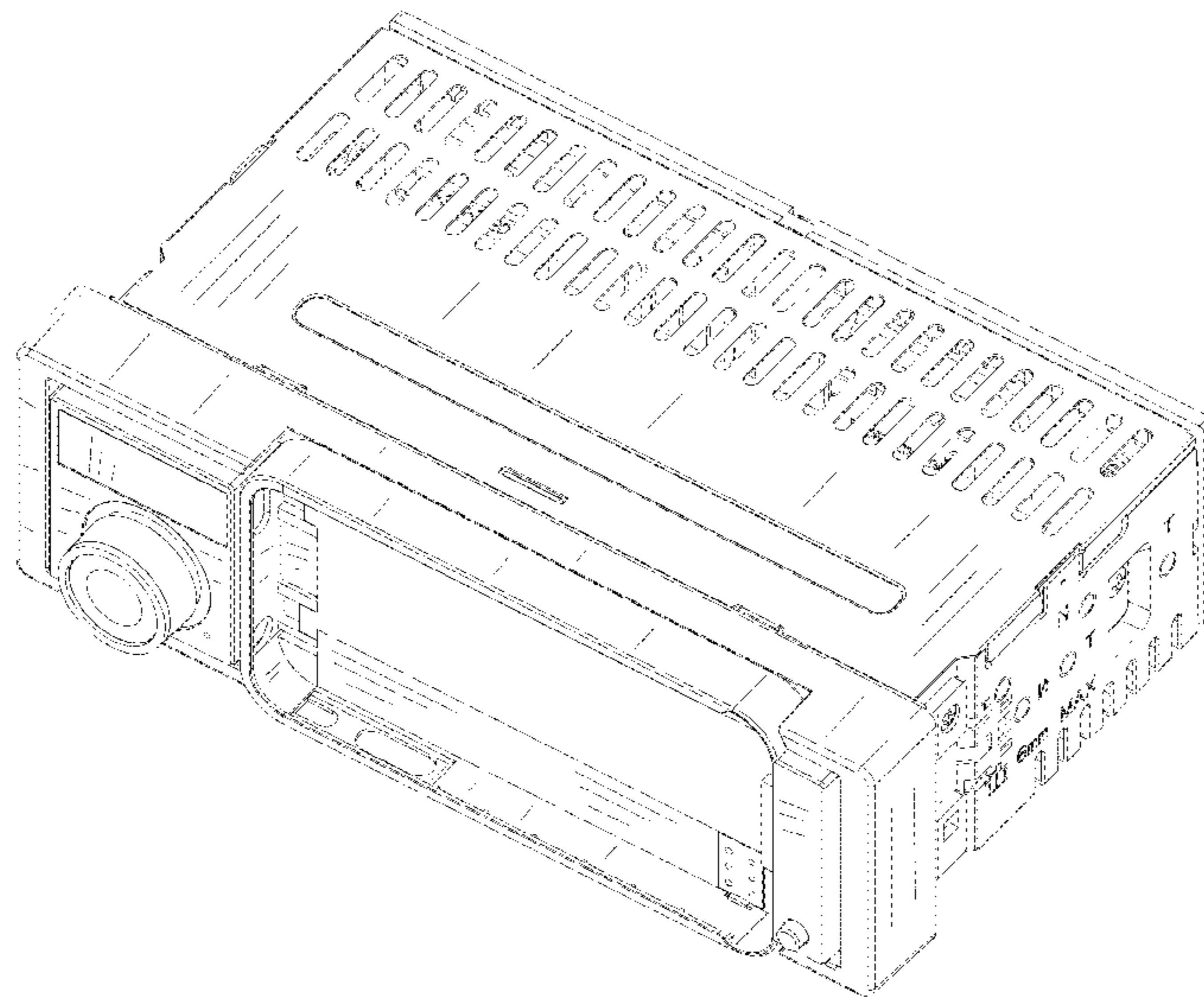
FIG. 7 is a left side elevation view thereof; and,

FIG. 8 is a right side elevation view thereof.

The car stereo has a front chamber for holding a portable phone which can transfer received calls to the car stereo except common functions.

The broken line portions of FIGS. 1, 2, and 4-8 are included to show unclaimed subject matter only and form no part of the claimed design.

1 Claim, 6 Drawing Sheets



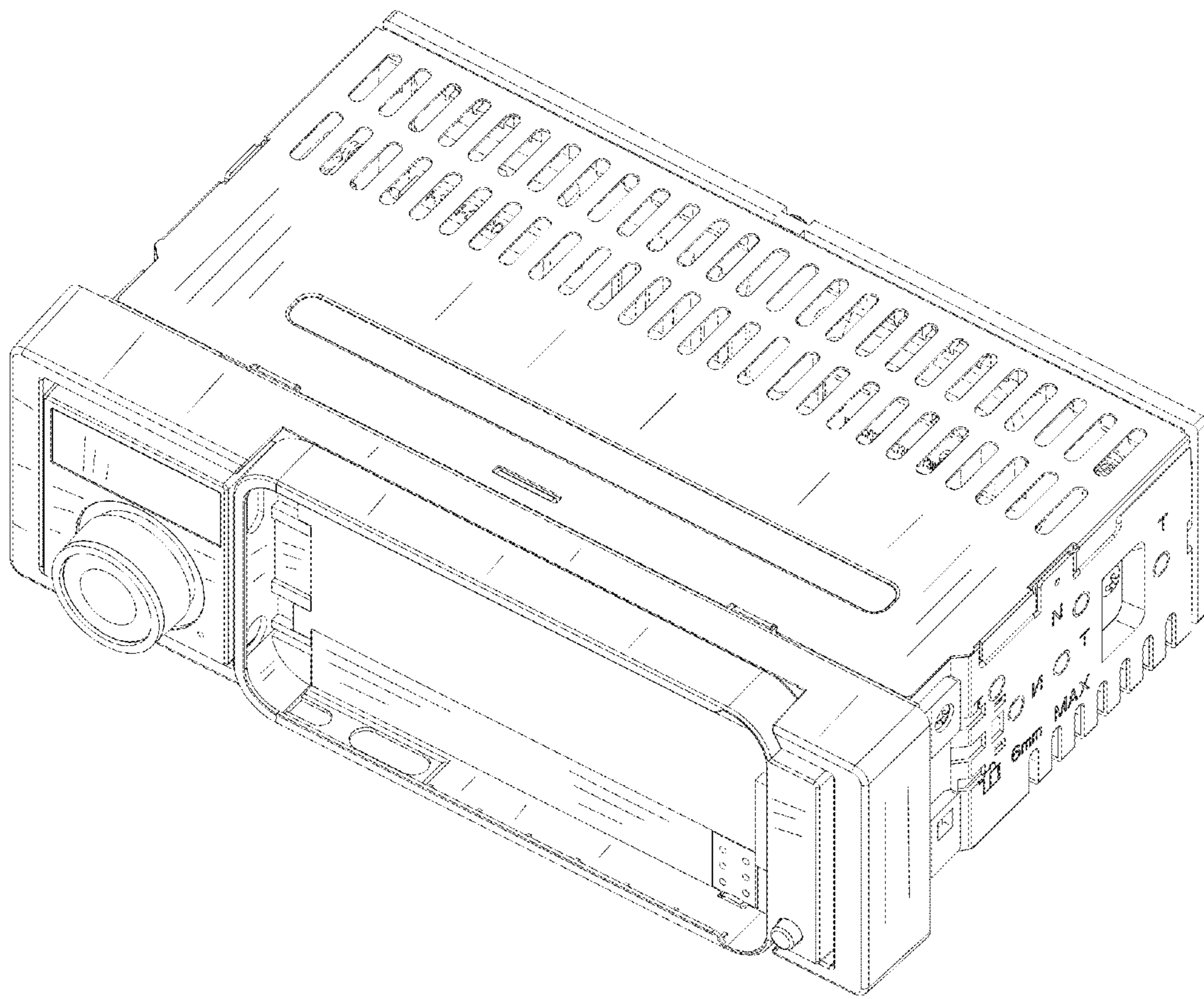


Fig. 1

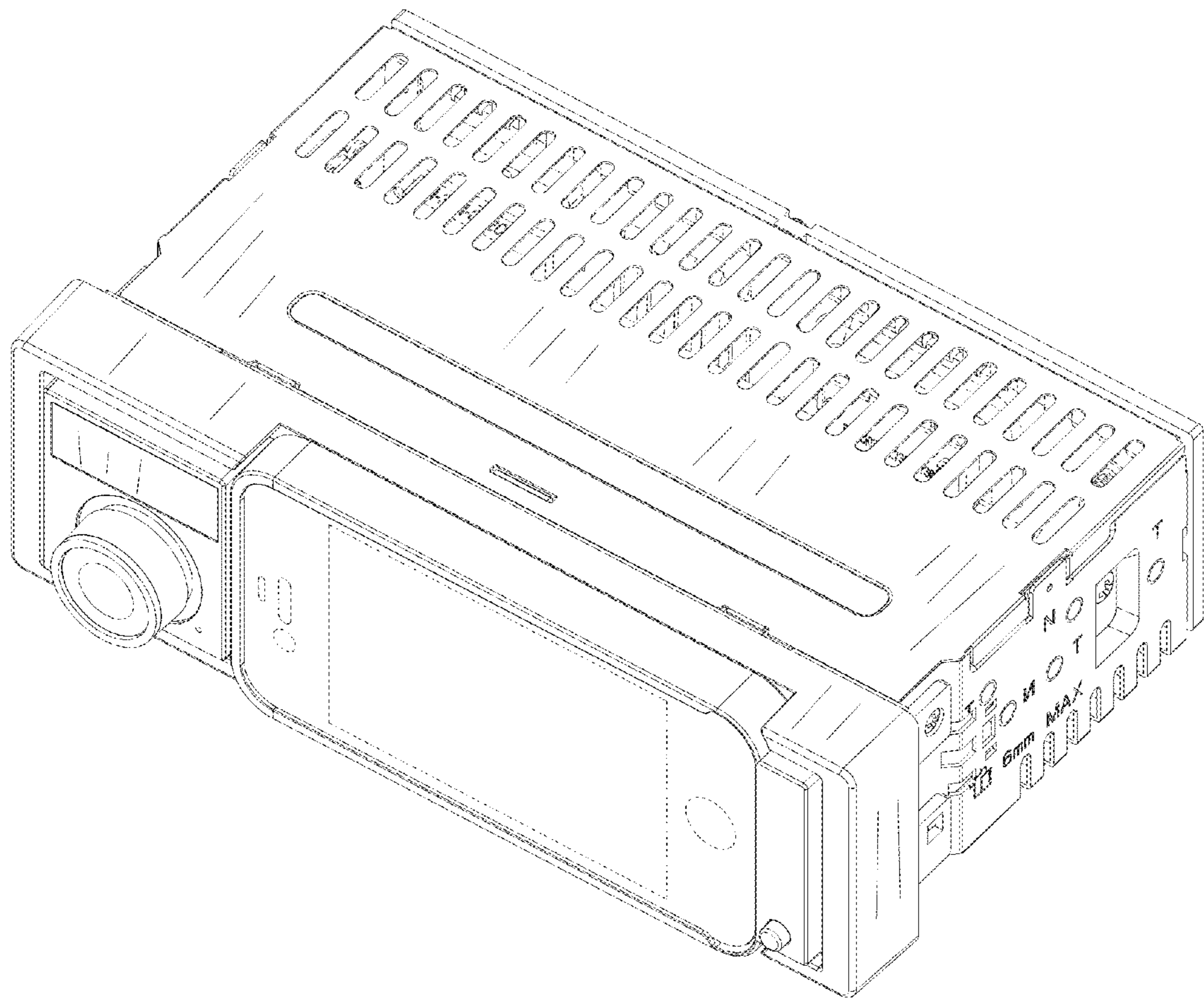


Fig. 2

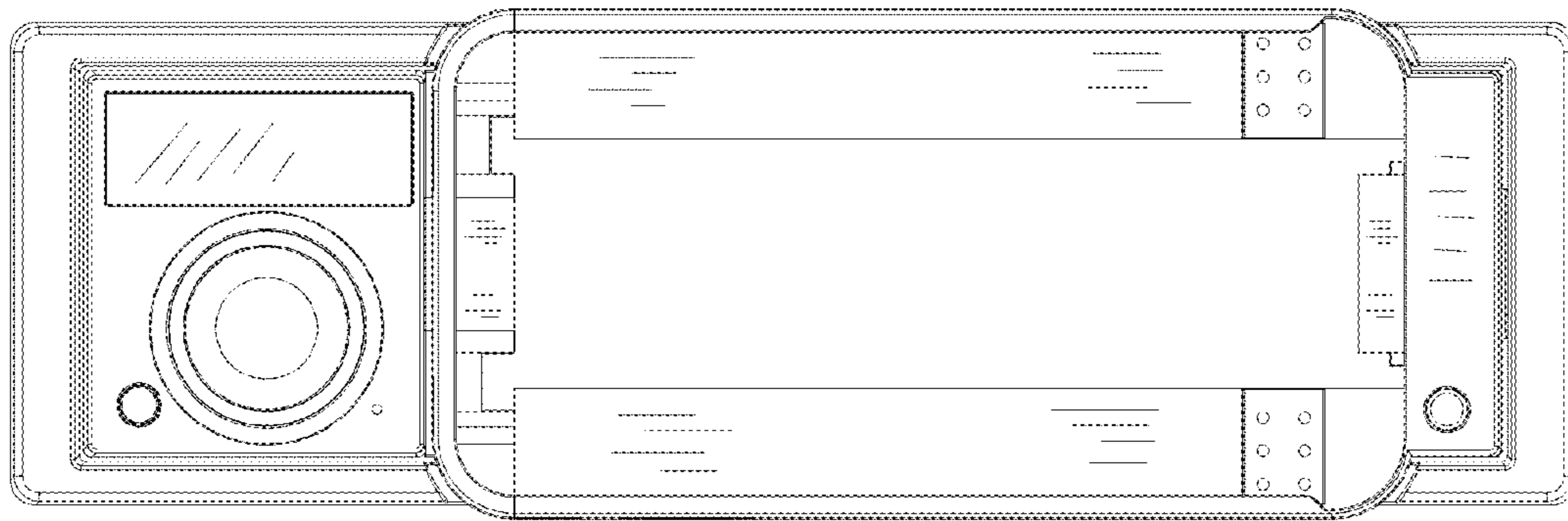


Fig. 3

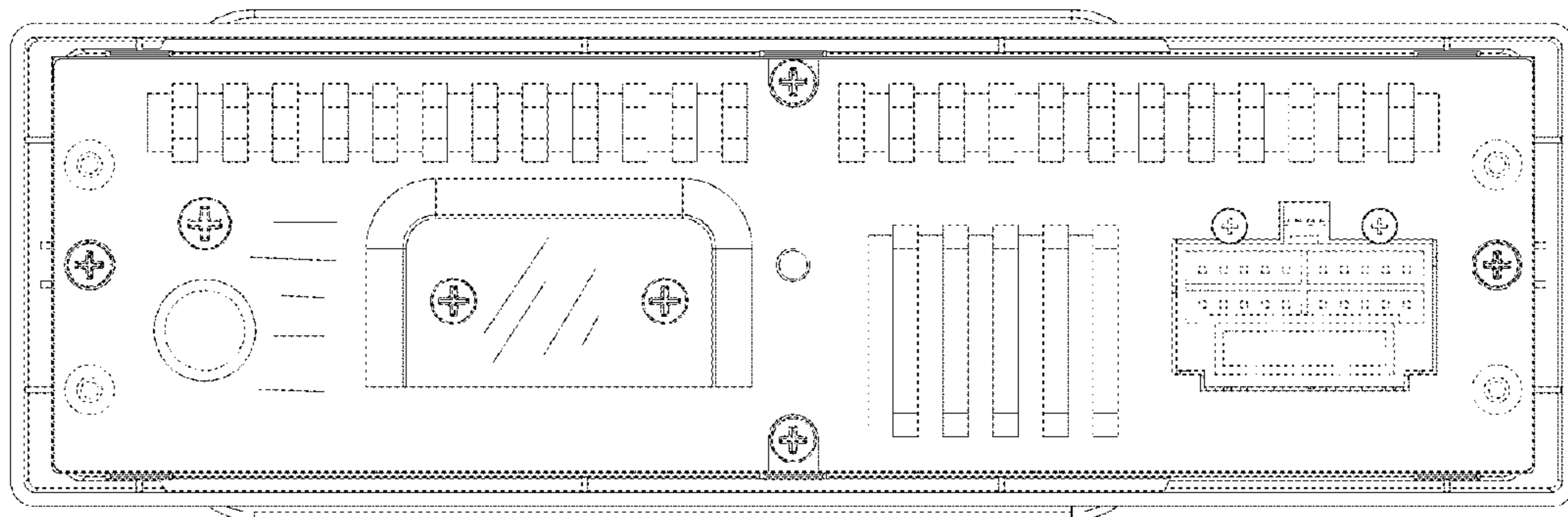


Fig. 4

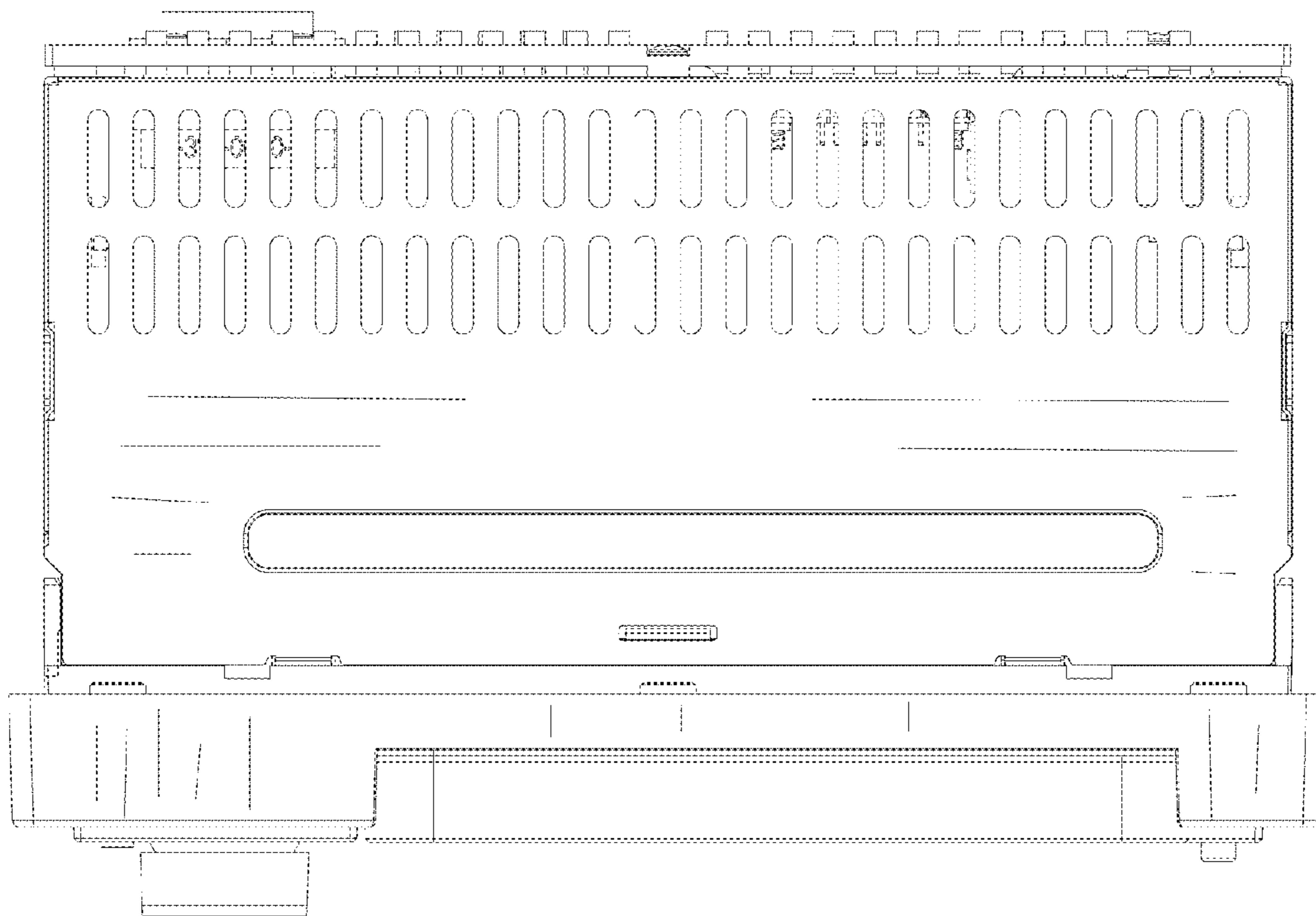


Fig. 5

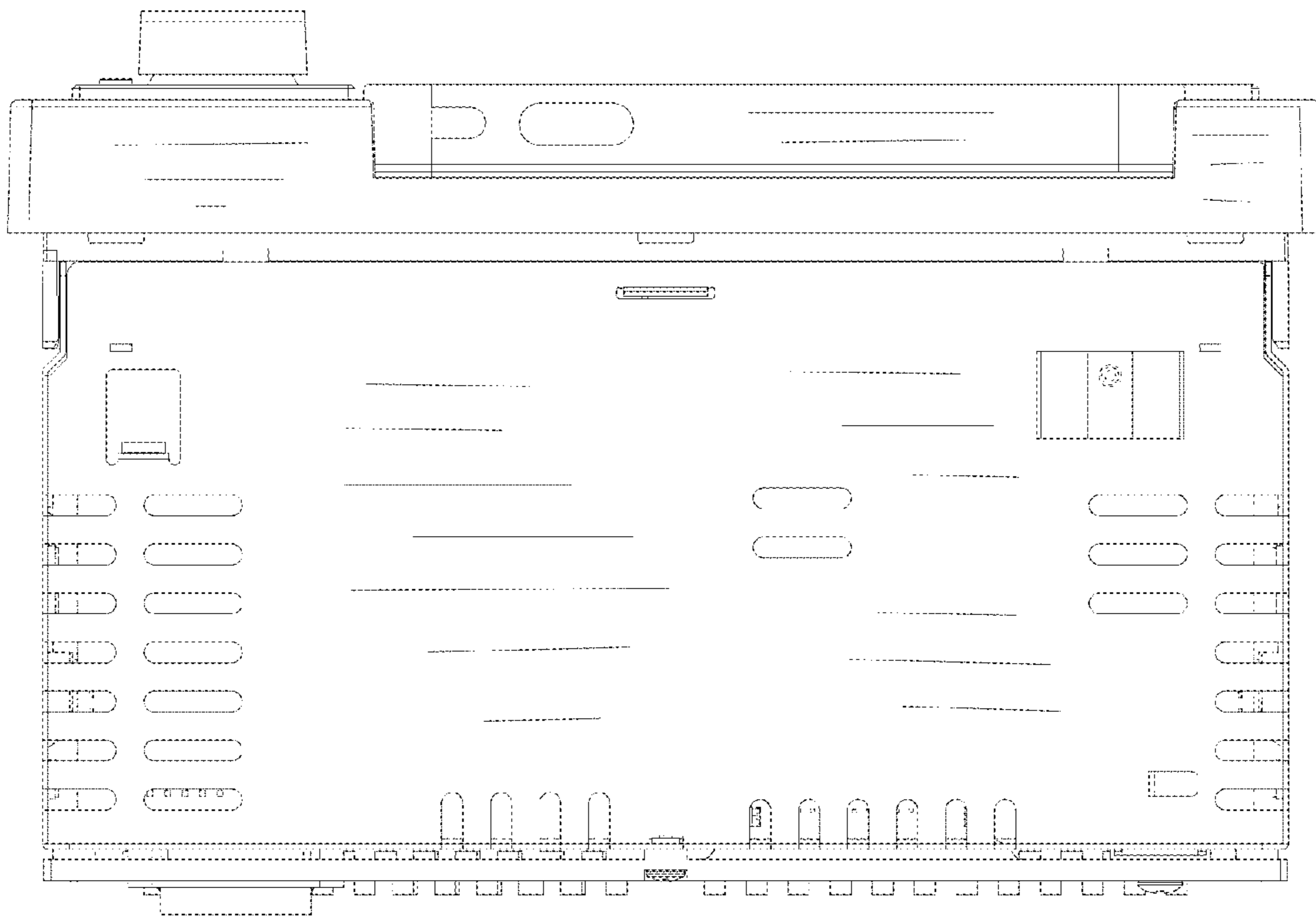


Fig. 6

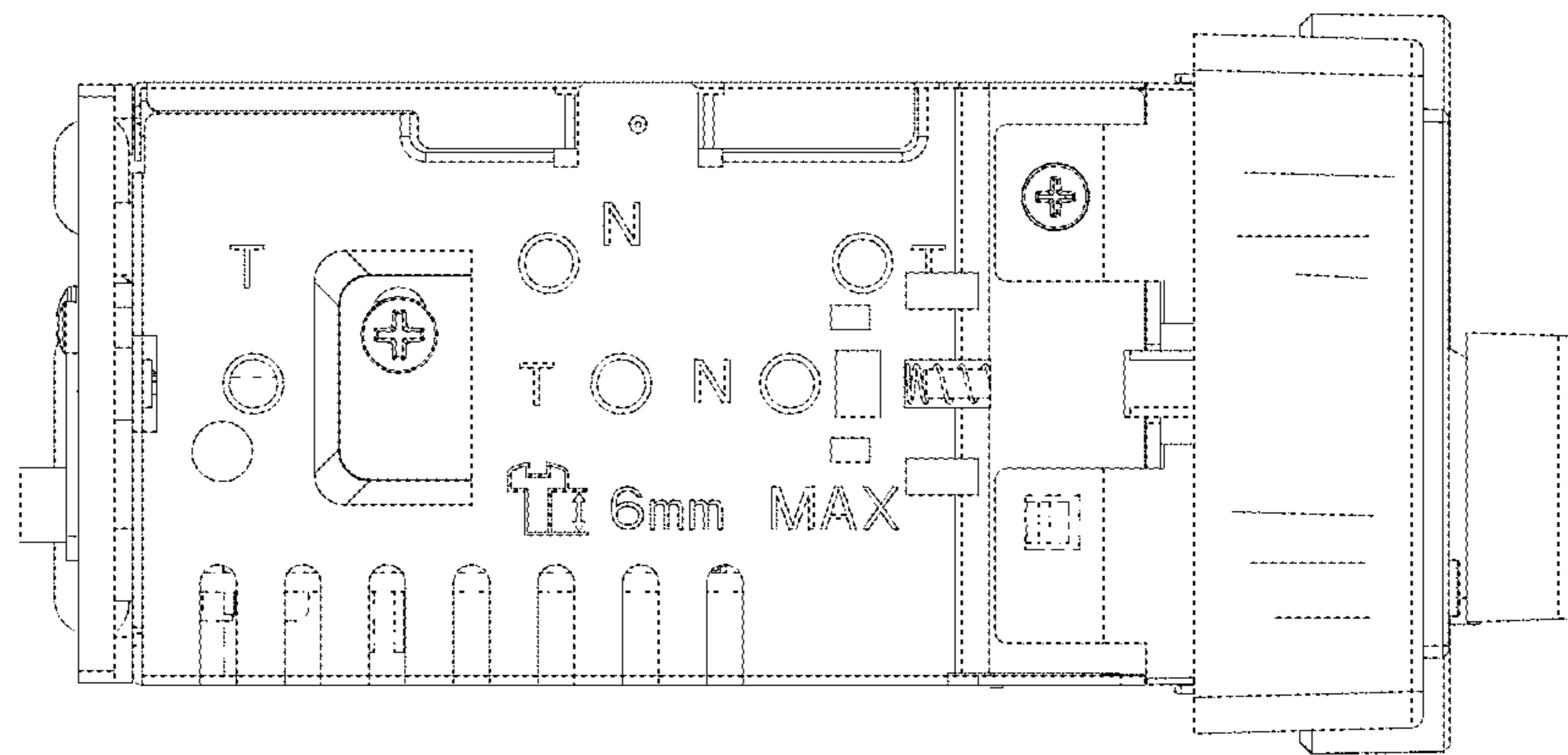


Fig. 7

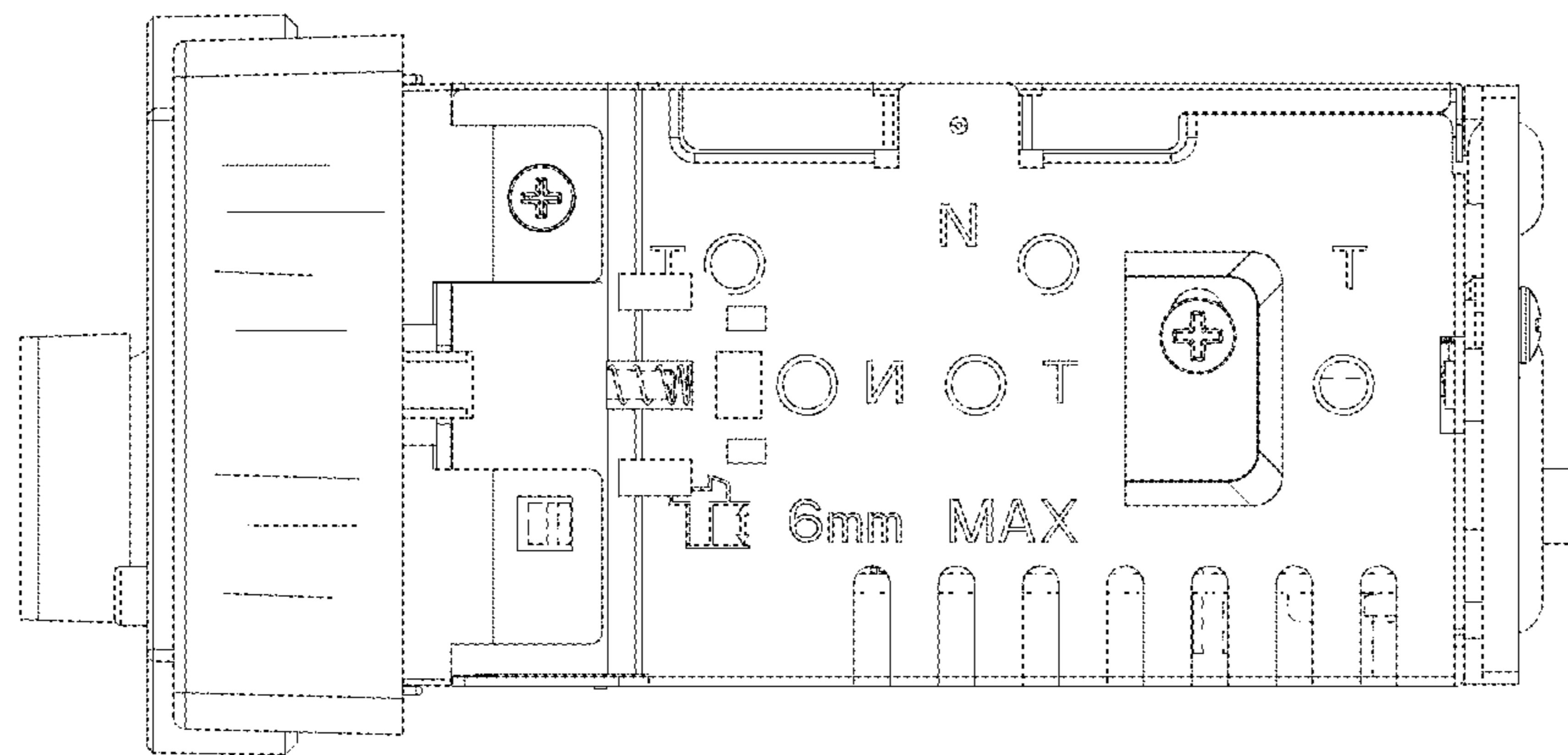


Fig. 8