



US00D719543S

(12) **United States Design Patent**
Ookawa

(10) **Patent No.:** **US D719,543 S**

(45) **Date of Patent:** **** *Dec. 16, 2014**

(54) **TELEPHONE BASE UNIT**

(71) Applicant: **Panasonic Corporation**, Kadoma-shi,
Osaka (JP)

(72) Inventor: **Takayuki Ookawa**, Osaka (JP)

(73) Assignee: **Panasonic Corporation**, Osaka (JP)

(*) Notice: This patent is subject to a terminal disclaimer.

(**) Term: **14 Years**

(21) Appl. No.: **29/470,272**

(22) Filed: **Oct. 18, 2013**

(51) **LOC (10) Cl.** **14-03**

(52) **U.S. Cl.**
USPC **D14/140.8**

(58) **Field of Classification Search**
USPC D14/142, 140.7, 140.8, 144, 149, 150,
D14/151, 155, 158, 159, 170-172, 188,
D14/209.1, 214, 217, 226, 229, 243, 240,
D14/251-253, 399, 329, 434, 447, 137, 138,
D14/147, 191, 218, 247-248, 341-347,
D14/496; D21/517; 455/557, 573, 575.1,
455/74.1; 710/303; D13/168; D10/65, 78,
D10/104; D24/169; D18/7

See application file for complete search history.

(56) **References Cited**

U.S. PATENT DOCUMENTS

- D282,853 S * 3/1986 Yoshioka et al. D18/7
- D299,646 S * 1/1989 Stierwalt D14/250
- D301,236 S * 5/1989 Suzui et al. D14/142
- D302,815 S 8/1989 Goatman
- D328,091 S * 7/1992 Takahata D18/7
- D355,186 S * 2/1995 Danielson et al. D14/186
- D355,187 S * 2/1995 Danielson et al. D14/141.1
- D359,490 S 6/1995 Arakaki et al.
- 6,049,701 A * 4/2000 Sparksman 455/74.1

- D457,868 S 5/2002 Shintani
- D463,389 S * 9/2002 Stafford-Fraser D14/151
- D482,341 S 11/2003 Jauregui et al.

(Continued)

OTHER PUBLICATIONS

AT&T, Advanced American Telephones, "TL92273," obtained from the Internet address <http://telephones.att.com/products/product_detail/2397> on Sep. 12, 2013, 2 pages.

Primary Examiner — Susan Bennett Hattan

Assistant Examiner — Marie Fast Horse

(74) *Attorney, Agent, or Firm* — Brinks Gilson & Lione

(57) **CLAIM**

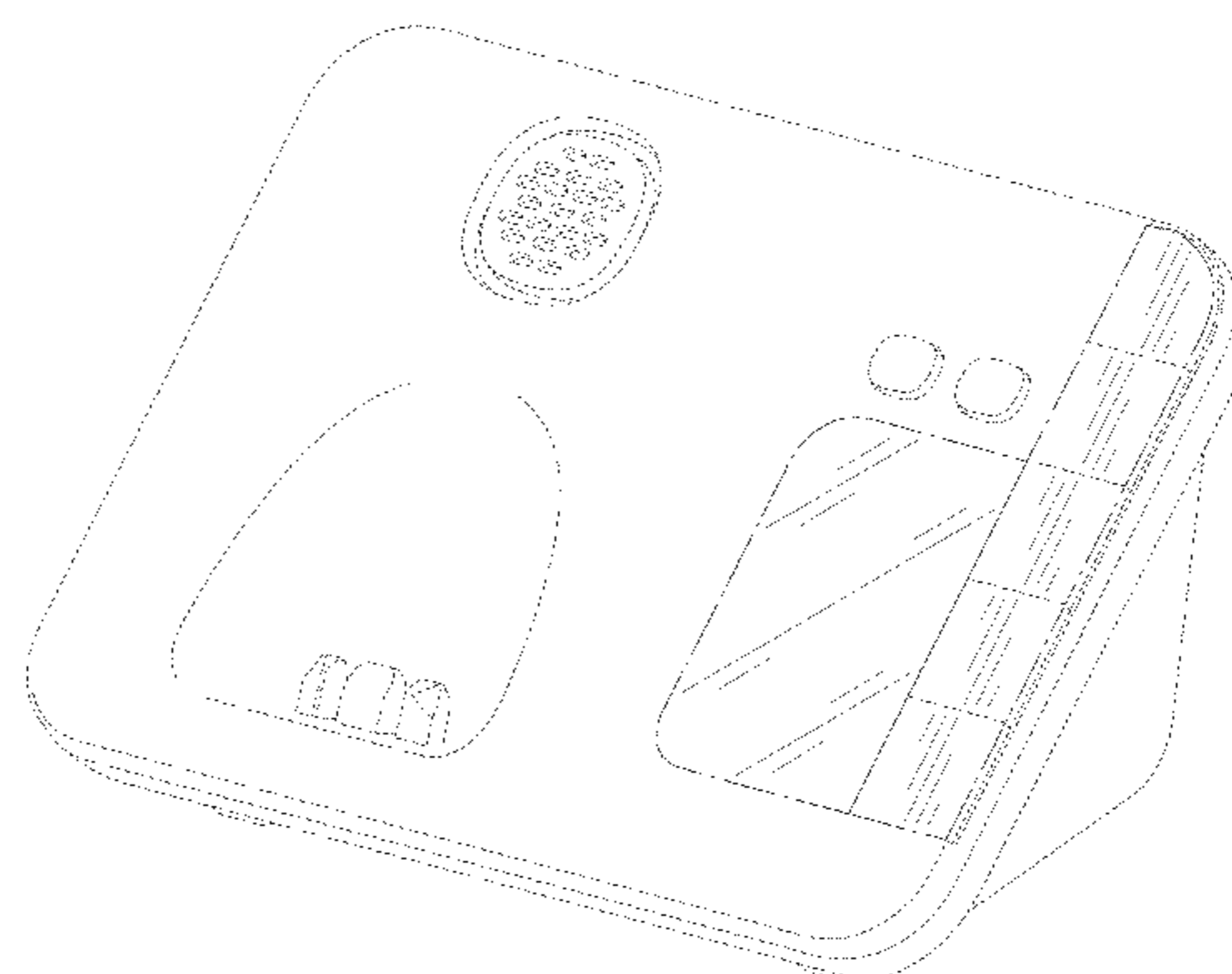
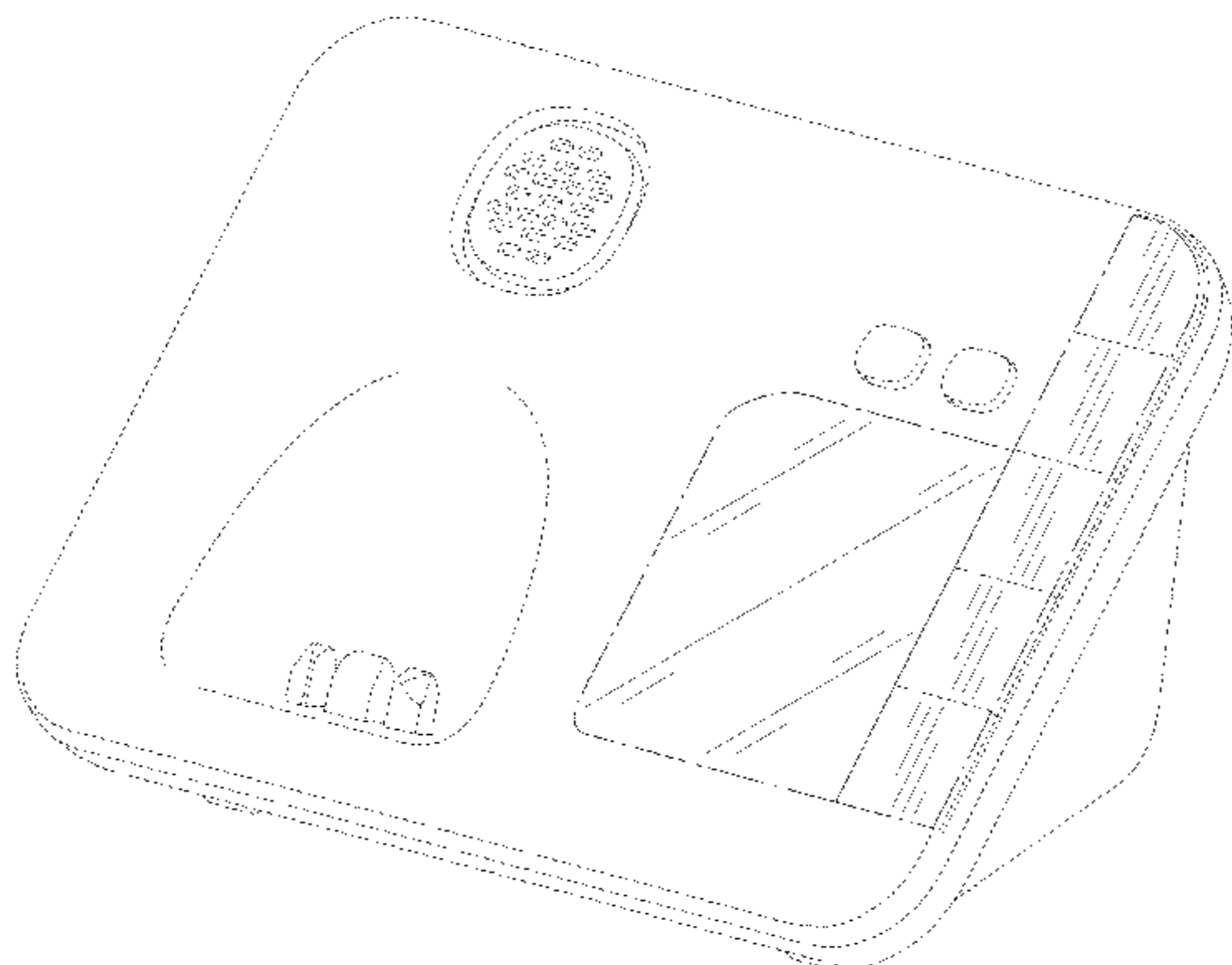
I claim the ornamental design for a telephone base unit, as shown and described.

DESCRIPTION

FIG. 1 is a front perspective view of a first embodiment of a telephone base unit of the present invention;
 FIG. 2 is a front view thereof;
 FIG. 3 is a rear view thereof;
 FIG. 4 is a first side view thereof;
 FIG. 5 is a second side view thereof;
 FIG. 6 is a top view thereof;
 FIG. 7 is a bottom view thereof;
 FIG. 8 is a front perspective view of a second embodiment of a telephone base unit of the present invention;
 FIG. 9 is a front view thereof;
 FIG. 10 is a rear view thereof;
 FIG. 11 is a first side view thereof;
 FIG. 12 is a second side view thereof;
 FIG. 13 is a top view thereof; and,
 FIG. 14 is a bottom view thereof.

The broken lines shown represent environmental subject matter and form no part of the claimed design. Additionally, dash-dot broken lines in the drawings define the limits of the claimed design and form no part thereof.

1 Claim, 14 Drawing Sheets



(56)

References Cited

U.S. PATENT DOCUMENTS

D549,665 S * 8/2007 Chen D13/168
D550,644 S 9/2007 Cho et al.
D571,777 S 6/2008 Waterman et al.
D599,842 S * 9/2009 Palmer D18/7
D605,179 S * 12/2009 Rudolph et al. D14/218
D633,133 S * 2/2011 Takaghi D18/7
D638,375 S * 5/2011 Clymer et al. D13/168
D638,805 S * 5/2011 Clymer et al. D13/168

D641,718 S * 7/2011 Sakai D13/168
D649,124 S * 11/2011 Jacoby et al. D13/168
D665,383 S * 8/2012 McManigal et al. D14/218
D678,238 S 3/2013 Furuno et al.
D678,855 S * 3/2013 Shadovitz et al. D14/150
D679,261 S * 4/2013 McDonald et al. D13/168
D680,084 S * 4/2013 McDonald et al. D13/168
D684,574 S * 6/2013 Taunay da Graca
Couto D14/385
2014/0148216 A1* 5/2014 Kanai et al. 455/554.2

* cited by examiner

FIG.1

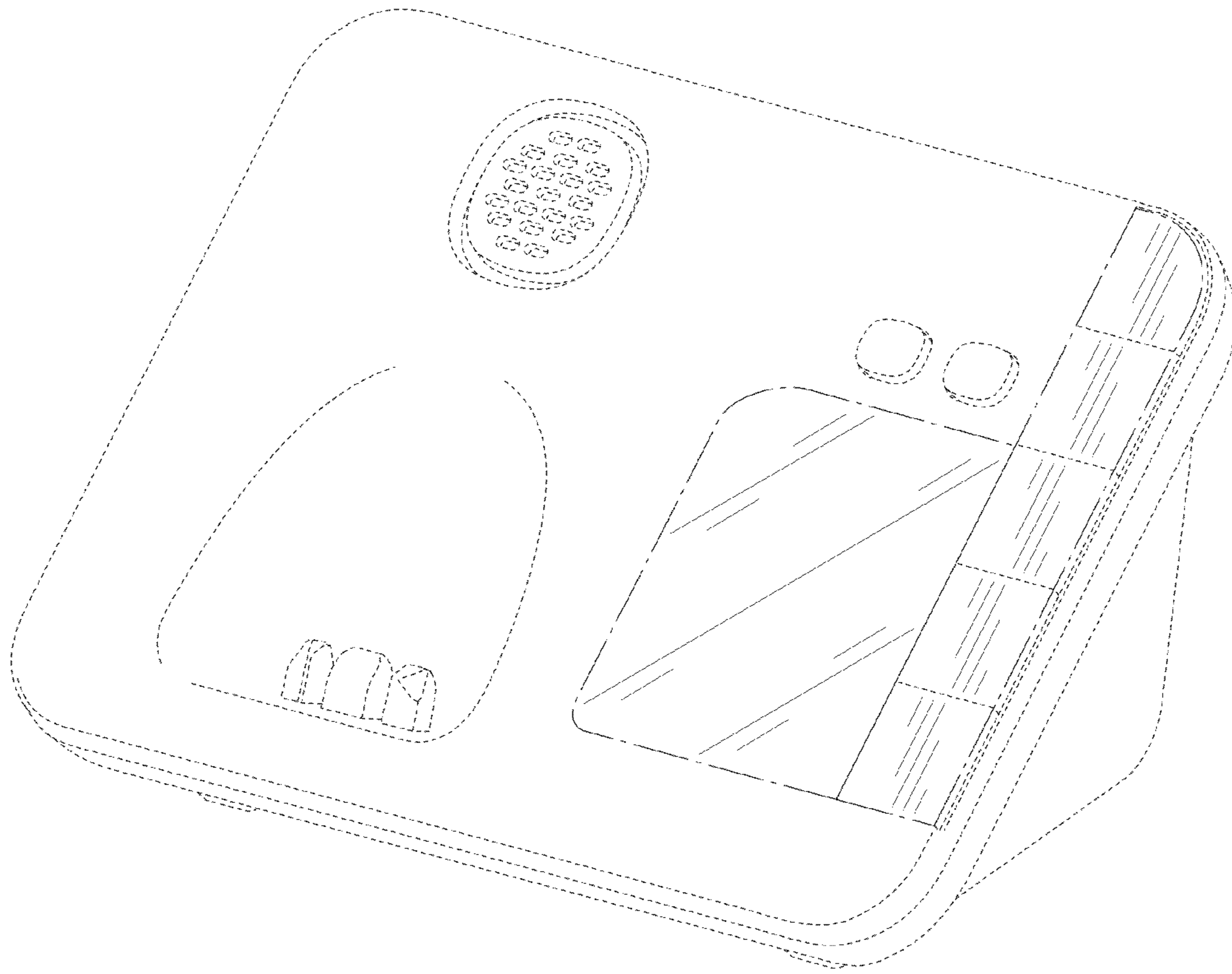


FIG.2

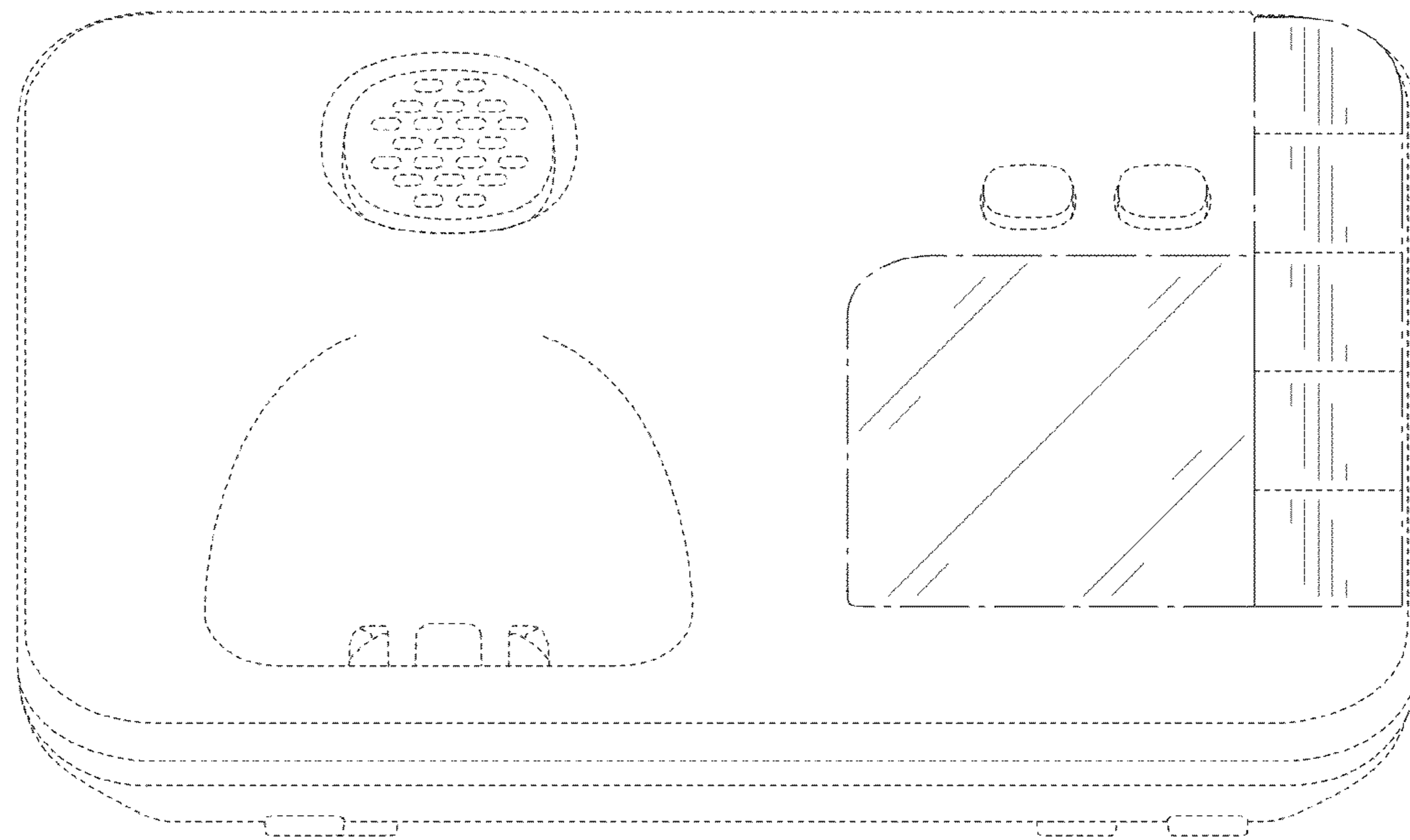


FIG.3



FIG.4

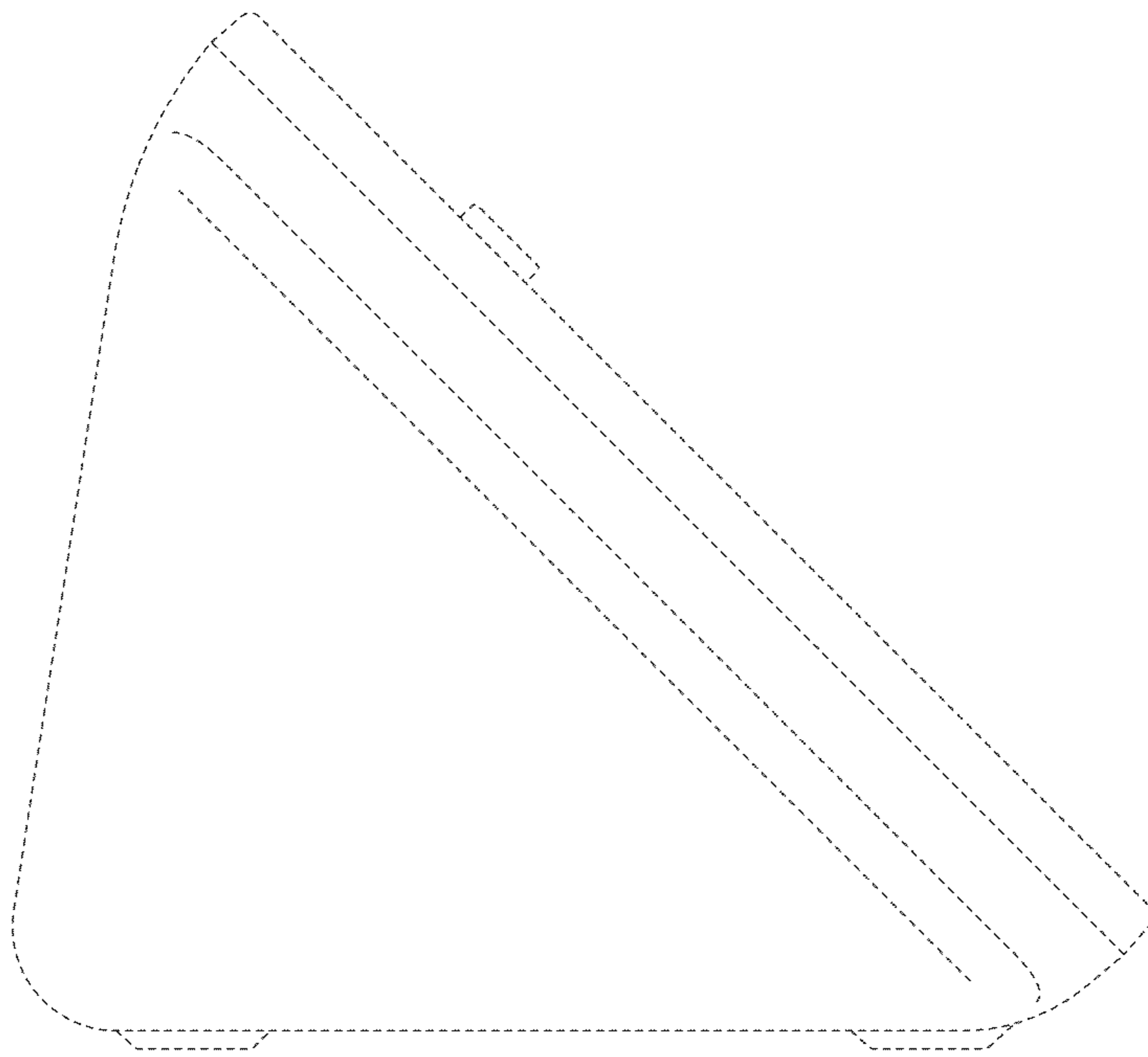


FIG.5

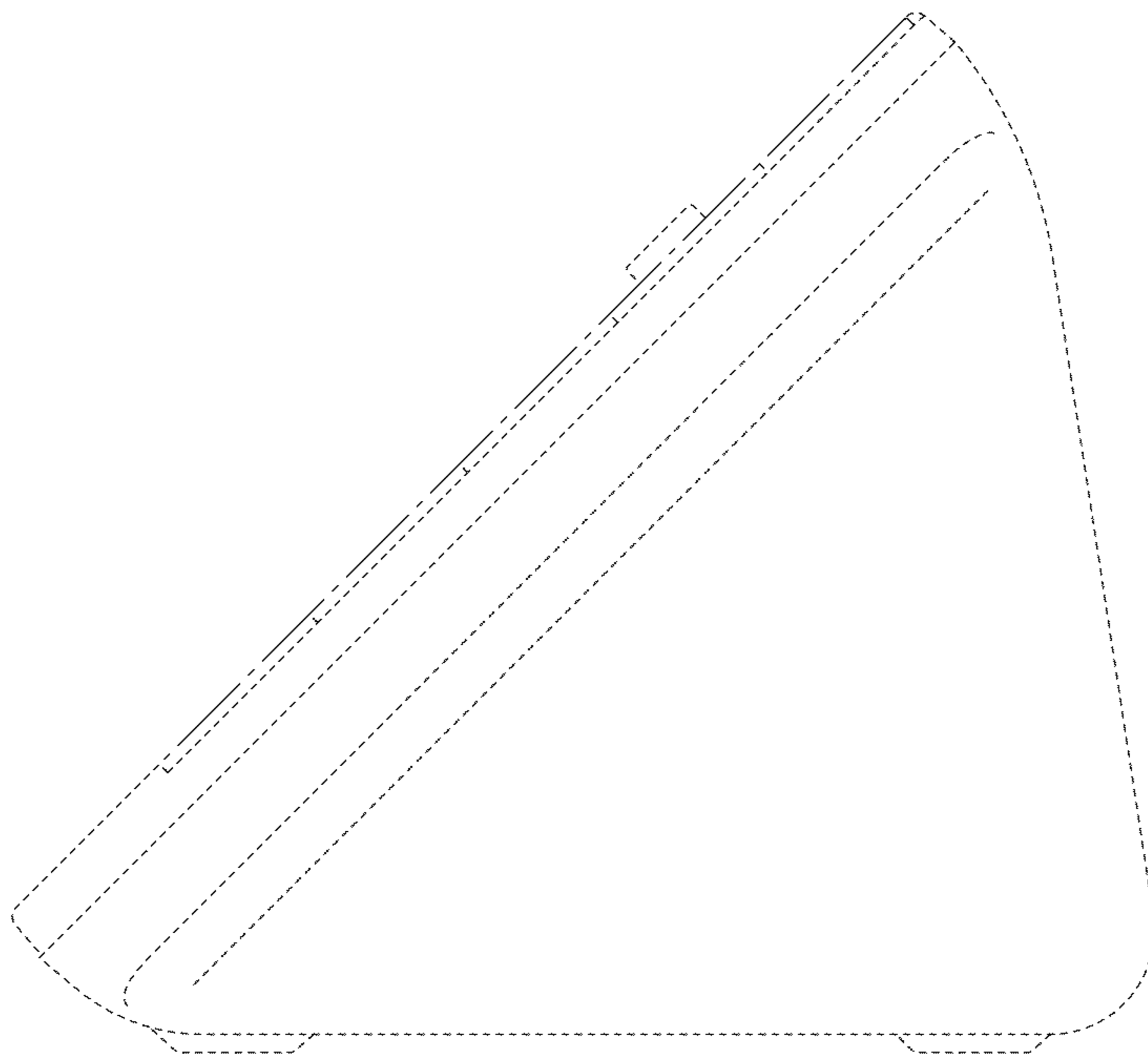


FIG.6

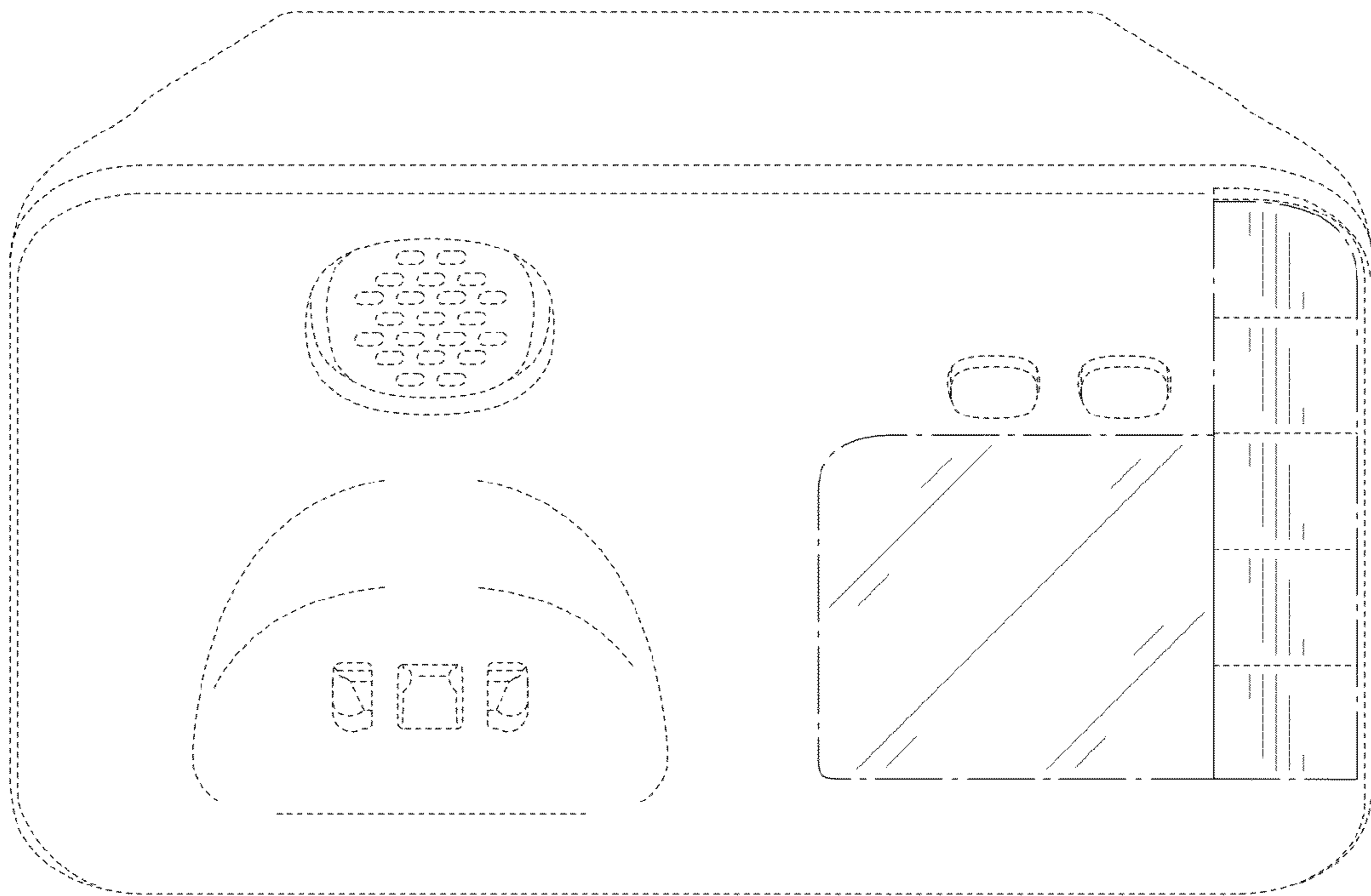


FIG.7

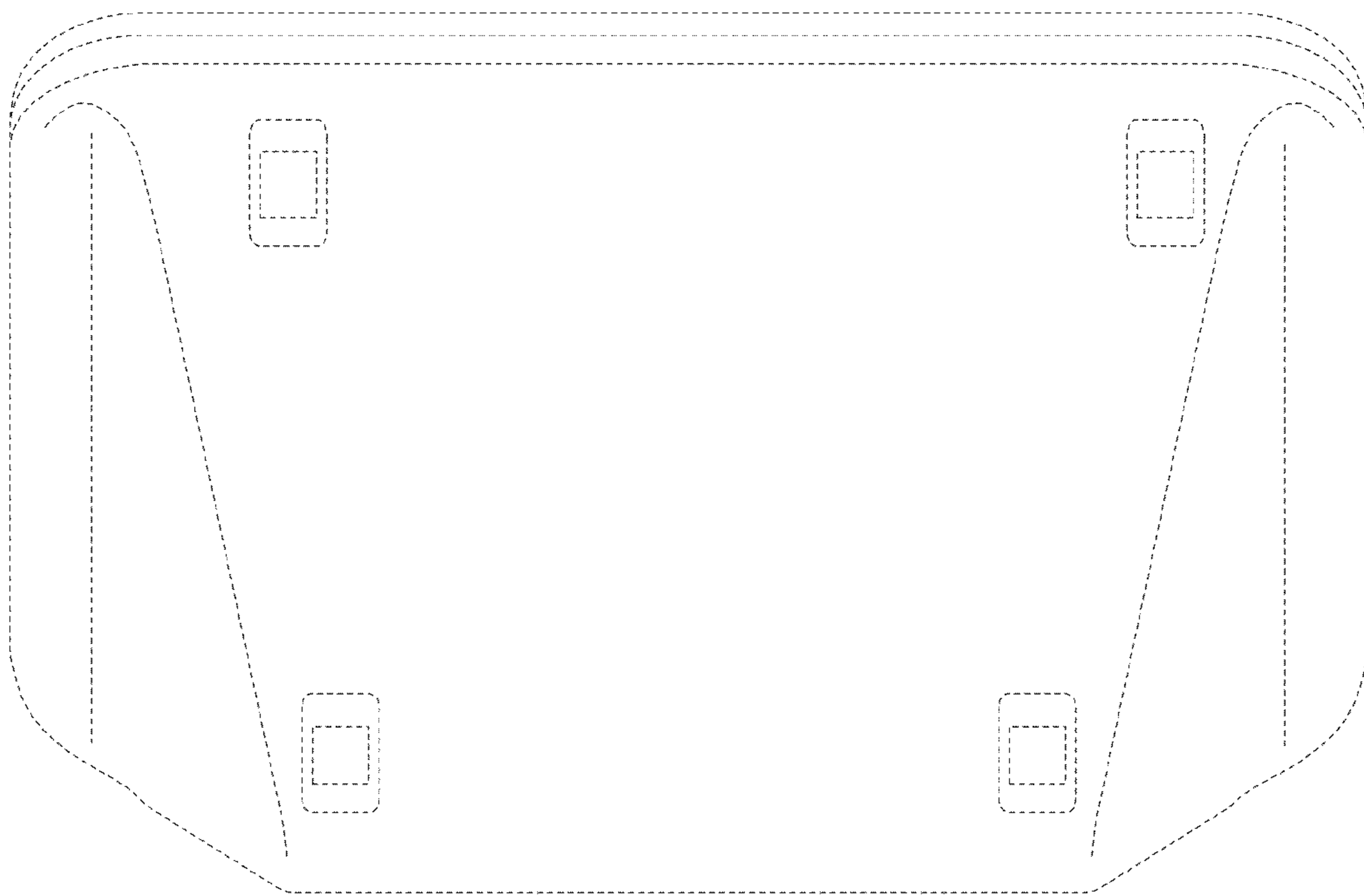


FIG.8

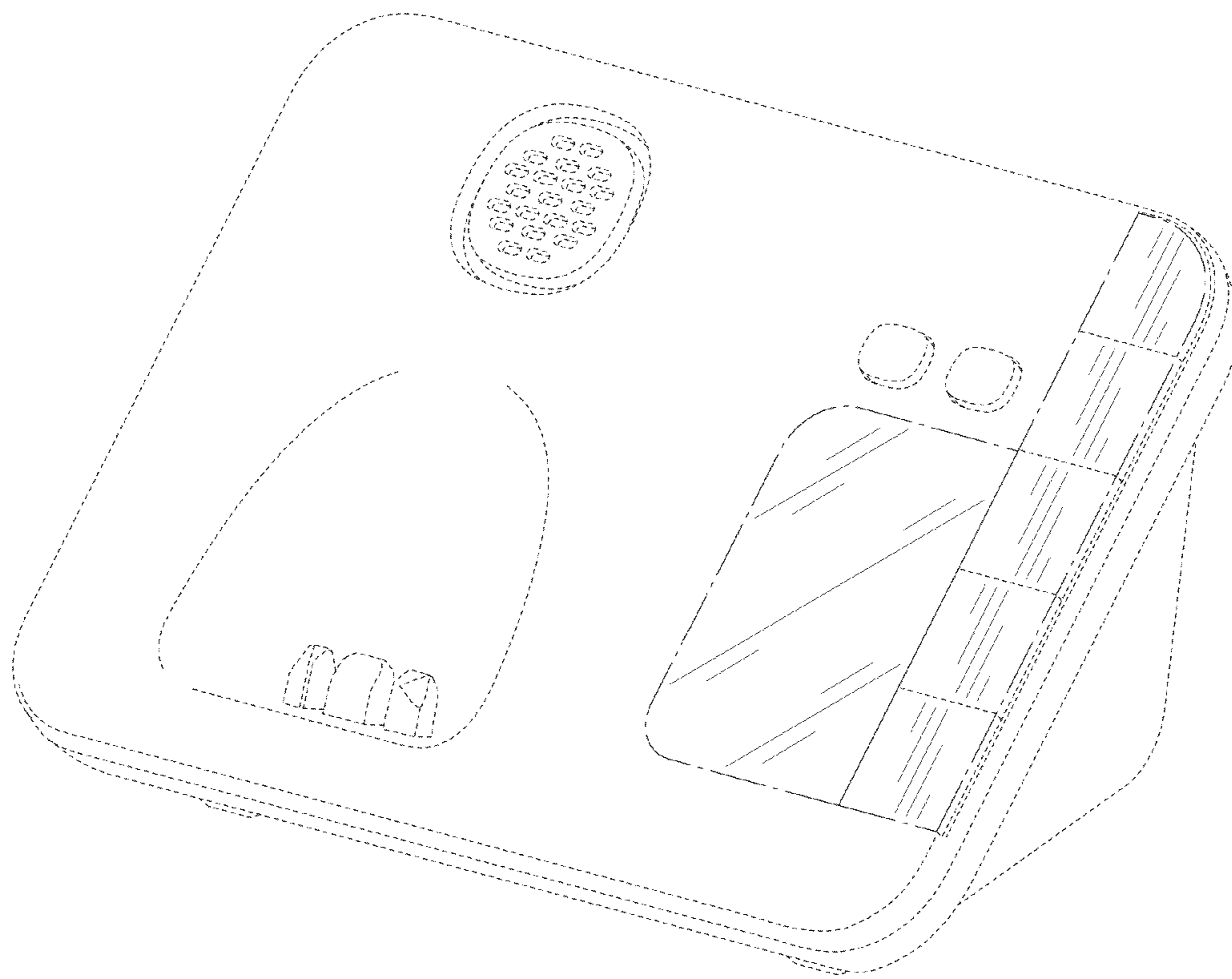


FIG.9

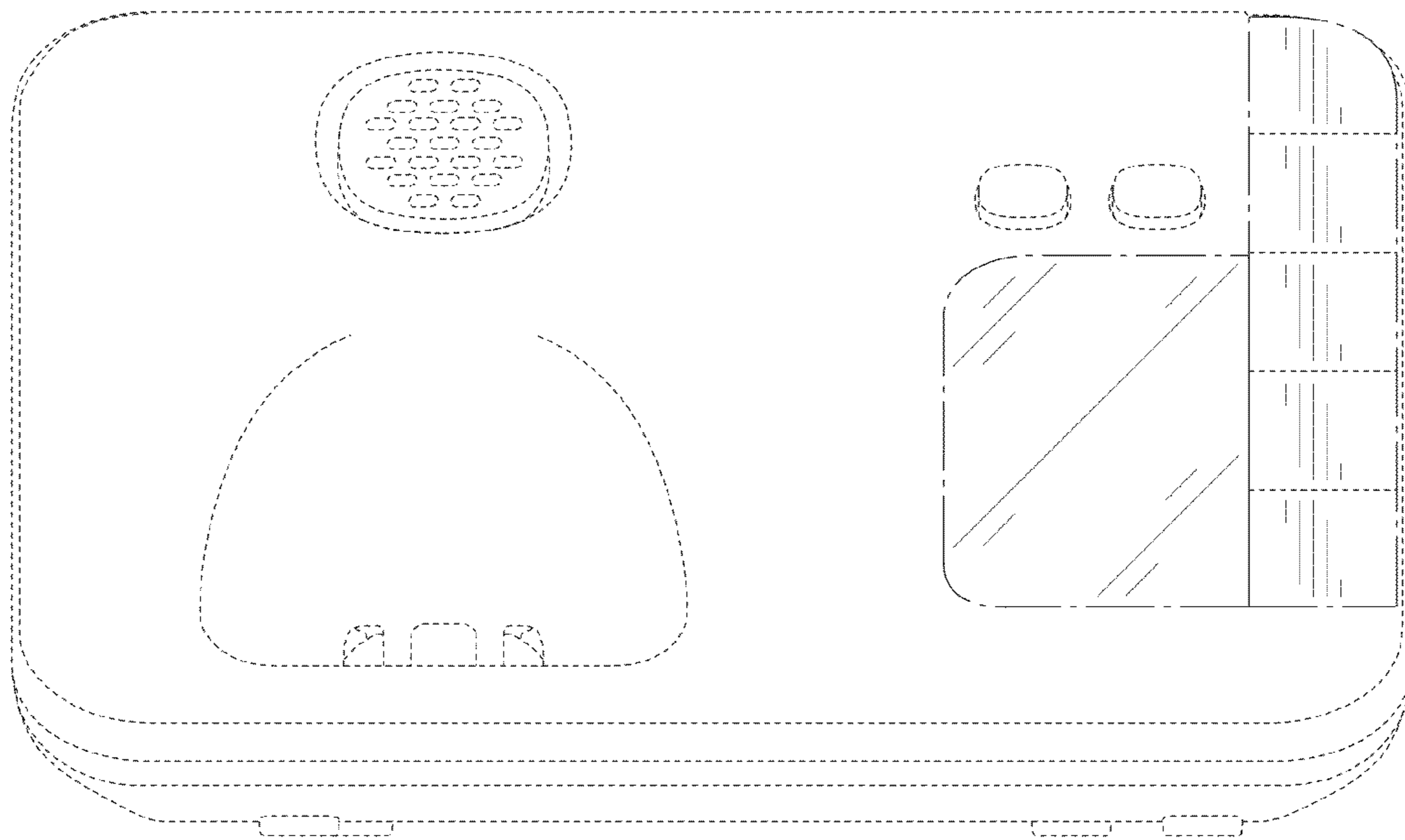


FIG.10

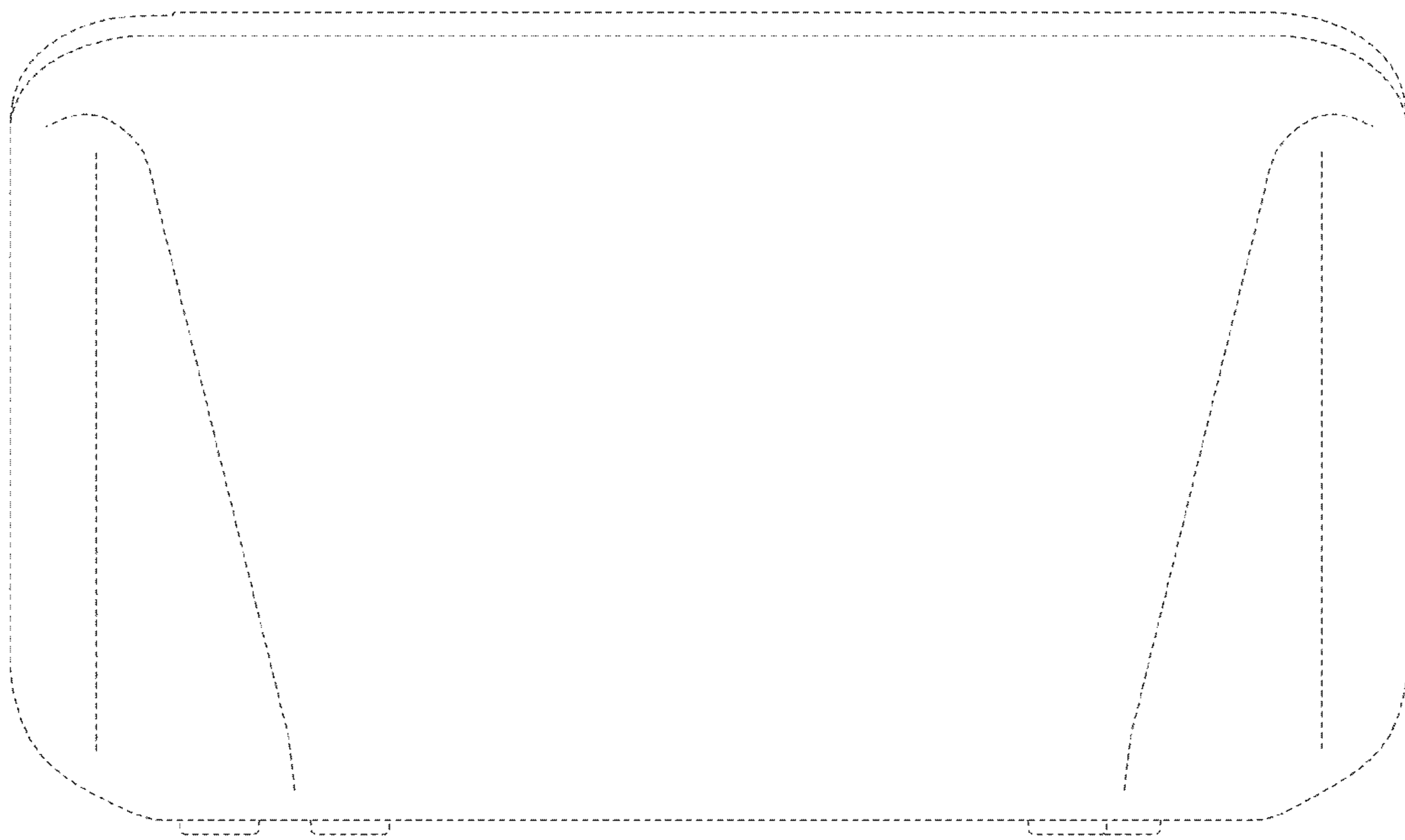


FIG. 11

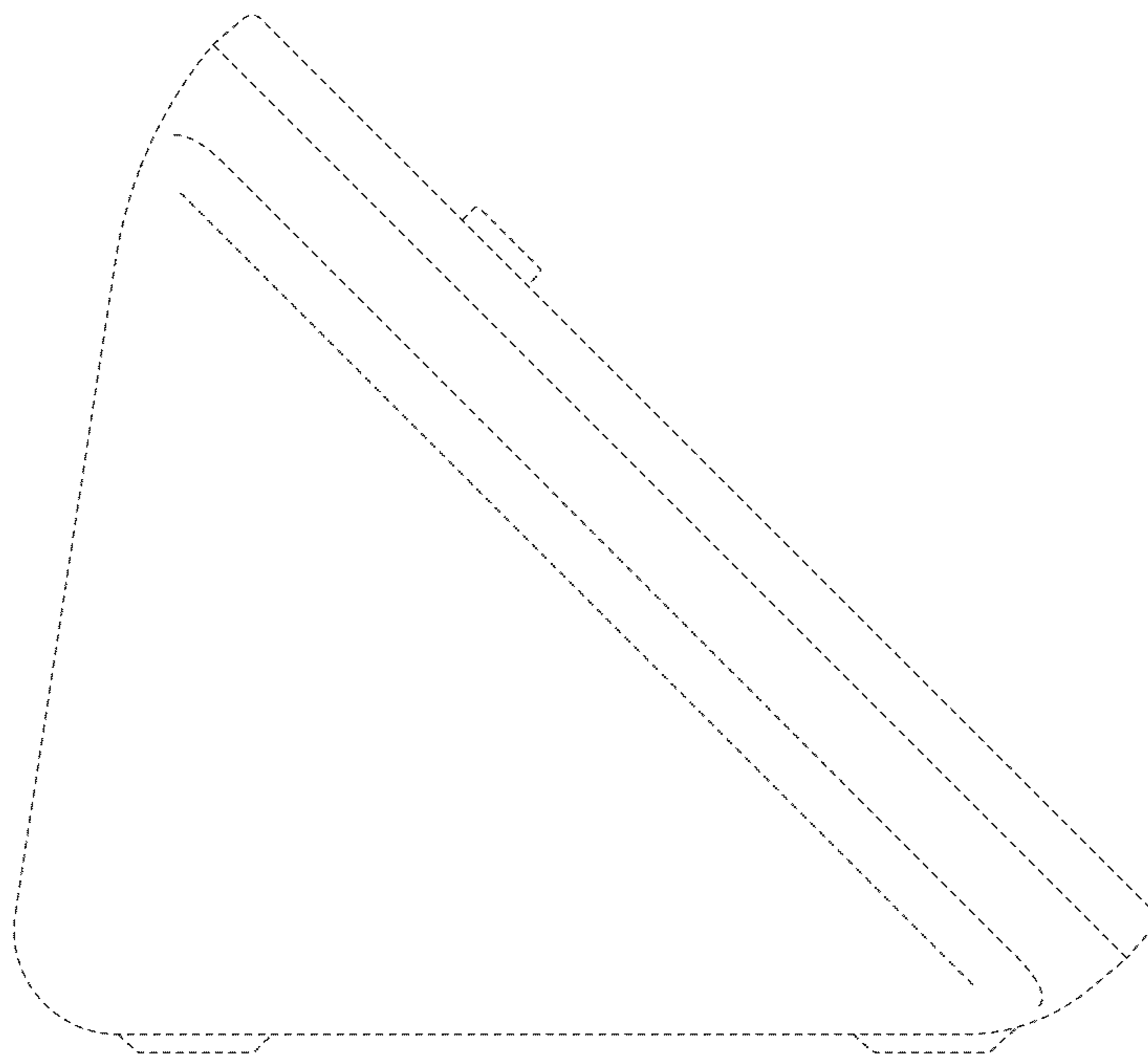


FIG.12

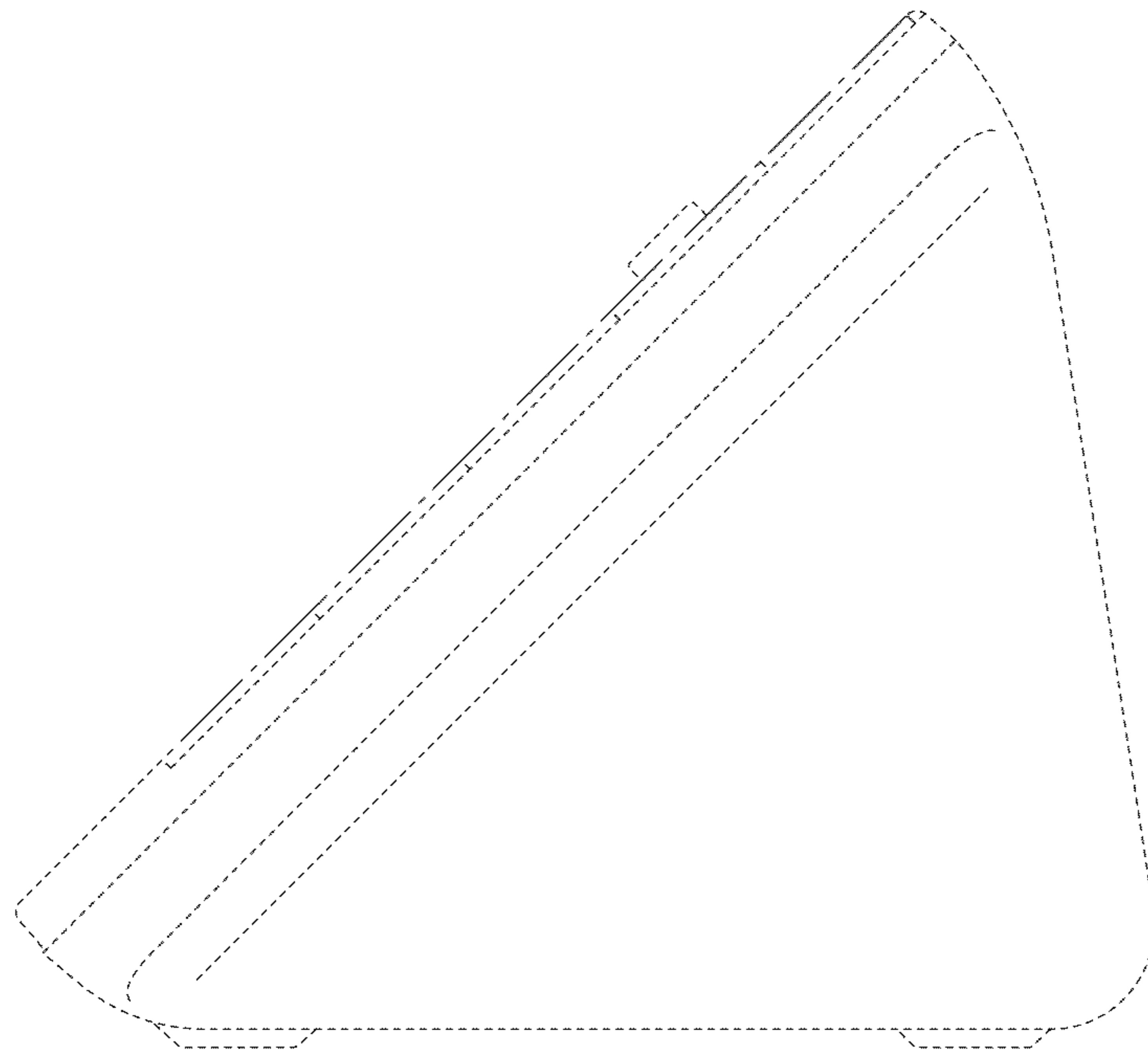


FIG.13

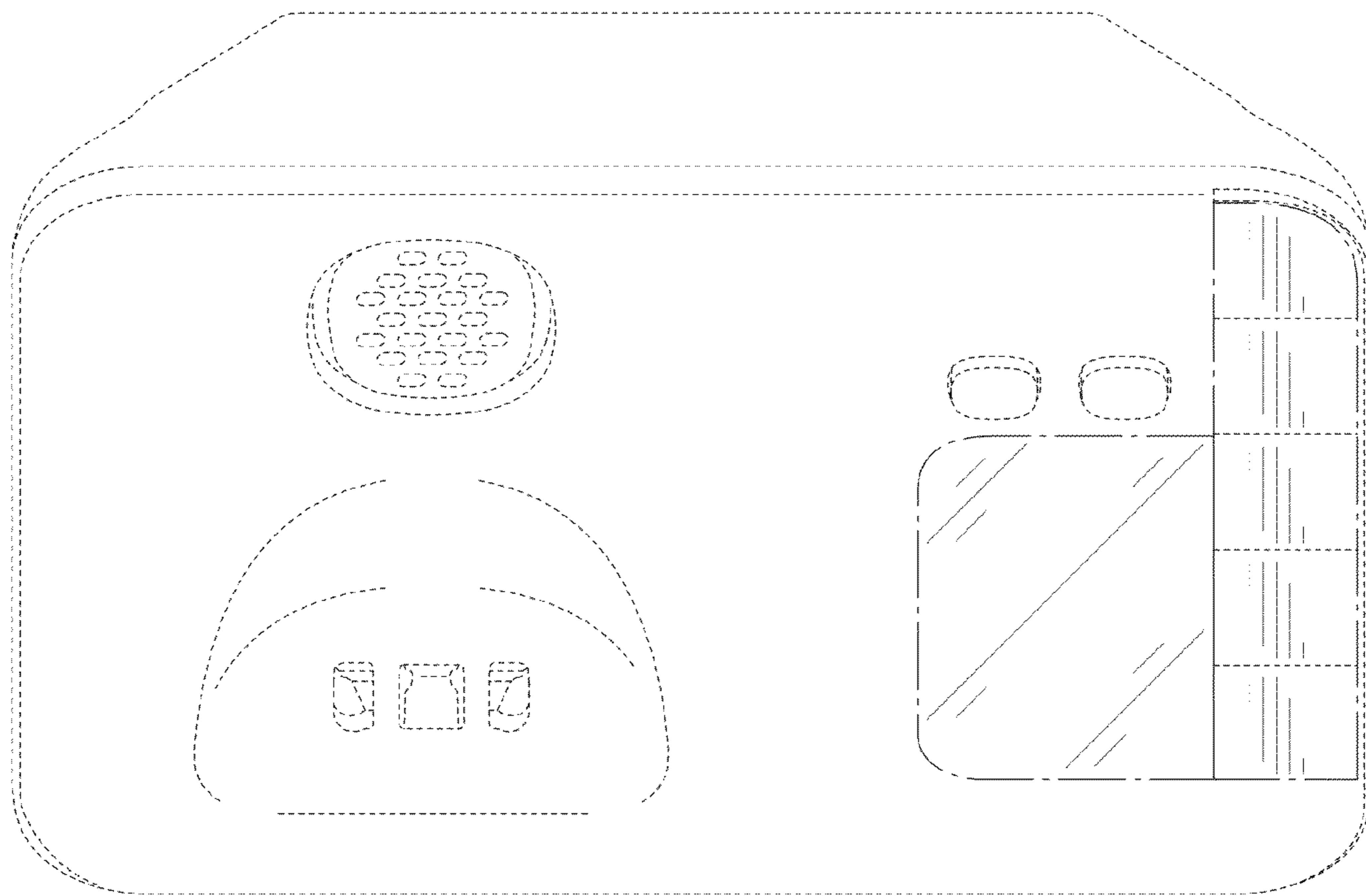


FIG.14

