



US00D719534S

(12) **United States Design Patent**
Woodman et al.

(10) **Patent No.:** **US D719,534 S**

(45) **Date of Patent:** **** Dec. 16, 2014**

(54) **REMOTE CONTROL**

(75) Inventors: **Nicholas D. Woodman**, Sausalito, CA (US); **Rudy Lucas Samuels**, Mill Valley, CA (US); **Fred Bould**, Menlo Park, CA (US); **Kristen Beck**, San Mateo, CA (US)

(73) Assignee: **GoPro, Inc.**, San Mateo, CA (US)

(**) Term: **14 Years**

(21) Appl. No.: **29/423,575**

(22) Filed: **Jun. 1, 2012**

(51) **LOC (10) Cl.** **14-03**

(52) **U.S. Cl.**
USPC **D13/168**

(58) **Field of Classification Search**
USPC D13/168; D10/104.1, 106.1; D3/207, D3/208; D8/347; 200/302.2, 341; 307/10.1; 341/176; 340/4.3, 4.42, 5.61, 340/5.64, 12.22, 12.23, 12.24, 12.29, 12.3, 340/12.55, 13.2, 13.21, 13.24; 700/17, 65, 700/83, 426.13; 701/2

See application file for complete search history.

(56) **References Cited**

U.S. PATENT DOCUMENTS

D293,088	S	*	12/1987	Brown et al.	D10/106.1
D333,635	S	*	3/1993	Issa	D10/106.1
D356,746	S	*	3/1995	Dziersk et al.	D10/104.1
D357,639	S	*	4/1995	Flick	D10/104.1
D357,919	S	*	5/1995	Tsui	D14/218
D377,458	S	*	1/1997	Tsui	D10/104.1
D405,424	S	*	2/1999	Winkler et al.	D13/168
D468,274	S	*	1/2003	Novak	D13/168

D494,144	S	*	8/2004	Guzman et al.	D13/168
D503,687	S	*	4/2005	Hoffman	D13/168
D556,701	S	*	12/2007	Nohara et al.	D13/168
D561,703	S	*	2/2008	Shimokawa et al.	D13/168
D577,708	S	*	9/2008	von Meiss et al.	D14/158
D592,158	S	*	5/2009	Peterson et al.	D13/168
D638,806	S	*	5/2011	Kim et al.	D13/168
7,978,119	B2	*	7/2011	Heigl	341/176
D667,382	S	*	9/2012	Cosentino et al.	D13/168
D701,496	S	*	3/2014	Namminga	D13/168
2010/0060467	A1	*	3/2010	Kofford	340/636.15
2010/0073191	A1	*	3/2010	Beverung et al.	340/870.02

* cited by examiner

Primary Examiner — Selina Sikder

(74) *Attorney, Agent, or Firm* — Fenwick & West LLP

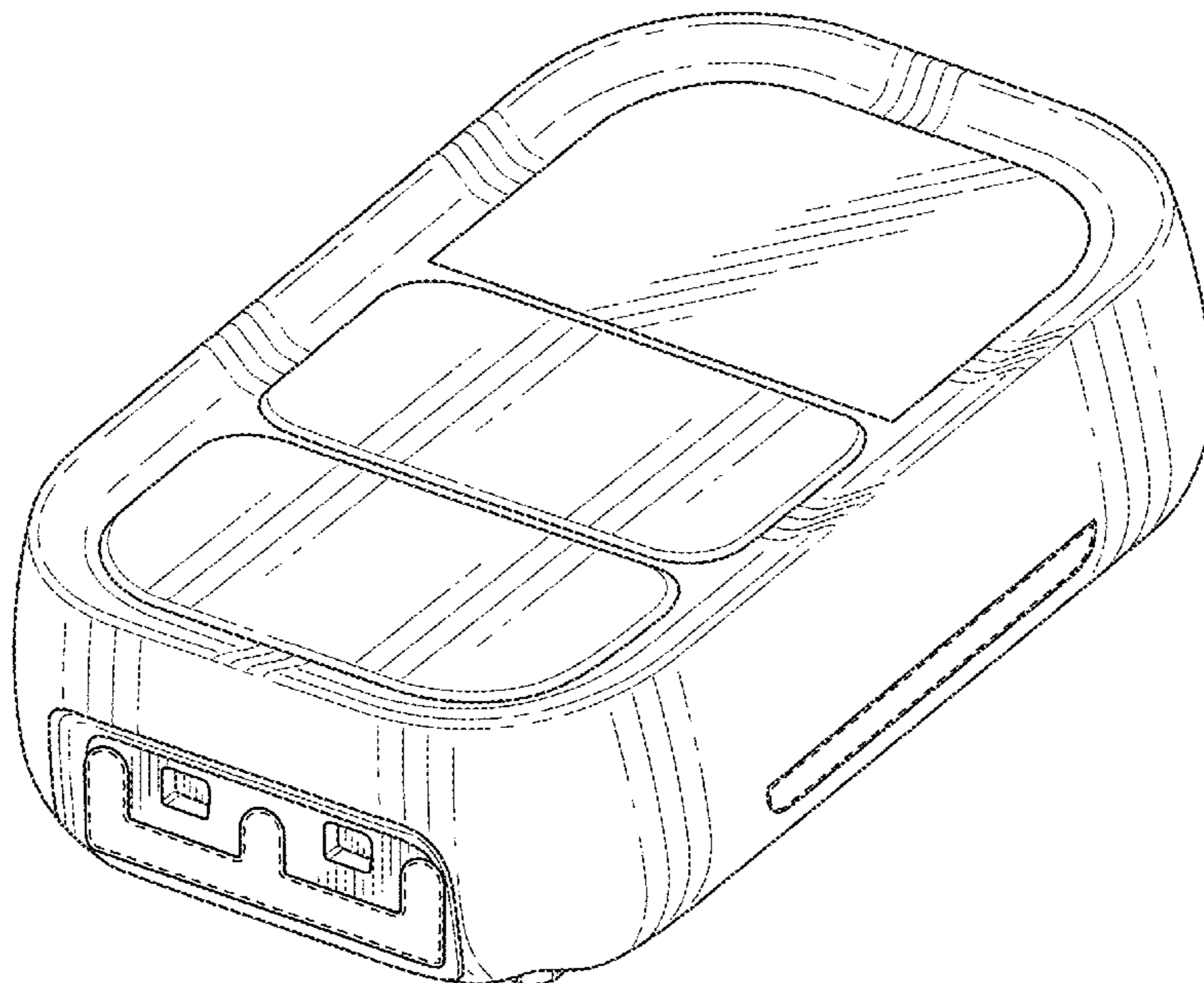
(57) **CLAIM**

The ornamental design for a remote control, as shown and described.

DESCRIPTION

FIG. 1 is a front, bottom and right side perspective view of a remote control showing our new design; FIG. 2 is a bottom plan view thereof; FIG. 3 is a top plan view thereof; FIG. 4 is a left side elevational view thereof; FIG. 5 is a right side elevational view thereof; FIG. 6 is a front elevational view thereof; FIG. 7 is a rear elevational view thereof; FIG. 8 is a rear, top and left side perspective view thereof; and, FIG. 9 is a rear, top and left side perspective view thereof. The broken lines in the drawings showing portions of the remote control are included for the purpose of illustrating environmental structure and form no part of the claimed design.

1 Claim, 7 Drawing Sheets



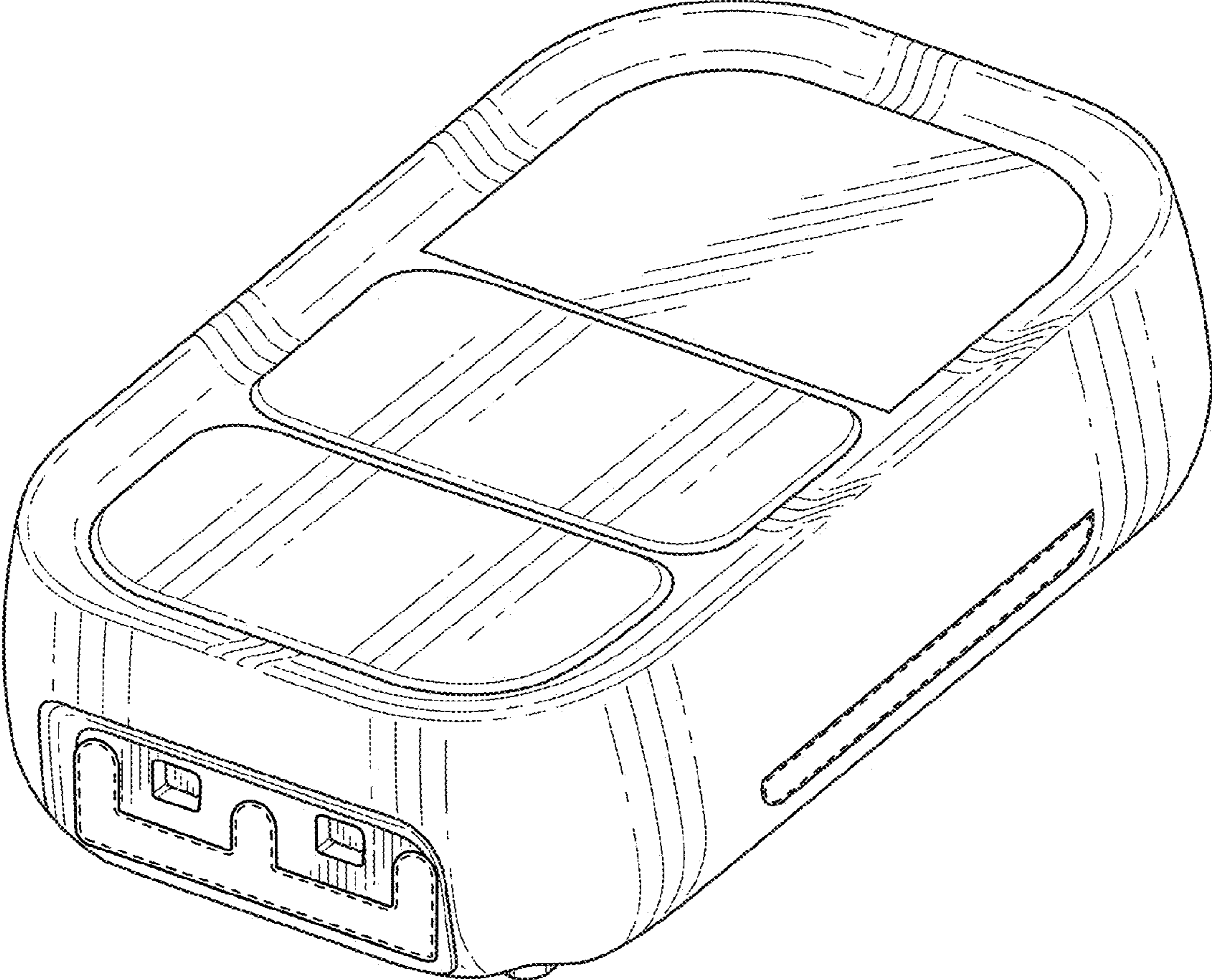


FIG. 1

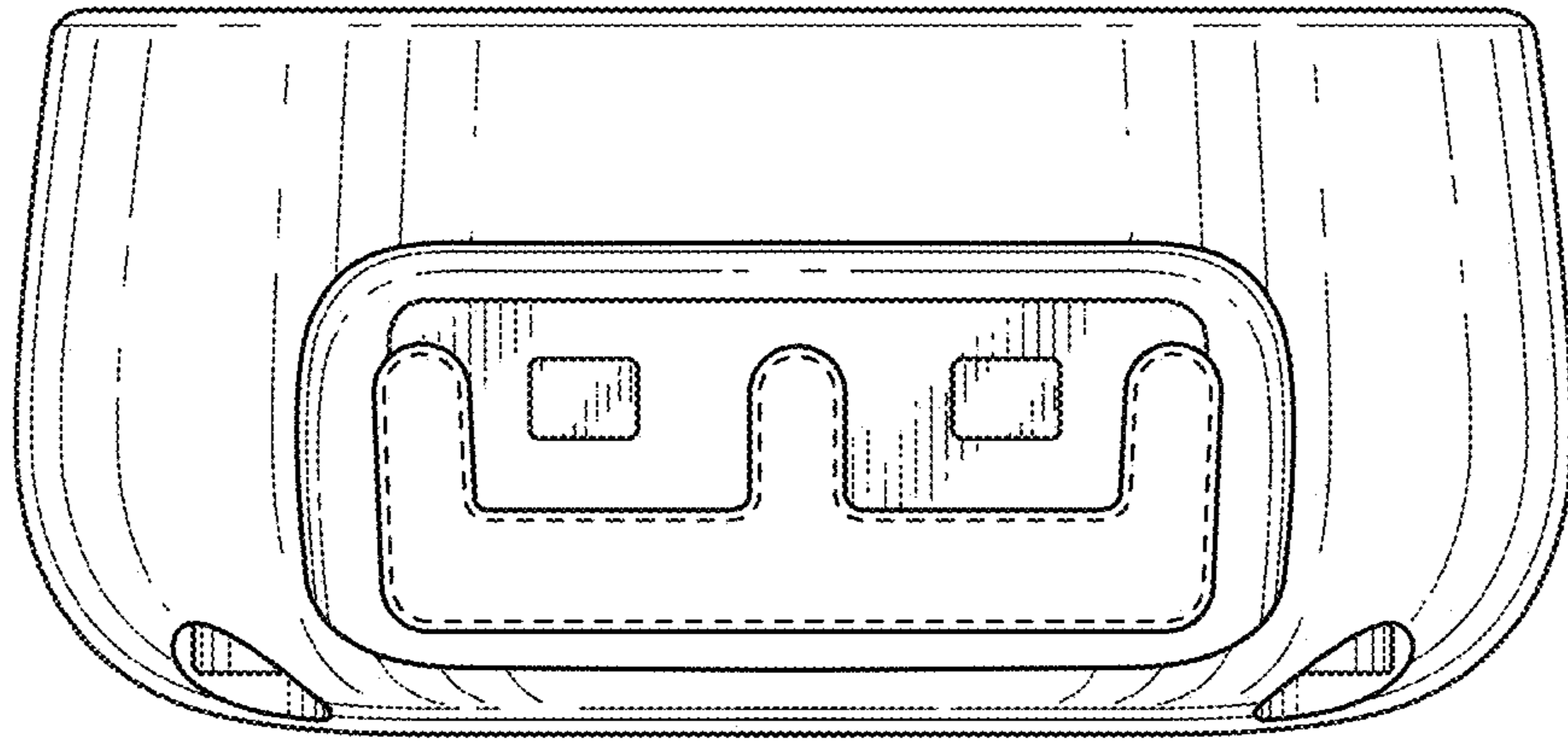


FIG. 2

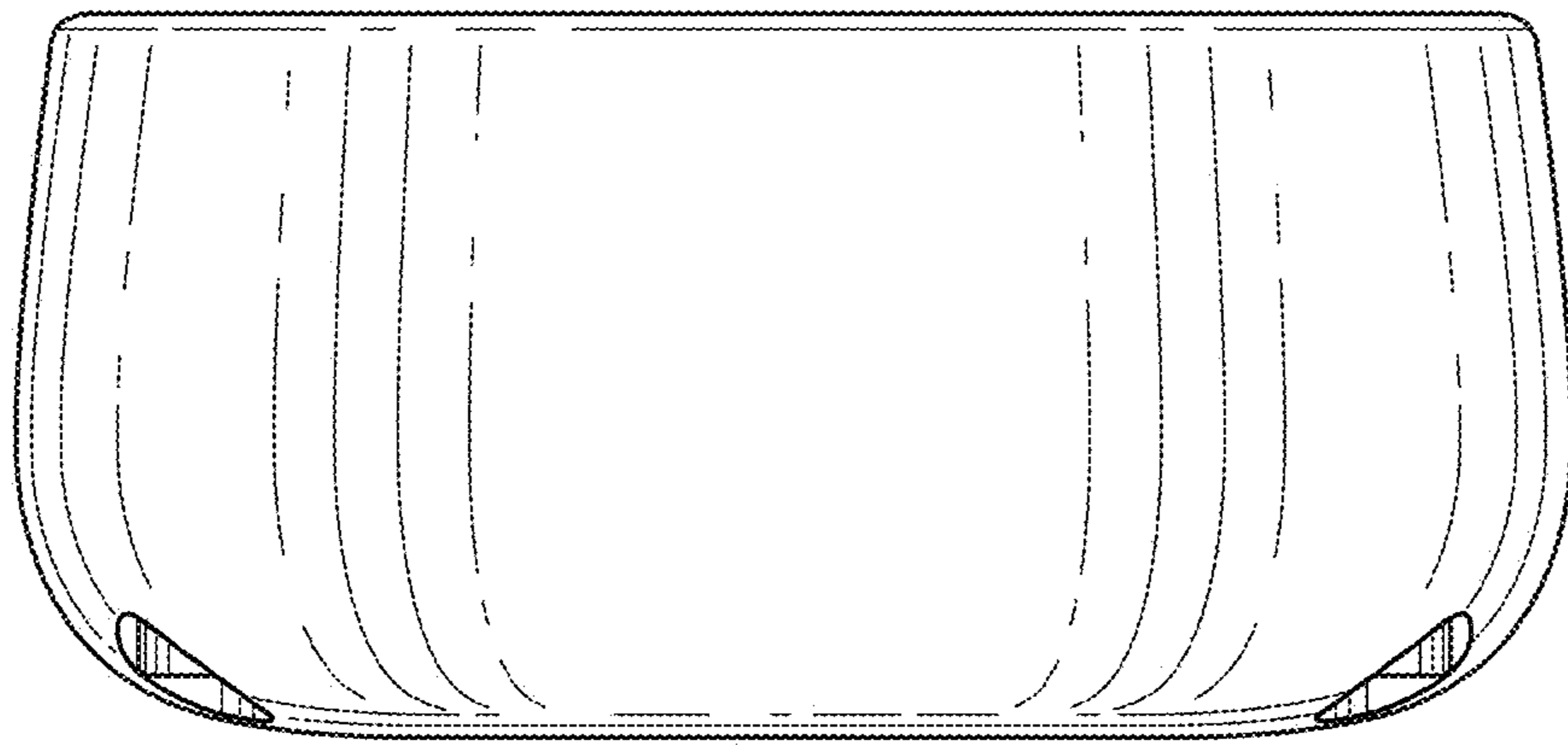


FIG. 3

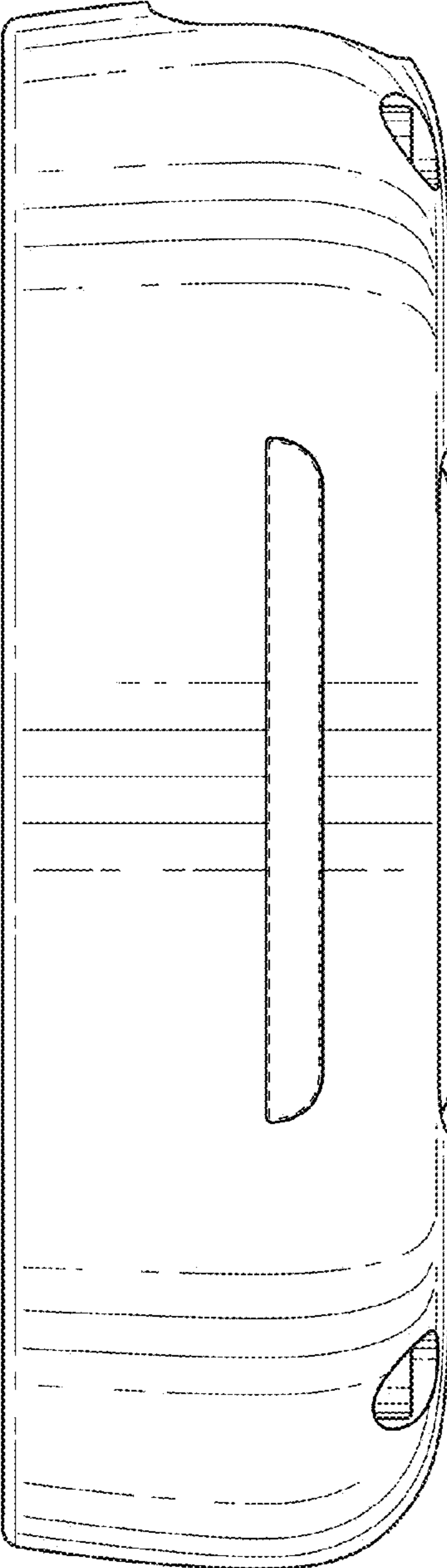


FIG. 4

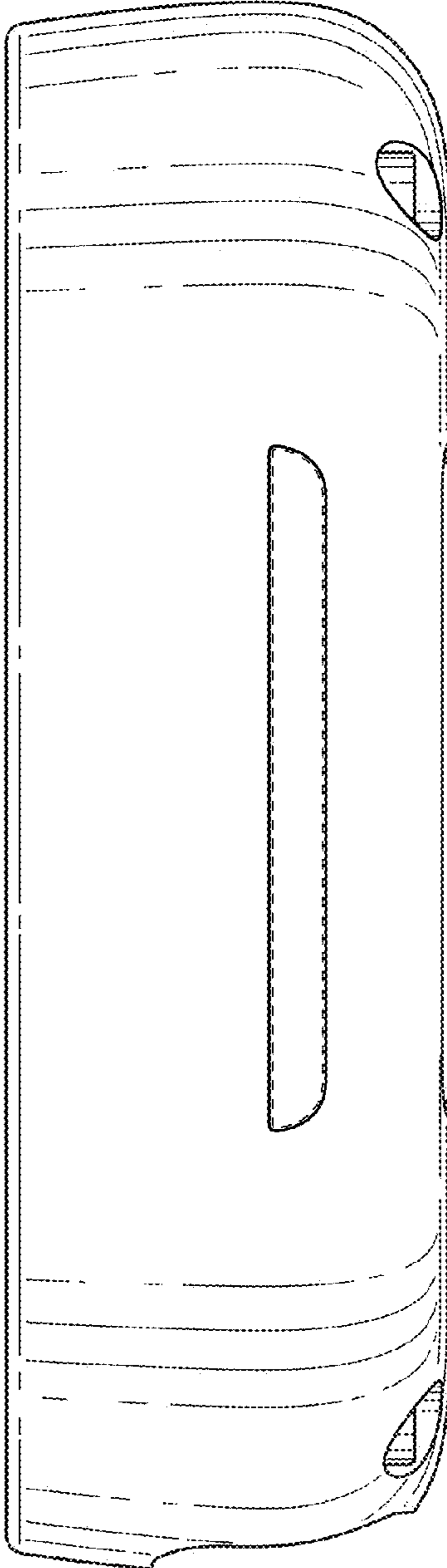


FIG. 5

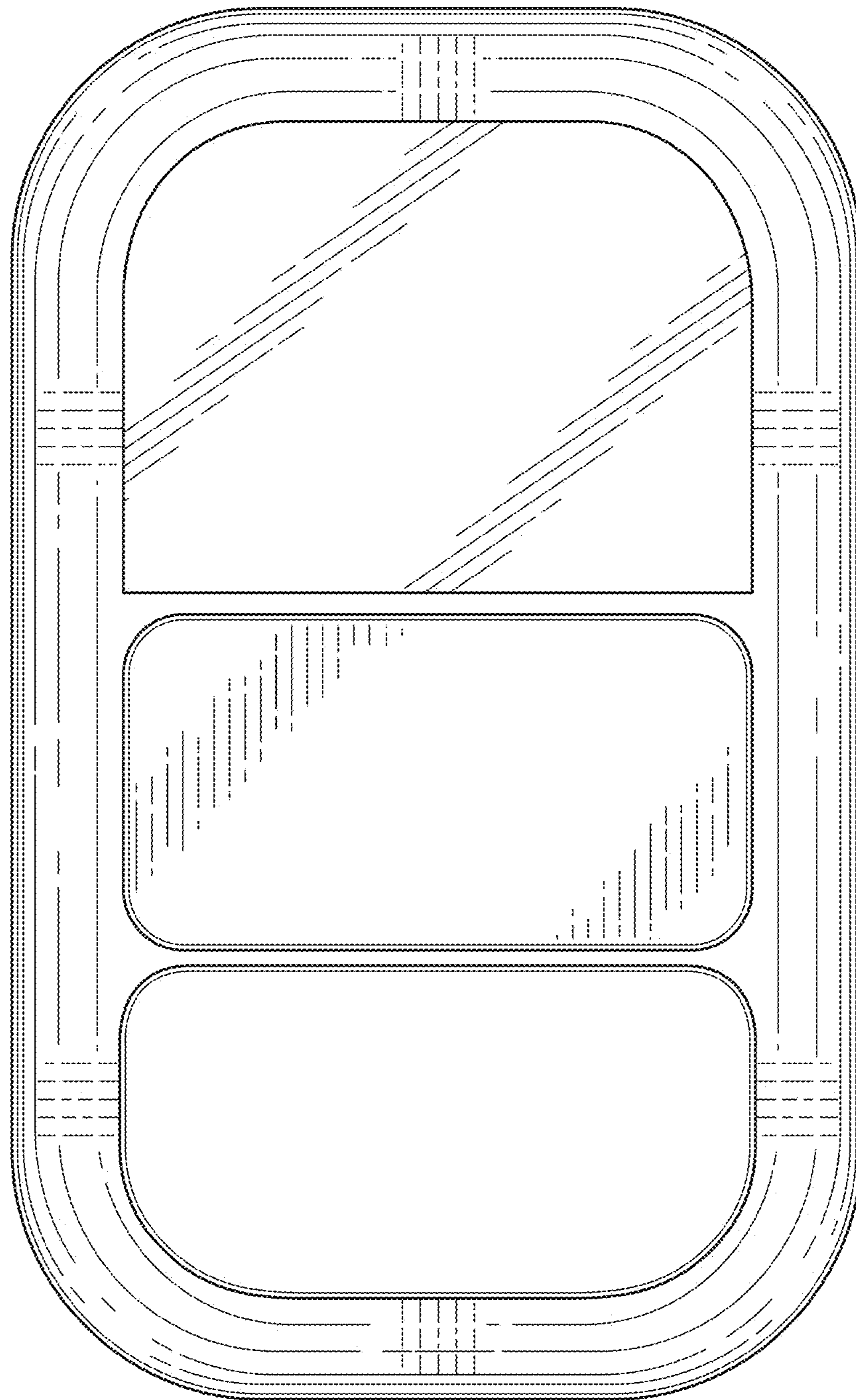


FIG. 6

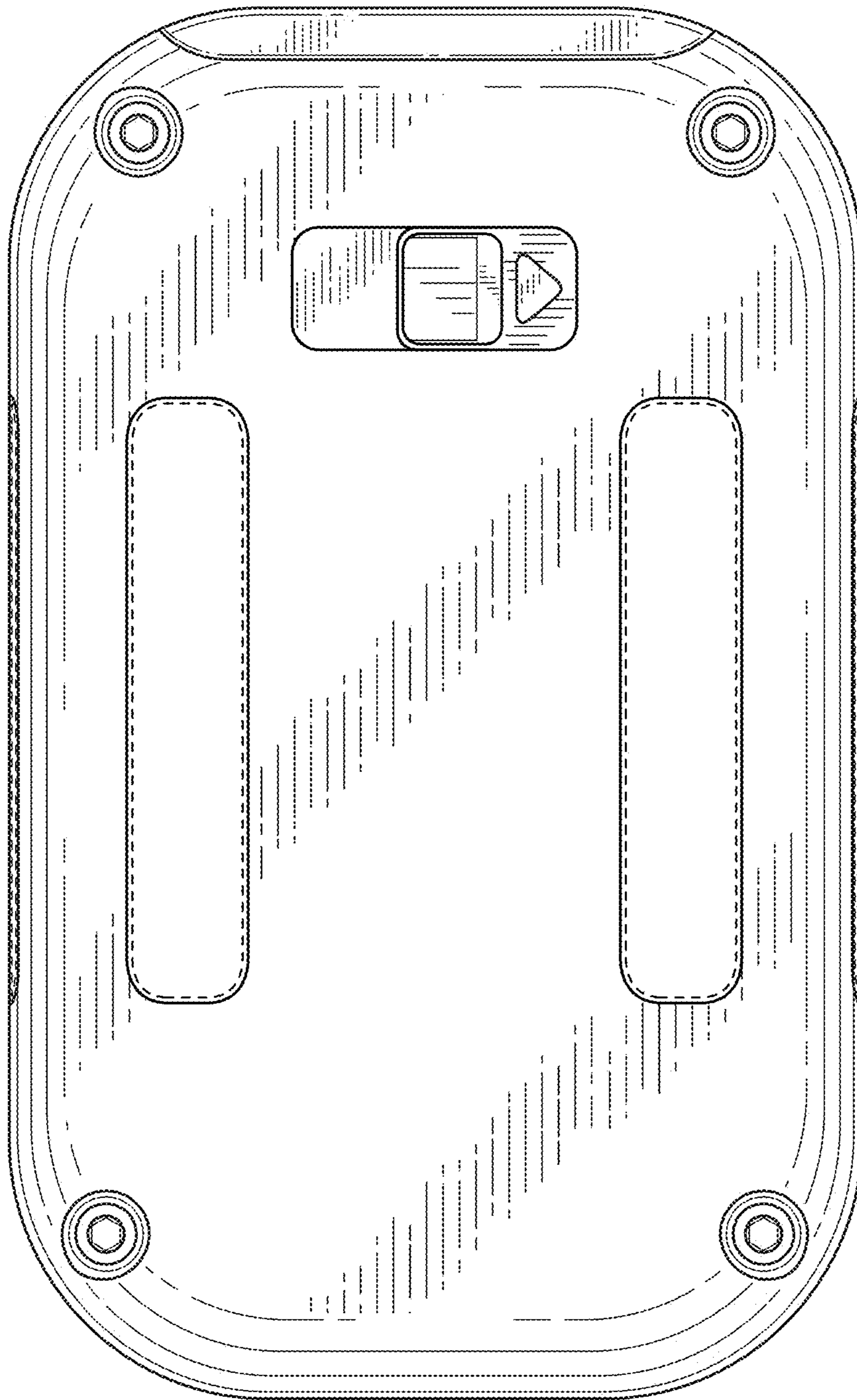


FIG. 7

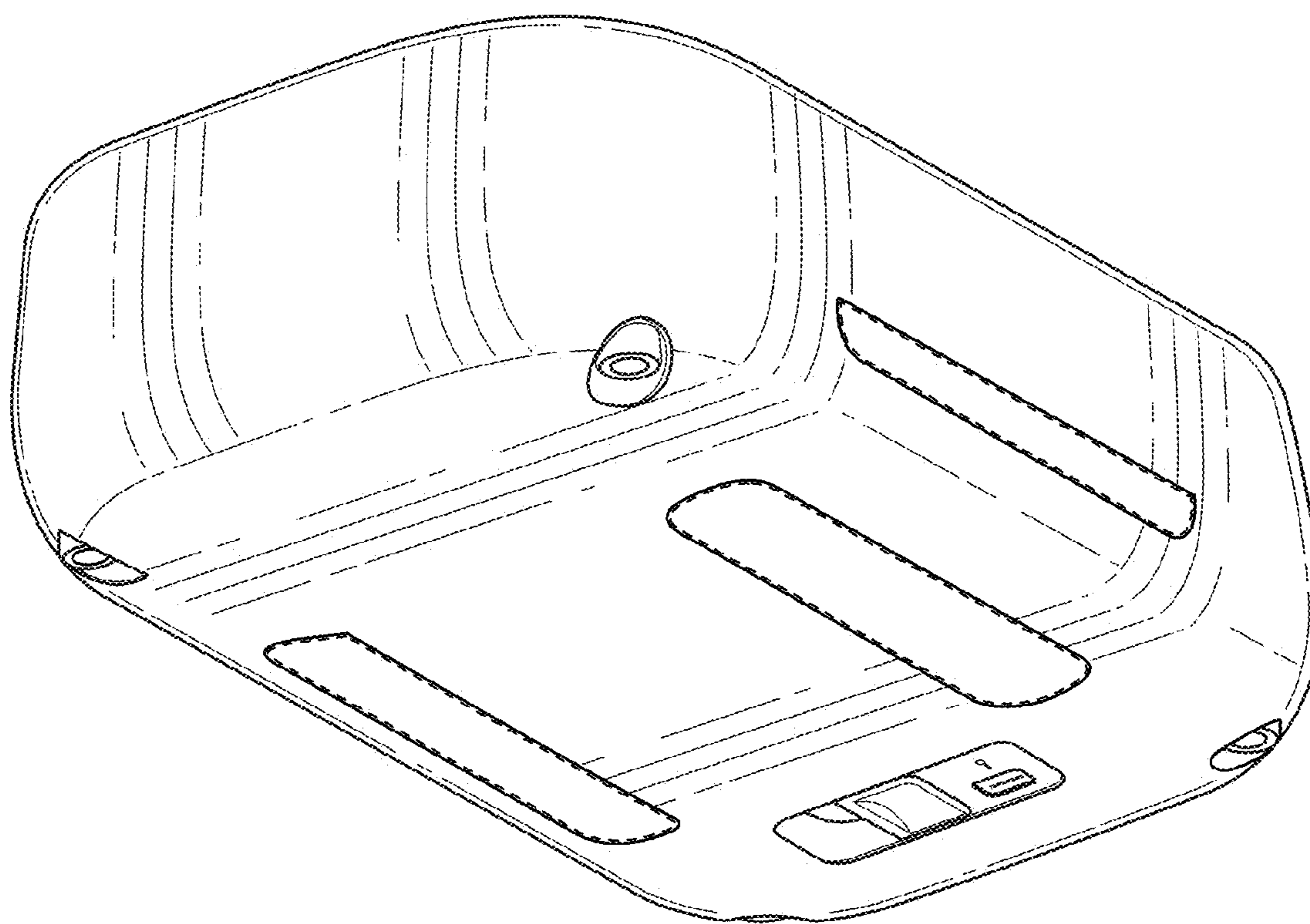


FIG. 8

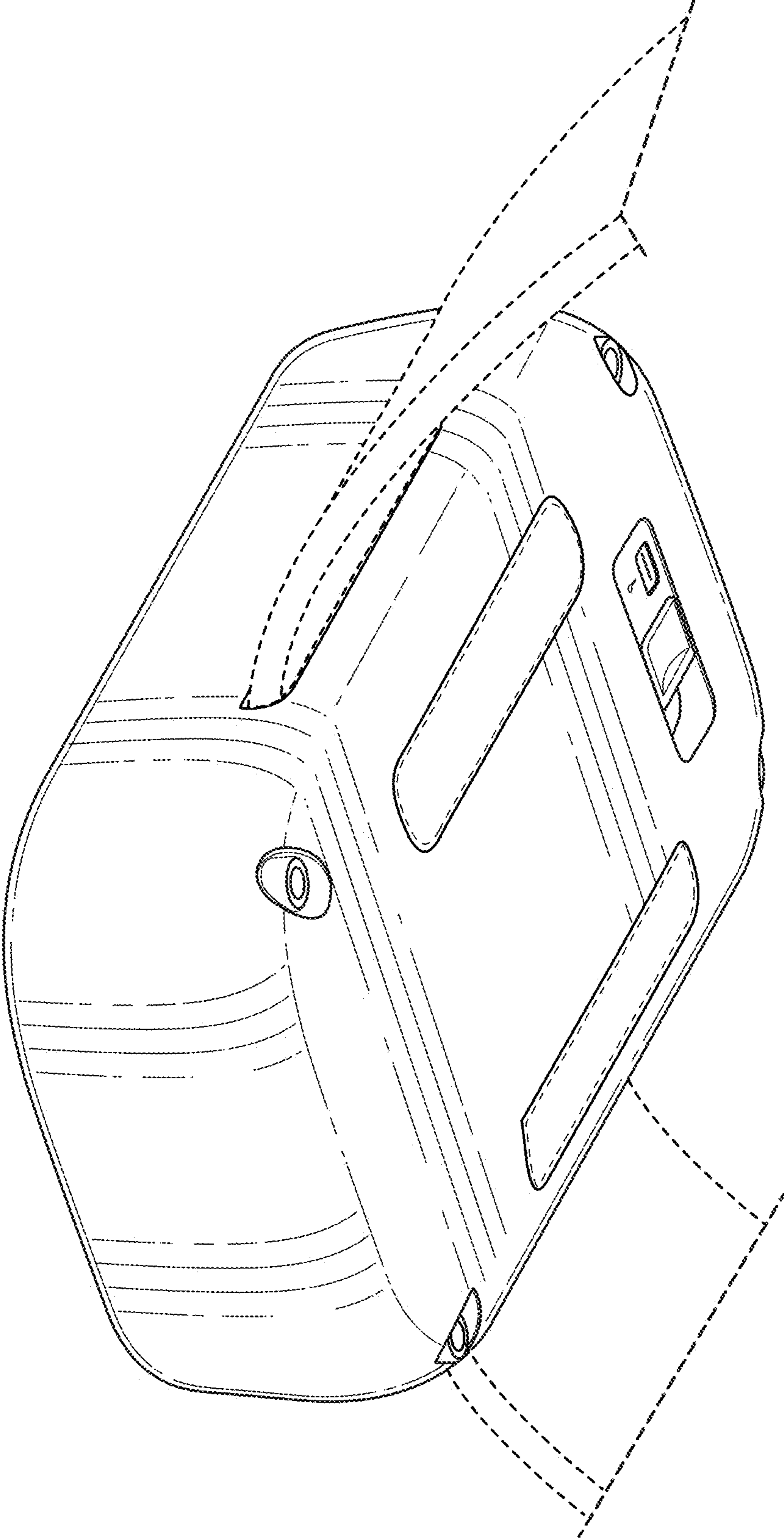


FIG. 9