



US00D719533S

(12) **United States Design Patent**
Lin

(10) **Patent No.:** **US D719,533 S**
(45) **Date of Patent:** **** Dec. 16, 2014**

(54) **CONTROL BOX**

(71) Applicant: **Timotion Technology Co., Ltd.**, New Taipei (TW)

(72) Inventor: **Yi-Ching Lin**, New Taipei (TW)

(73) Assignee: **Timotion Technology Co., Ltd.**, New Taipei (TW)

(**) Term: **14 Years**

(21) Appl. No.: **29/471,234**

(22) Filed: **Oct. 30, 2013**

(51) **LOC (10) Cl.** **13-03**

(52) **U.S. Cl.**
USPC **D13/162**

(58) **Field of Classification Search**
USPC D13/158, 162, 184; D15/143; 361/600,
361/622, 679.01, 715, 736, 761, 800;
439/374, 517

See application file for complete search history.

(56) **References Cited**

U.S. PATENT DOCUMENTS

D465,797 S * 11/2002 Landerholm et al. D15/143
D543,957 S * 6/2007 Landerholm et al. D13/184
D549,663 S * 8/2007 Tsou et al. D13/158
D552,039 S * 10/2007 Liao D13/162

D567,190 S * 4/2008 Liljedahl D13/168
D572,281 S * 7/2008 Wei et al. D15/143
7,619,898 B2 * 11/2009 Jensen 361/736
D609,194 S * 2/2010 Lin et al. D13/158
D609,196 S * 2/2010 Chiang et al. D13/164
2007/0297150 A1 * 12/2007 Jensen 361/736
2010/0178793 A1 * 7/2010 Wu 439/374

* cited by examiner

Primary Examiner — Selina Sikder

(74) *Attorney, Agent, or Firm* — Chun-Ming Shih; HDLS IPR Services

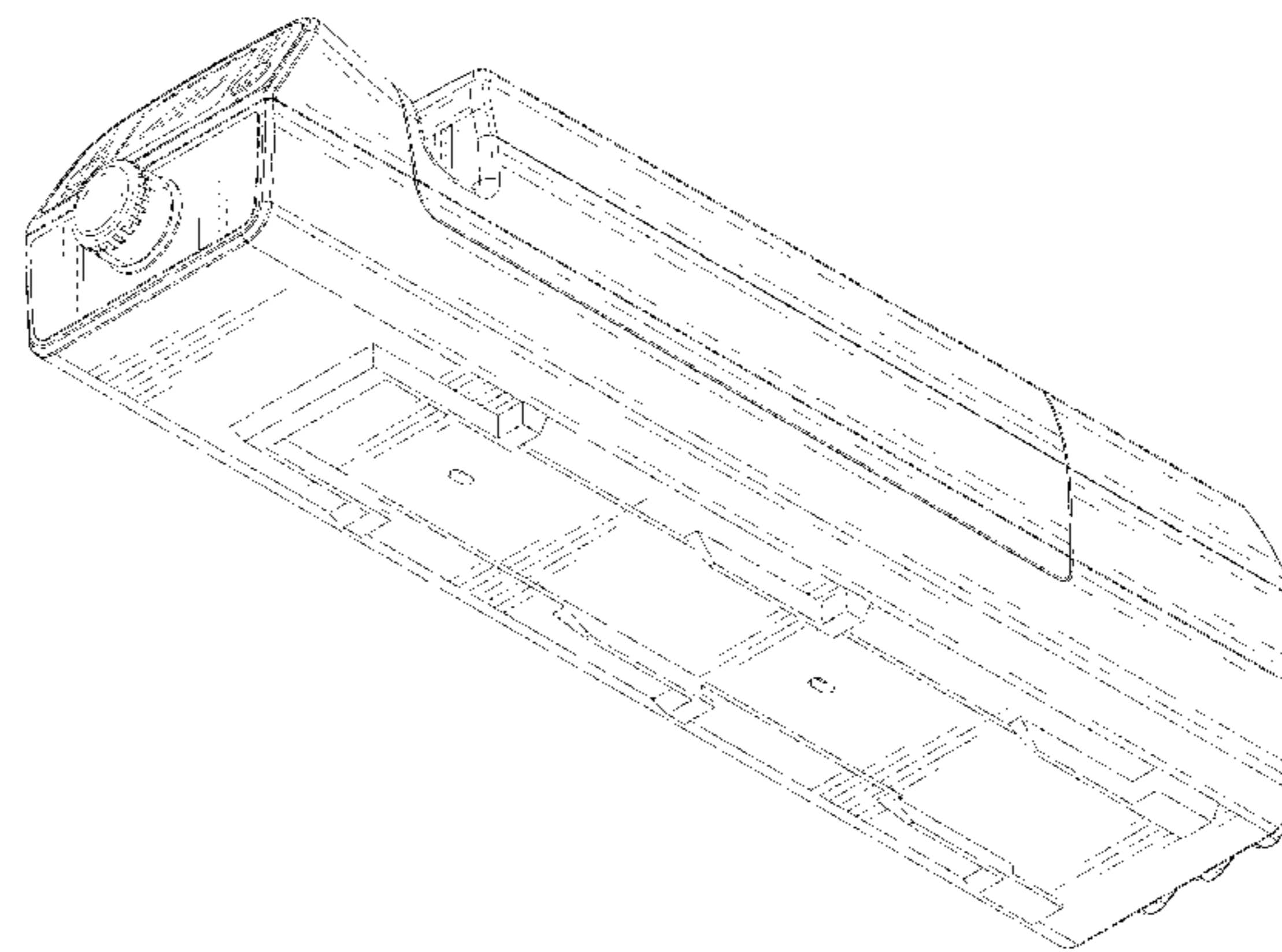
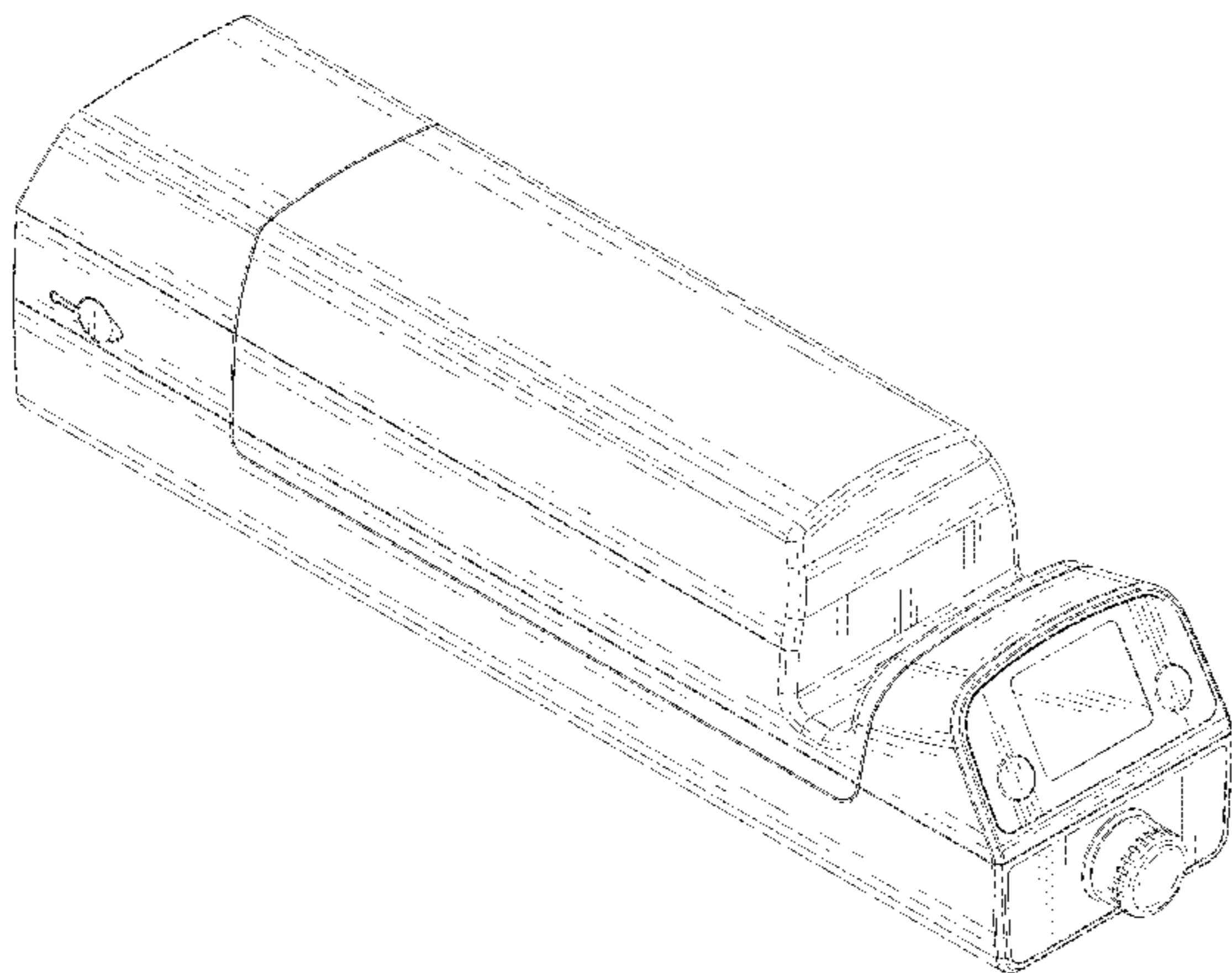
(57) **CLAIM**

The ornamental design for a control box, as shown and described.

DESCRIPTION

FIG. 1 is a perspective view of a control box showing my new design;
FIG. 2 is a front view thereof;
FIG. 3 is a rear view thereof;
FIG. 4 is a left side view thereof;
FIG. 5 is a right side view thereof;
FIG. 6 is a top view thereof;
FIG. 7 is a bottom view thereof; and
FIG. 8 is another perspective view showing the control box; and,
FIG. 9 is the other perspective view showing the control box.
The broken lines shown represent unclaimed subject matter and form no part of the claimed design.

1 Claim, 6 Drawing Sheets



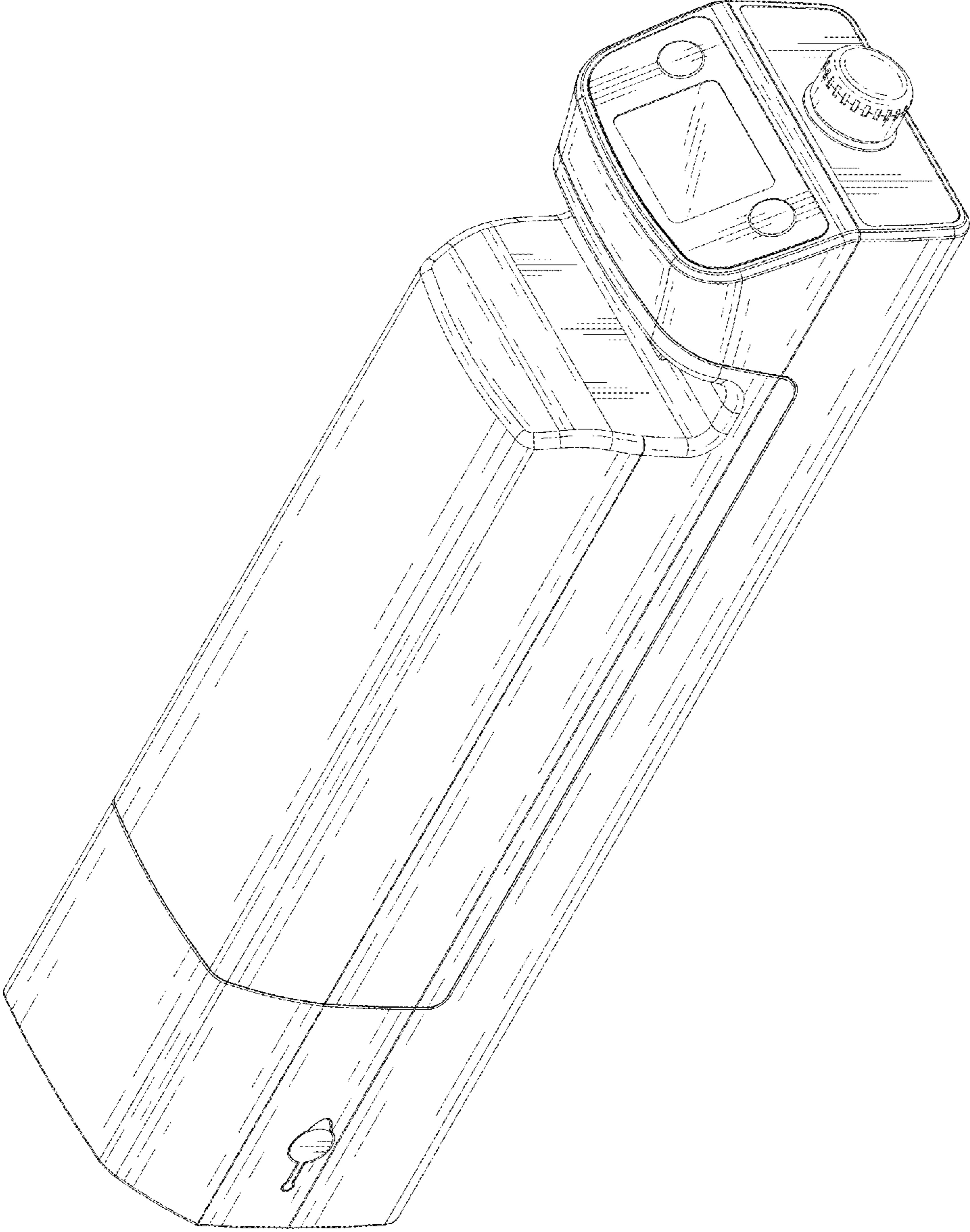


FIG.1

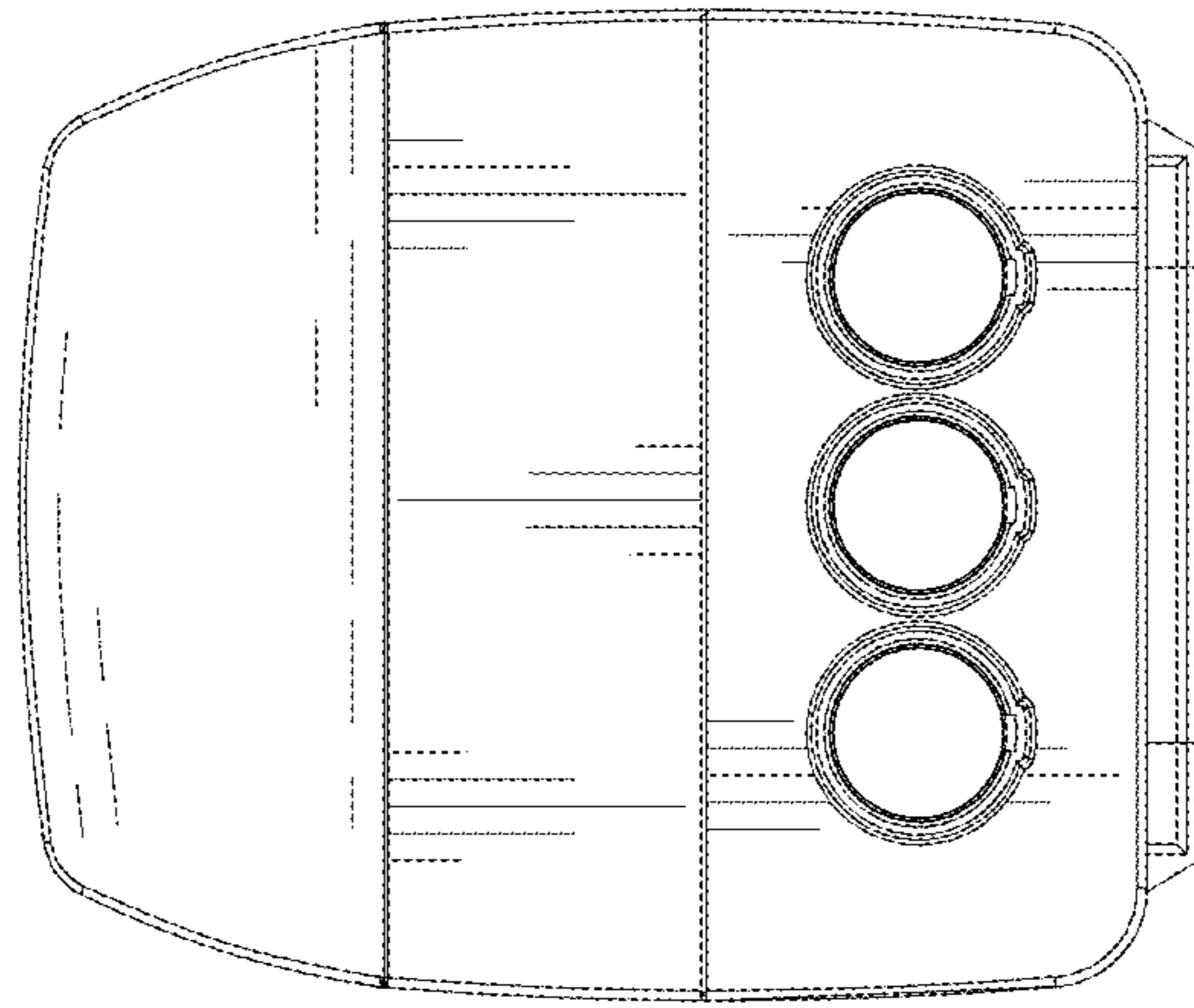


FIG.3

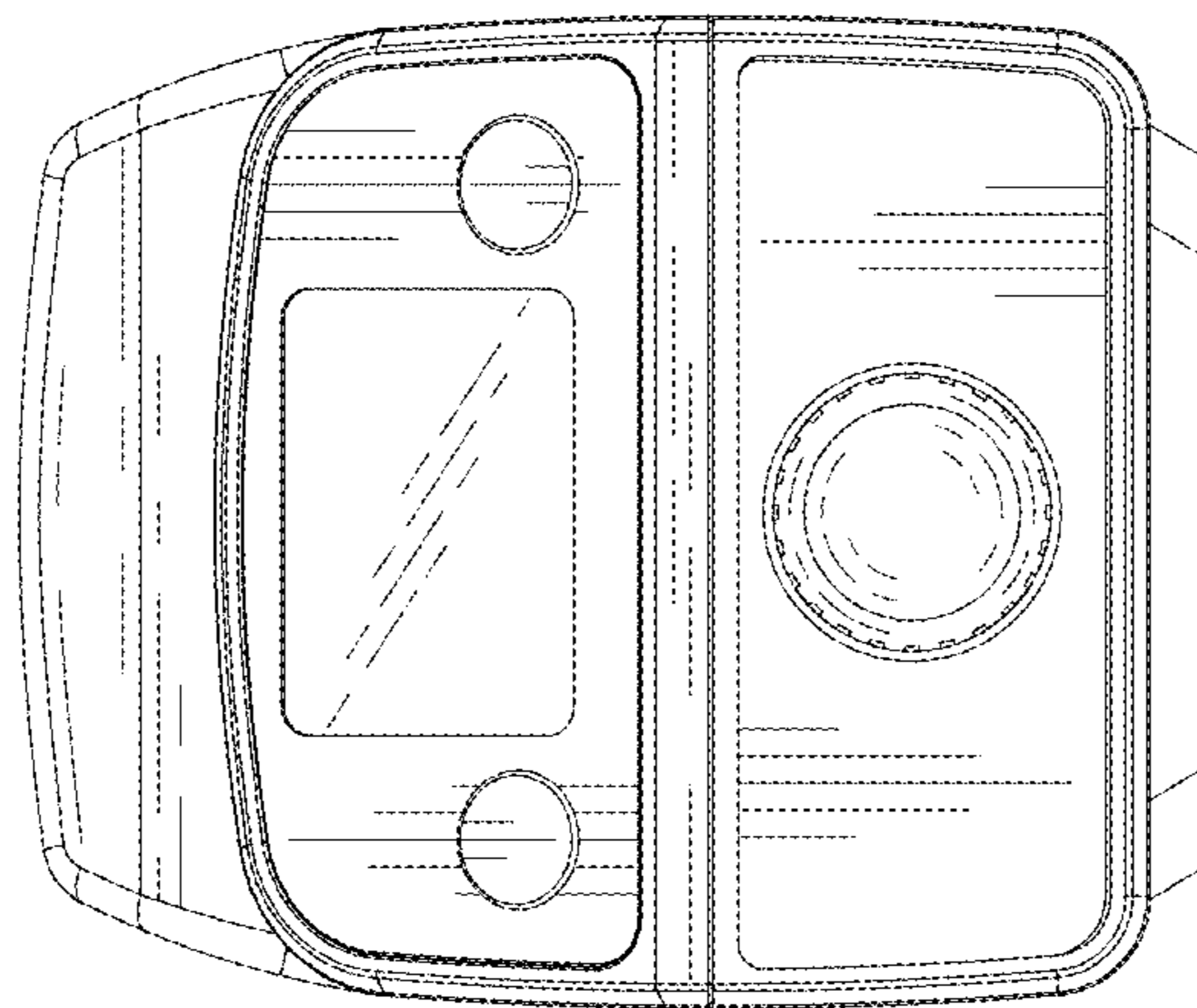


FIG.2

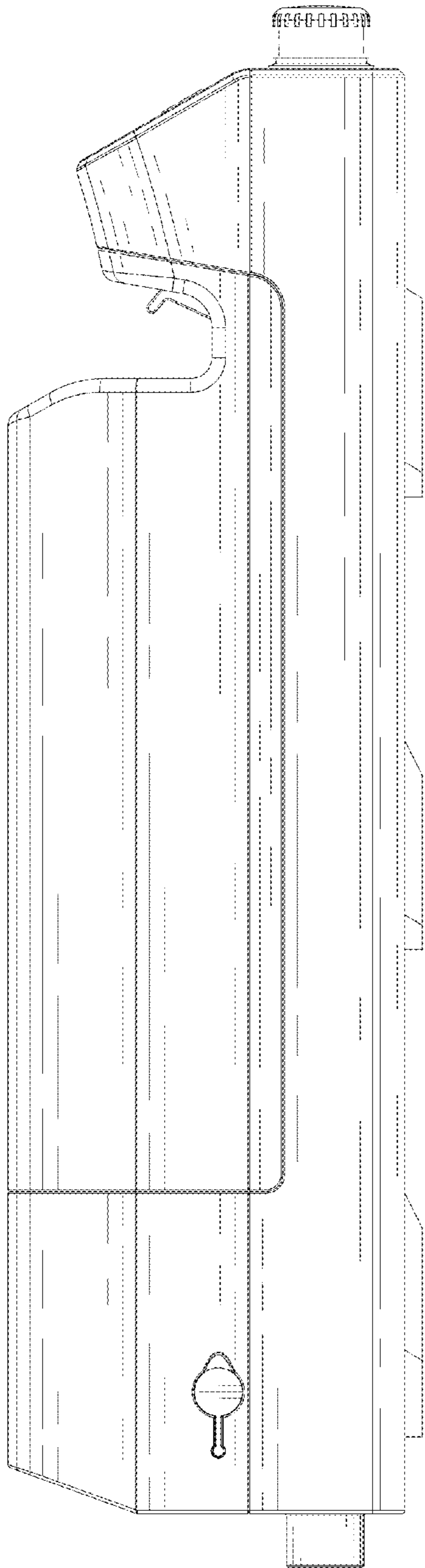


FIG.4

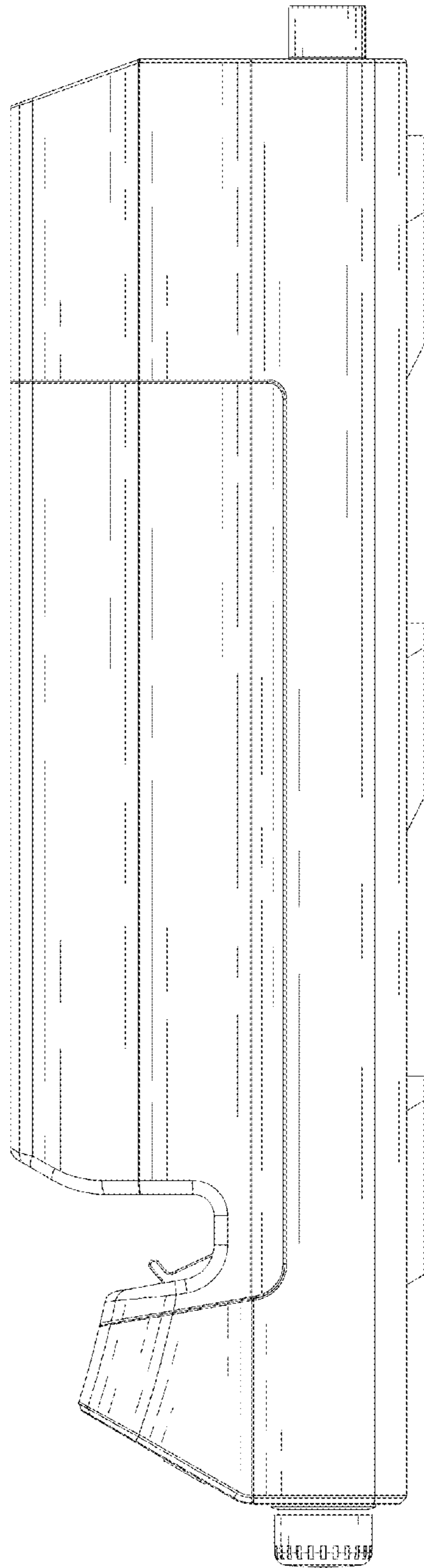


FIG.5

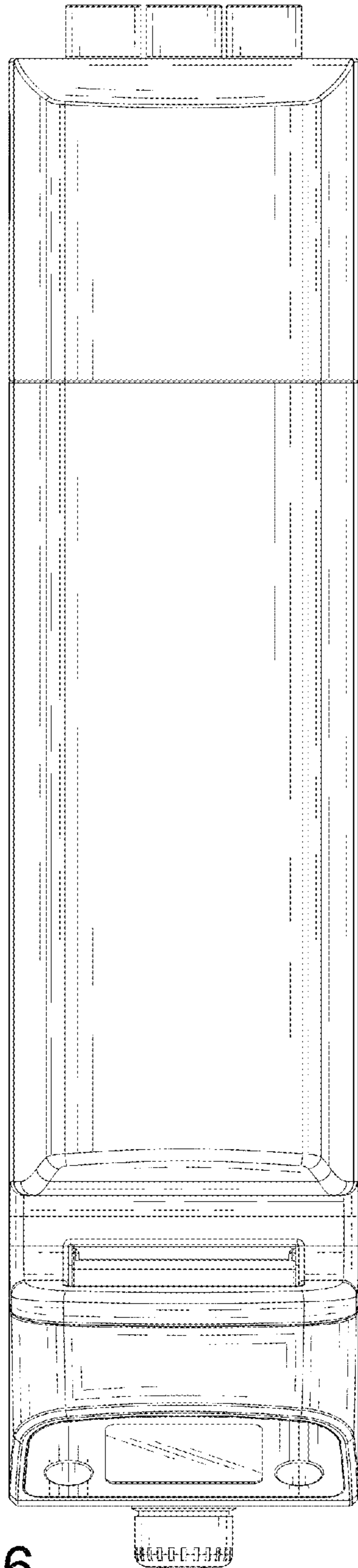


FIG. 6

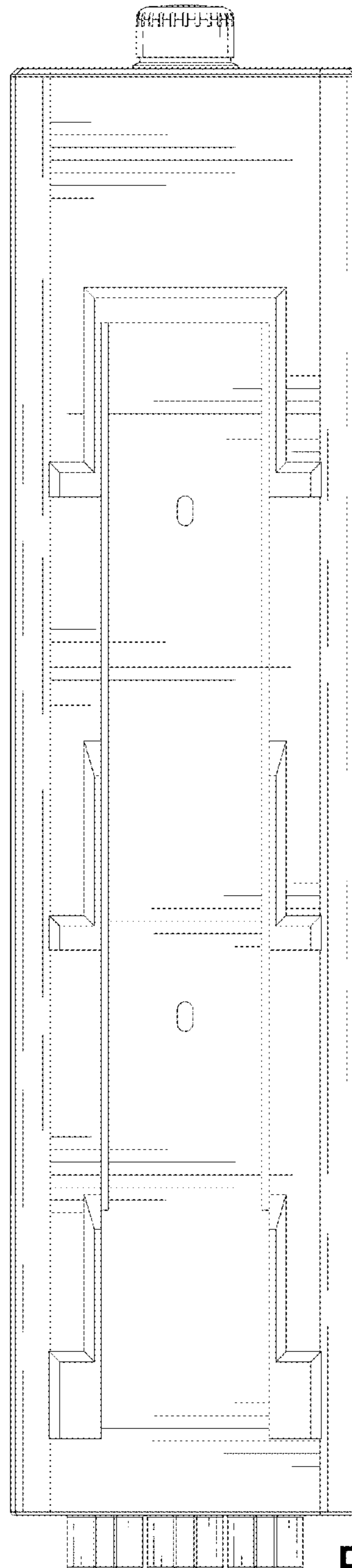


FIG. 7

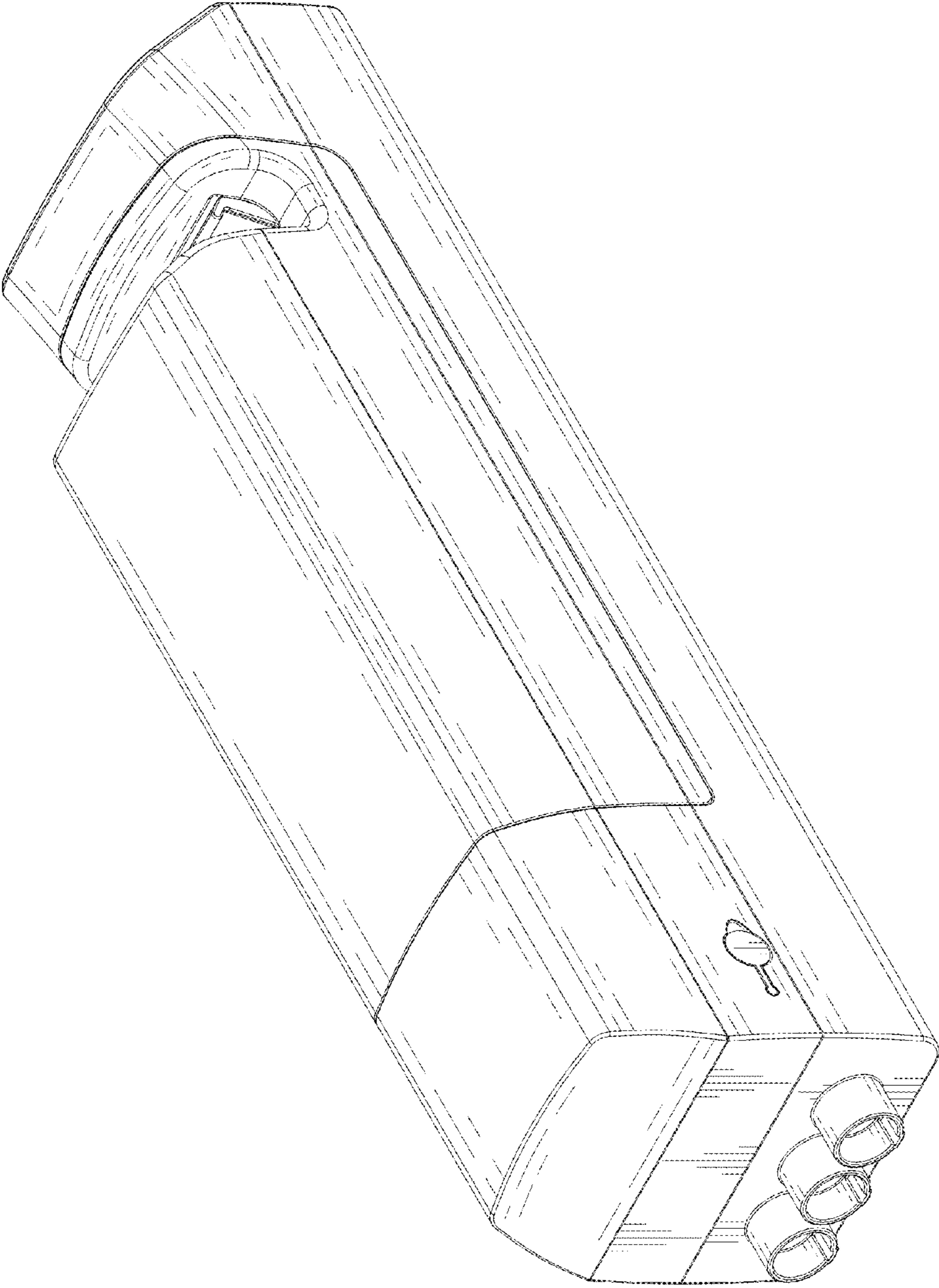


FIG.8

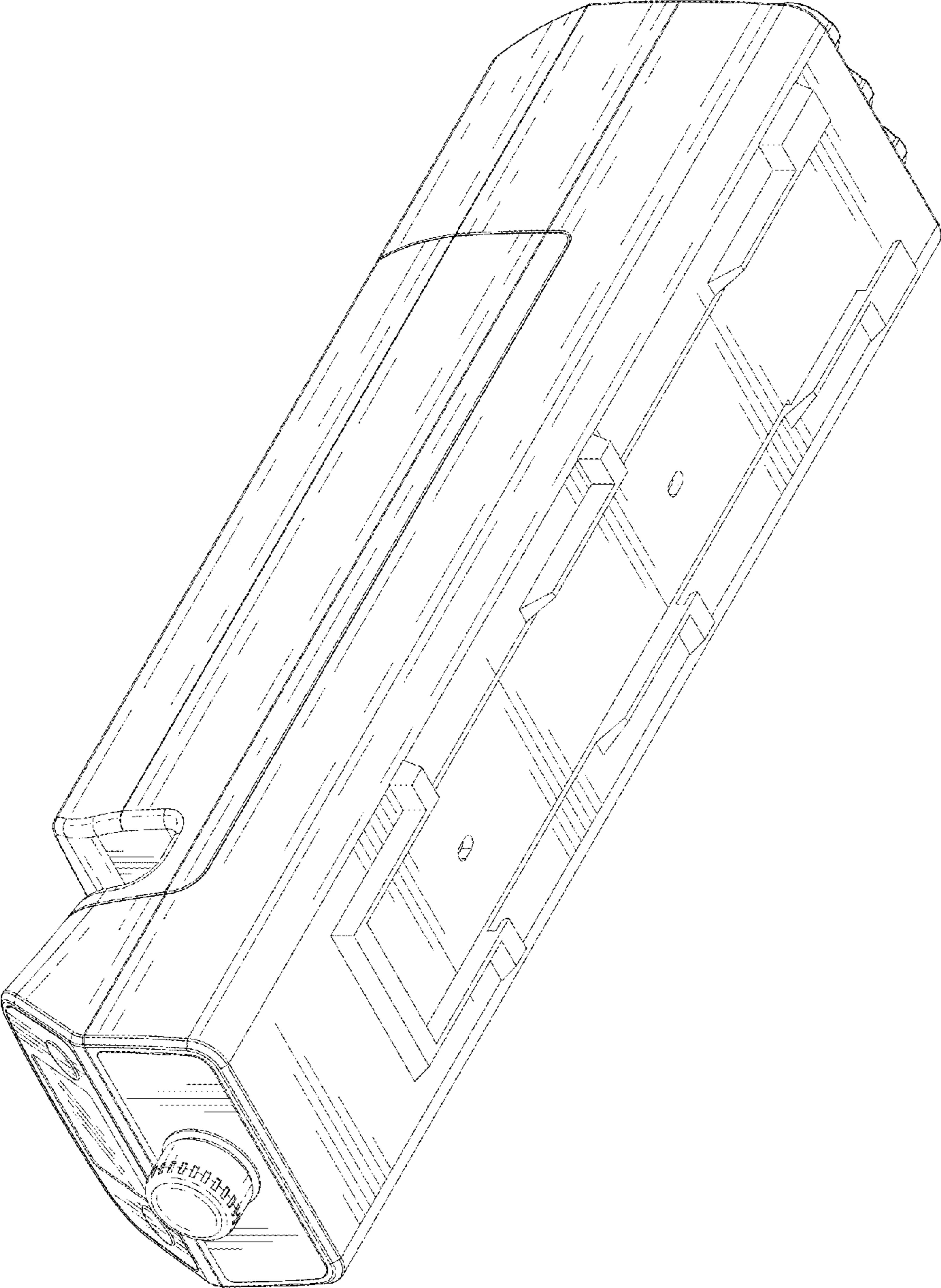


FIG.9