



US00D719532S

(12) **United States Design Patent**
Wu

(10) **Patent No.:** **US D719,532 S**
(45) **Date of Patent:** **** Dec. 16, 2014**

(54) **CONTROL PANEL FOR LINEAR ACTUATOR**

(71) Applicant: **Timotion Technology Co., Ltd.**, New Taipei (TW)

(72) Inventor: **Chou-Hsin Wu**, New Taipei (TW)

(73) Assignee: **Timotion Technology Co., Ltd.**, New Taipei (TW)

(**) Term: **14 Years**

(21) Appl. No.: **29/443,625**

(22) Filed: **Jan. 18, 2013**

(51) **LOC (10) Cl.** **13-03**

(52) **U.S. Cl.**
USPC **D13/162; D10/49**

(58) **Field of Classification Search**
USPC D13/162, 168; D10/50; D14/496,
D14/203.7, 218, 240; 315/158, 295;
340/4.3, 4.42, 12.22, 12.23, 12.24,
340/12.29, 12.3, 13.2, 13.21, 13.24;
341/176; 345/169; 348/734; 455/352;
700/17, 65, 83

See application file for complete search history.

(56) **References Cited**

U.S. PATENT DOCUMENTS

D575,240 S * 8/2008 Landerholm et al. D13/162
D582,862 S * 12/2008 Landerholm et al. D13/162

D637,978 S * 5/2011 Liao et al. D13/168
D651,987 S * 1/2012 Wu D13/168
D673,061 S * 12/2012 Wu D10/49
2013/0198959 A1 * 8/2013 Wu 5/611

* cited by examiner

Primary Examiner — Selina Sikder

(74) *Attorney, Agent, or Firm* — Chun-Ming Shih; HDLS IPR Services

(57) **CLAIM**

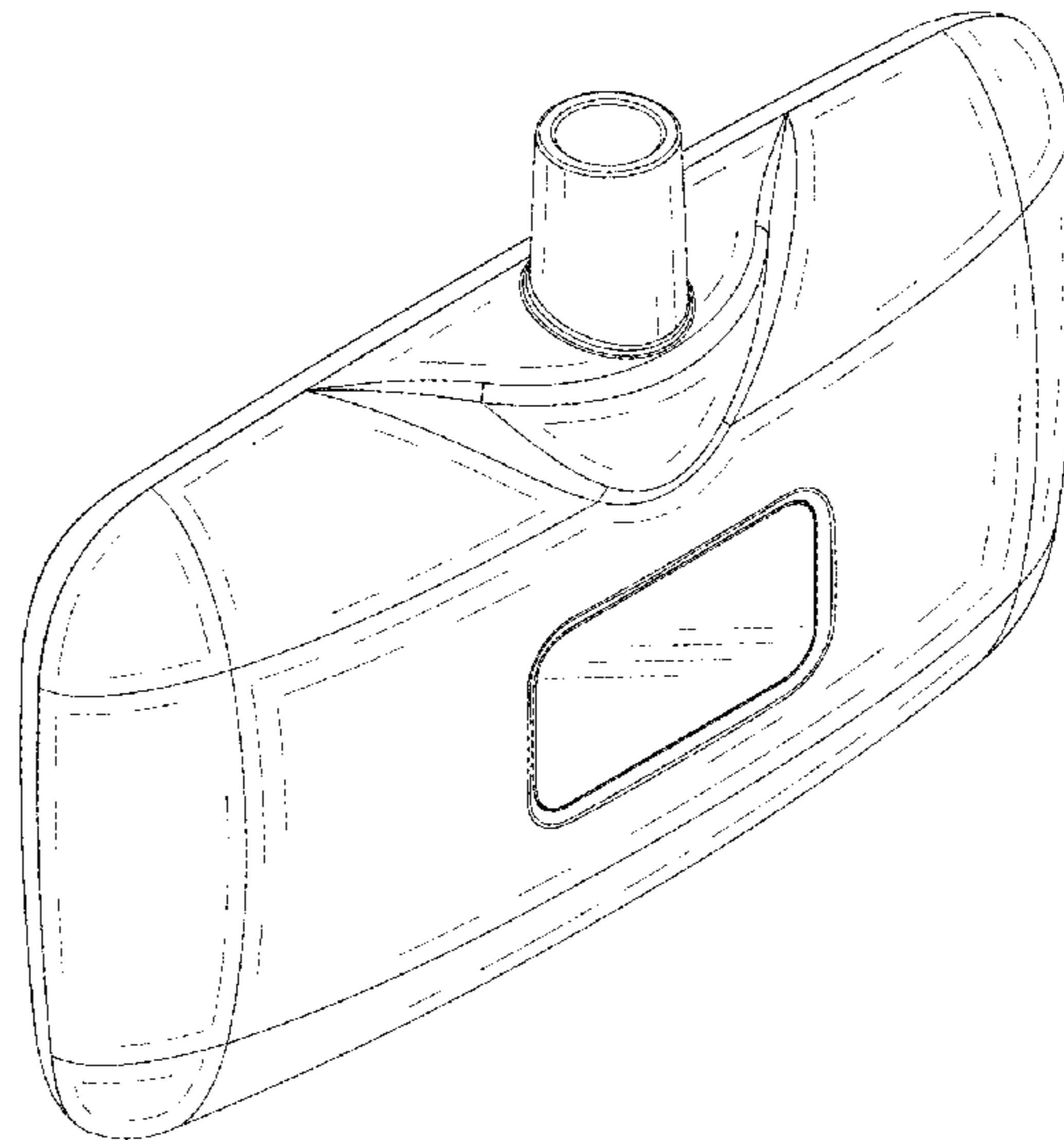
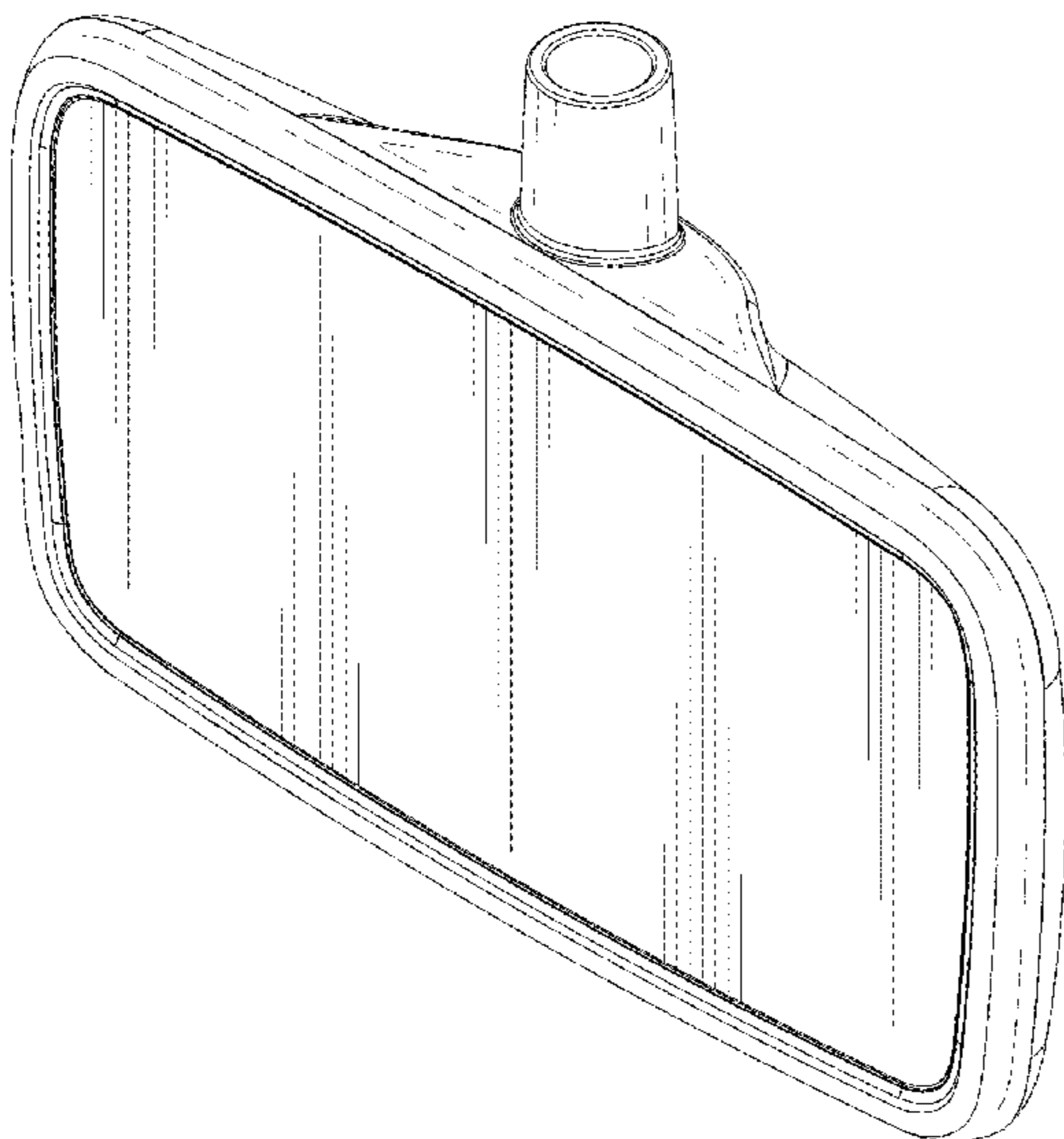
The ornamental design for a control panel for linear actuator, as shown and described.

DESCRIPTION

FIG. 1 is a perspective view of a control panel for linear actuator showing my new design;
FIG. 2 is a front view thereof;
FIG. 3 is a rear view thereof;
FIG. 4 is a left side view thereof;
FIG. 5 is a right side view thereof;
FIG. 6 is a top view thereof;
FIG. 7 is a bottom view thereof; and
FIG. 8 is the other perspective view showing the control panel for linear actuator; and,
FIG. 9 is a perspective view of the control panel for linear actuator for reference.

The broken lines shown represent unclaimed subject matter and form no part of the claimed design.

1 Claim, 7 Drawing Sheets



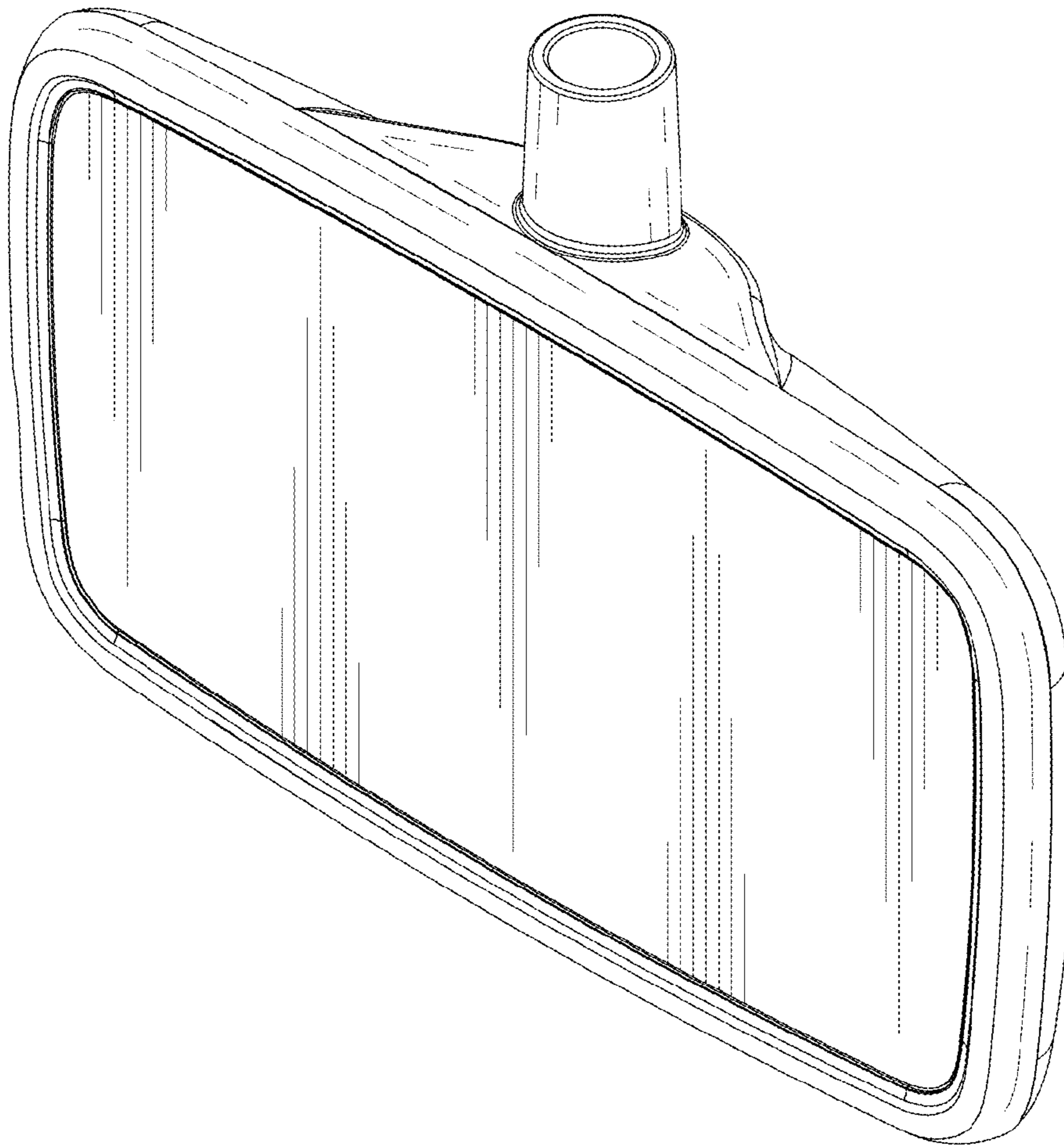


FIG.1

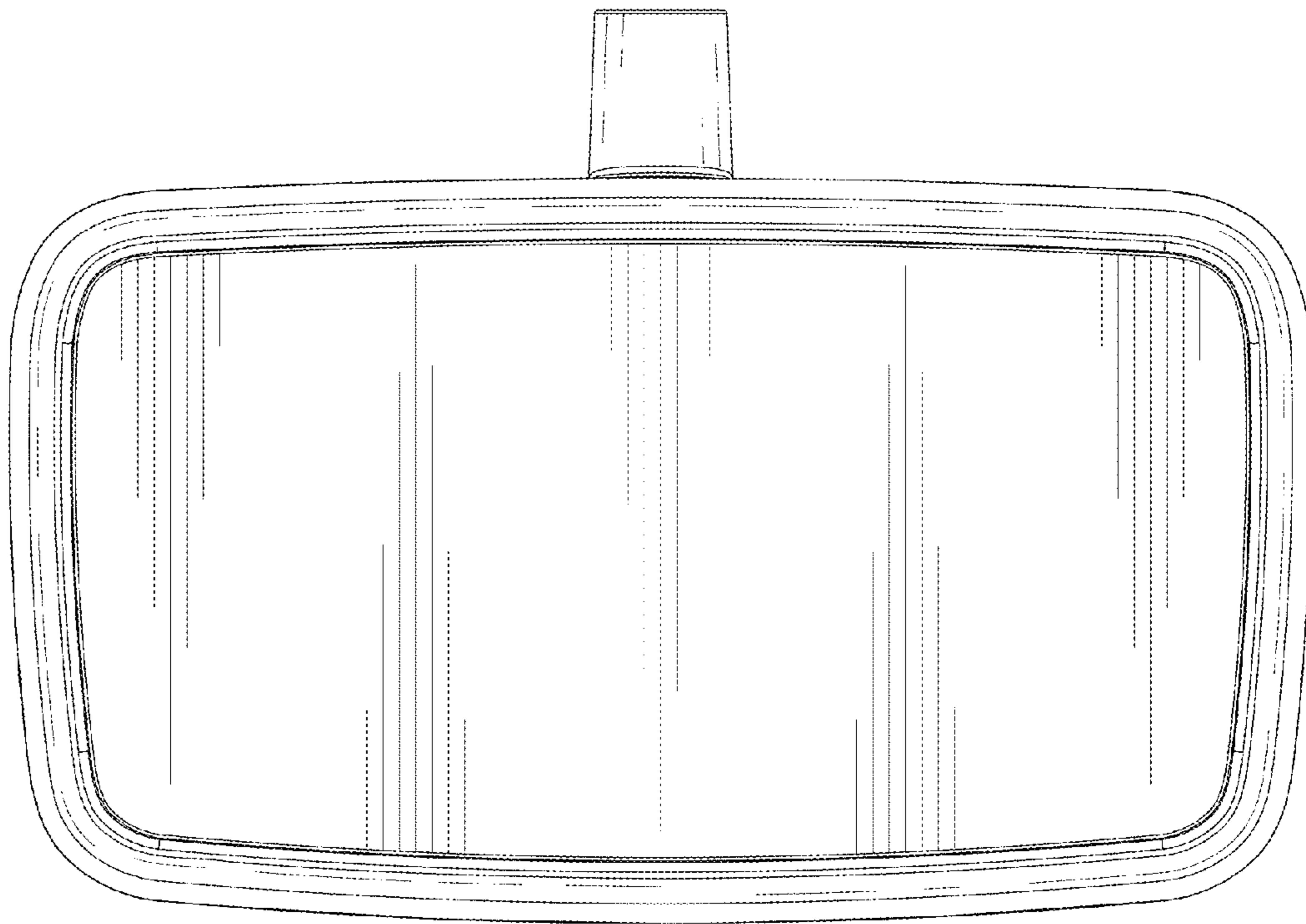


FIG. 2

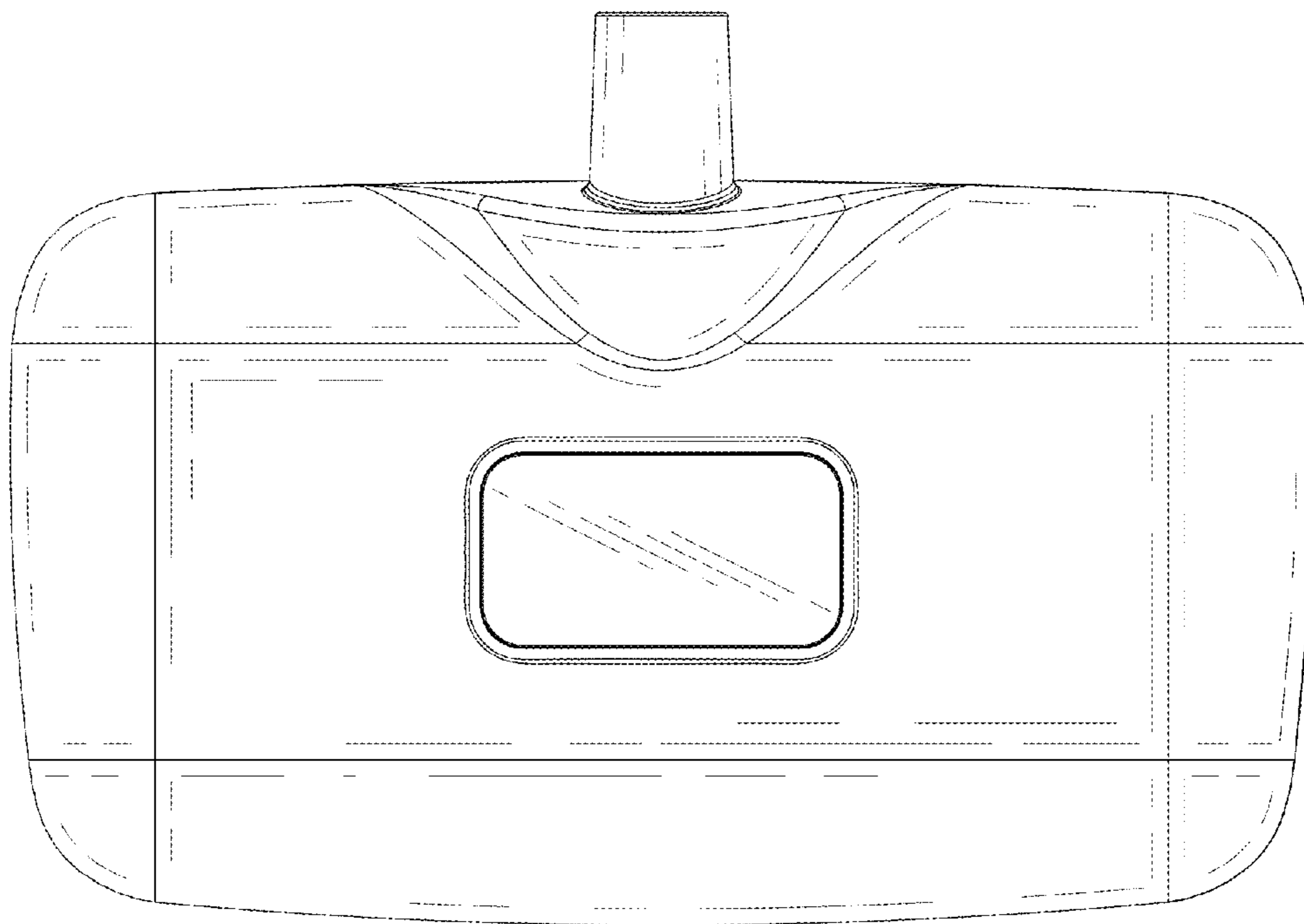


FIG.3

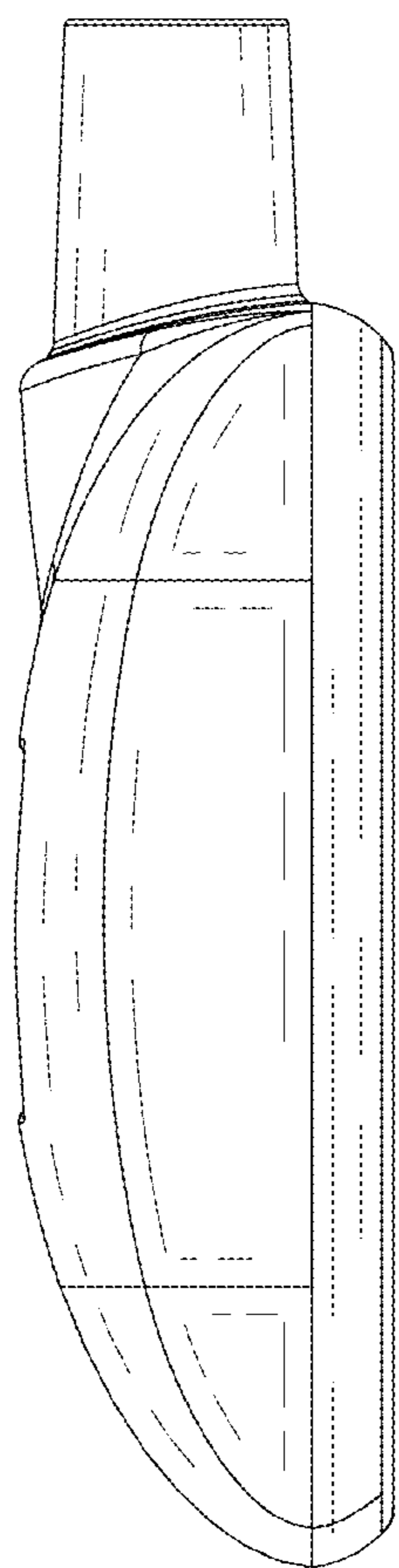


FIG. 4

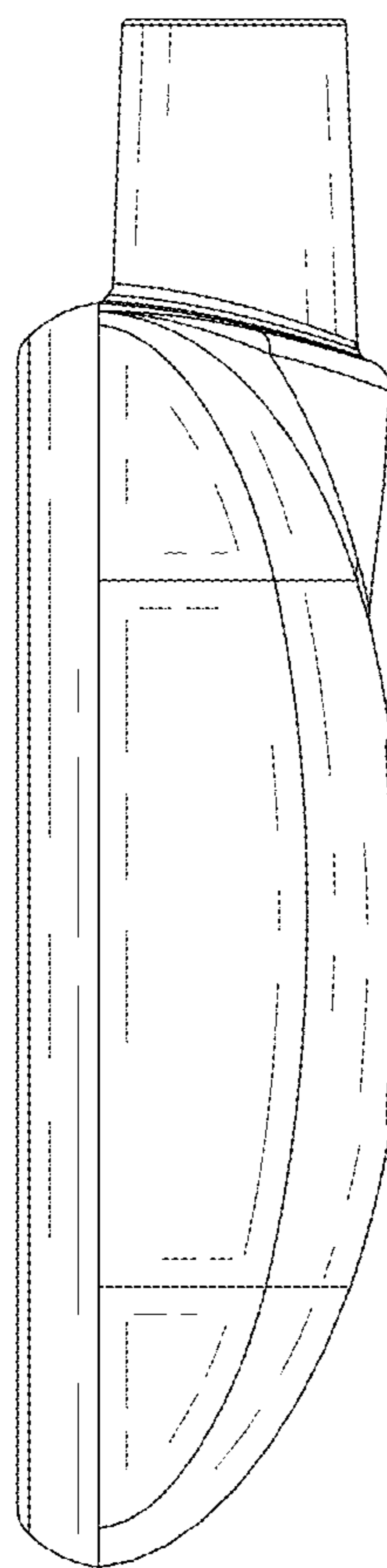


FIG. 5

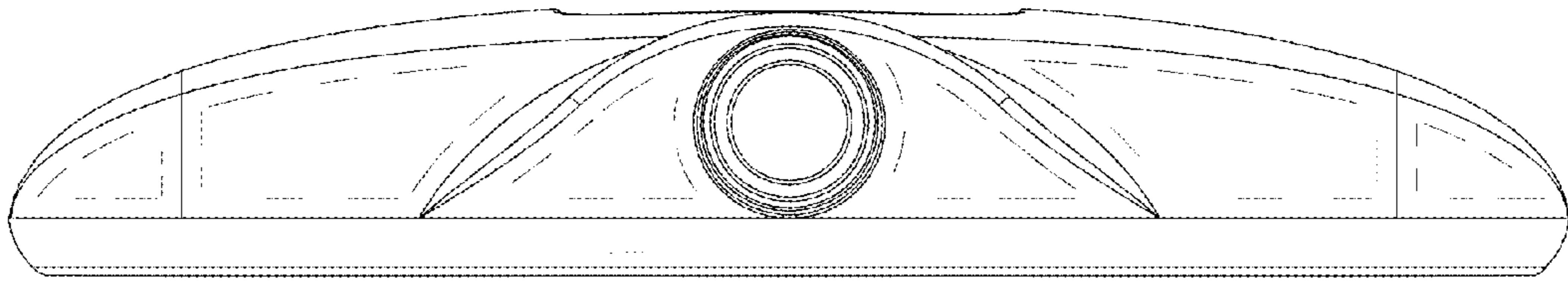


FIG. 6

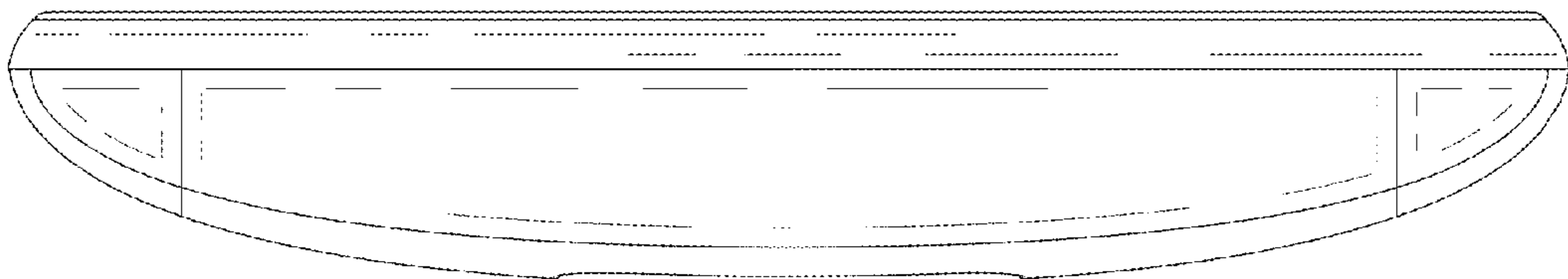


FIG. 7

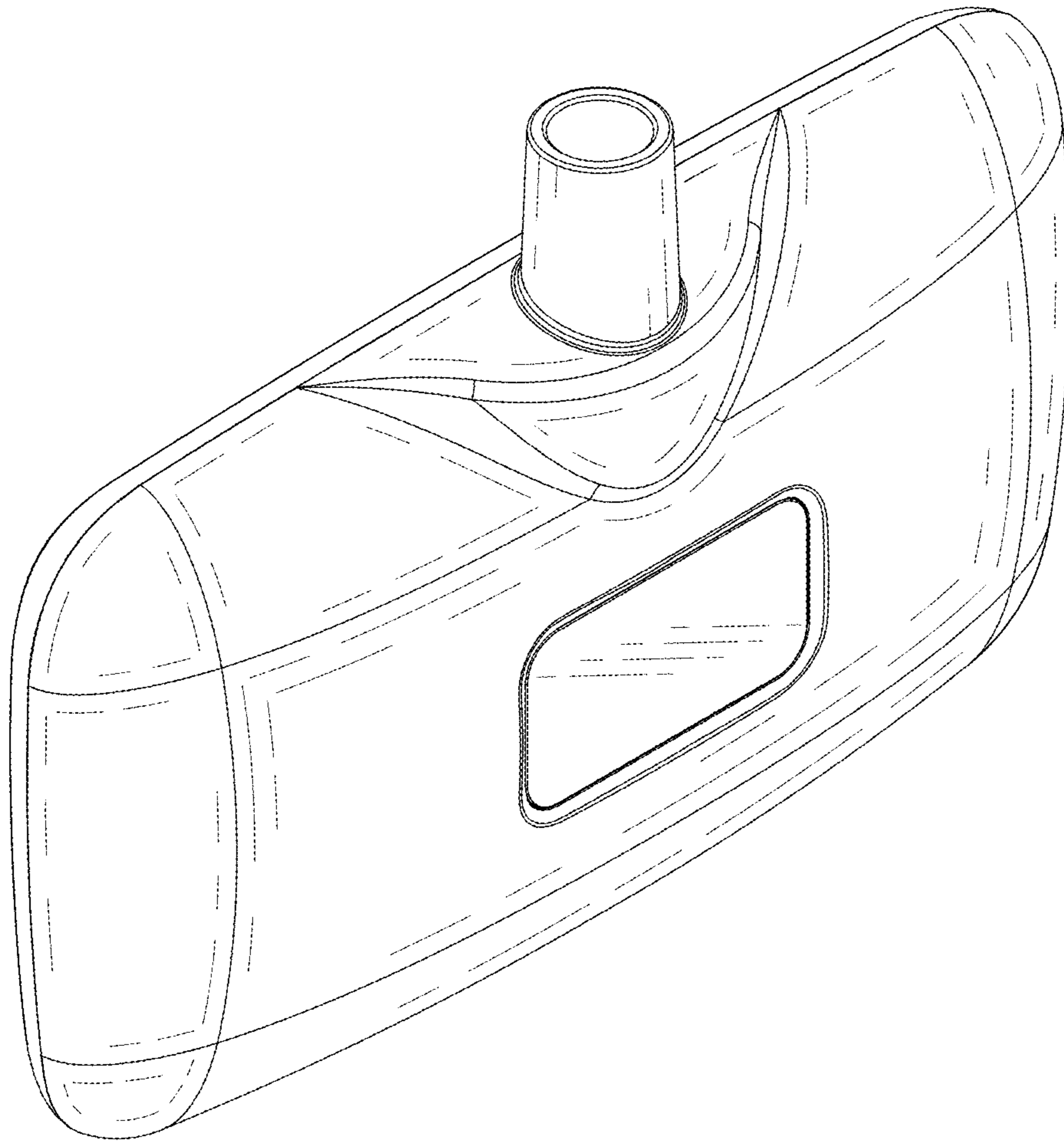


FIG.8

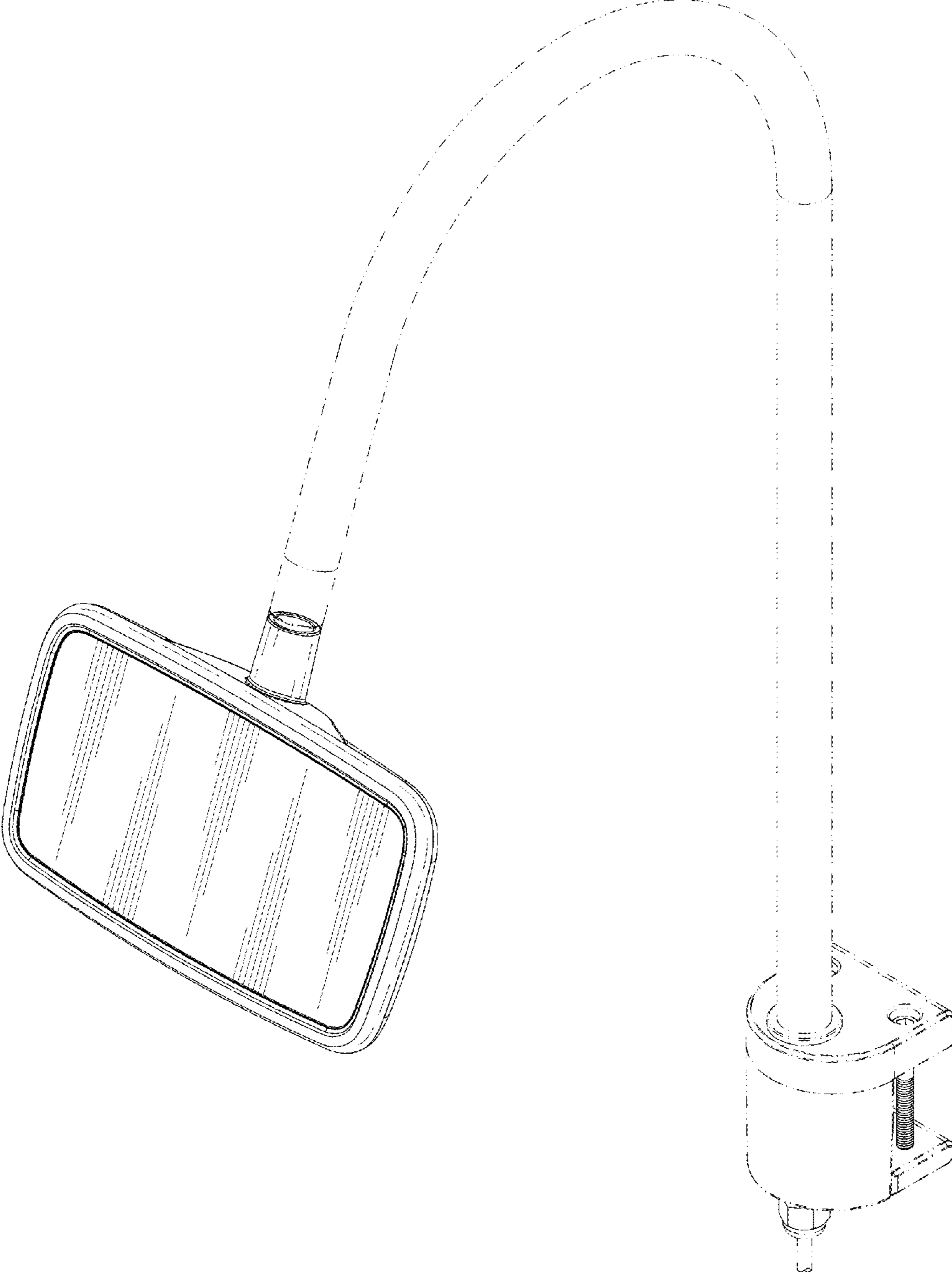


FIG.9