



US00D719531S

(12) **United States Design Patent**
Graham et al.

(10) **Patent No.:** **US D719,531 S**
(45) **Date of Patent:** **** Dec. 16, 2014**

(54) **SIGNALING RELAY**

FOREIGN PATENT DOCUMENTS

(71) Applicant: **David Stuckey Investments Pty Ltd**,
Melbourne, Victoria (AU)

AU 354221 S * 3/2014

(72) Inventors: **Brent Graham**, Pakenham (AU);
Michael Strike, Tullamarine (AU);
Tenry Kusuma Negara, Cikarang (ID);
Heri Ekonanto, Cikarang (ID); **Jarrod**
Crivelli, Greensborough (AU); **Ingot**
Marito Nainggolan, Jakarta Timur (ID)

OTHER PUBLICATIONS

Signalling relays, posted Apr. 15, 2013, [online], [site visited Aug. 19, 2014]. Available from Internet, <URL: <https://web.archive.org/web/20130415041542/http://www.morssmitt.com/railway/signaling-infrastructure/signalling-relays/>>.*

* cited by examiner

(73) Assignee: **David Stuckey Investments Pty Ltd.**,
Tullamarine, Victoria (AU)

Primary Examiner — Thomas Johannes
Assistant Examiner — Shawn T Gingrich

(**) Term: **14 Years**

(74) *Attorney, Agent, or Firm* — David G. Rosenbaum; J. Peter Paredes; Rosenbaum IP, P.C.

(21) Appl. No.: **29/481,020**

(22) Filed: **Jan. 31, 2014**

(57) **CLAIM**

The ornamental design for a signaling relay, as shown and described.

(30) **Foreign Application Priority Data**

Aug. 28, 2013 (AU) 14256/2013

(51) **LOC (10) Cl.** **13-03**

(52) **U.S. Cl.**
USPC **D13/159**

(58) **Field of Classification Search**
USPC D13/103, 104, 110, 112, 123, 128, 130,
D13/133, 139.1, 139.3, 158-161, 164, 184,
D13/199, 177; 335/202; 257/427; 361/632,
361/819; 200/50.07, 295; 439/606, 620,
439/620.27, 620.29; 337/186
See application file for complete search history.

DESCRIPTION

FIG. 1 is a front perspective view from above of the inventive design of a signaling relay in accordance with design of the present invention;

FIG. 2 is a rear perspective view from below thereof;

FIG. 3 is a front exploded perspective view from above thereof;

FIG. 4 is a front view thereof;

FIG. 5 is a rear view thereof;

FIG. 6 is a left side view thereof;

FIG. 7 is a right side view thereof;

FIG. 8 is a plan view thereof; and,

FIG. 9 is a bottom view thereof.

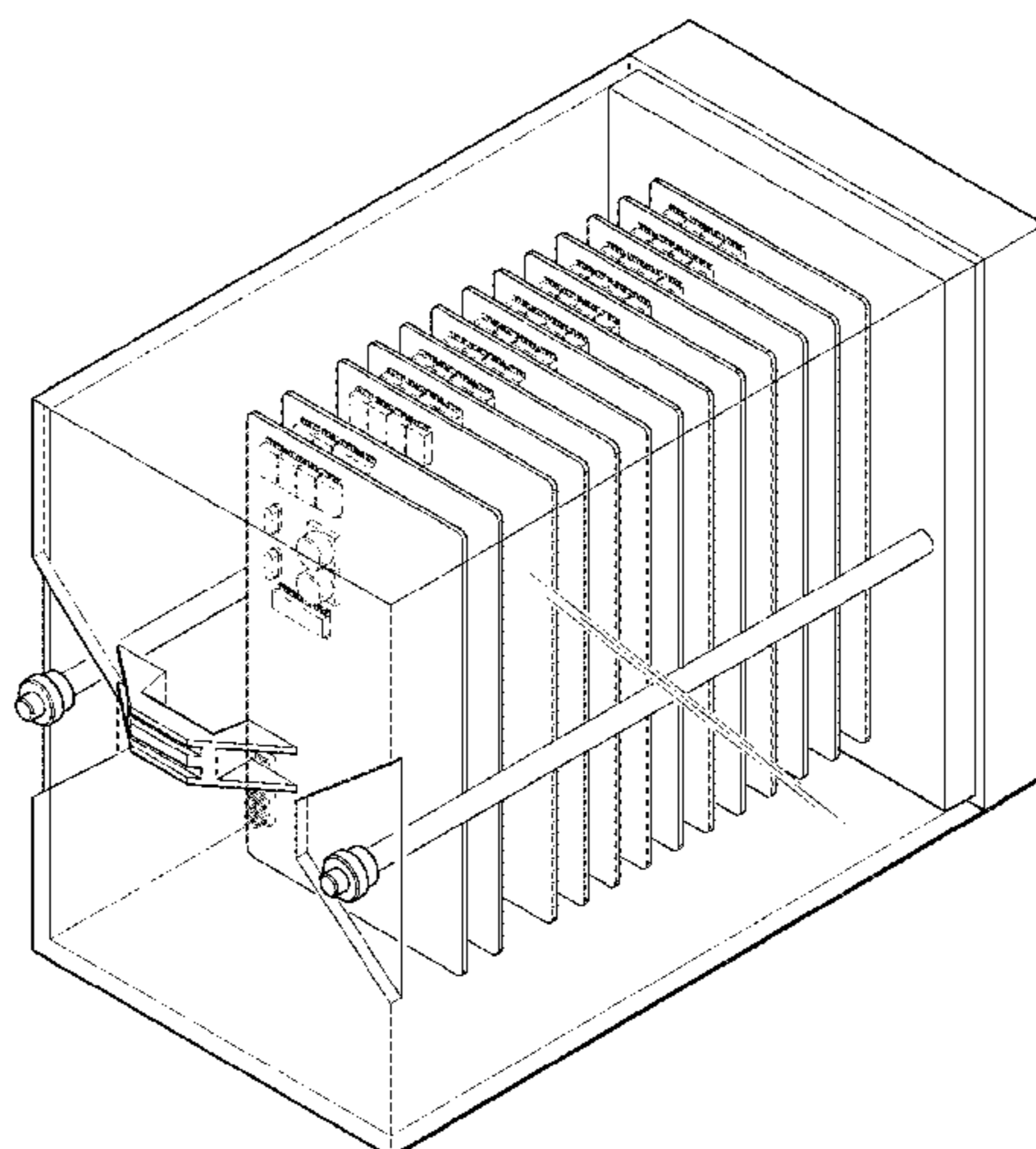
The Dash-Dash broken line portion of the figure drawings is included to show unclaimed subject matter only and forms no part of the claimed design. The Dot-Dot-Dash broken line portion of the FIG. 3 is included to show assembly alignment and forms no part of the claimed design.

(56) **References Cited**

U.S. PATENT DOCUMENTS

D250,184 S *	11/1978	Fujita et al.	D13/159
D251,840 S *	5/1979	Fujita	D13/159
4,174,508 A *	11/1979	Lichtenberger	335/202
D314,557 S *	2/1991	Fesmire et al.	D13/160
D558,486 S *	1/2008	Hoang et al.	D6/470
D700,462 S *	3/2014	Boos	D6/661

1 Claim, 9 Drawing Sheets



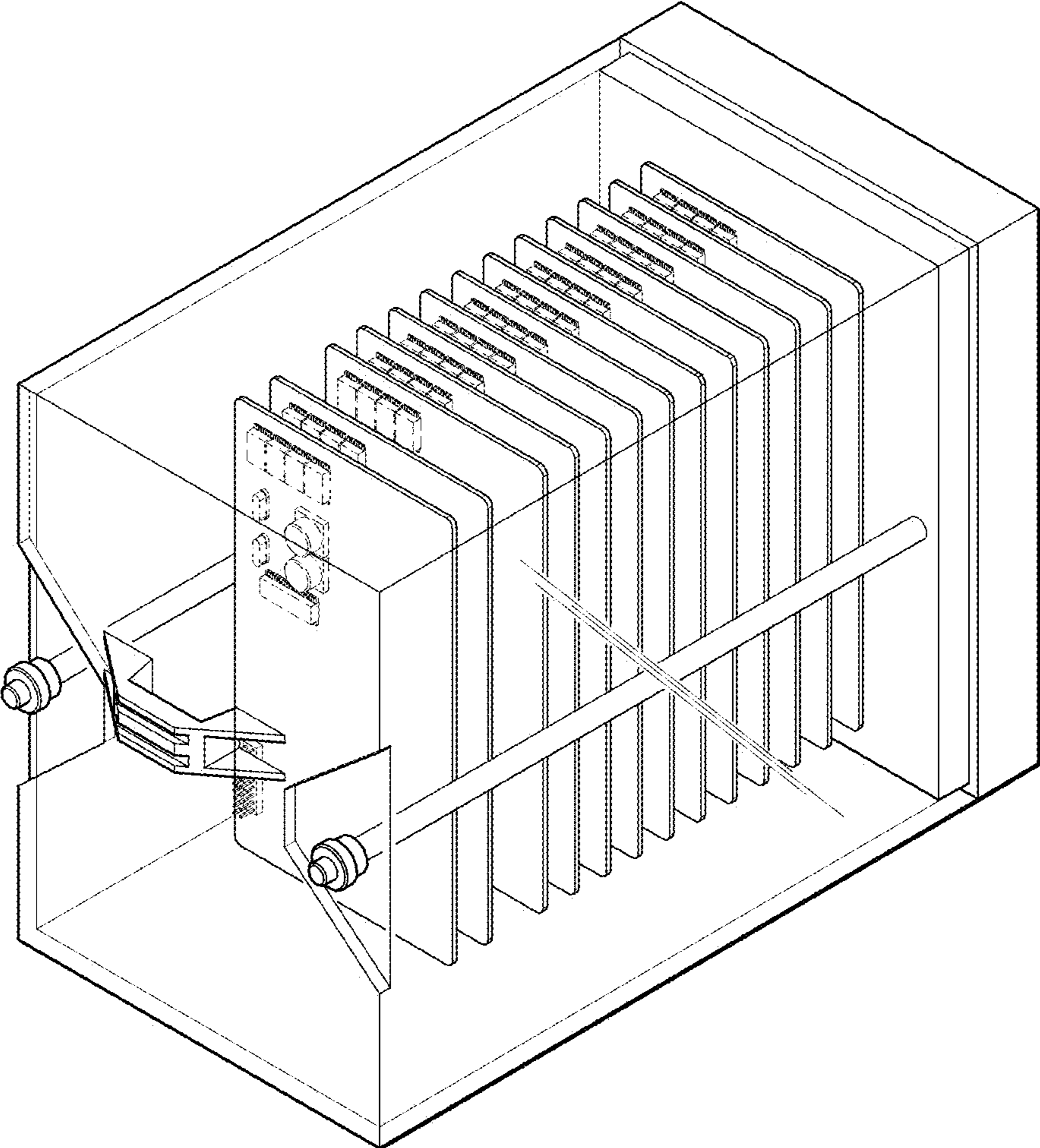


FIG. 1

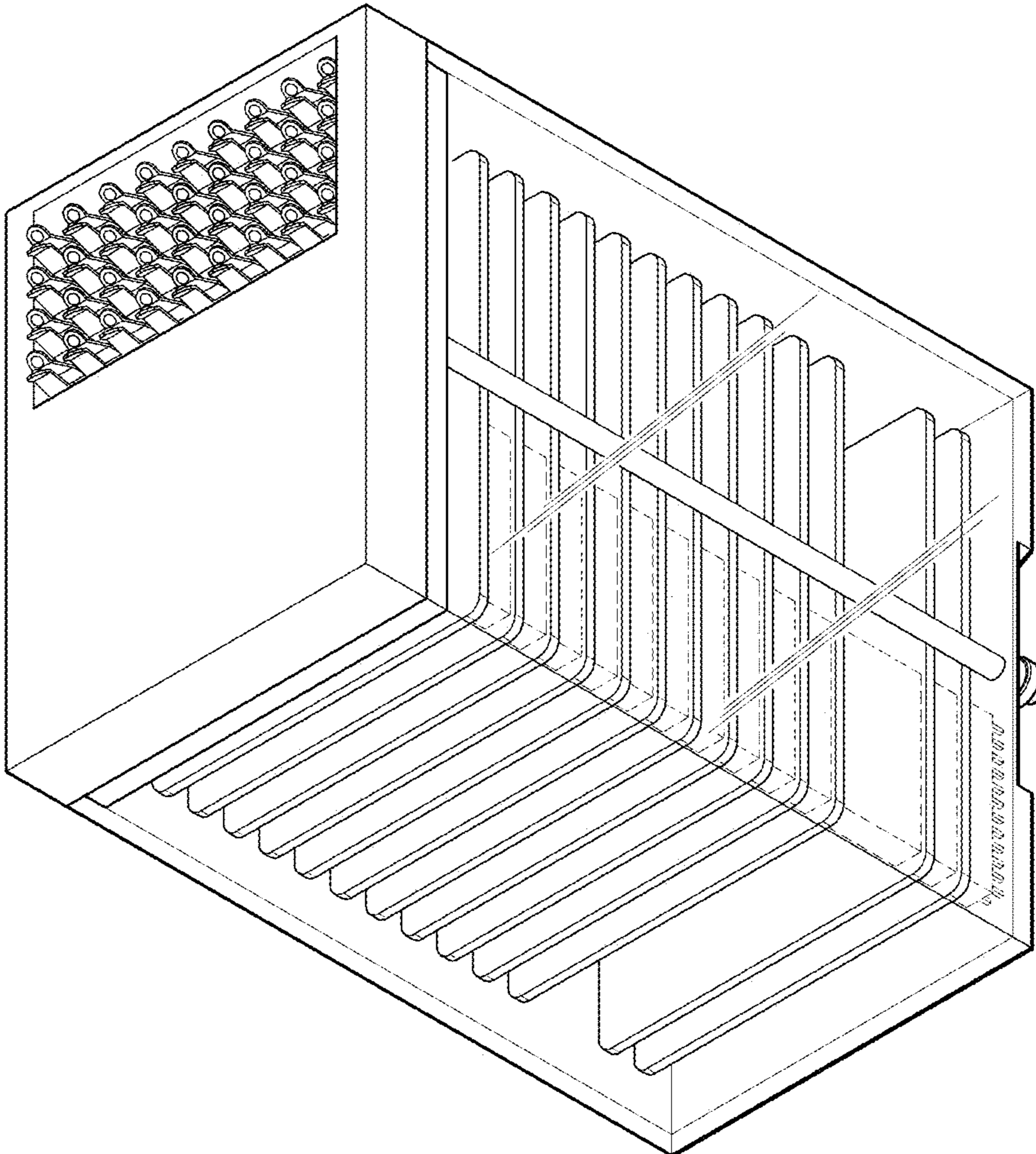


FIG. 2

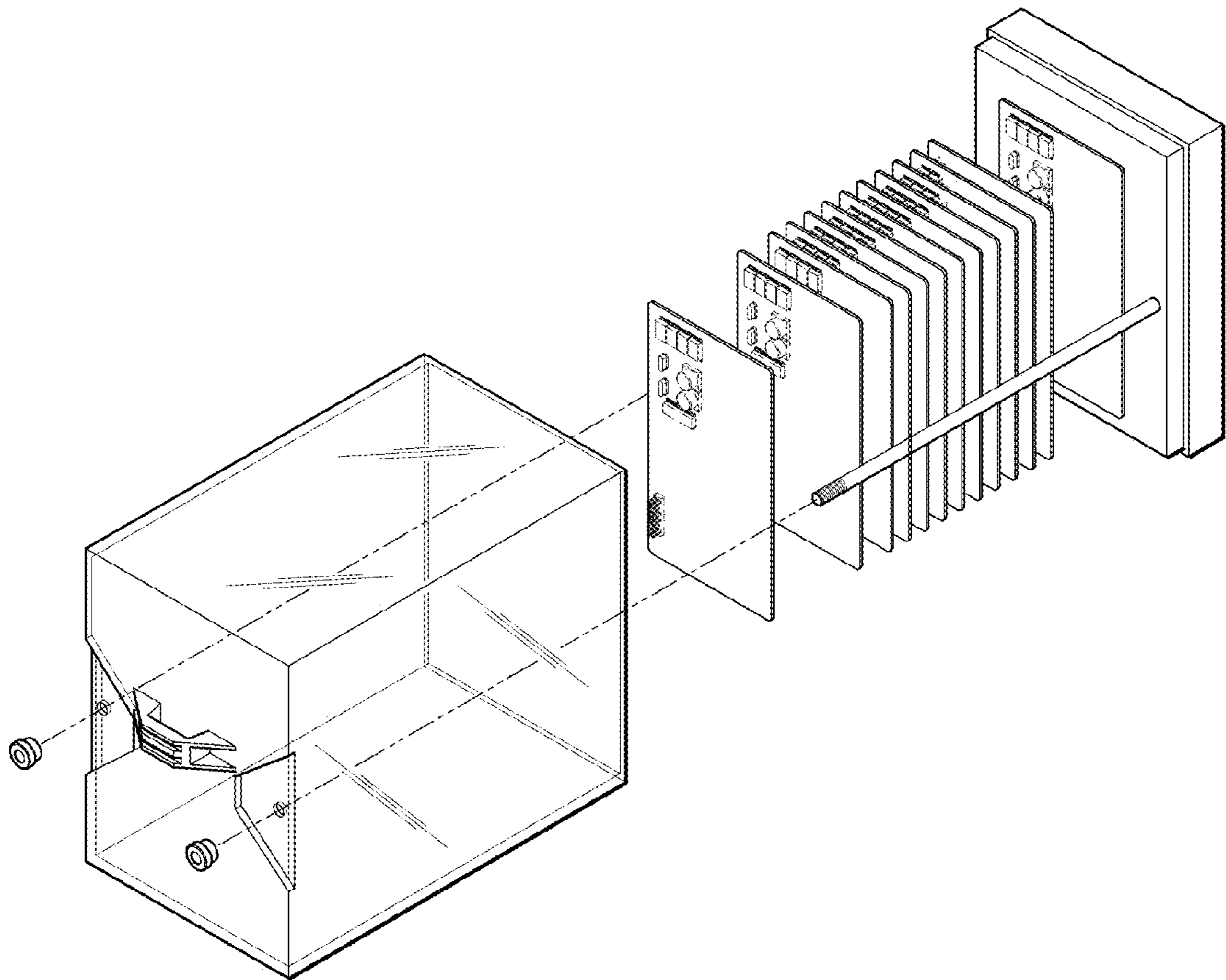


FIG. 3

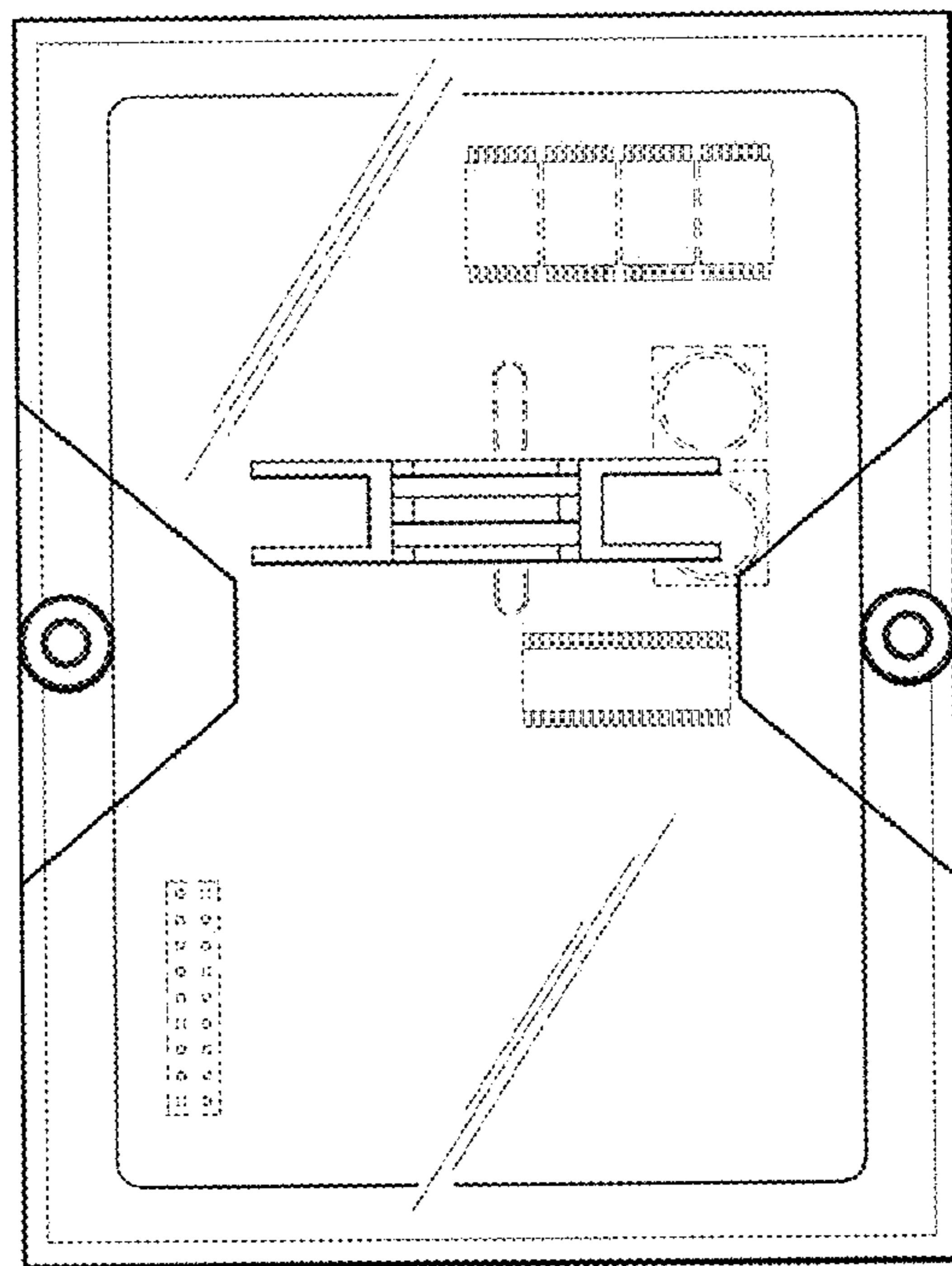


FIG. 4

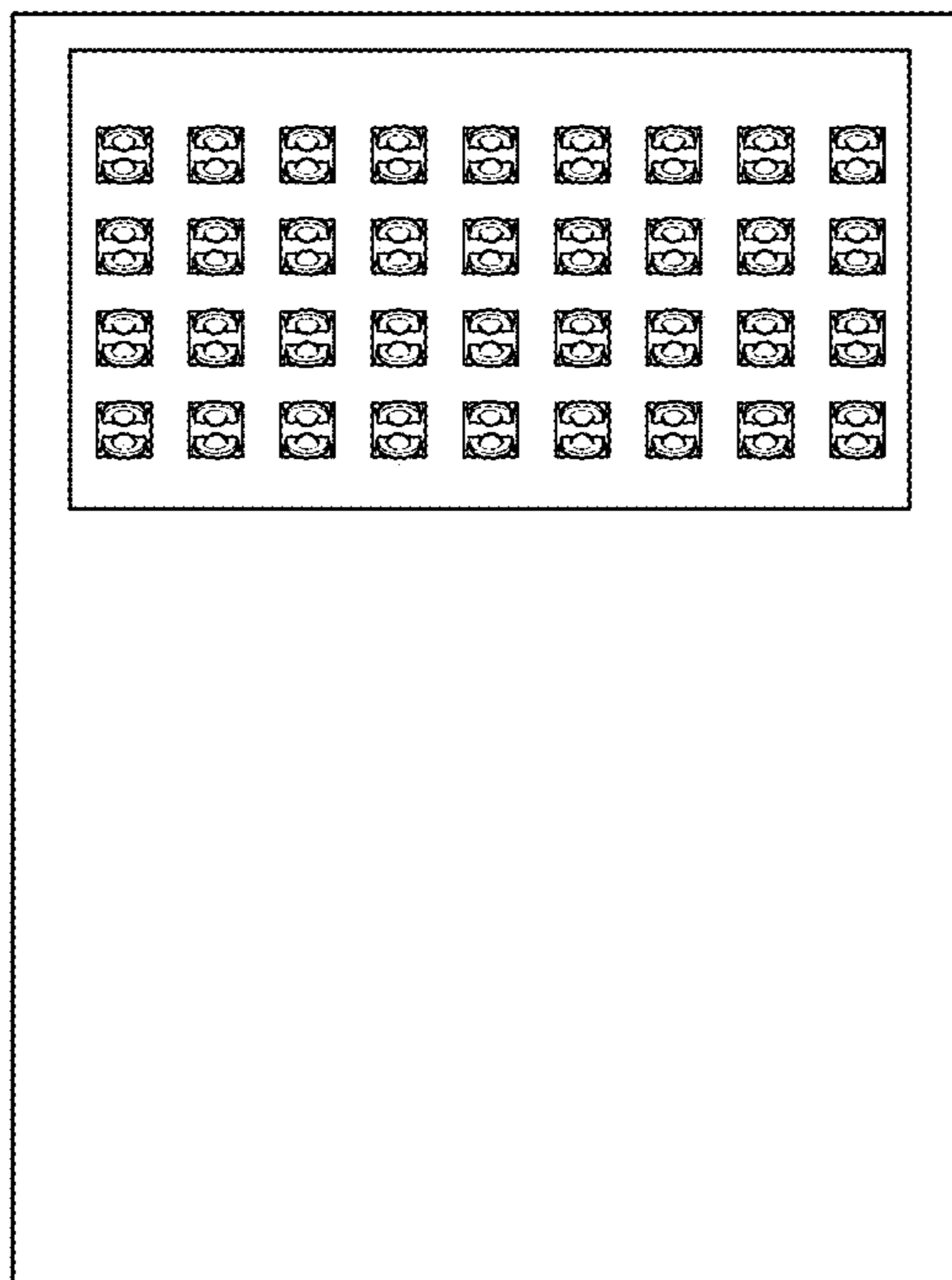


FIG. 5

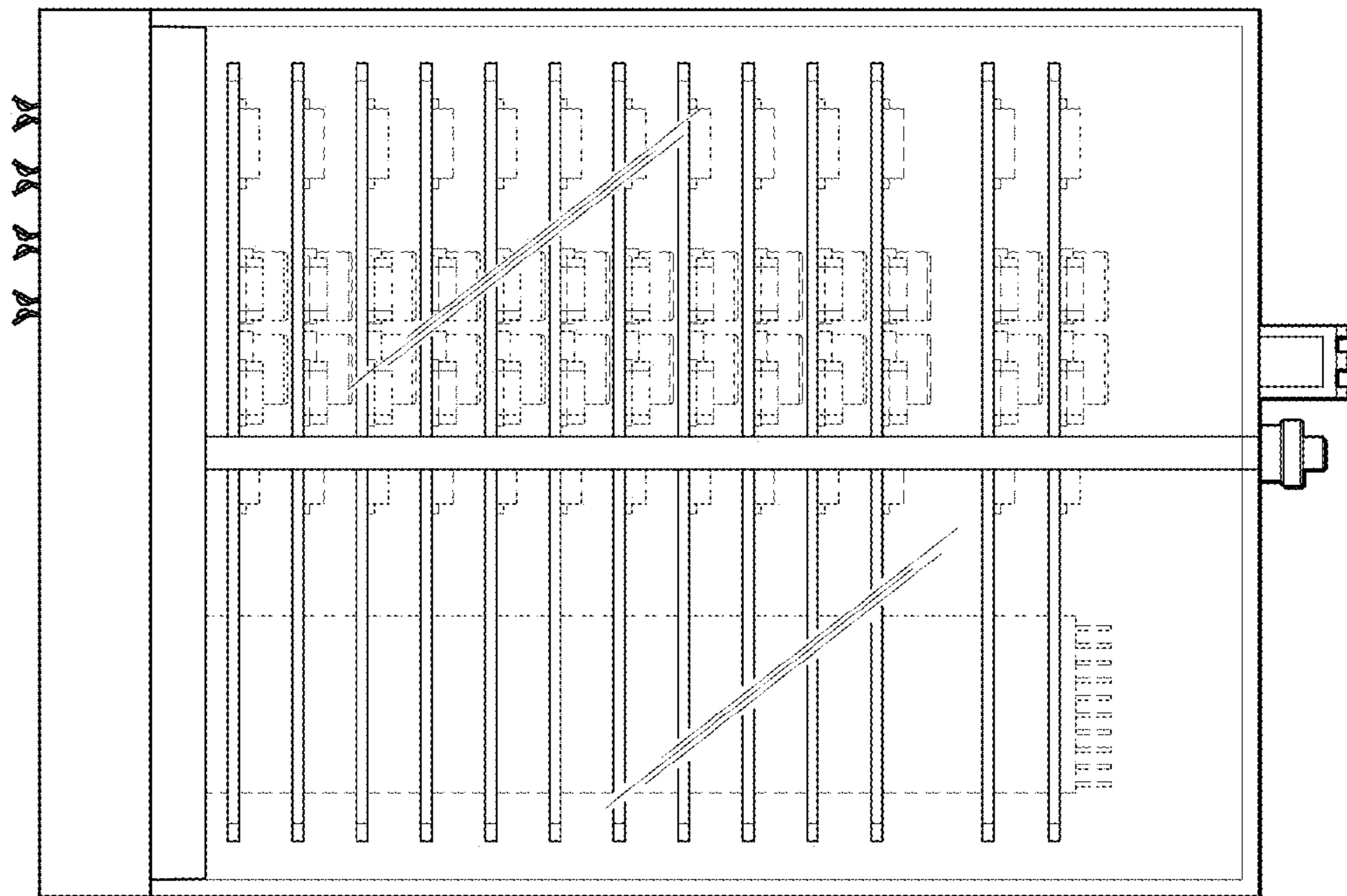


FIG. 6

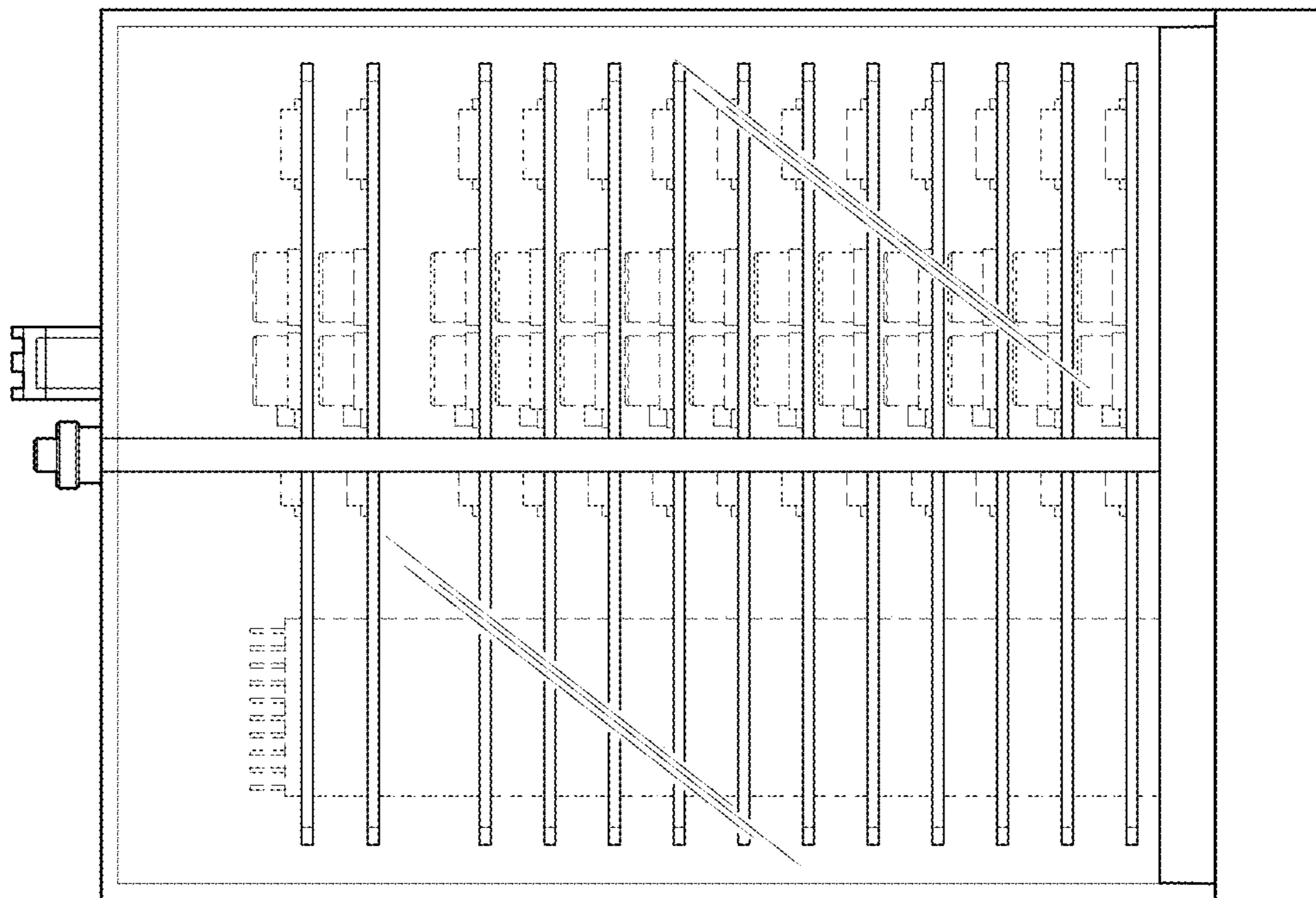


FIG. 7

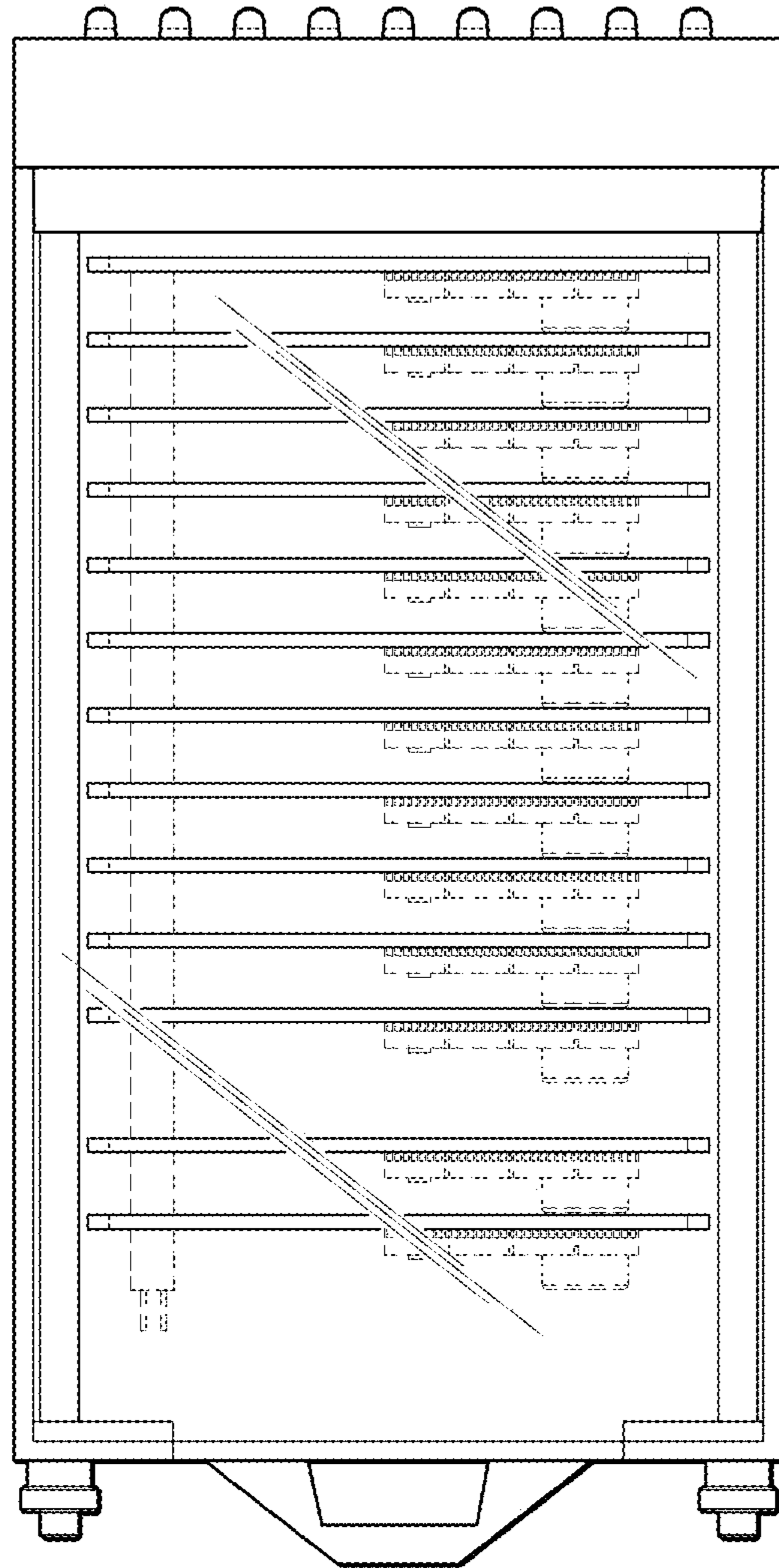


FIG. 8

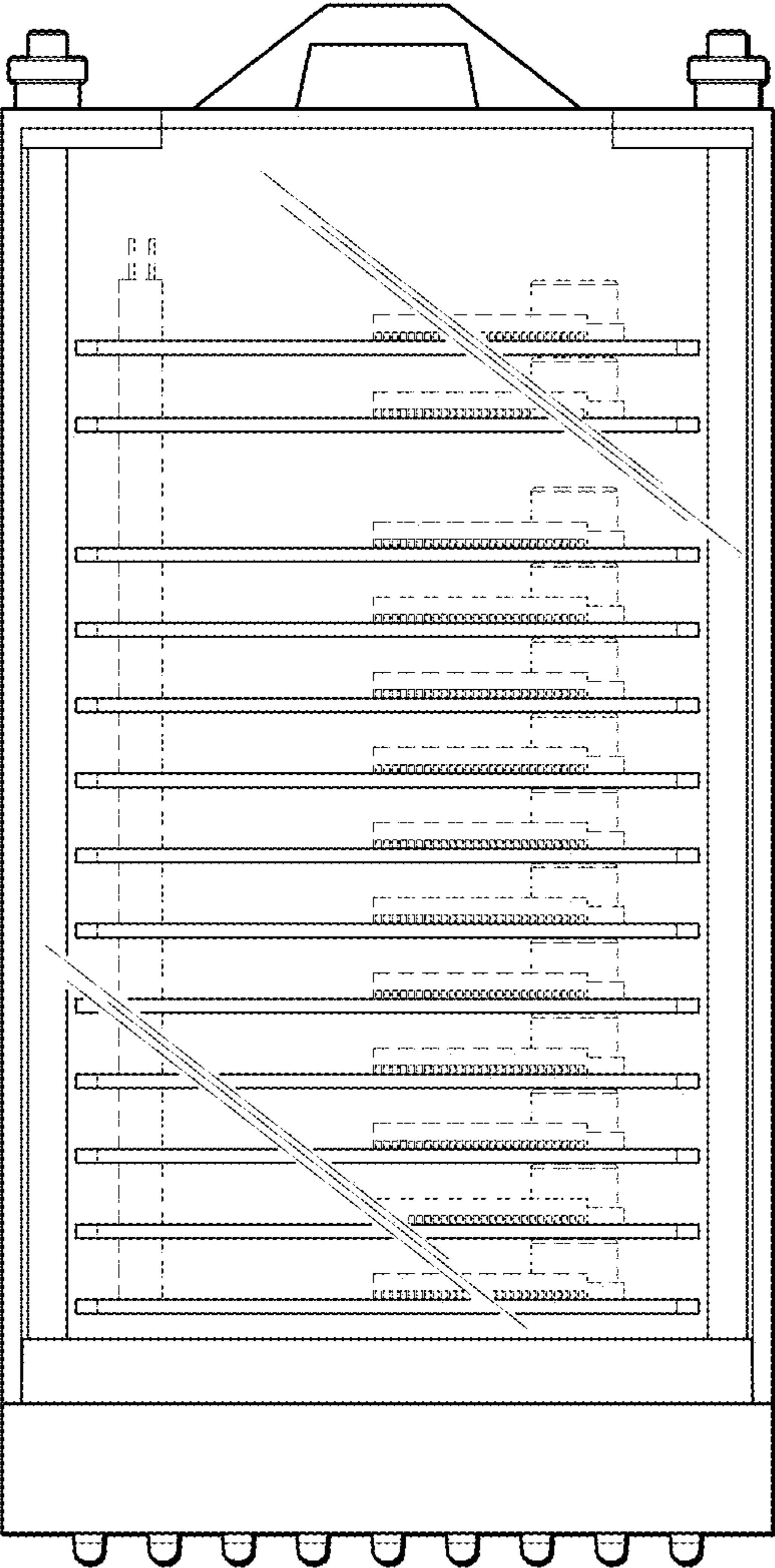


FIG. 9