



US00D719529S

(12) **United States Design Patent**
Hagarty

(10) **Patent No.:** **US D719,529 S**

(45) **Date of Patent:** **** Dec. 16, 2014**

(54) **PLASTER RING WITH CENTER BOSSES**

8,253,040 B2 8/2012 Hopkins
D698,737 S 2/2014 Hagarty
2010/0084155 A1* 4/2010 Jafari 174/58

(71) Applicant: **RANDL Industries, Inc.**, Spokane Valley, WA (US)

OTHER PUBLICATIONS

(72) Inventor: **Robert J. Hagarty**, Spokane, WA (US)

Hagarty, R.J., "Outlet Box Adapter," U.S. Appl. No. 29/393,963, filed Jun. 10, 2011.

(73) Assignee: **RANDL Industries, Inc.**, Spokane Valley, WA (US)

Hagarty, R.J., "Plaster Ring," U.S. Appl. No. 29/424,576, filed Jun. 13, 2012.

(**) Term: **14 Years**

Hagarty, R.J., "Plaster Ring," U.S. Appl. No. 29/447,297, filed Mar. 1, 2013.

(21) Appl. No.: **29/486,883**

Hagarty, R.J., "Plaster Ring With Wide Flange," U.S. Appl. No. 29/471,962, filed Nov. 6, 2013.

(22) Filed: **Apr. 3, 2014**

Hagarty, R.J., "Plaster Ring With Off-Center Aperture," U.S. Appl. No. 29/471,963, filed Nov. 6, 2013.

(51) **LOC (10) Cl.** **13-03**

* cited by examiner

(52) **U.S. Cl.**

USPC **D13/156**

Primary Examiner — Derrick Holland

(58) **Field of Classification Search**

USPC D13/156, 133, 152, 154, 173, 177, 184,
D13/199; 174/53, 55, 58, 66, 67, 68.1, 82;
220/3.2, 3.3, 3.5, 3.6, 3.9; 248/27.1;
439/527, 535, 536, 537

(74) *Attorney, Agent, or Firm* — Christensen O'Connor Johnson Kindness PLLC

See application file for complete search history.

(57) **CLAIM**

The ornamental design for a plaster ring with center bosses, as shown.

DESCRIPTION

(56) **References Cited**

U.S. PATENT DOCUMENTS

4,790,505 A	12/1988	Rose	
D342,938 S	1/1994	Cheatham	
D379,622 S	6/1997	Lynn	
6,066,803 A	5/2000	Hagarty	
6,103,972 A	8/2000	Hagarty	
6,166,329 A *	12/2000	Oliver et al.	174/58
6,379,166 B1	4/2002	Hagarty	
6,384,334 B1	5/2002	Webb	
6,608,252 B2 *	8/2003	Hurley	174/58
D493,695 S	8/2004	Wengrower	
6,858,802 B2	2/2005	Hagarty	
D540,654 S	4/2007	Aubert Capella	
7,271,336 B2	9/2007	Dinh	
D555,108 S	11/2007	Strong	
7,301,099 B1 *	11/2007	Korcz	174/58
7,645,936 B2 *	1/2010	Magno, Jr.	174/53

FIG. 1 is a perspective view of a plaster ring with center bosses in accordance with the present design;

FIG. 2 is a front view of the plaster ring with center bosses shown in FIG. 1;

FIG. 3 is a rear view of the plaster ring with center bosses shown in FIG. 1;

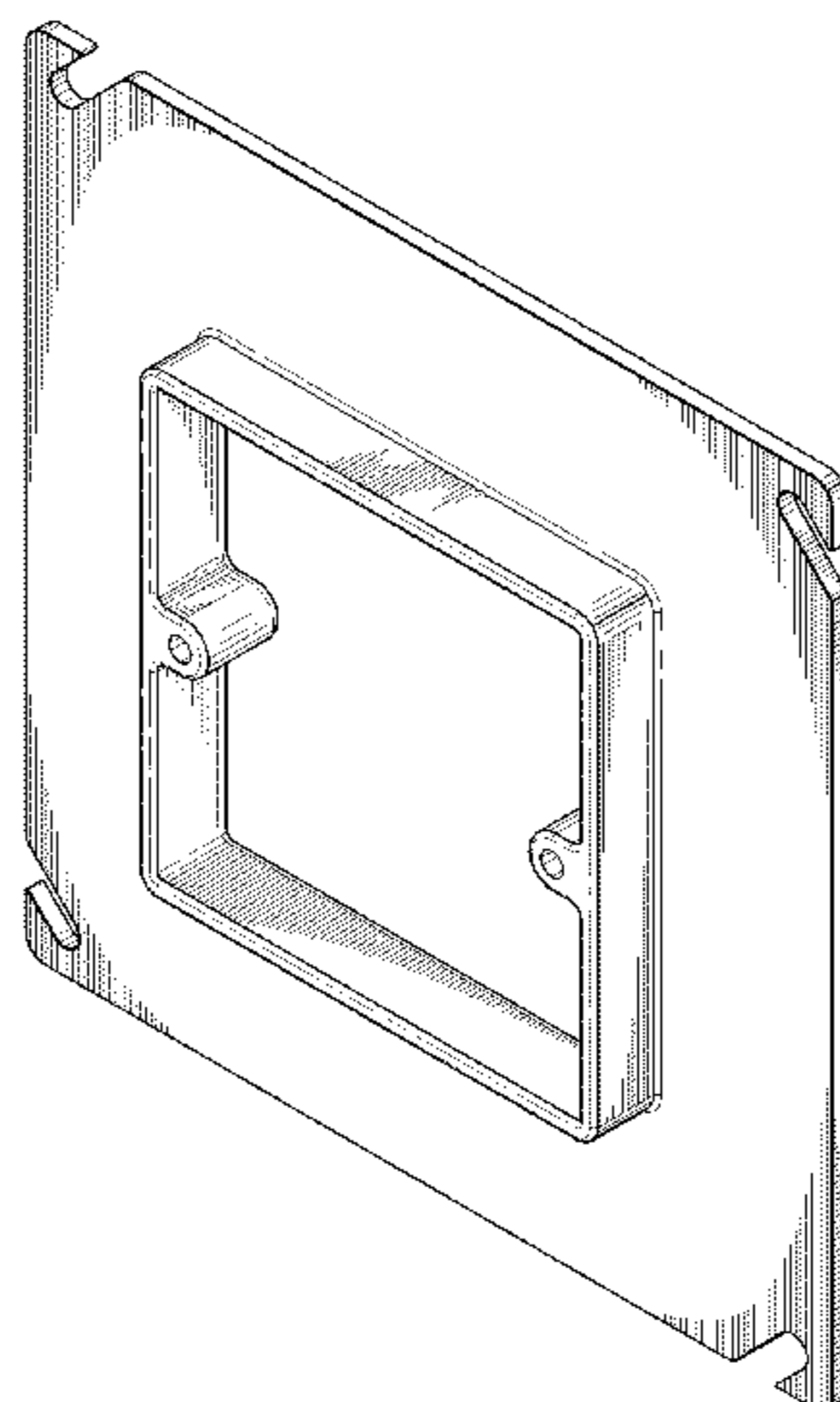
FIG. 4 is a top plan view of the plaster ring with center bosses shown in FIG. 1;

FIG. 5 is a bottom plan view of the plaster ring with center bosses shown in FIG. 1;

FIG. 6 is a left side view of the plaster ring with center bosses shown in FIG. 1; and,

FIG. 7 is a right side view of the plaster ring with center bosses shown in FIG. 1.

1 Claim, 4 Drawing Sheets



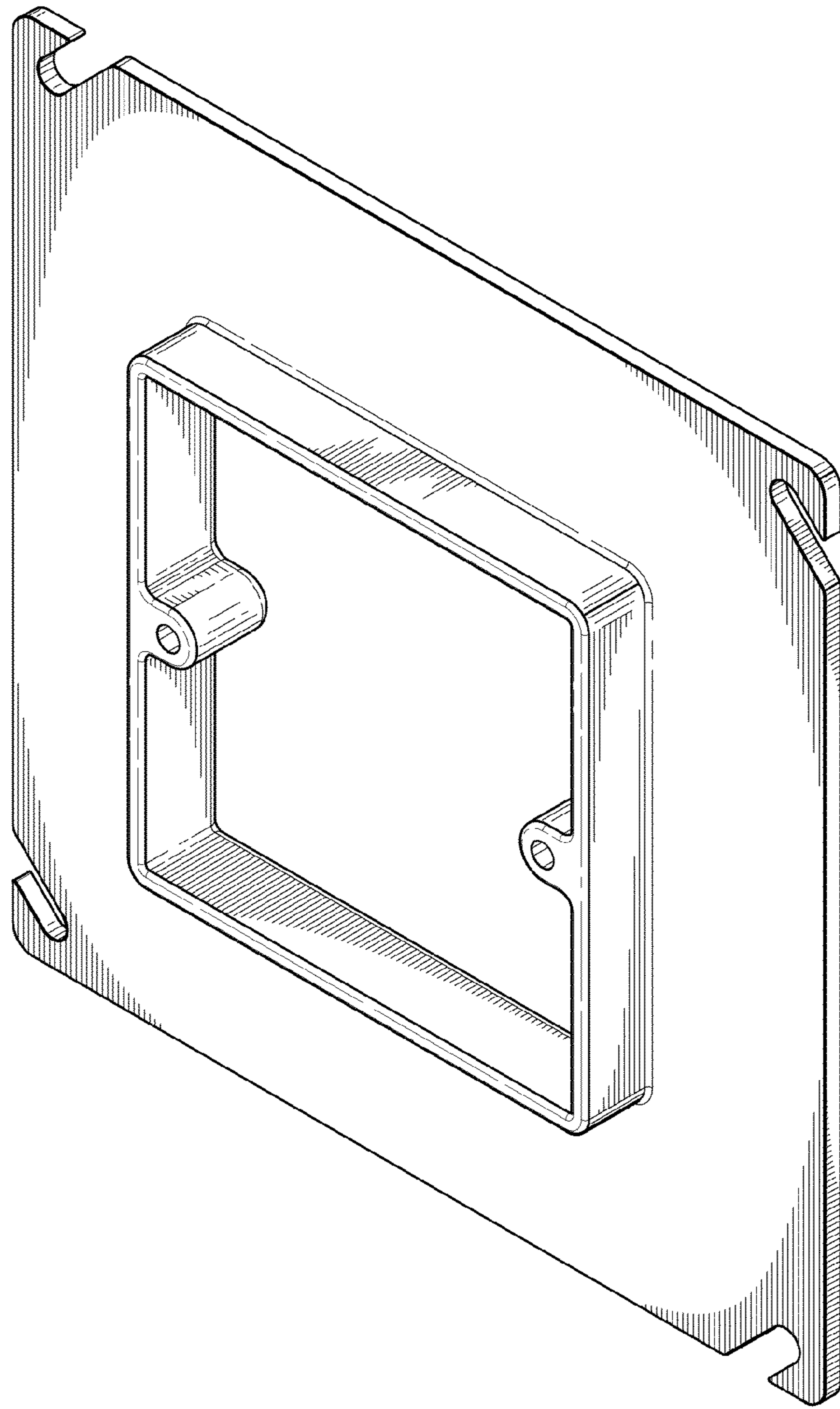


Fig. 1.

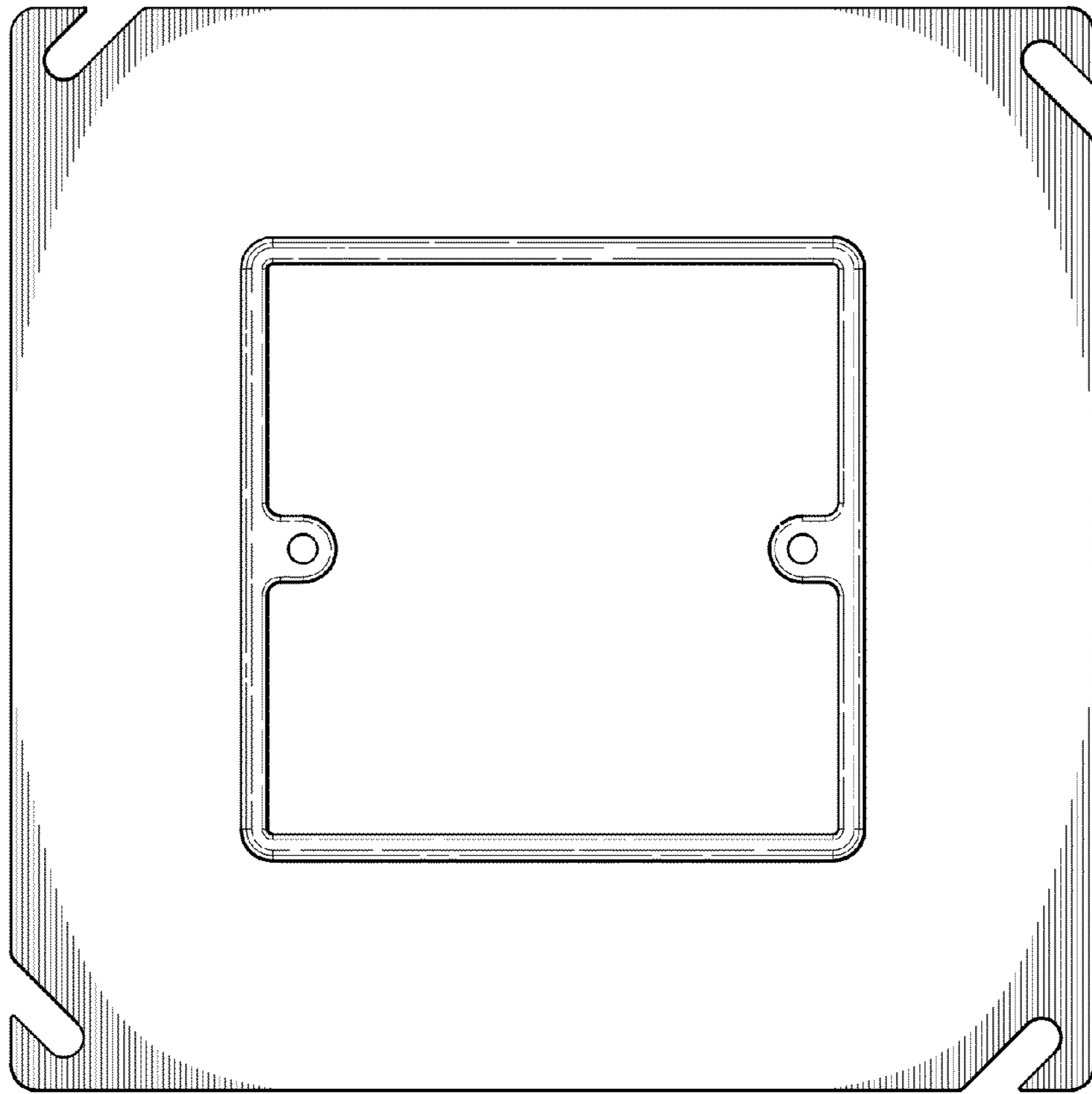


Fig. 2.

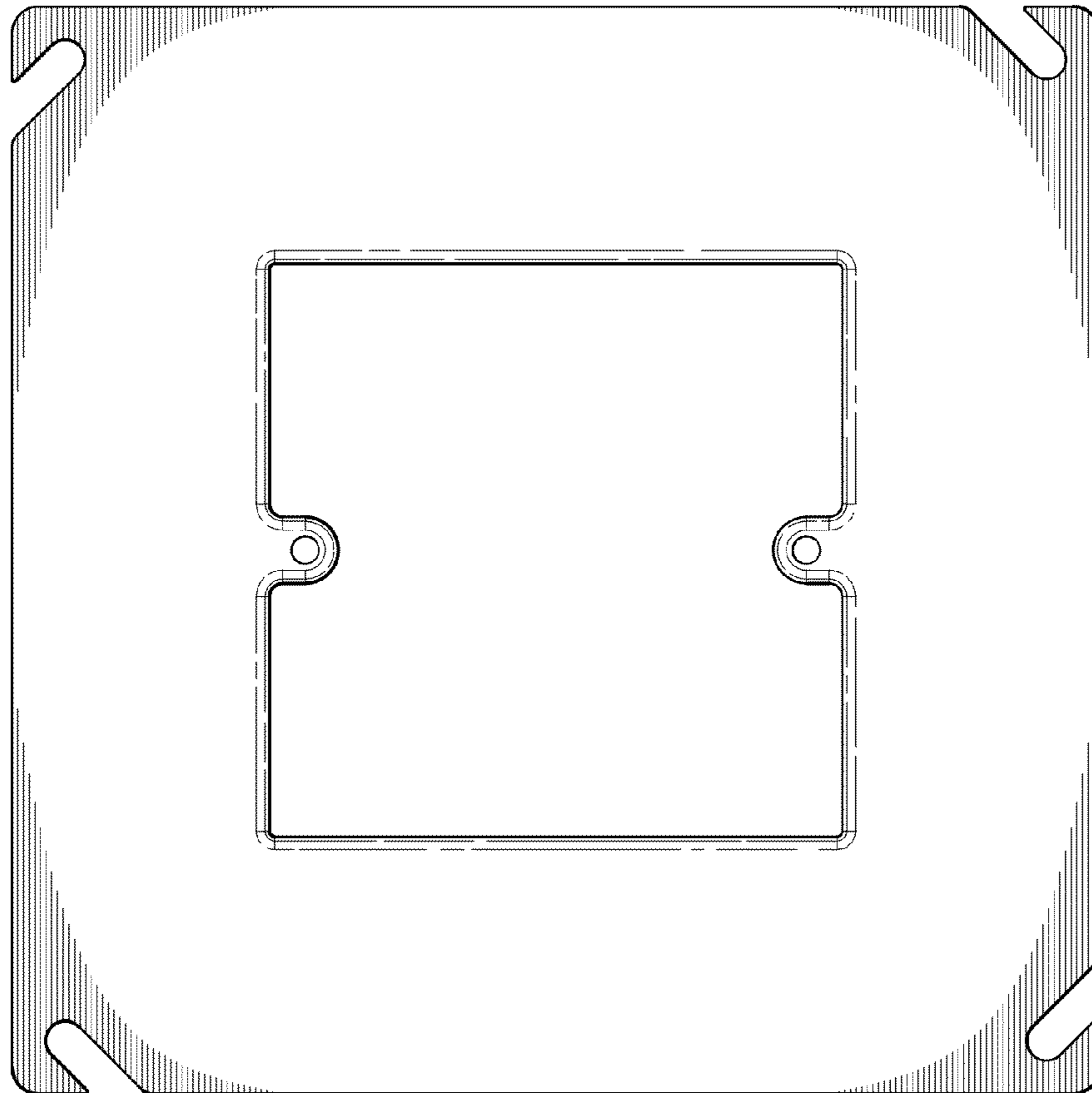


Fig. 3.

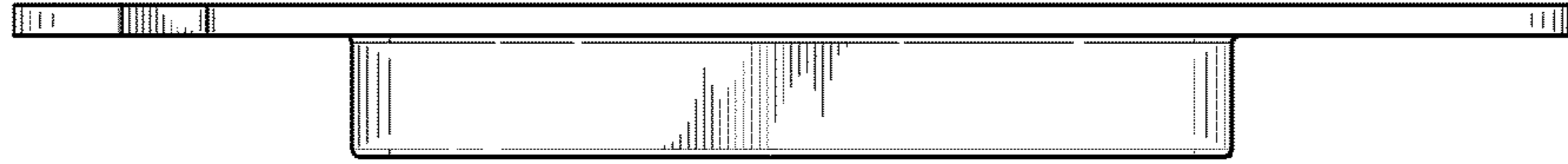


Fig. 4.

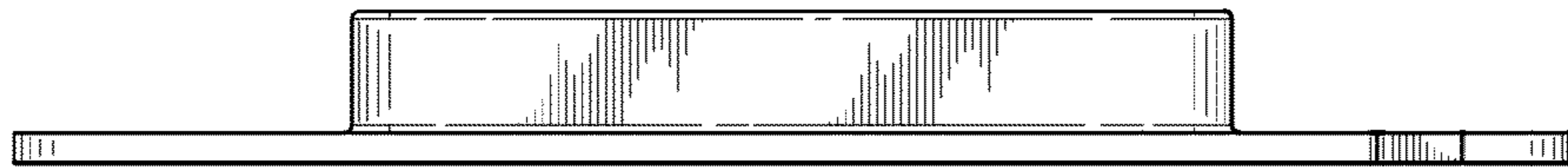


Fig. 5.



Fig. 6.

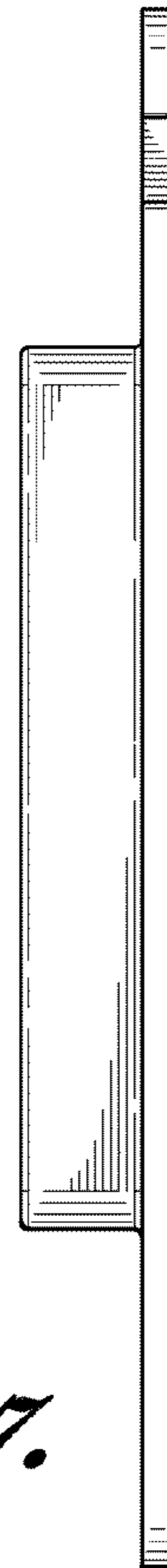


Fig. 7.