



US00D719526S

(12) **United States Design Patent**
Martinek

(10) **Patent No.:** **US D719,526 S**

(45) **Date of Patent:** **** Dec. 16, 2014**

(54) **ADAPTER PLUG STRAP FOR DEVICE CABLES**

(71) Applicant: **Ben Martinek**, Oakland, CA (US)

(72) Inventor: **Ben Martinek**, Oakland, CA (US)

(**) Term: **14 Years**

(21) Appl. No.: **29/488,680**

(22) Filed: **Apr. 22, 2014**

(51) **LOC (10) Cl.** **13-03**

(52) **U.S. Cl.**
USPC **D13/155**

(58) **Field of Classification Search**
USPC D13/155, 133, 151, 153, 154, 156, 184,
D13/199; D8/354, 394, 396; 174/59, 60,
174/135, 145; 439/101, 346, 445, 447, 456,
439/458, 527, 814

See application file for complete search history.

(56) **References Cited**

U.S. PATENT DOCUMENTS

D199,587 S *	11/1964	Piasecki	D8/396
D235,030 S *	4/1975	Ziff	D21/402
D644,613 S *	9/2011	Kiely	D13/155
D648,685 S *	11/2011	Symons	D13/155

* cited by examiner

Primary Examiner — Derrick Holland

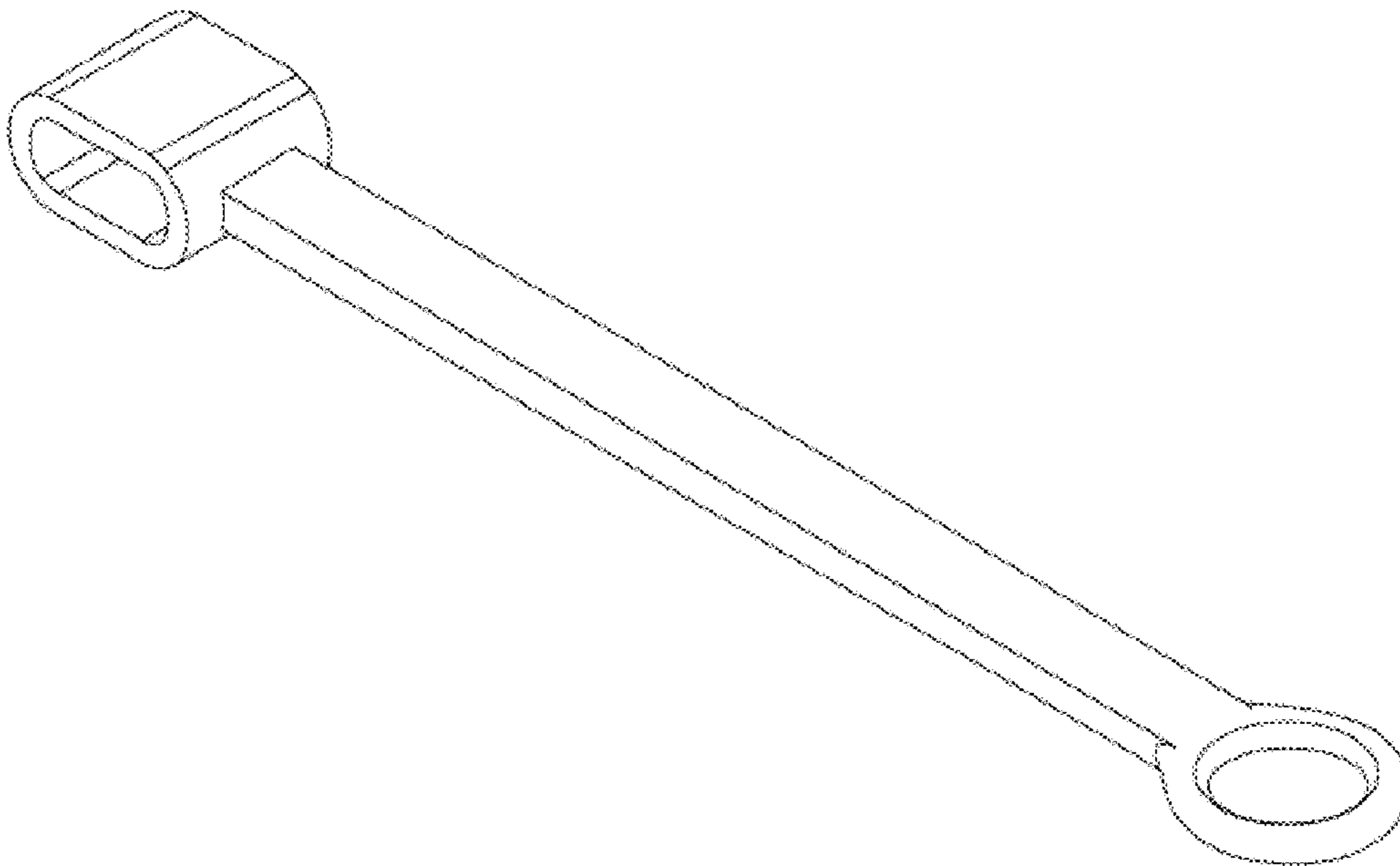
(57) **CLAIM**

The ornamental design for an adapter plug strap for device cables, as shown.

DESCRIPTION

FIG. 1 is a perspective view for an adapter plug strap for device cables showing my new design; FIG. 2 is a side view thereof; and, FIG. 3 is a top plan view thereof.

1 Claim, 2 Drawing Sheets



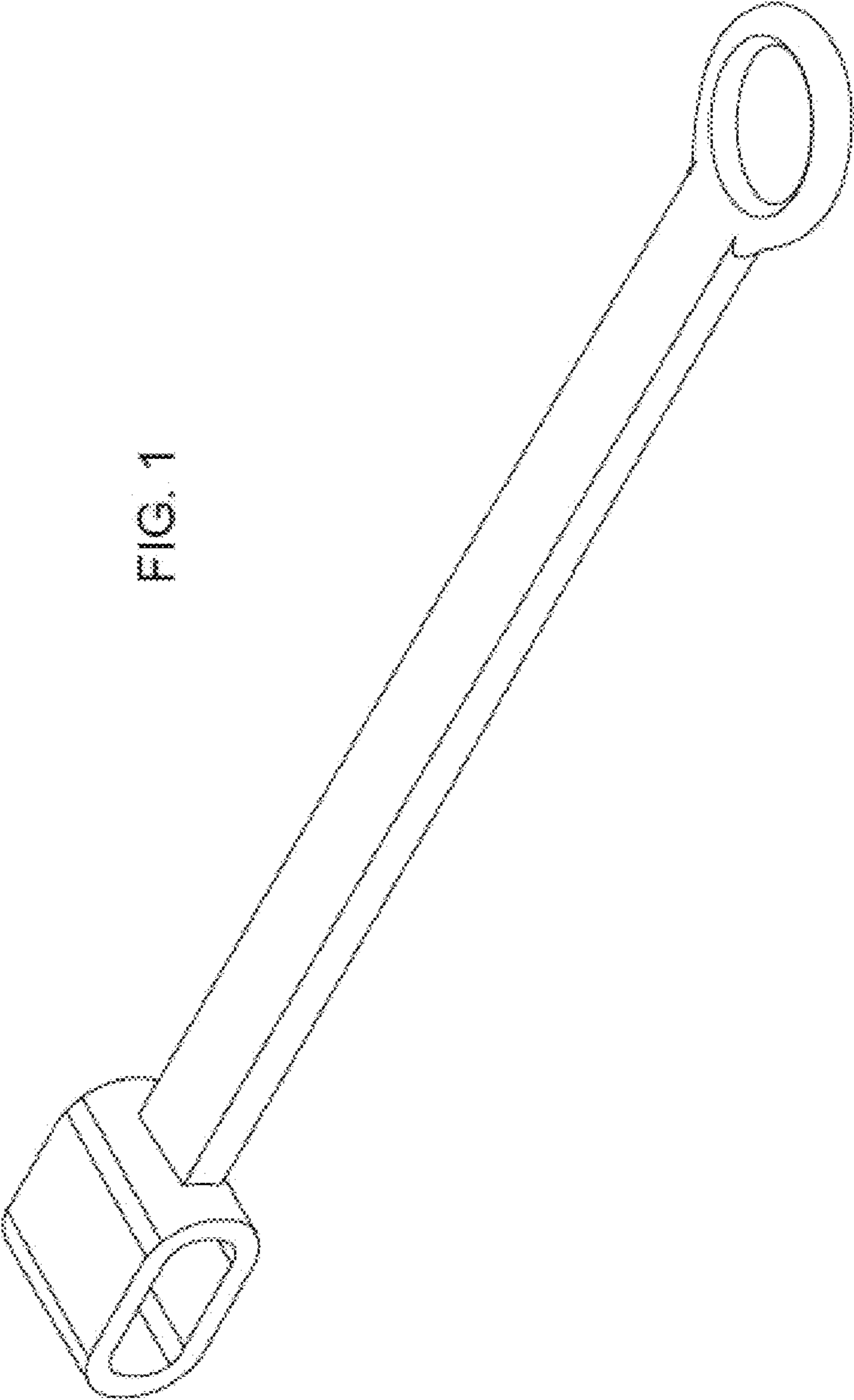


FIG. 1

FIG. 2

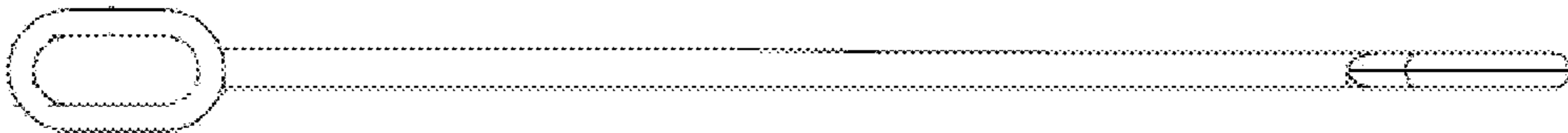


FIG. 3

