



US00D719524S

(12) **United States Design Patent**
DeCosta

(10) **Patent No.:** **US D719,524 S**

(45) **Date of Patent:** **** Dec. 16, 2014**

(54) **CABLE ENTRY DEVICE FOR ROUTING
CABLES THROUGH A WALL**

(71) Applicant: **Thomas DeCosta**, Westport, MA (US)

(72) Inventor: **Thomas DeCosta**, Westport, MA (US)

(**) Term: **14 Years**

(21) Appl. No.: **29/474,066**

(22) Filed: **May 19, 2014**

(51) **LOC (10) Cl.** **13-03**

(52) **U.S. Cl.**
USPC **D13/155**

(58) **Field of Classification Search**
USPC D13/139.1, 139.3, 146, 149, 151, 152,
D13/154, 156; D8/350, 352, 353, 356, 396;
174/66, 67, 650, 653, 655, 659, 662,
174/663, 665, 666, 668; 439/535, 536, 544
See application file for complete search history.

(56) **References Cited**

U.S. PATENT DOCUMENTS

4,989,353 A * 2/1991 Astolfi 40/761
D329,422 S * 9/1992 Fujiyoshi D13/139.1
7,495,171 B2 * 2/2009 Gorin et al. 174/66
7,759,576 B1 7/2010 Gretz

D627,305 S 11/2010 Gretz
D635,099 S * 3/2011 Kramer D13/152
D637,976 S * 5/2011 Nurmi et al. D13/155
8,124,873 B1 2/2012 Gretz
D661,661 S * 6/2012 Marrero D13/152
8,314,350 B1 11/2012 Gretz
8,324,516 B1 12/2012 Gretz
8,357,853 B1 1/2013 Gretz

* cited by examiner

Primary Examiner — Derrick Holland

Assistant Examiner — Lauren Calve

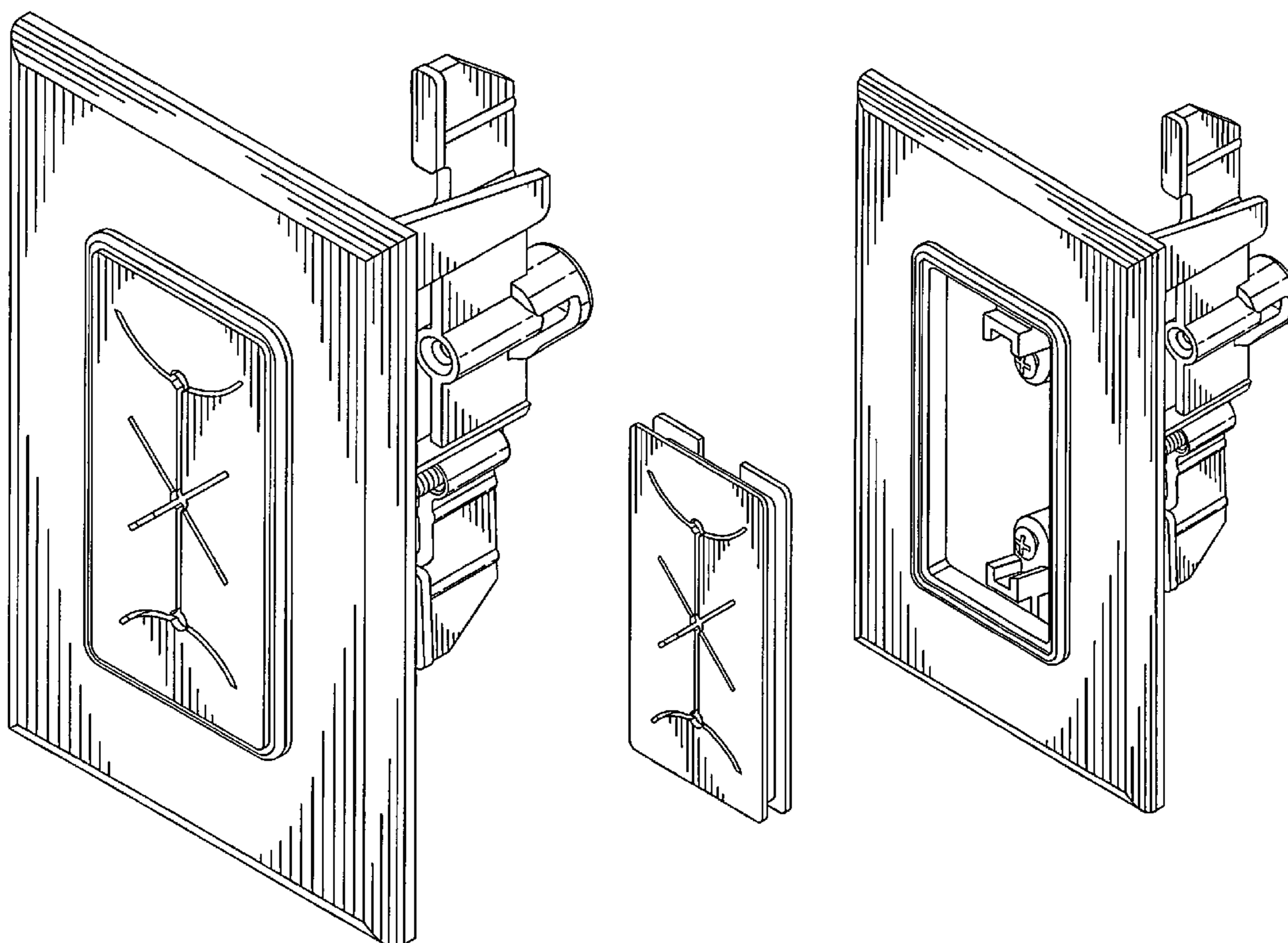
(57) **CLAIM**

The ornamental design for a cable entry device for routing cables through a wall, as shown and described.

DESCRIPTION

FIG. 1 is a front perspective view of a cable entry device for routing cables through a wall employing my new design; FIG. 2 is a rear perspective view of FIG. 1; FIG. 3 is a front end view of FIG. 1; FIG. 4 is a rear end view of FIG. 1; FIG. 5 is a right side view of FIG. 1; FIG. 6 is a left side view of FIG. 1; FIG. 7 is a top view of FIG. 1; FIG. 8 is a bottom view of FIG. 1; and, FIG. 9 is a front perspective exploded view of FIG. 1.

1 Claim, 9 Drawing Sheets



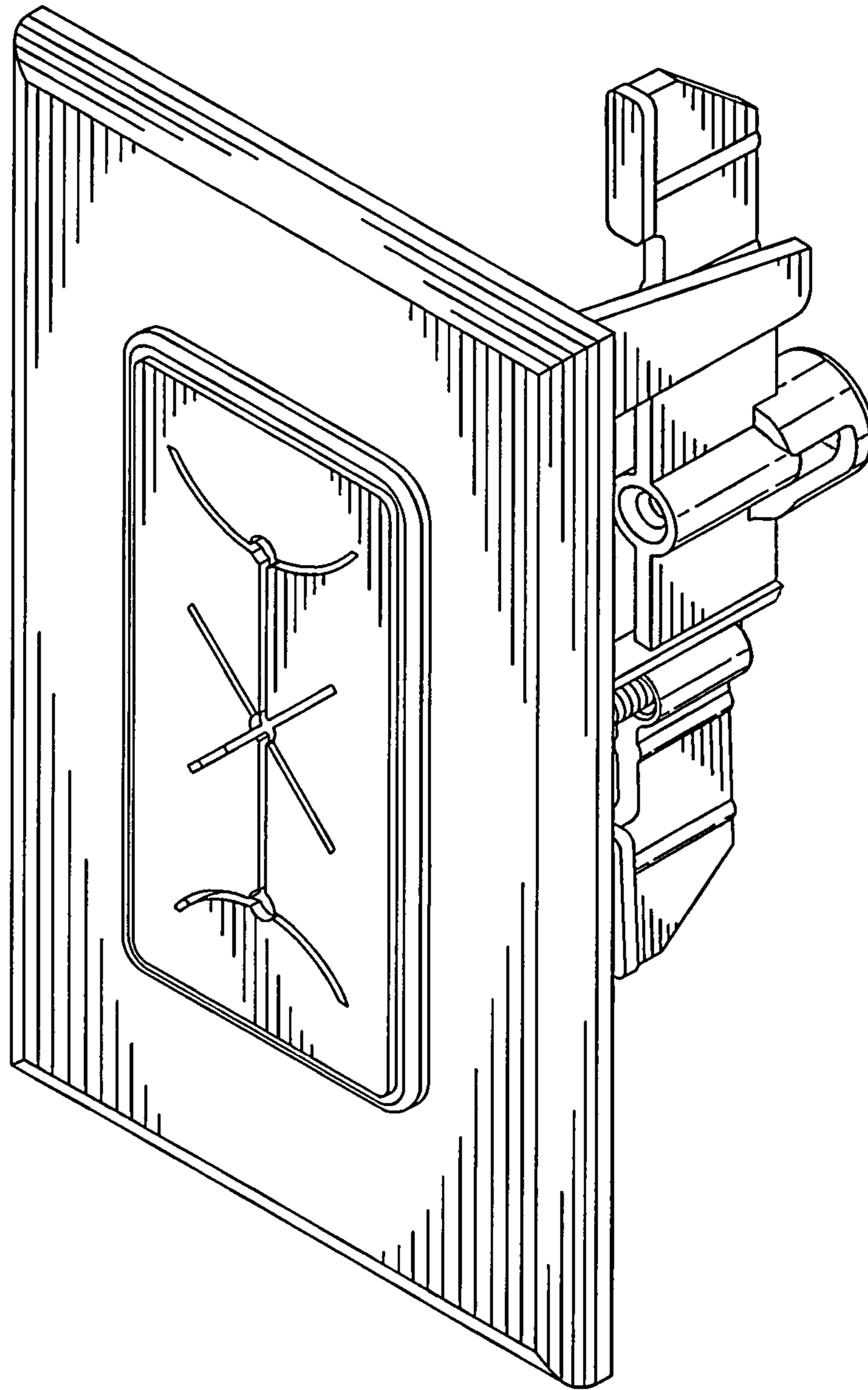


FIG. 1

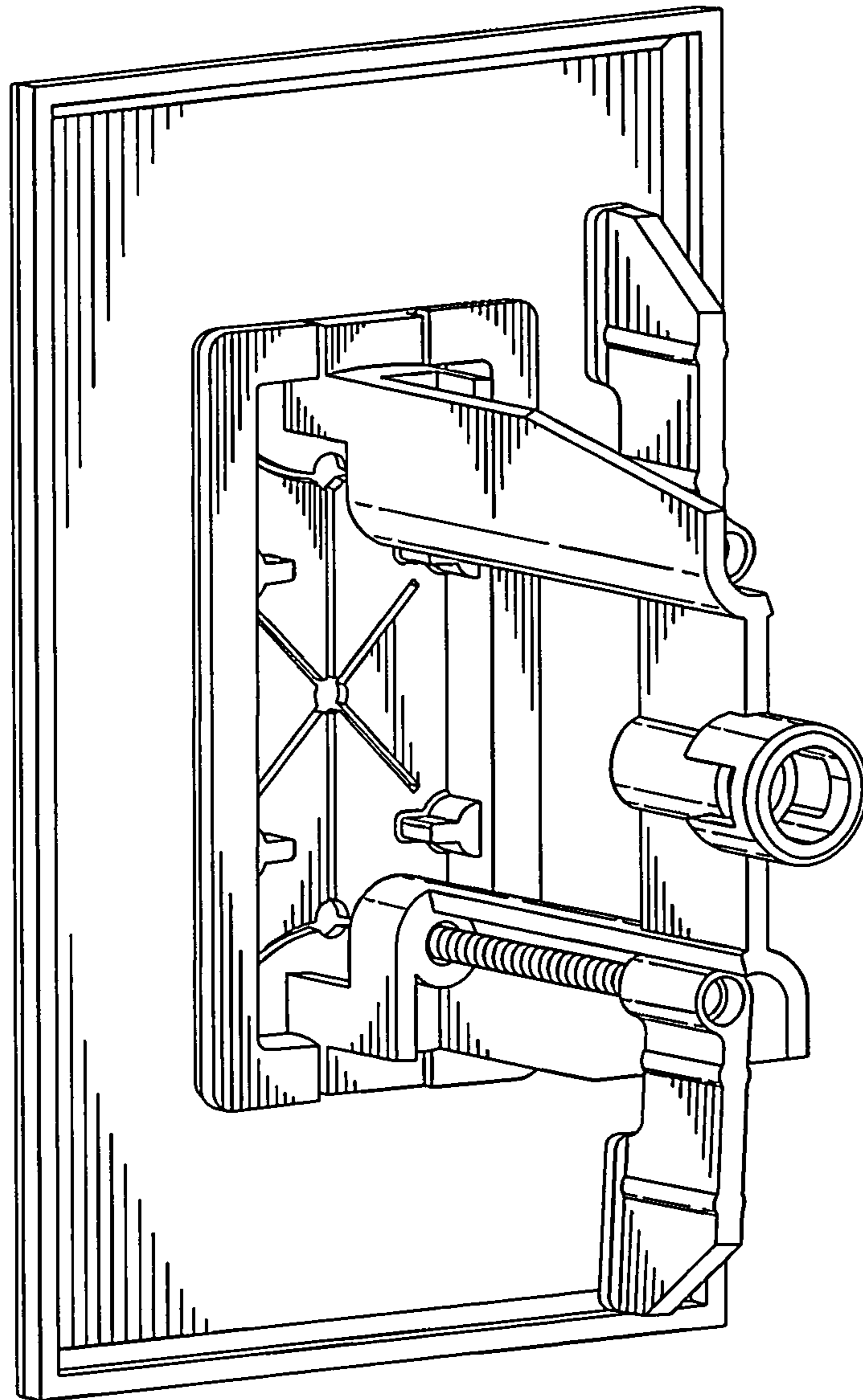


FIG. 2

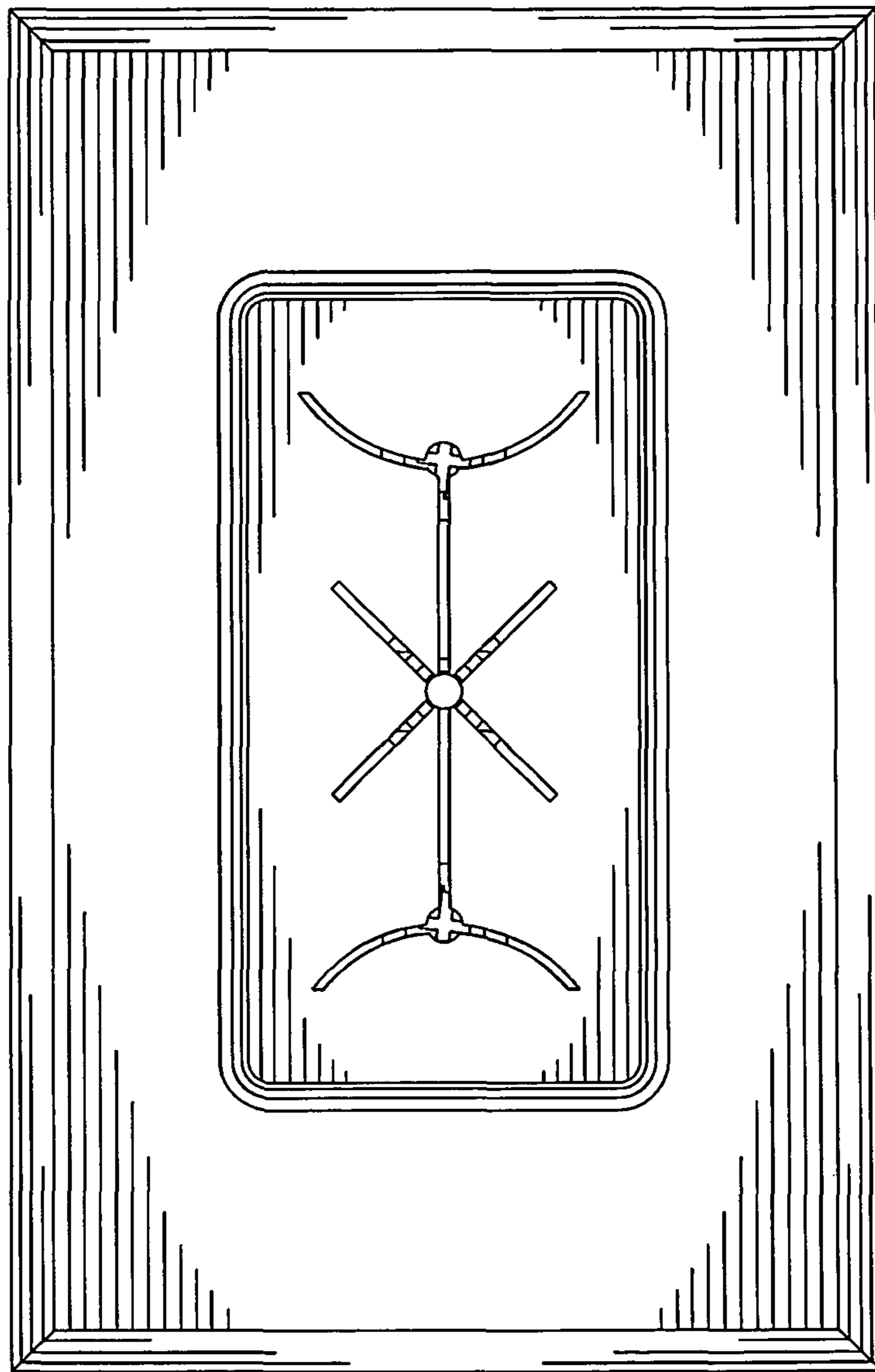


FIG. 3

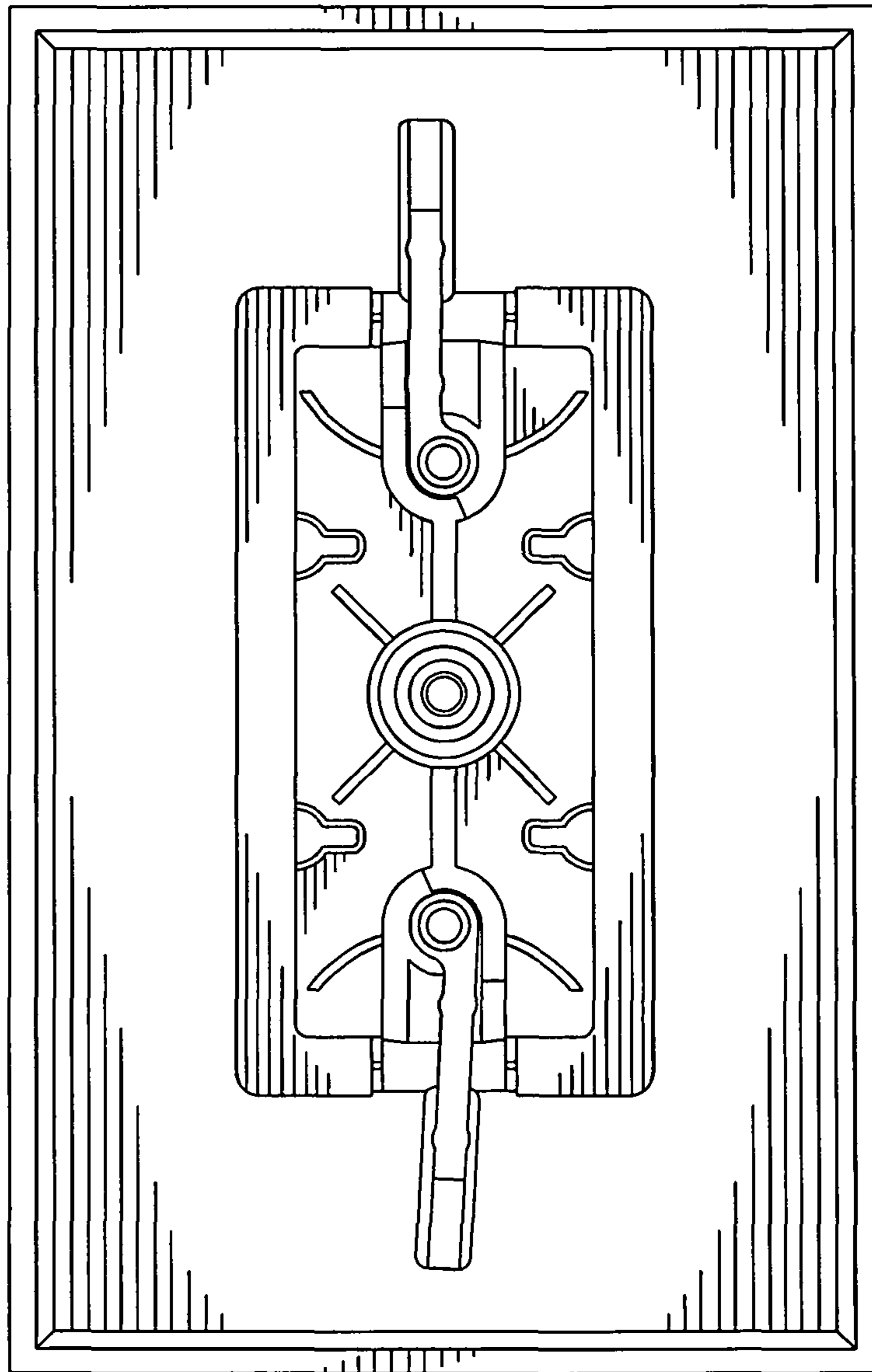


FIG. 4

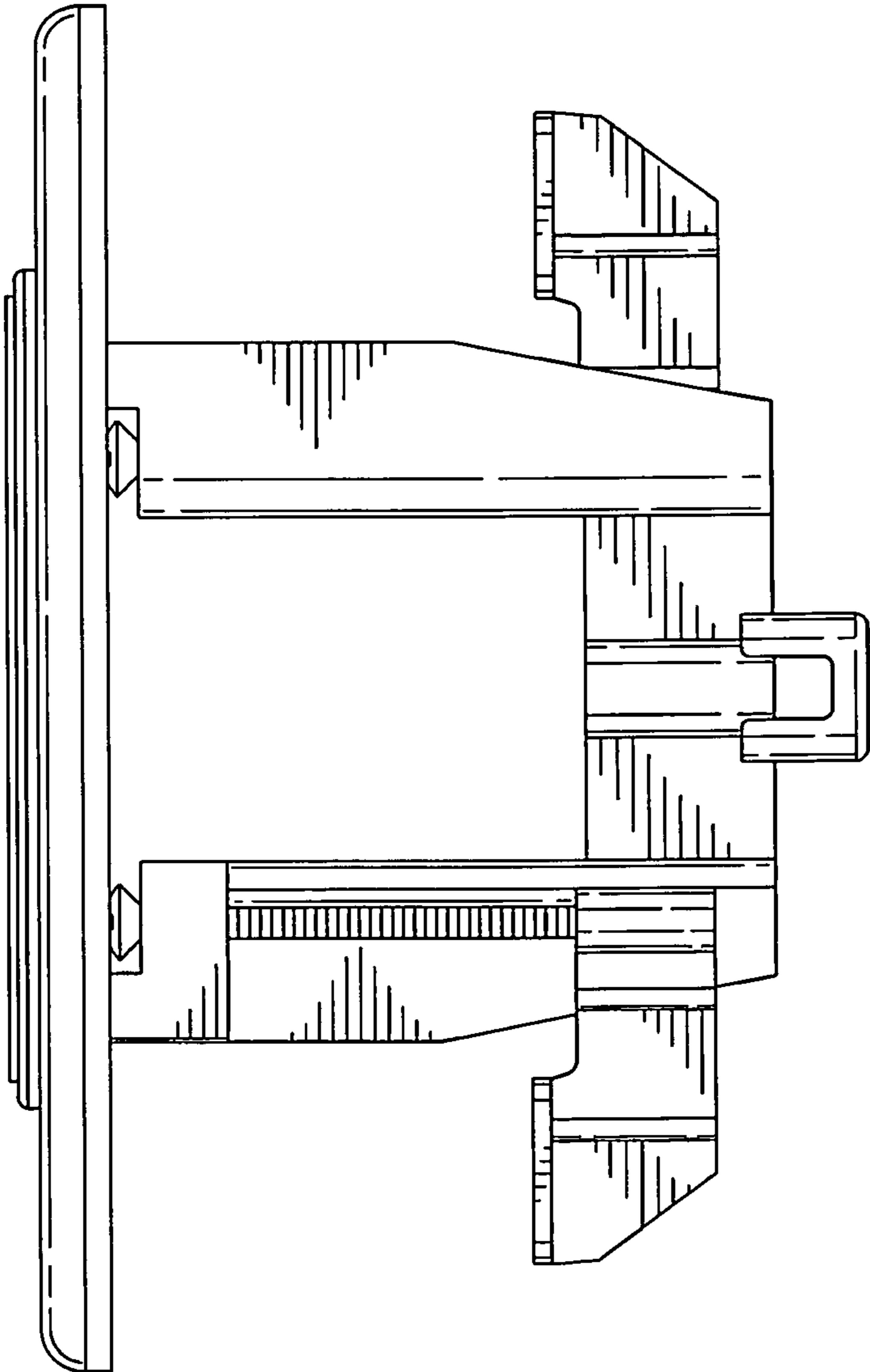


FIG. 5

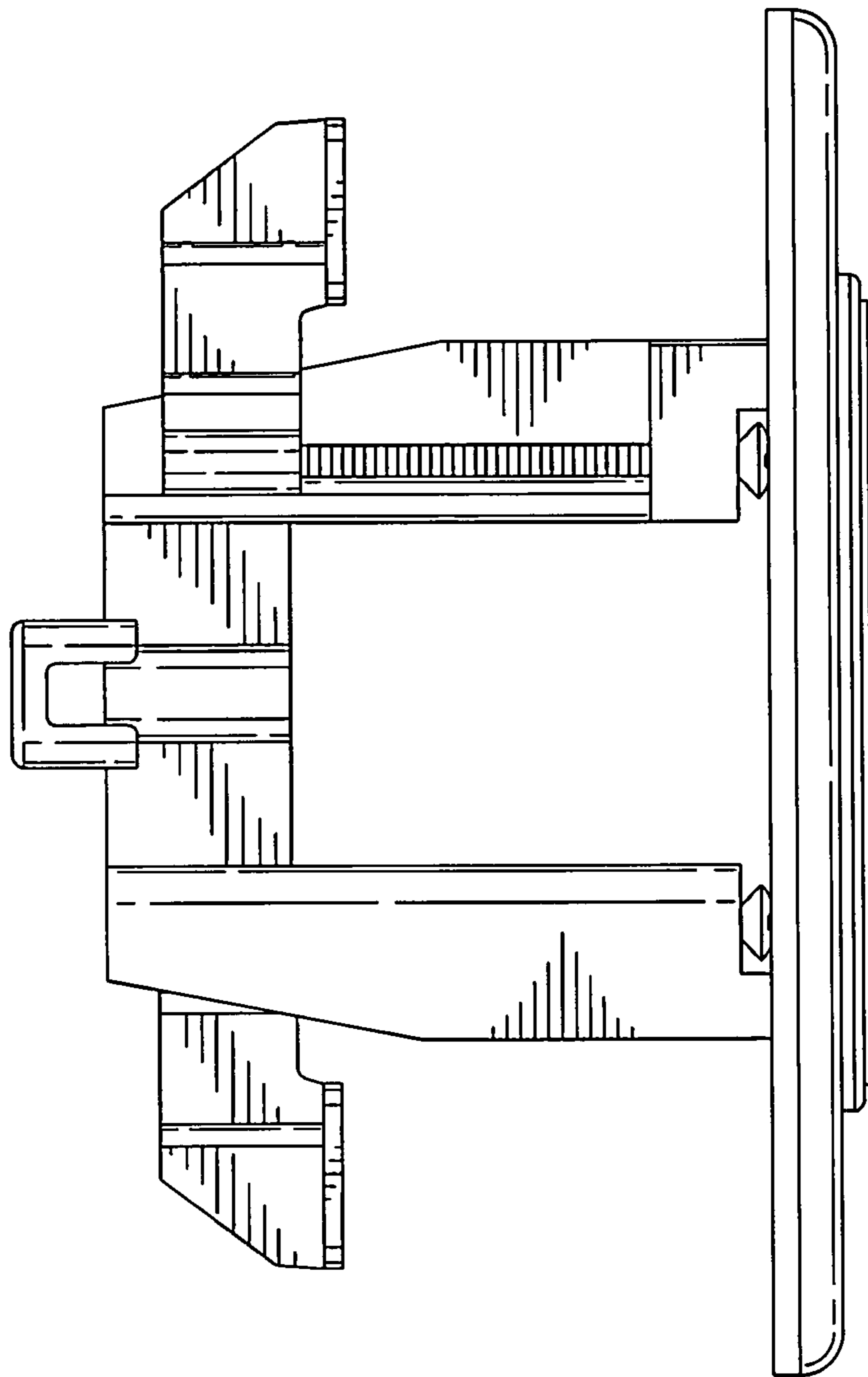


FIG. 6

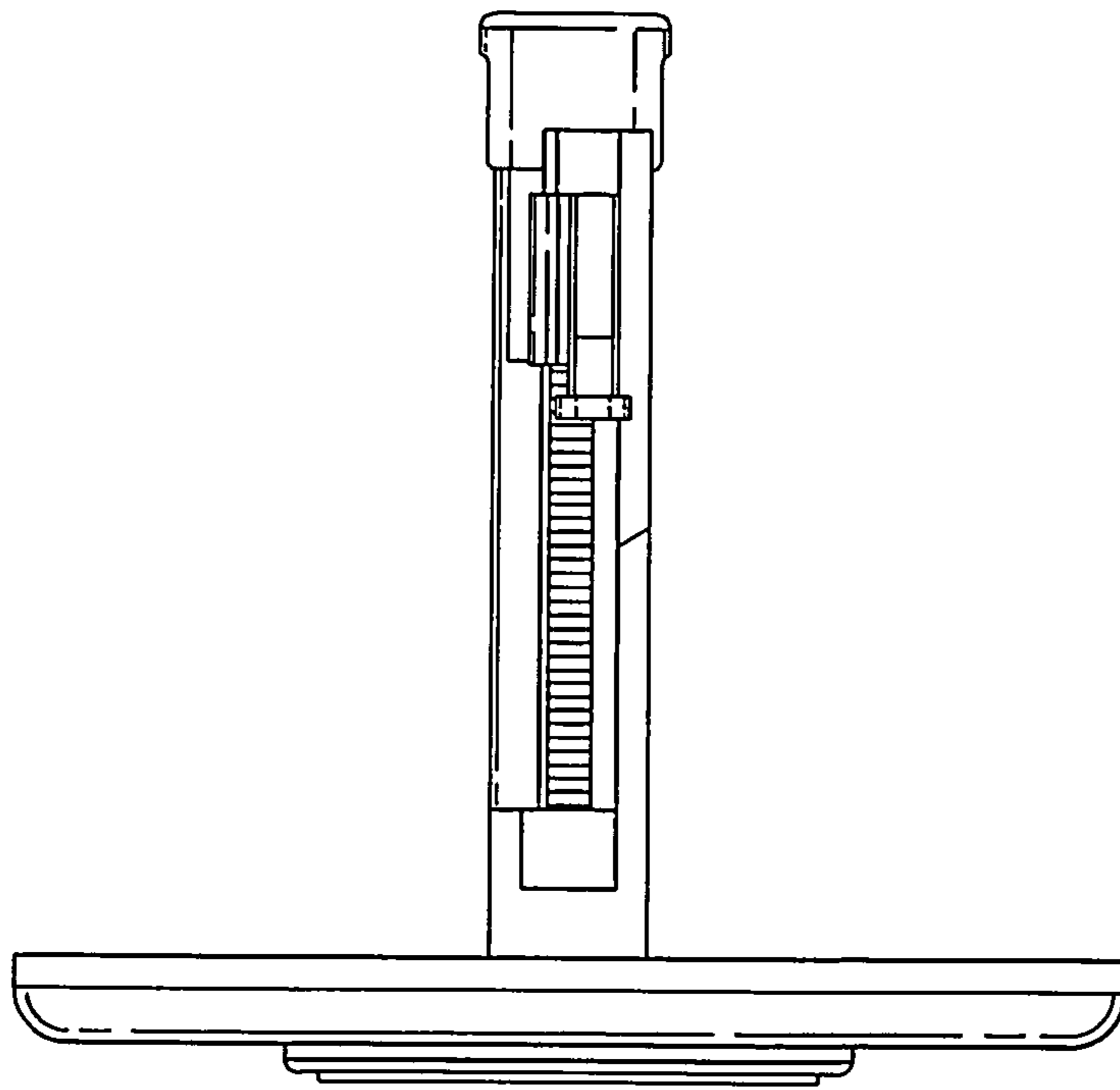


FIG. 7

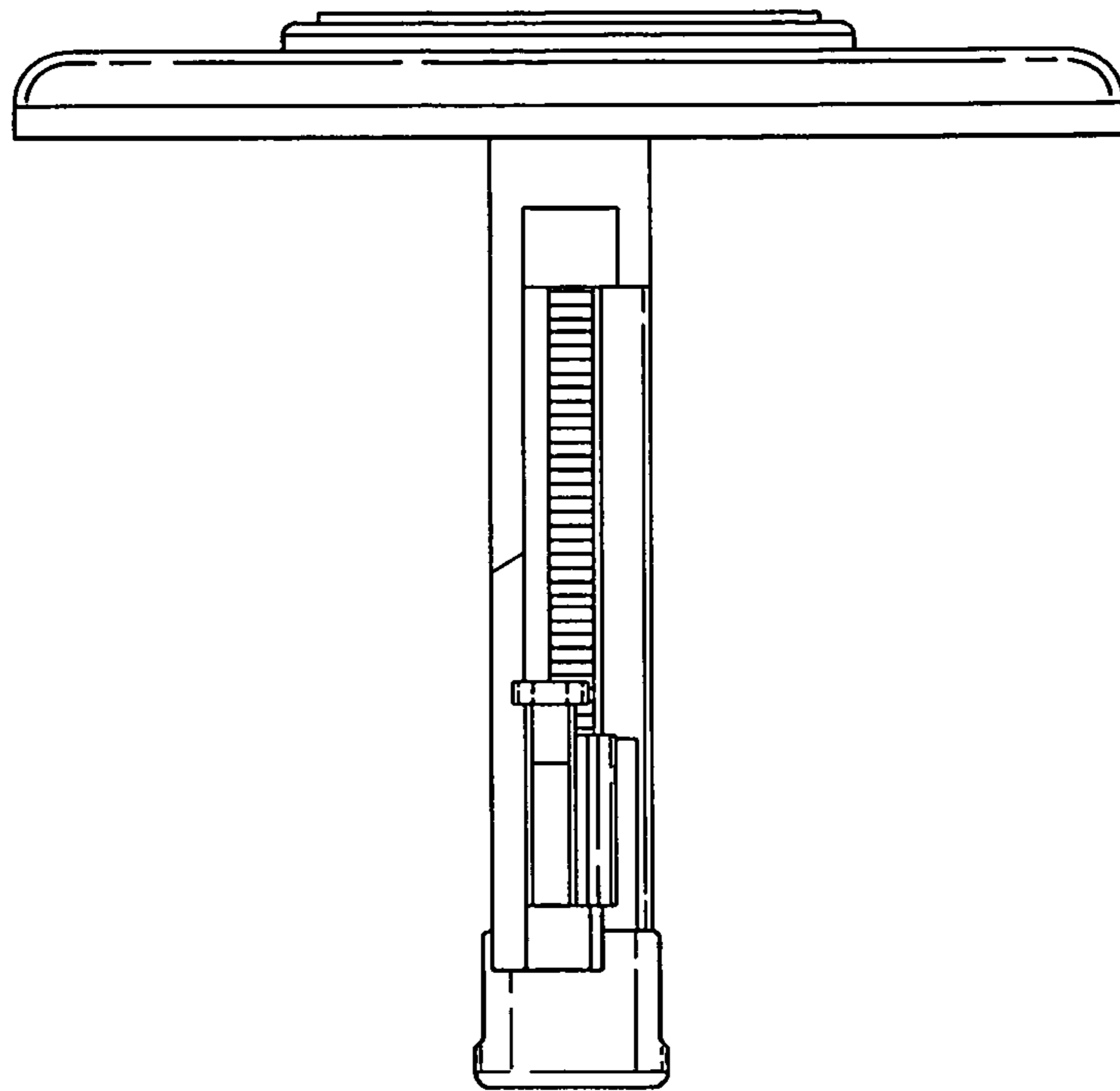


FIG. 8

