



US00D719520S

(12) **United States Design Patent**
DeCosta

(10) **Patent No.:** **US D719,520 S**

(45) **Date of Patent:** **** Dec. 16, 2014**

(54) **CABLE ENTRY DEVICE FOR ROUTING
CABLES THROUGH A WALL**

(71) Applicant: **Thomas DeCosta**, Westport, MA (US)

(72) Inventor: **Thomas DeCosta**, Westport, MA (US)

(**) Term: **14 Years**

(21) Appl. No.: **29/474,016**

(22) Filed: **May 2, 2014**

(51) **LOC (10) Cl.** **13-03**

(52) **U.S. Cl.**
USPC **D13/155**

(58) **Field of Classification Search**
USPC D13/155, 133, 147, 153, 154, 156, 184,
D13/199; D8/349, 354, 356; 174/48, 68.3,
174/72 A, 95, 99 R, 101, 650, 655, 665, 668;
248/49, 56, 57, 59; 439/98, 100, 104,
439/105, 107

See application file for complete search history.

(56) **References Cited**

U.S. PATENT DOCUMENTS

4,880,387	A *	11/1989	Stikeleather et al.	439/98
D329,043	S *	9/1992	Rogers et al.	D13/155
6,849,803	B1 *	2/2005	Gretz	174/665
D539,229	S *	3/2007	Murphey	D13/155
D544,448	S *	6/2007	Hull et al.	D13/151
7,387,288	B2 *	6/2008	Hull et al.	249/91

7,759,576	B1	7/2010	Gretz	
7,820,922	B2 *	10/2010	Auray et al. 174/650
D627,305	S	11/2010	Gretz	
D635,934	S *	4/2011	Shen et al. D13/155
8,124,873	B1	2/2012	Gretz	
8,314,350	B1	11/2012	Gretz	
8,324,516	B1	12/2012	Gretz	

* cited by examiner

Primary Examiner — Derrick Holland

(57) **CLAIM**

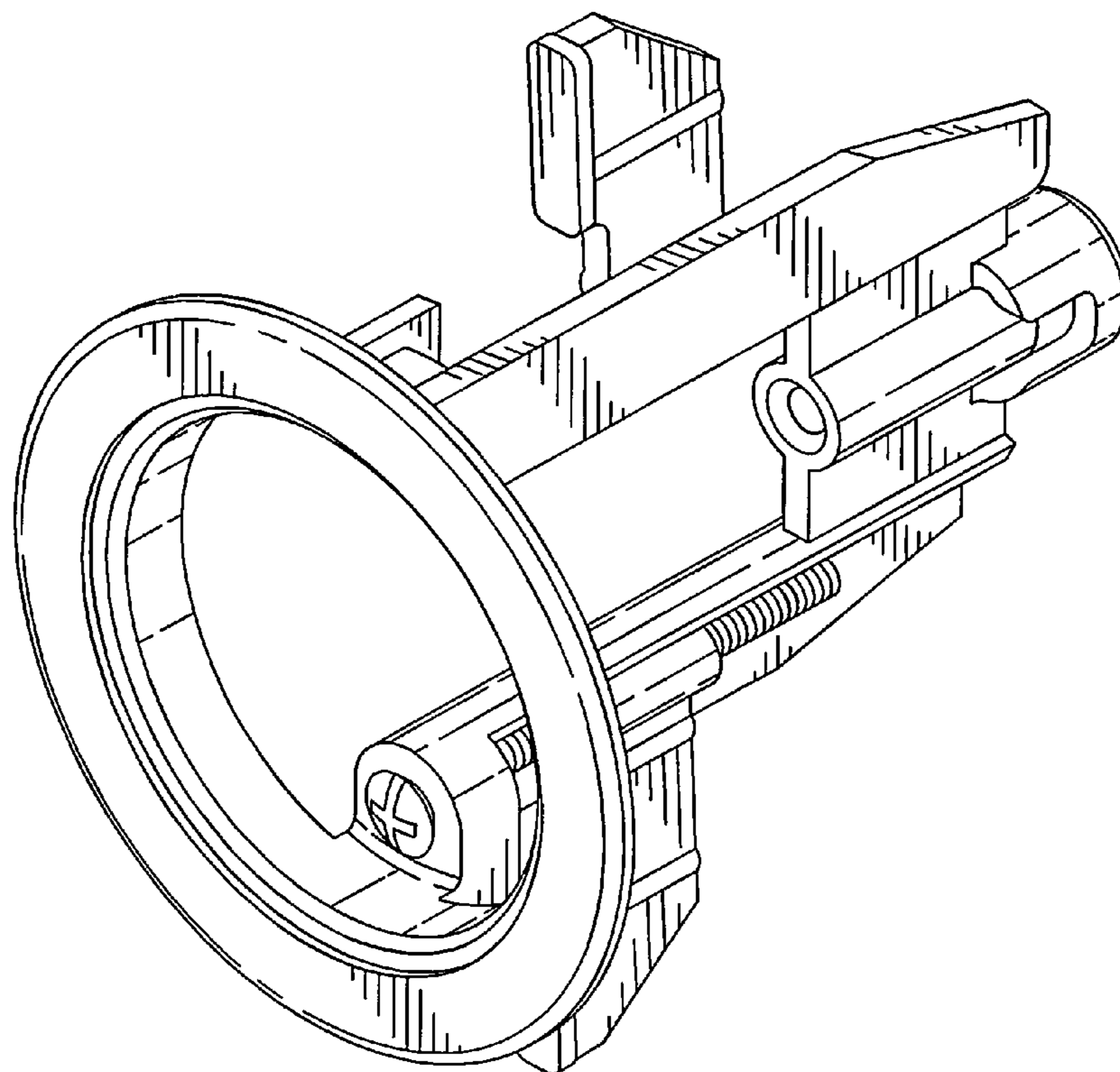
The ornamental design for a cable entry device for routing cables through a wall, as shown and described.

DESCRIPTION

FIG. 1 is a front perspective view of a cable entry device for routing cables through a wall;
FIG. 2 is a rear perspective view of FIG. 1;
FIG. 3 is a front end view of FIG. 1;
FIG. 4 is a rear end view of FIG. 1;
FIG. 5 is a right side view of FIG. 1;
FIG. 6 is a left side view of FIG. 1;
FIG. 7 is a top view of FIG. 1;
FIG. 8 is a bottom view of FIG. 1; and,
FIG. 9 is a perspective view of an alternate embodiment of FIG. 1.

The broken lines shown represent unclaimed subject matter and form no part of the claimed design.

1 Claim, 9 Drawing Sheets



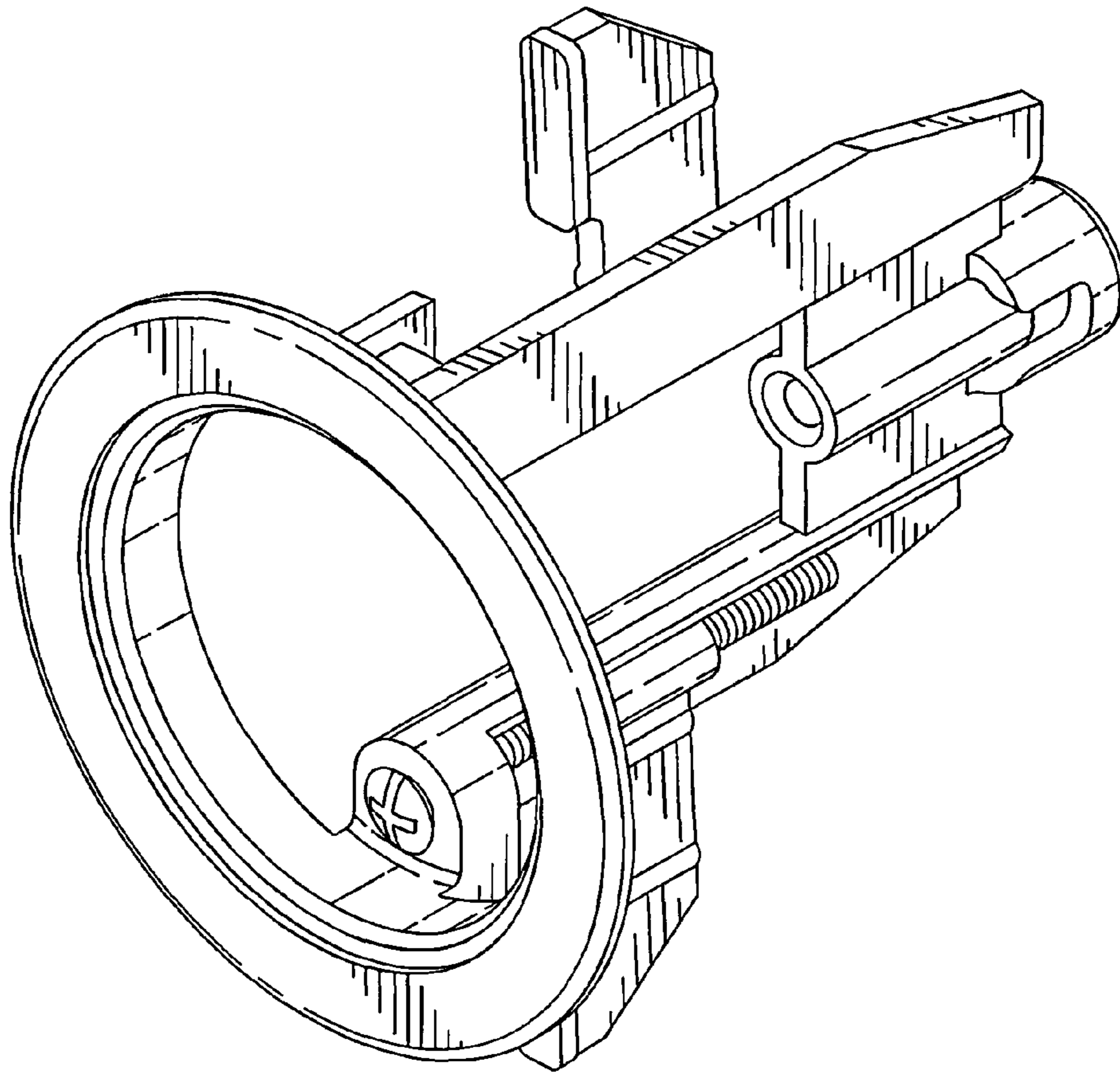


FIG. 1

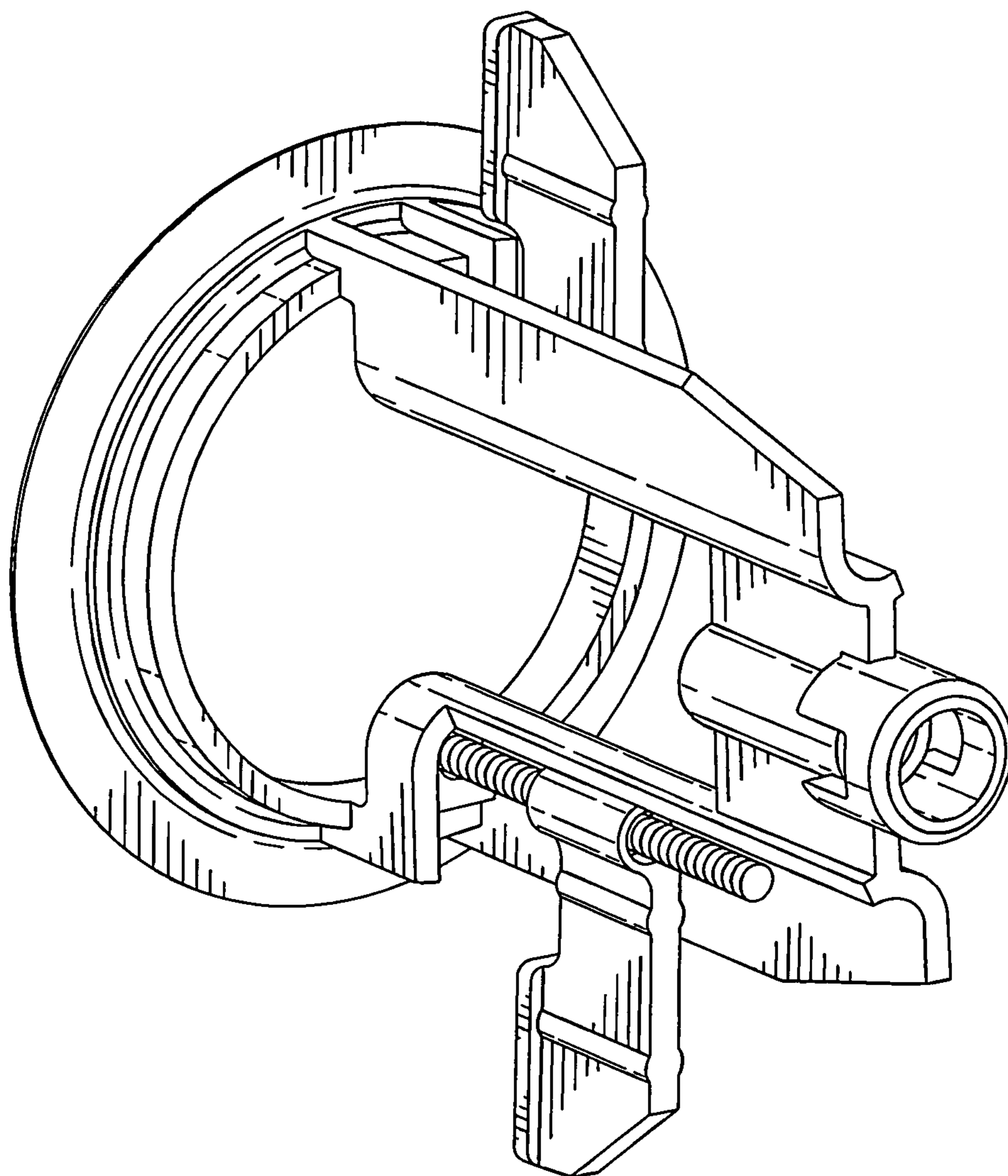


FIG. 2

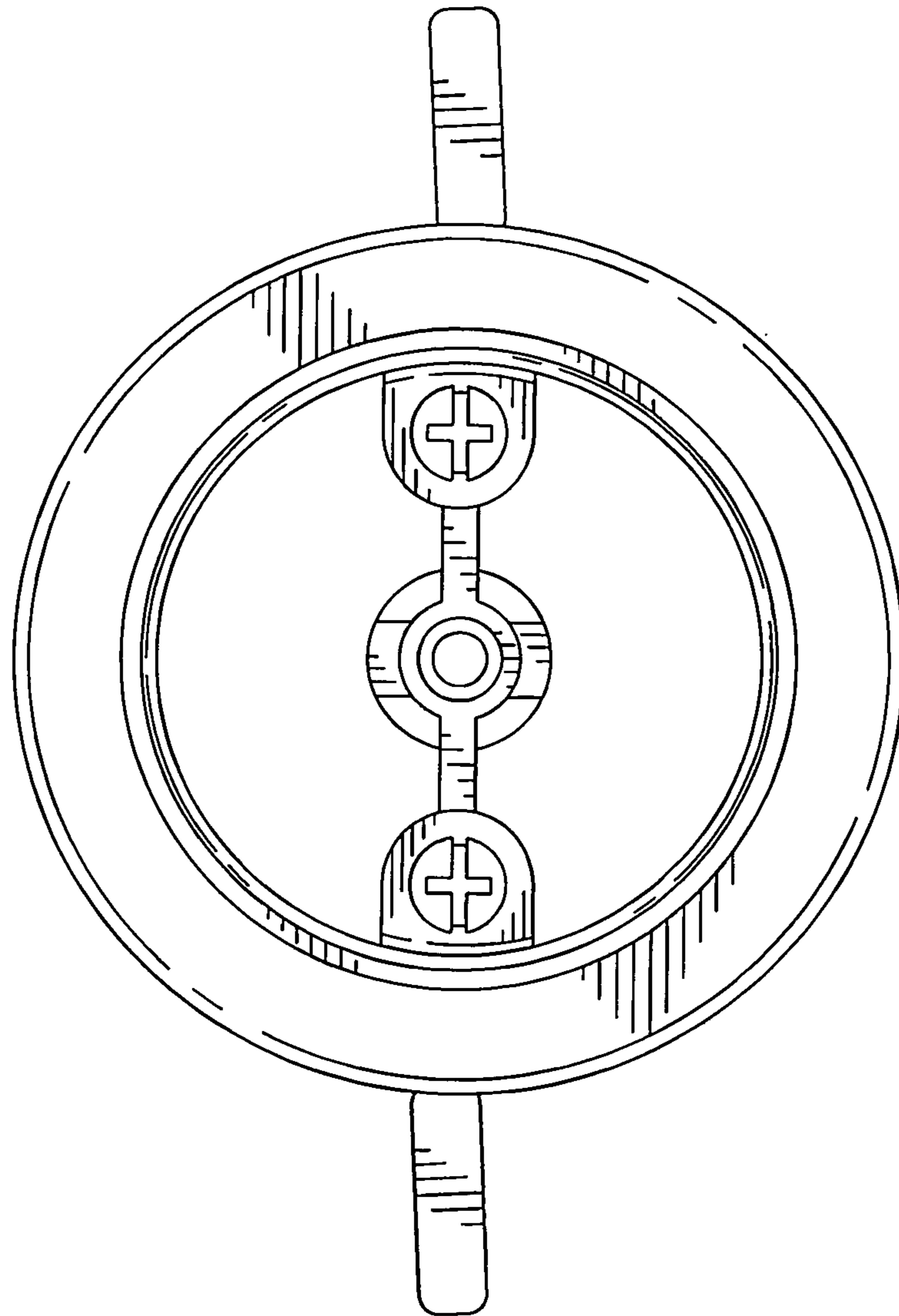


FIG. 3

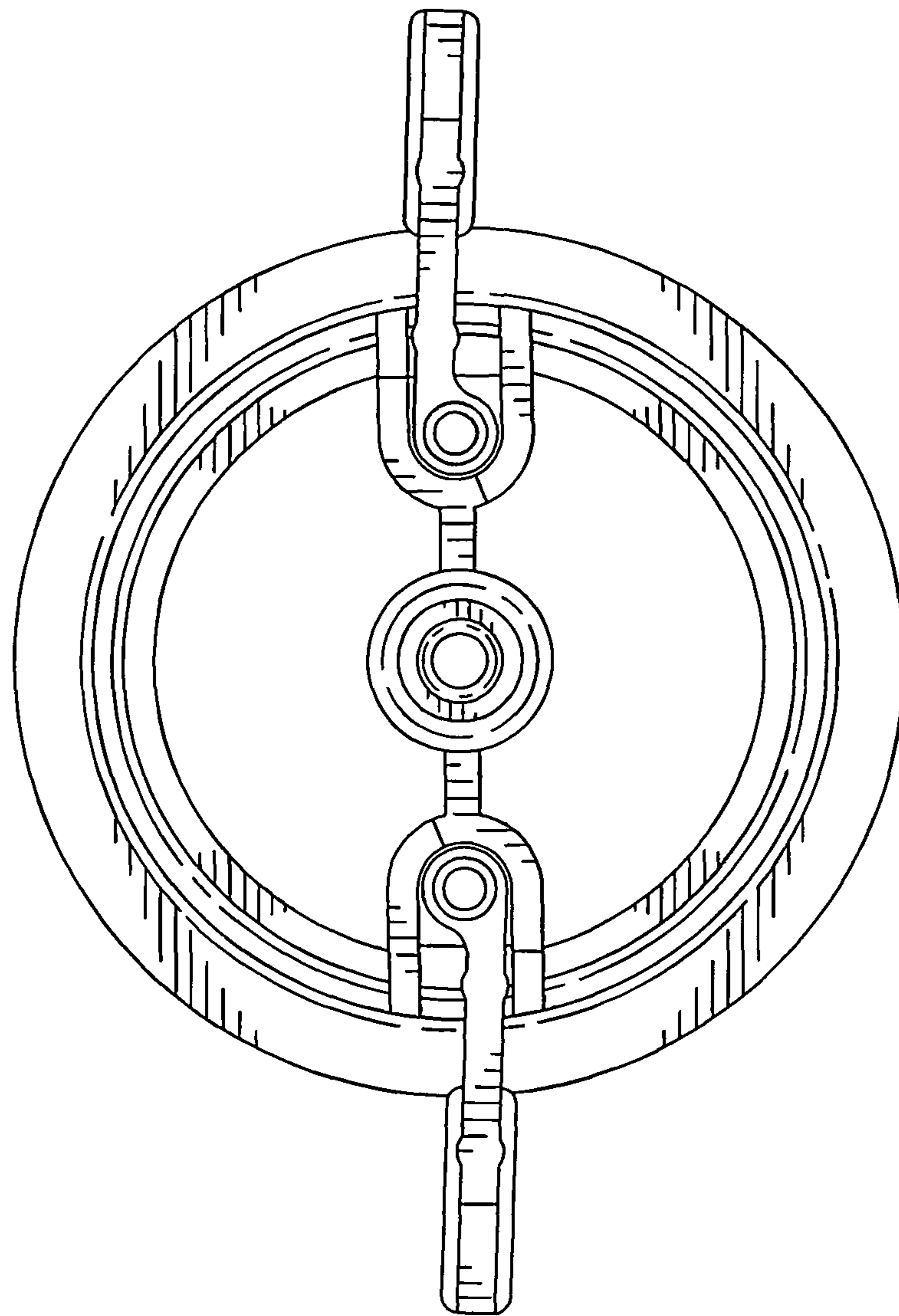


FIG. 4

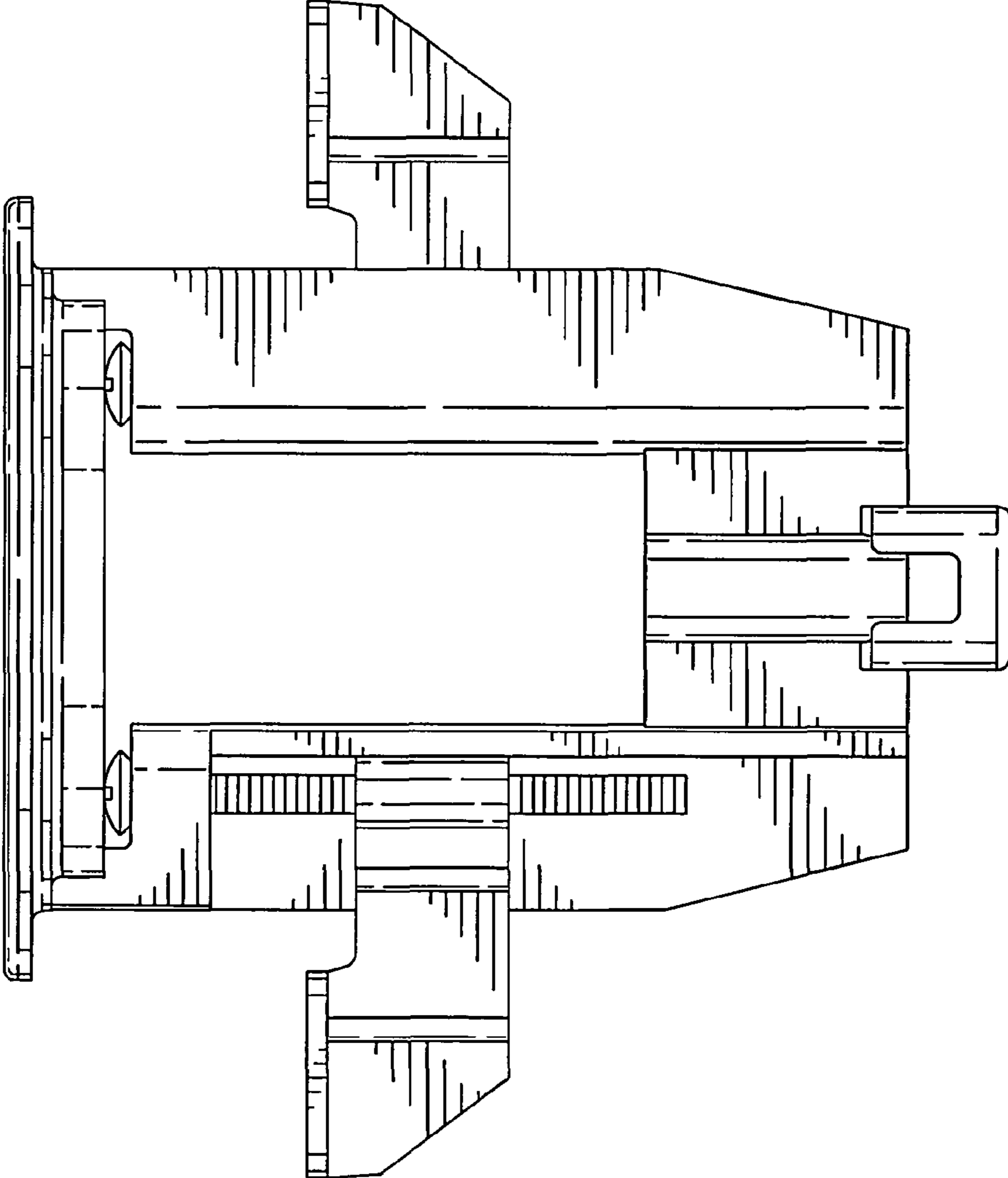


FIG. 5

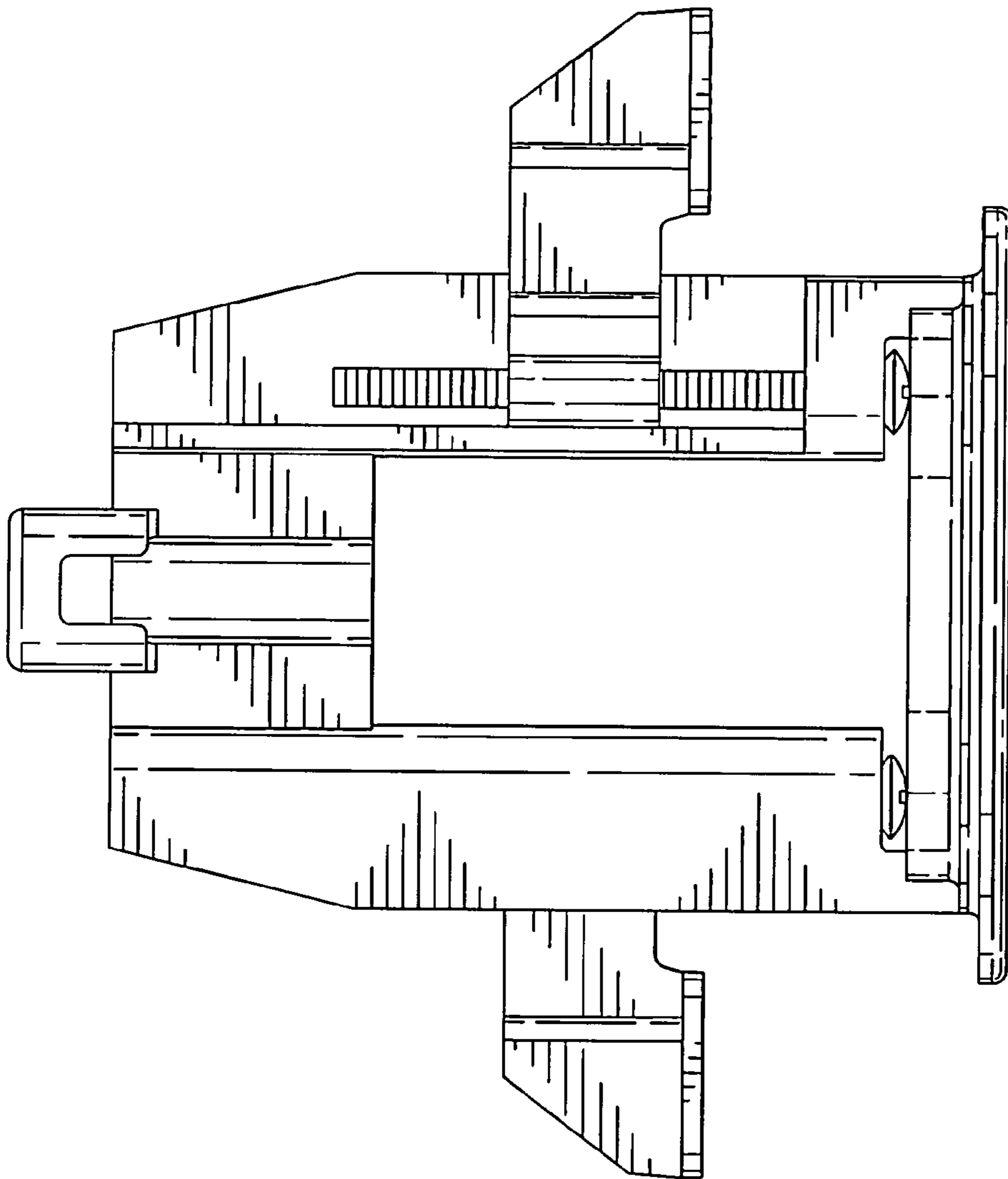


FIG. 6

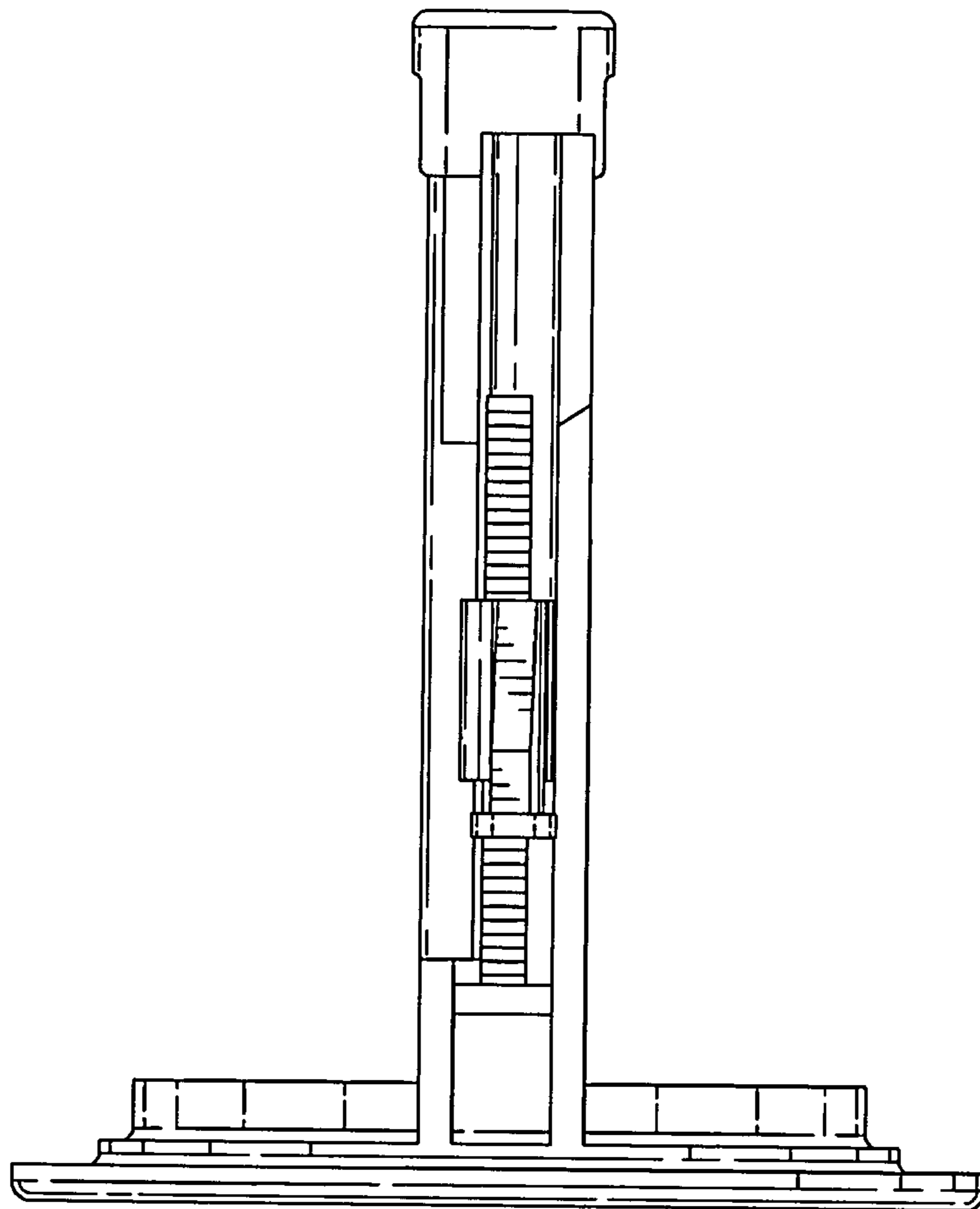


FIG. 7

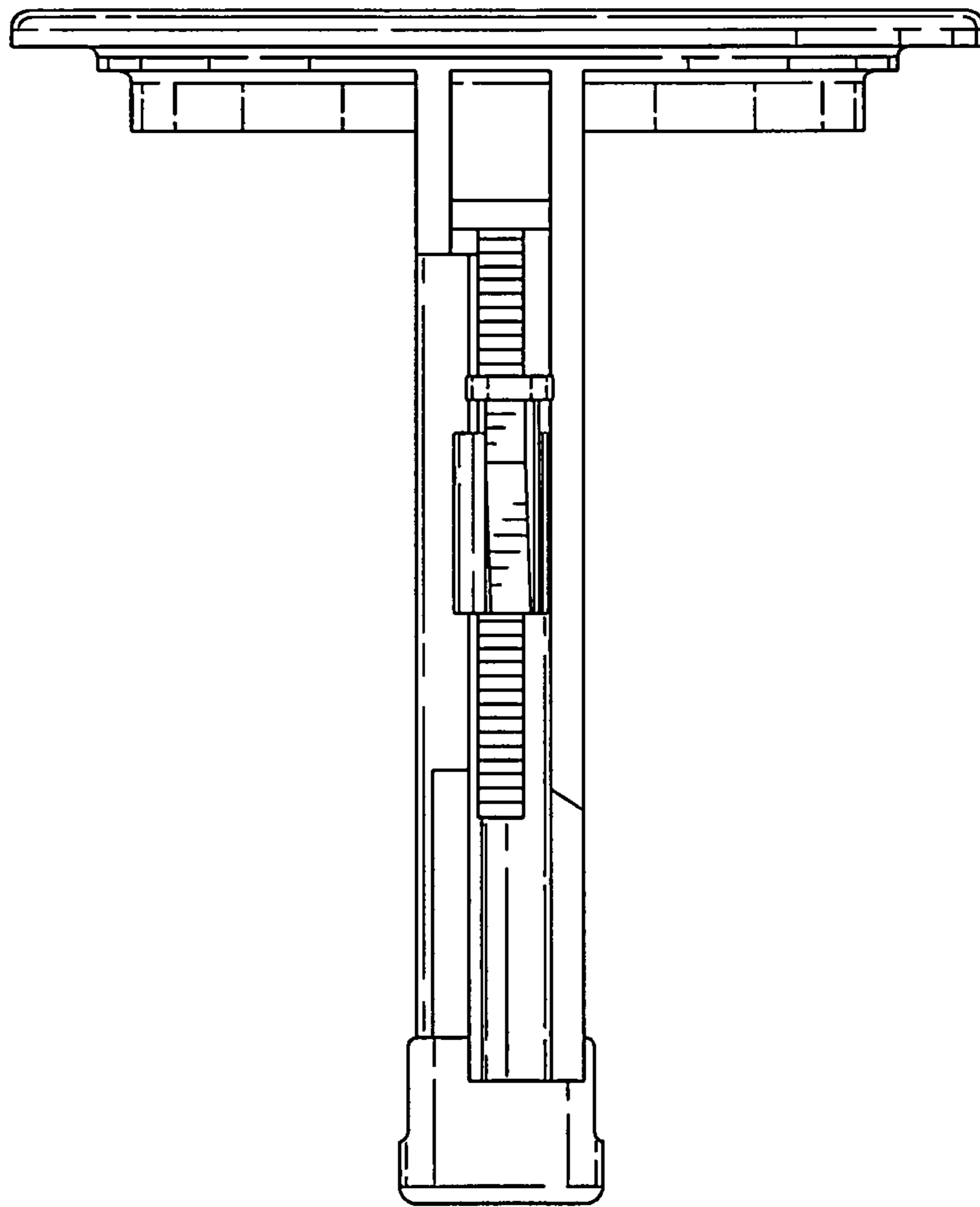


FIG. 8

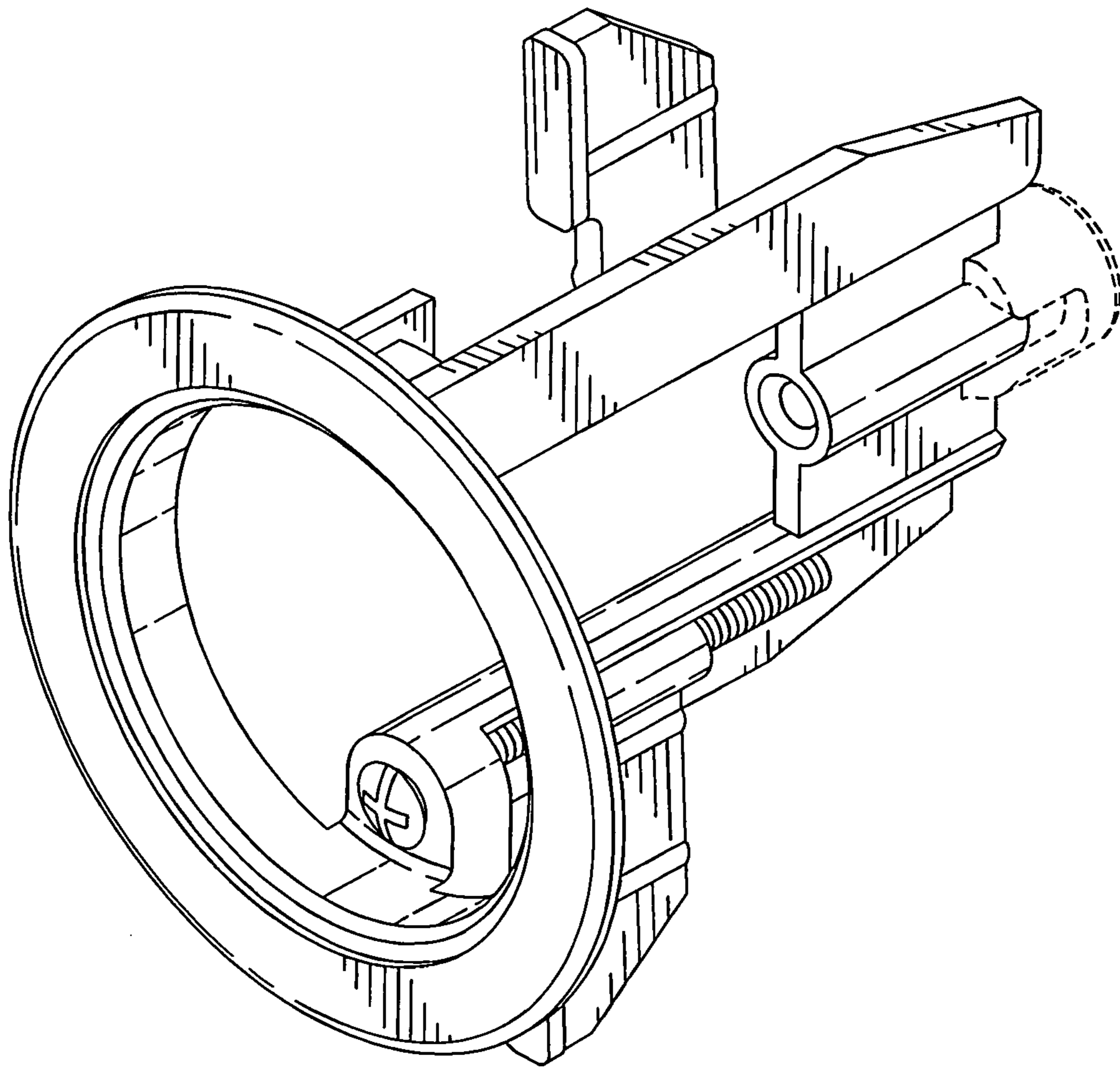


FIG. 9