



US00D719518S

(12) **United States Design Patent**  
**Yeh**

(10) **Patent No.:** **US D719,518 S**

(45) **Date of Patent:** **\*\* Dec. 16, 2014**

(54) **INSTALLATION COMPONENT**

(71) Applicant: **Hon Hai Precision Industry Co., Ltd.**,  
New Taipei (TW)

(72) Inventor: **Cheng-Chi Yeh**, New Taipei (TW)

(73) Assignee: **Hon Hai Precision Industry Co., Ltd.**,  
New Taipei (TW)

(\*\*) Term: **14 Years**

(21) Appl. No.: **29/477,212**

(22) Filed: **Dec. 19, 2013**

(51) **LOC (10) Cl.** ..... **13-03**

(52) **U.S. Cl.**  
USPC ..... **D13/154**

(58) **Field of Classification Search**  
USPC ..... D13/147, 154, 184, 194; D14/432, 433,  
D14/435, 436, 438; 439/64, 79, 159, 160,  
439/330, 331, 341, 342, 476.1, 607.01,  
439/607.04, 607.05, 607.17, 607.25,  
439/607.34, 607.41, 607.53, 629, 630, 636,  
439/660, 668, 680, 773, 862, 892, 894,  
439/946; 361/684, 685

See application file for complete search history.

(56) **References Cited**

**U.S. PATENT DOCUMENTS**

6,780,041 B1 \* 8/2004 Ma ..... 439/342  
6,875,038 B1 \* 4/2005 McHugh et al. .... 439/331  
D505,921 S \* 6/2005 Ma ..... D13/149  
6,905,357 B2 \* 6/2005 Ma ..... 439/331

6,910,908 B2 \* 6/2005 Tran et al. .... 439/342  
6,927,981 B1 \* 8/2005 Kao ..... 361/740  
D596,124 S \* 7/2009 Ma et al. .... D13/133  
D631,847 S \* 2/2011 Ma et al. .... D13/154  
2008/0113545 A1 \* 5/2008 Zhang et al. .... 439/345  
2009/0104794 A1 \* 4/2009 Ma ..... 439/66

\* cited by examiner

*Primary Examiner* — Daniel Bui

(74) *Attorney, Agent, or Firm* — Wei Te Chung; Ming Chieh Chang

(57) **CLAIM**

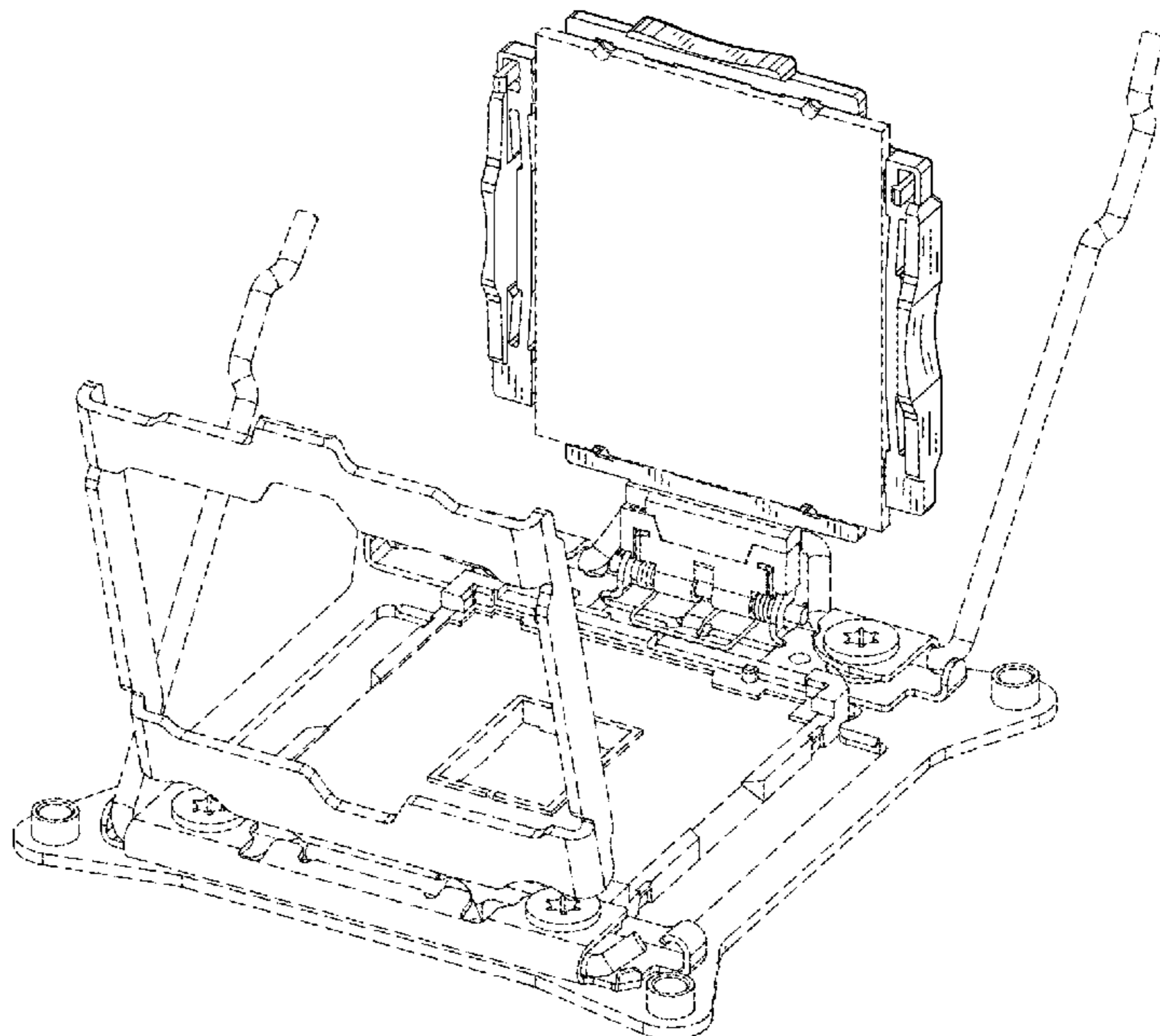
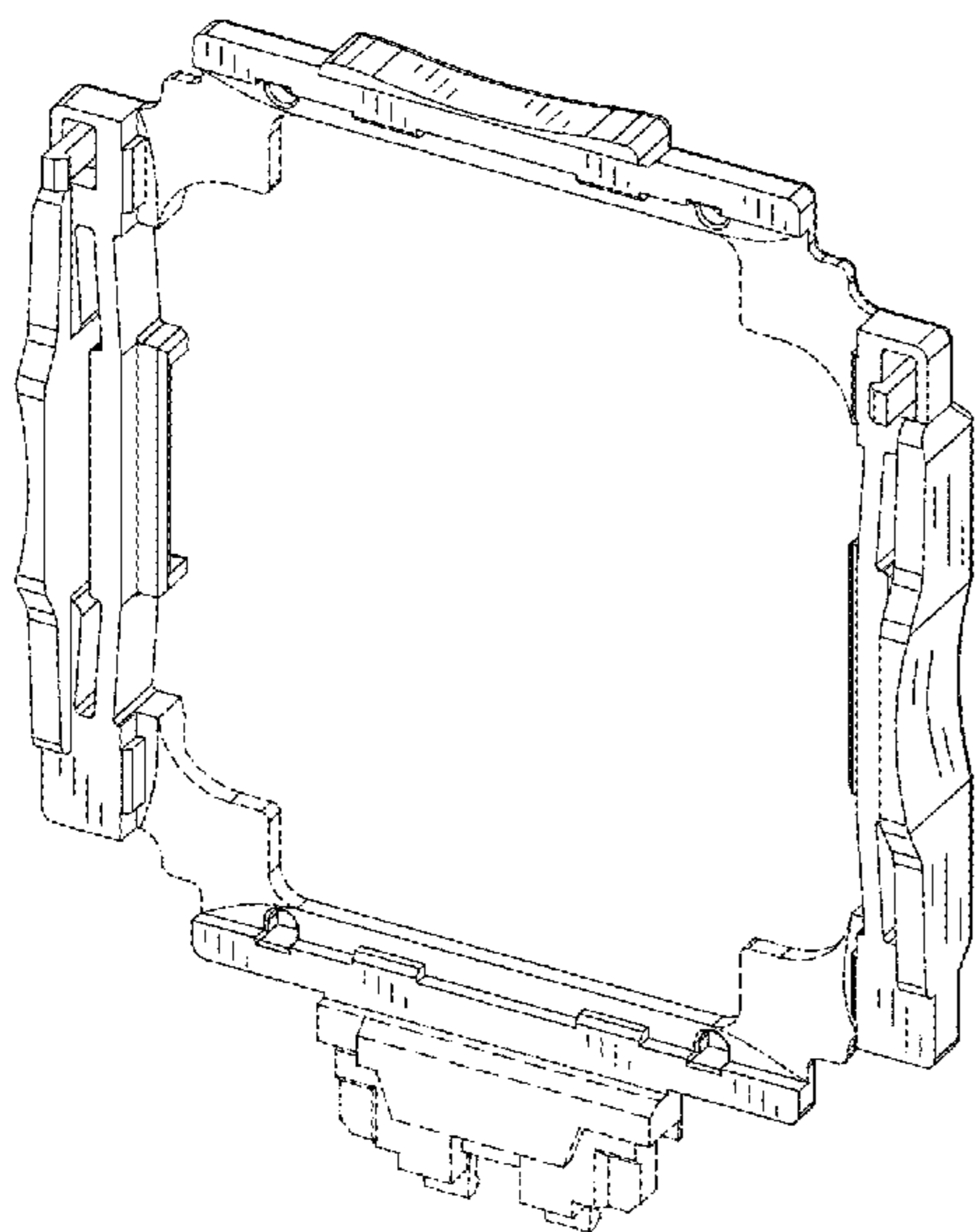
The ornamental design for an installation component, as shown and described.

**DESCRIPTION**

FIG. 1 is a front, top and left side perspective view of an installation component showing my new design; FIG. 2 is a front elevational view thereof; FIG. 3 is a rear elevational view thereof; FIG. 4 is a left side elevational view thereof; FIG. 5 is a right side elevational view thereof; FIG. 6 is a top plan view thereof; FIG. 7 is a bottom plan view thereof; and, FIG. 8 is a perspective view thereof, in use and open condition.

The broken line in the figure drawing views is included for the purpose of illustrating environment and forms no part of the claimed design. The dash-dot line in the figure drawing views represents the boundary of the claimed design.

**1 Claim, 8 Drawing Sheets**



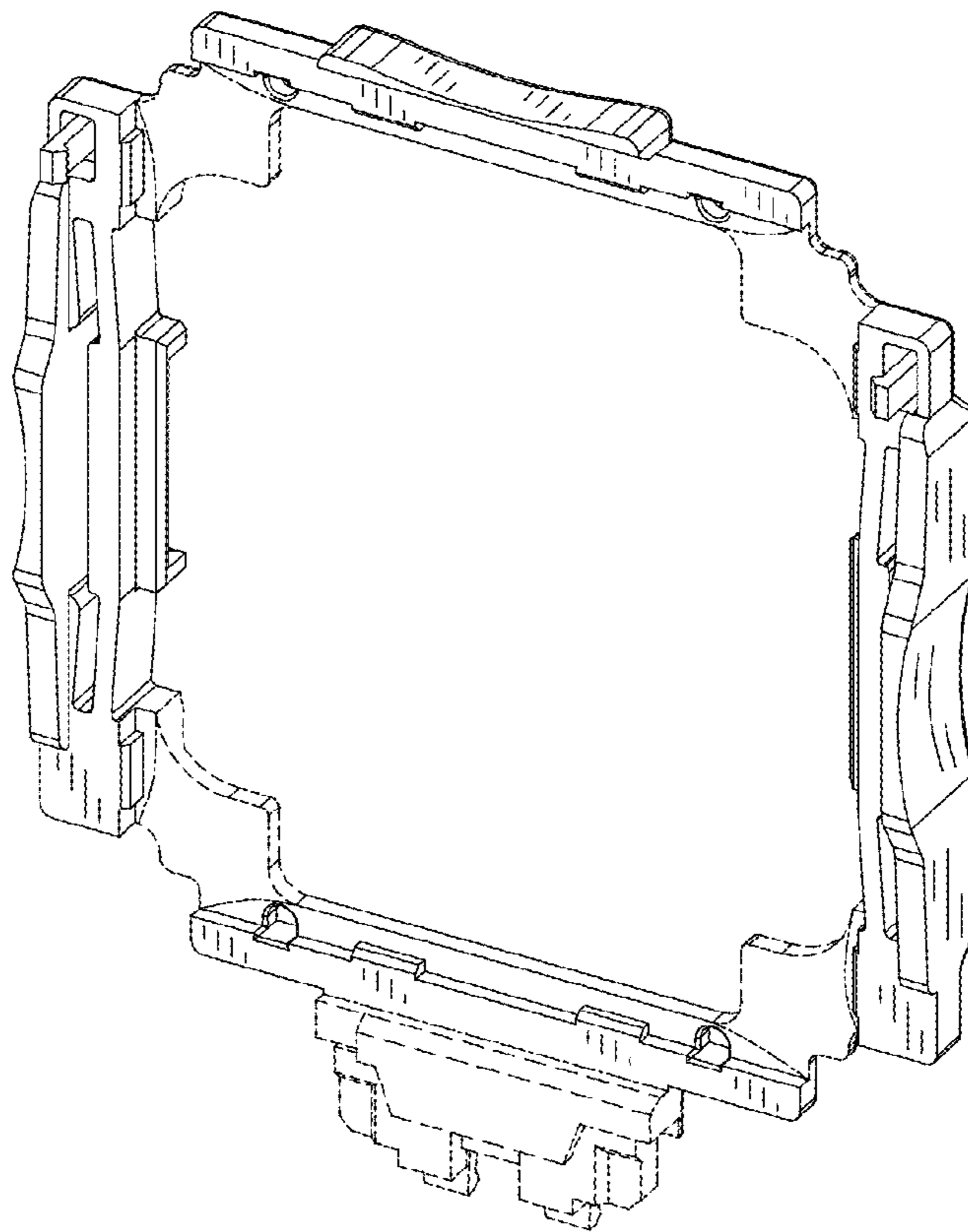


FIG. 1

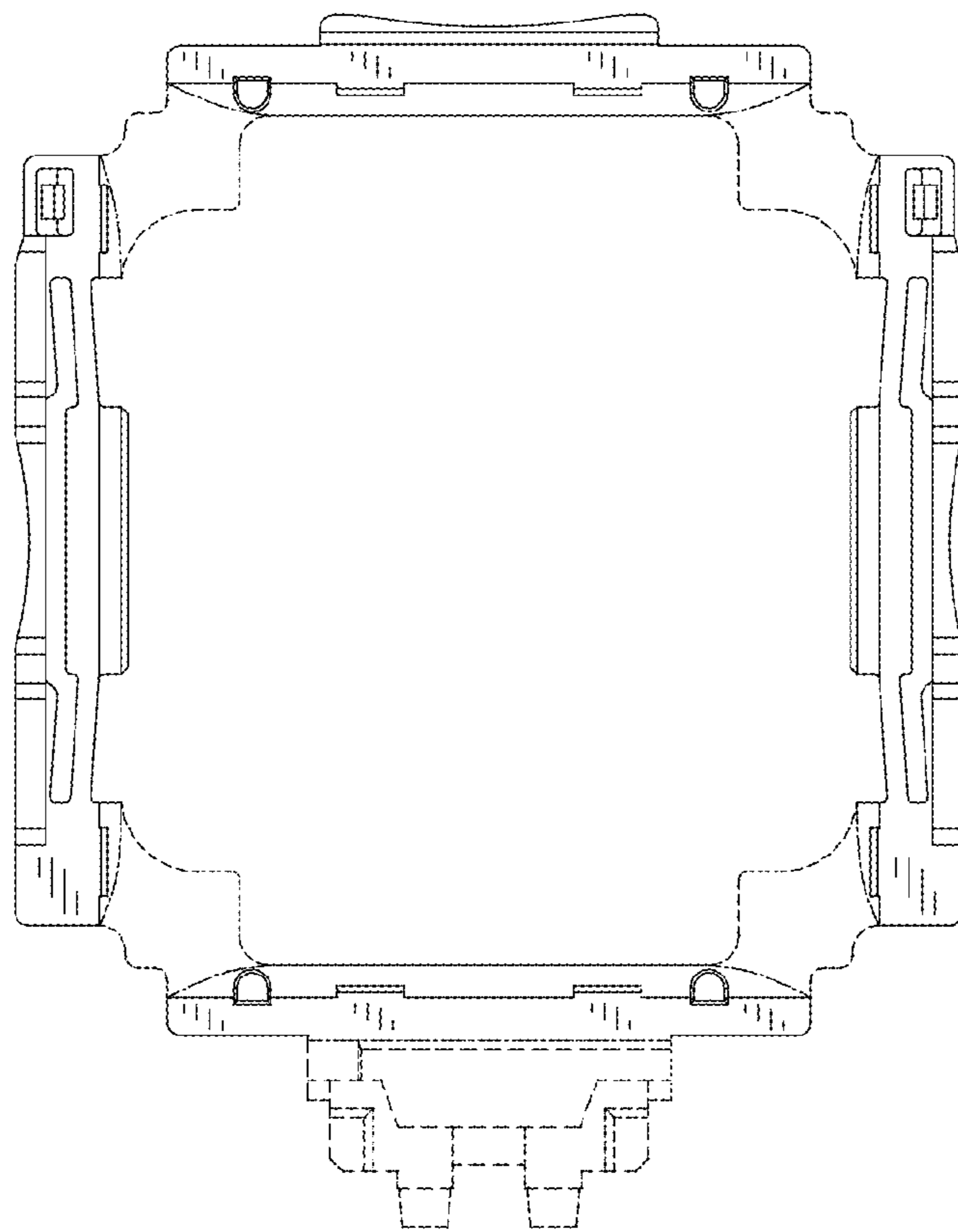


FIG. 2

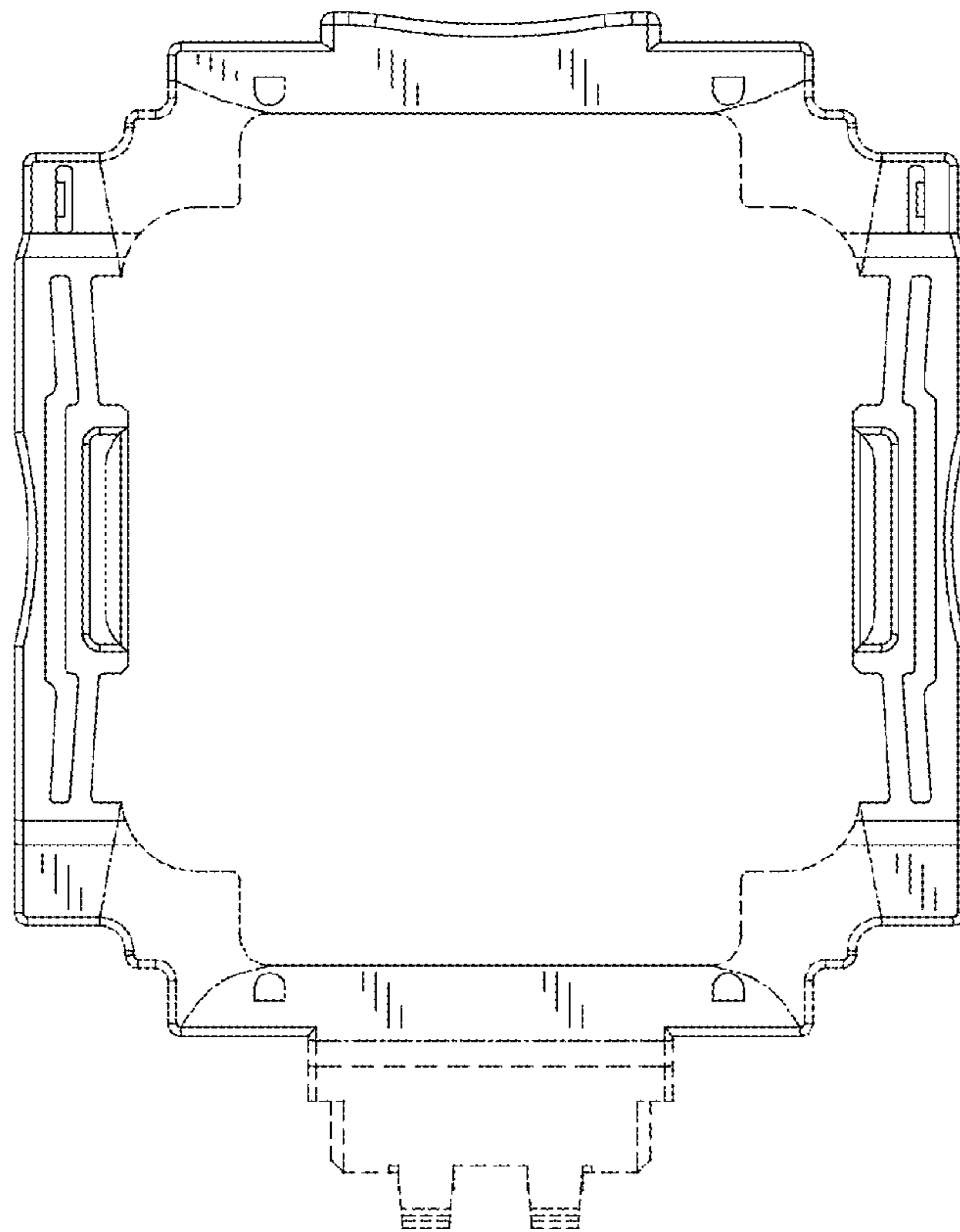


FIG. 3



FIG. 4

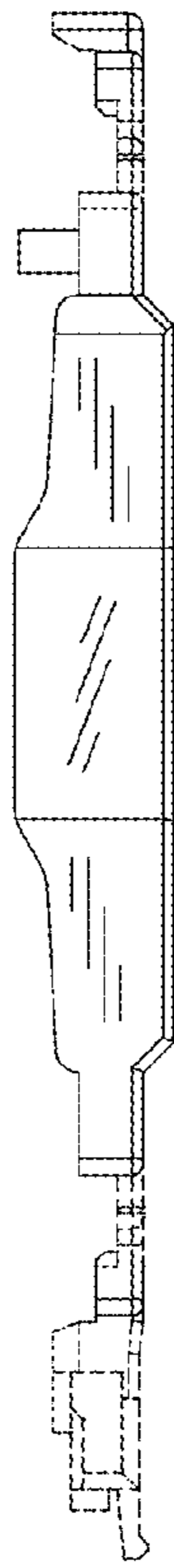


FIG. 5

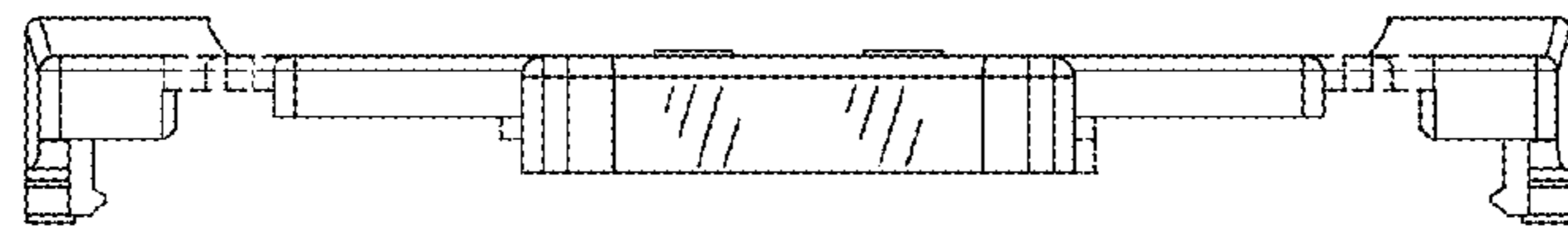


FIG. 6

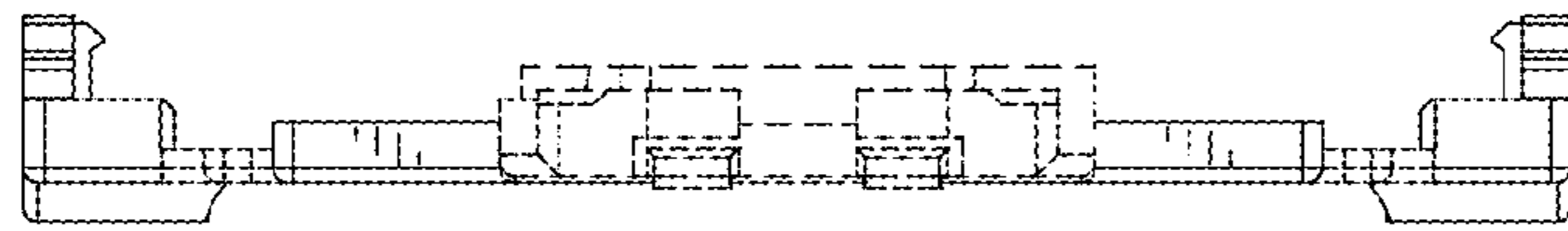


FIG. 7



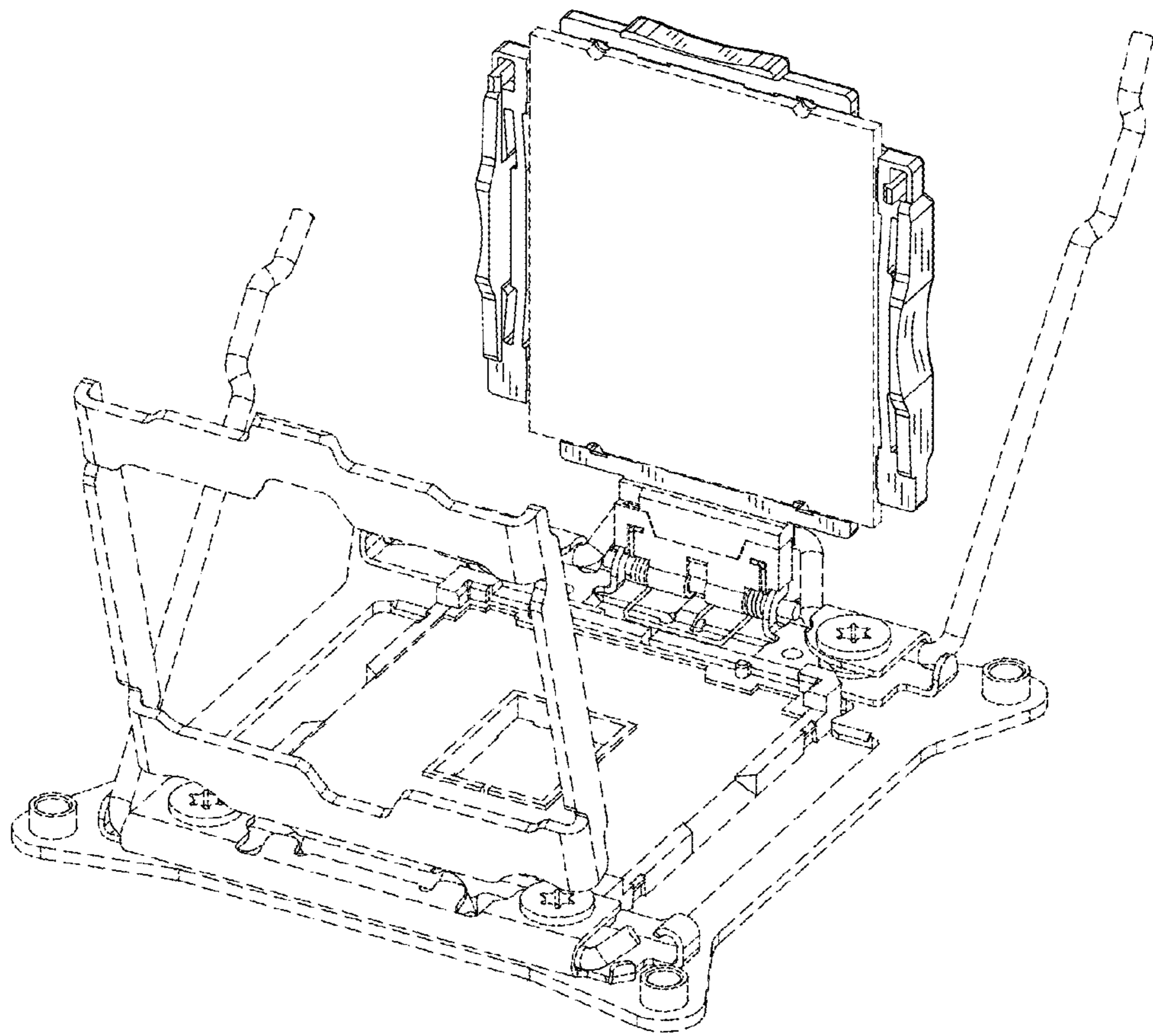


FIG. 8