



US00D719516S

(12) **United States Design Patent**  
**Yeh**

(10) **Patent No.:** **US D719,516 S**

(45) **Date of Patent:** **\*\* Dec. 16, 2014**

(54) **FIXING COMPONENT**

(71) Applicant: **Hon Hai Precision Industry Co., Ltd.**,  
New Taipei (TW)

(72) Inventor: **Cheng-Chi Yeh**, New Taipei (TW)

(73) Assignee: **Hon Hai Precision Industry Co., Ltd.**,  
New Taipei (TW)

(\*\*) Term: **14 Years**

(21) Appl. No.: **29/476,583**

(22) Filed: **Dec. 16, 2013**

(51) **LOC (10) Cl.** ..... **13-03**

(52) **U.S. Cl.**  
USPC ..... **D13/154**

(58) **Field of Classification Search**  
USPC ..... D13/147, 154, 184, 194; D14/432, 433,  
D14/435, 436, 438; 439/64, 79, 159, 160,  
439/330, 331, 341, 342, 476.1, 607.01,  
439/607.04, 607.05, 607.17, 607.25,  
439/607.34, 607.41, 607.53, 629, 630, 636,  
439/660, 668, 680, 773, 862, 892, 894,  
439/946; 361/684, 685  
See application file for complete search history.

(56) **References Cited**

**U.S. PATENT DOCUMENTS**

6,780,041	B1 *	8/2004	Ma	.....	439/342
6,875,038	B1 *	4/2005	McHugh et al.	.....	439/331
D505,921	S *	6/2005	Ma	.....	D13/149
6,905,357	B2 *	6/2005	Ma	.....	439/331
6,910,908	B2 *	6/2005	Tran et al.	.....	439/342

6,927,981	B1 *	8/2005	Kao	.....	361/740
D596,124	S *	7/2009	Ma et al.	.....	D13/133
D631,847	S *	2/2011	Ma et al.	.....	D13/154
2008/0113545	A1 *	5/2008	Zhang et al.	.....	439/345
2009/0104794	A1 *	4/2009	Ma	.....	439/66

\* cited by examiner

*Primary Examiner* — Daniel Bui

(74) *Attorney, Agent, or Firm* — Wei Te Chung; Ming Chieh Chang

(57) **CLAIM**

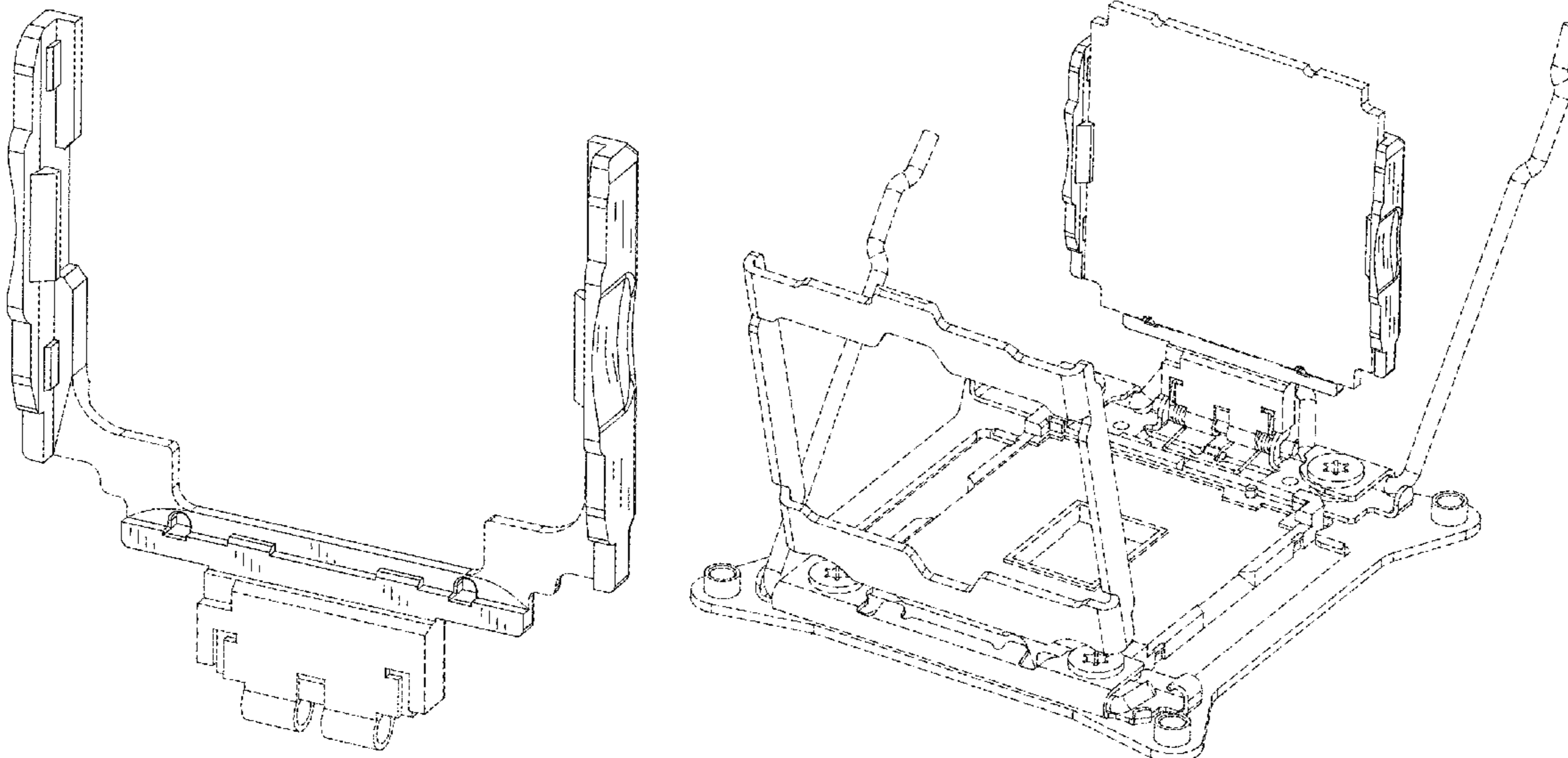
The ornamental design for a fixing component, as shown and described.

**DESCRIPTION**

FIG. 1 is a front, top and left side perspective view of a fixing component showing our new design;  
FIG. 2 is a front elevational view thereof;  
FIG. 3 is a rear elevational view thereof;  
FIG. 4 is a left side elevational view thereof;  
FIG. 5 is a right side elevational view thereof;  
FIG. 6 is a top plan view thereof;  
FIG. 7 is a bottom plan view thereof;  
FIG. 8 is a perspective view thereof, in use and open condition;  
FIG. 9 is another perspective view thereof, in use and partially closed condition; and,  
FIG. 10 is another perspective view thereof, in use and closed condition.

The broken line in the figure drawing views is included for the purpose of illustrating environment and forms no part of the claimed design. The dash-dot line in the figure drawing views represents the boundary of the claimed design.

**1 Claim, 10 Drawing Sheets**



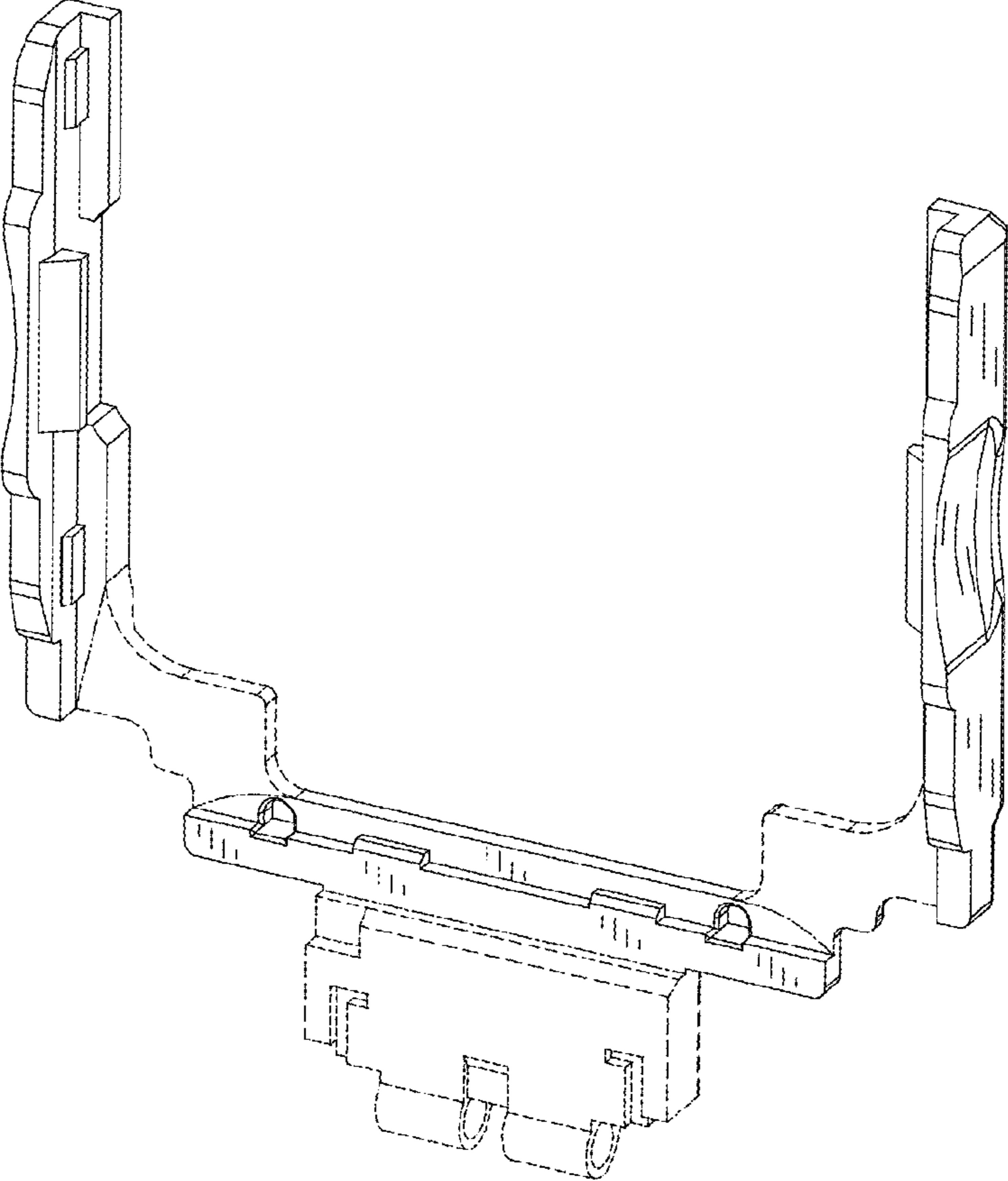


FIG. 1

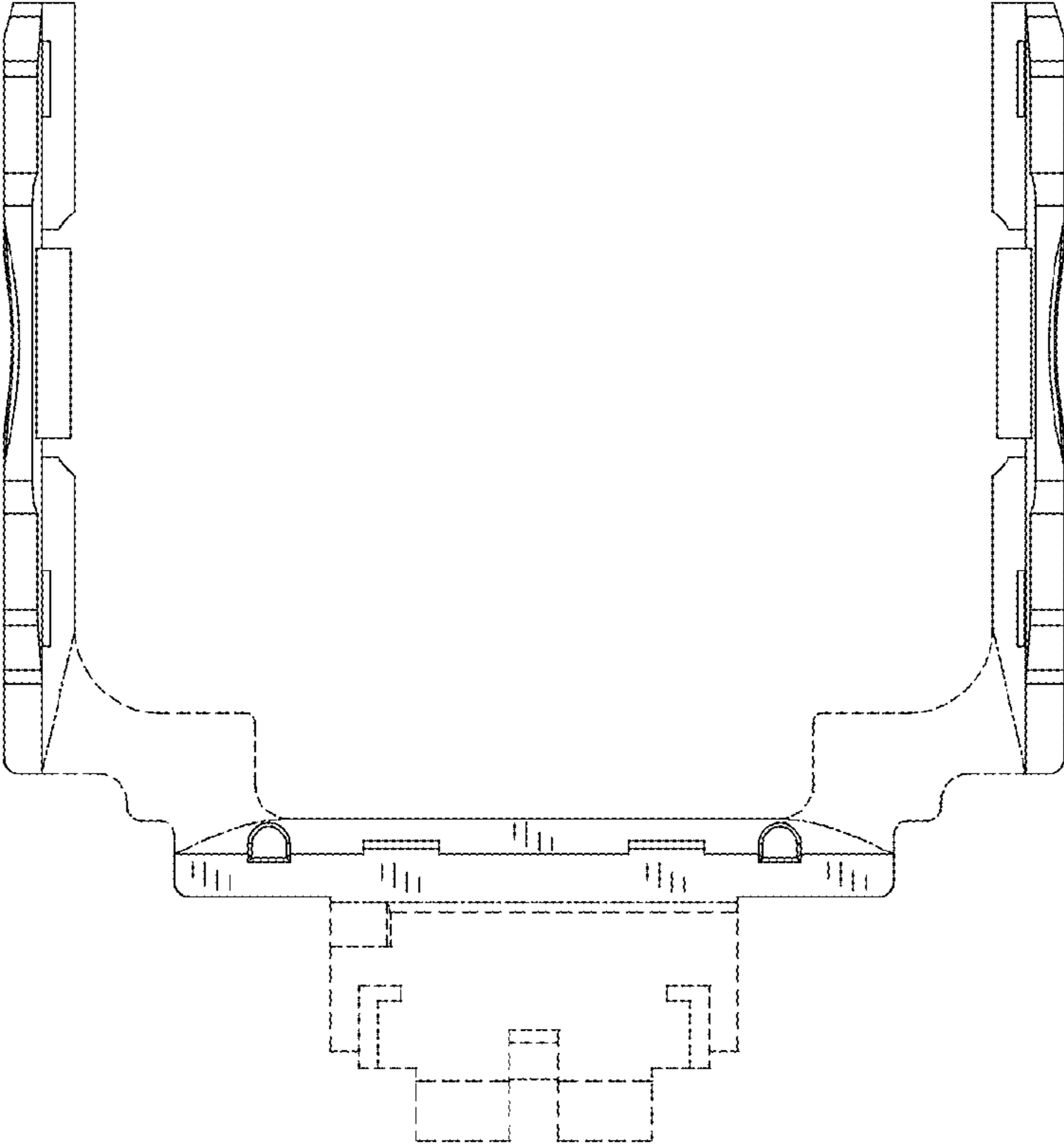


FIG. 2

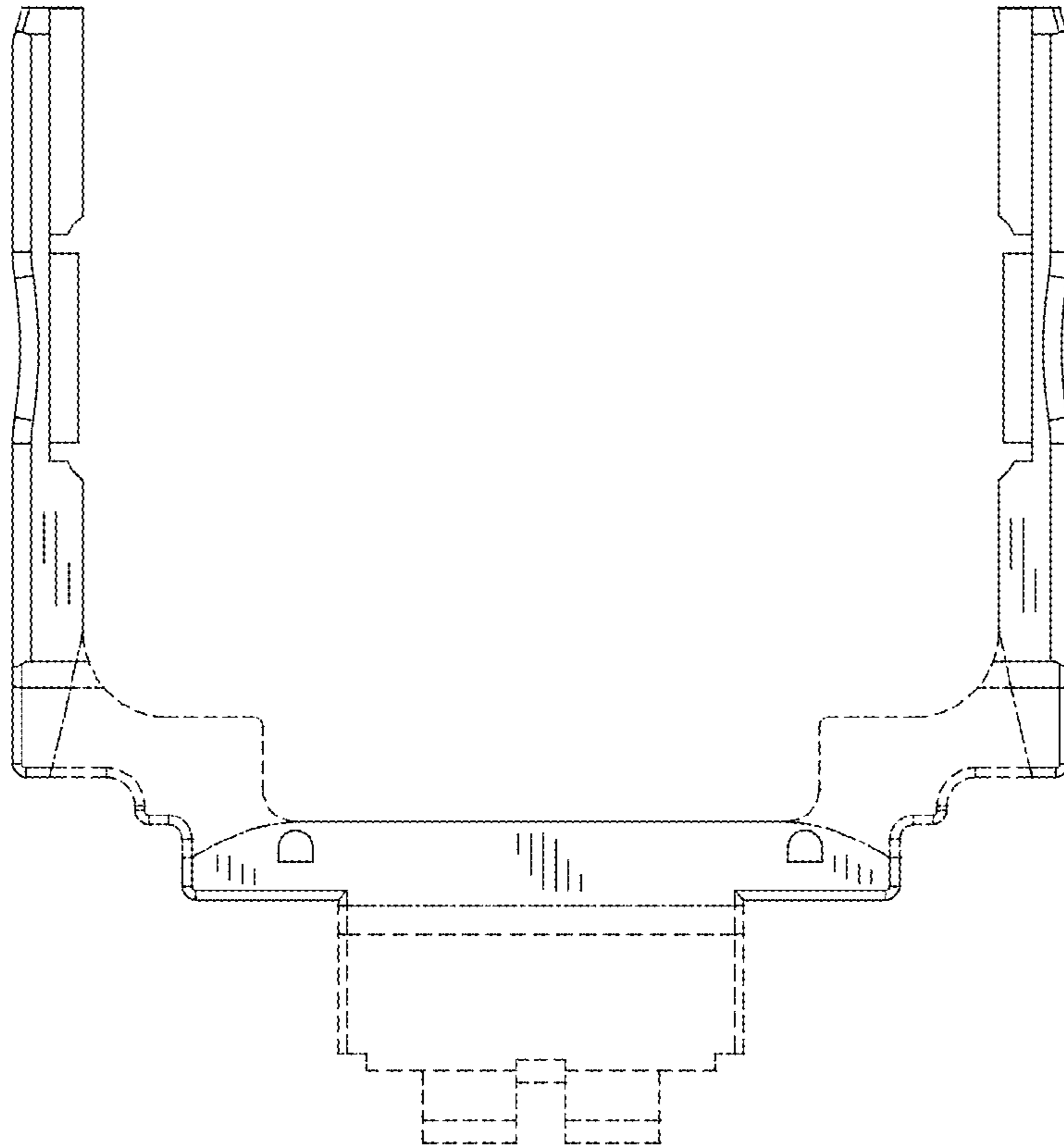


FIG. 3



FIG. 4



FIG. 5

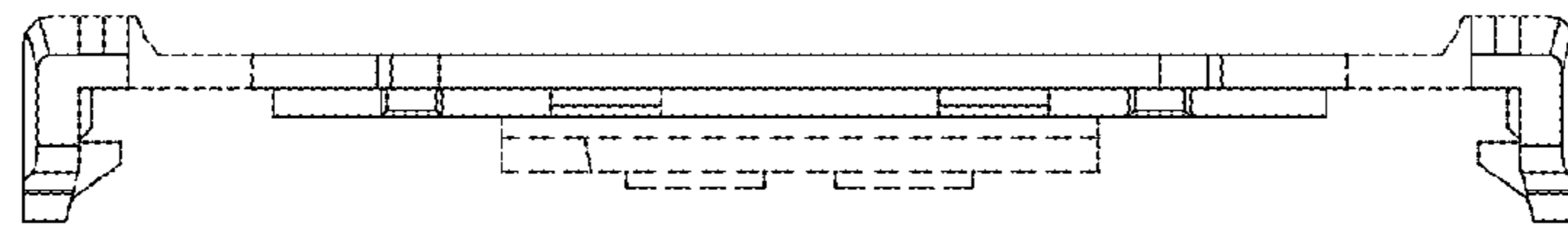


FIG. 6

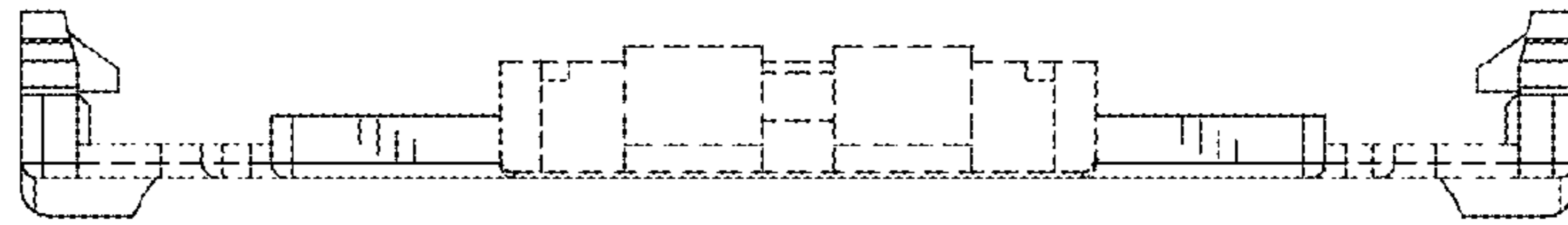


FIG. 7



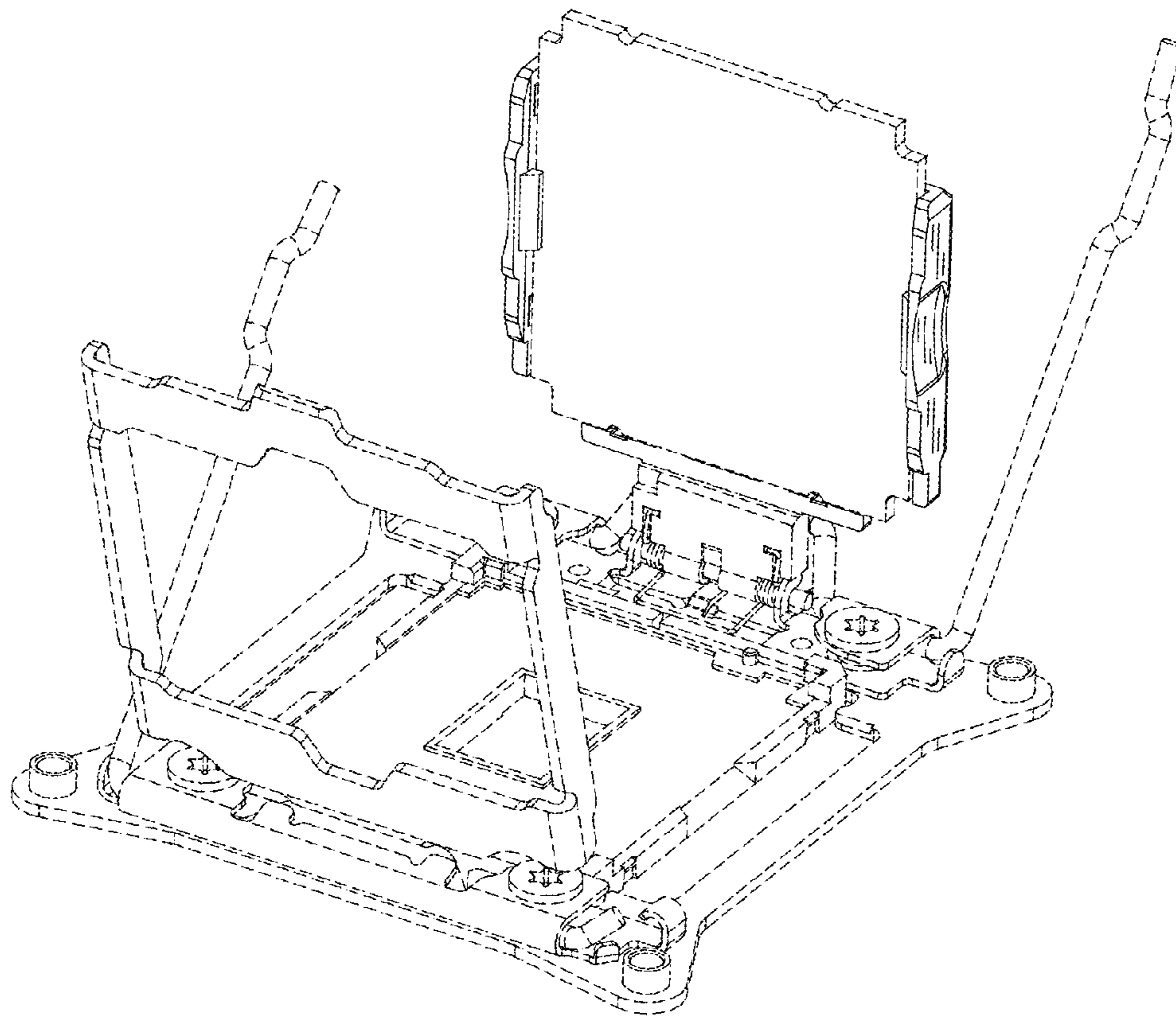


FIG. 8

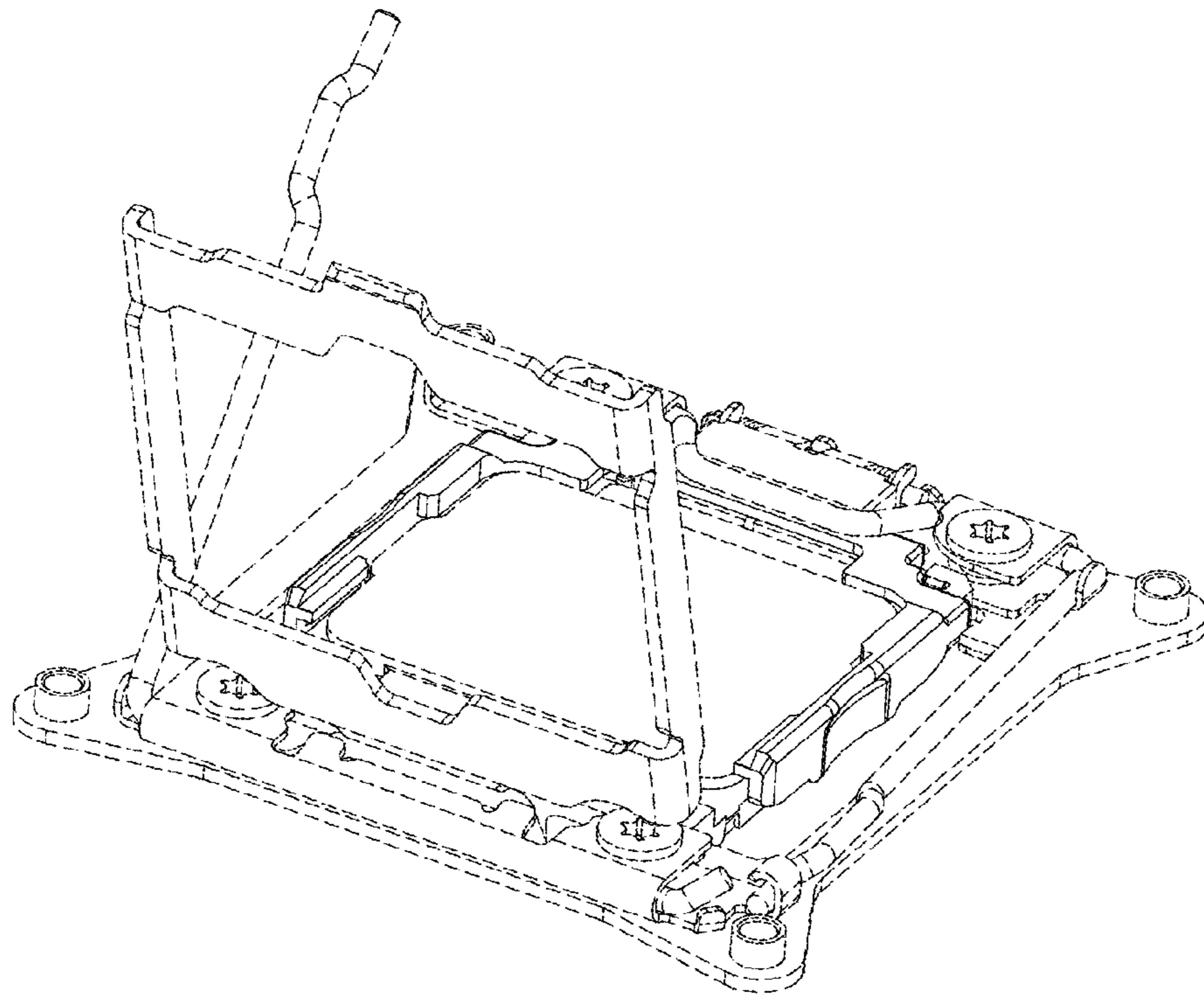


FIG. 9

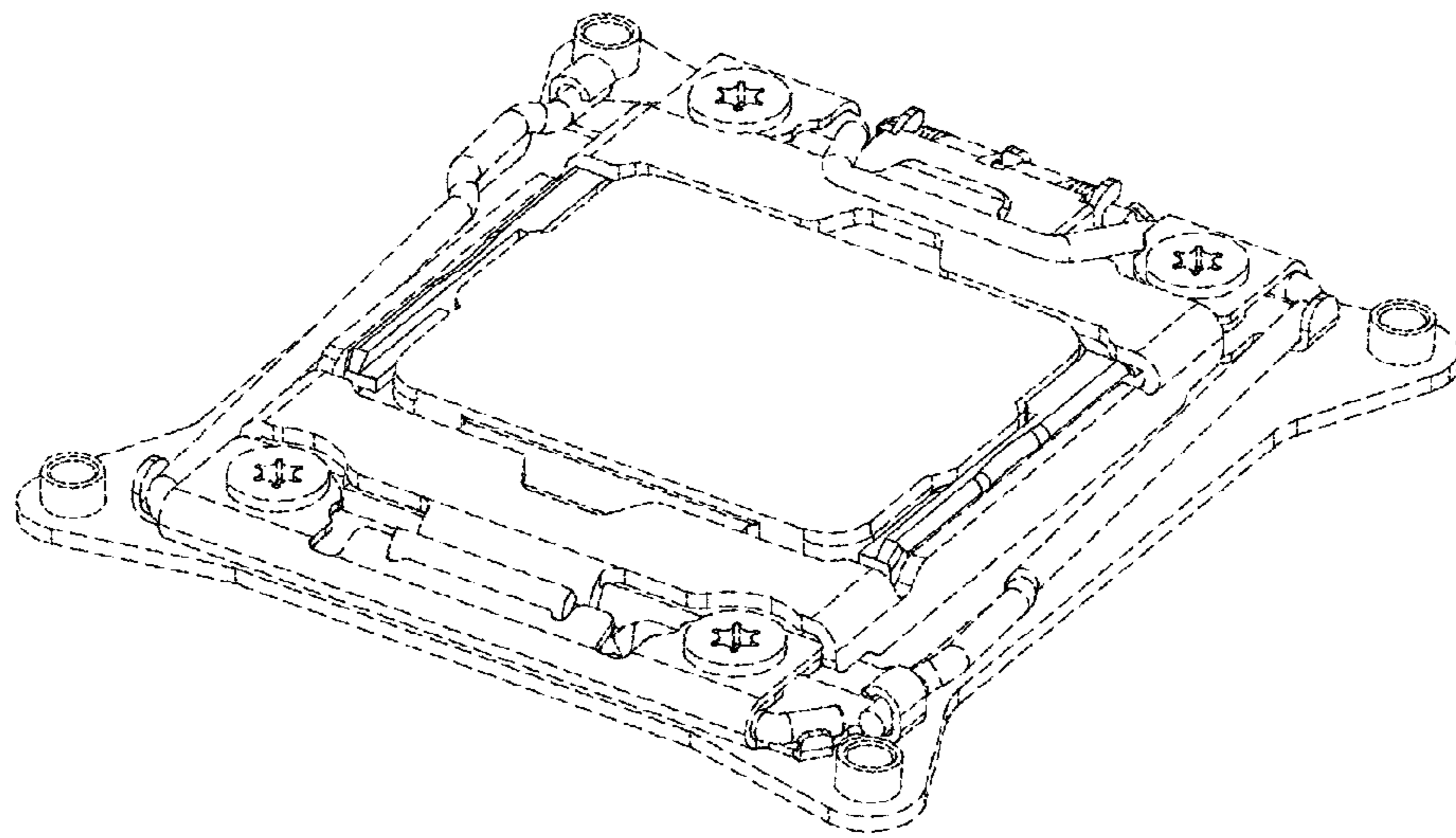


FIG. 10