



US00D719515S

(12) **United States Design Patent**  
**Huang**

(10) **Patent No.:** **US D719,515 S**

(45) **Date of Patent:** **\*\* \*Dec. 16, 2014**

(54) **ELECTRICAL CONNECTOR**

(76) Inventor: **Di Huang**, Olive Branch, MS (US)

(\* ) Notice: This patent is subject to a terminal disclaimer.

(\*\*) Term: **14 Years**

(21) Appl. No.: **29/408,544**

(22) Filed: **Dec. 14, 2011**

(51) **LOC (10) Cl.** ..... **13-03**

(52) **U.S. Cl.**  
USPC ..... **D13/154; D13/147**

(58) **Field of Classification Search**  
USPC ..... D13/107, 110, 125, 133, 152, 156, 158,  
D13/162, 184, 199; D14/137, 158, 230,  
D14/240; D10/104.1; 340/438, 441;  
701/31.4; 439/352

See application file for complete search history.

(56) **References Cited**

**U.S. PATENT DOCUMENTS**

D301,712 S *	6/1989	Israel	.....	D13/133
4,940,420 A *	7/1990	Munie	.....	439/272
D313,969 S *	1/1991	Lacroix	.....	D13/133
D333,293 S *	2/1993	Ashida	.....	D13/147
D587,200 S *	2/2009	Allwood et al.	.....	D13/133

D598,856 S *	8/2009	Stromiedel et al.	.....	D13/133
D599,297 S *	9/2009	Chen	.....	D13/147
D635,932 S *	4/2011	Svelnis et al.	.....	D13/154
D660,802 S *	5/2012	Quinn et al.	.....	D13/151
D675,568 S *	2/2013	Drew et al.	.....	D13/133
2008/0188138 A1 *	8/2008	Carroll et al.	.....	439/676

\* cited by examiner

*Primary Examiner* — Thomas Johannes

(74) *Attorney, Agent, or Firm* — H. Roy Berkenstock; Wyatt, Tarrant & Combs, LLP

(57) **CLAIM**

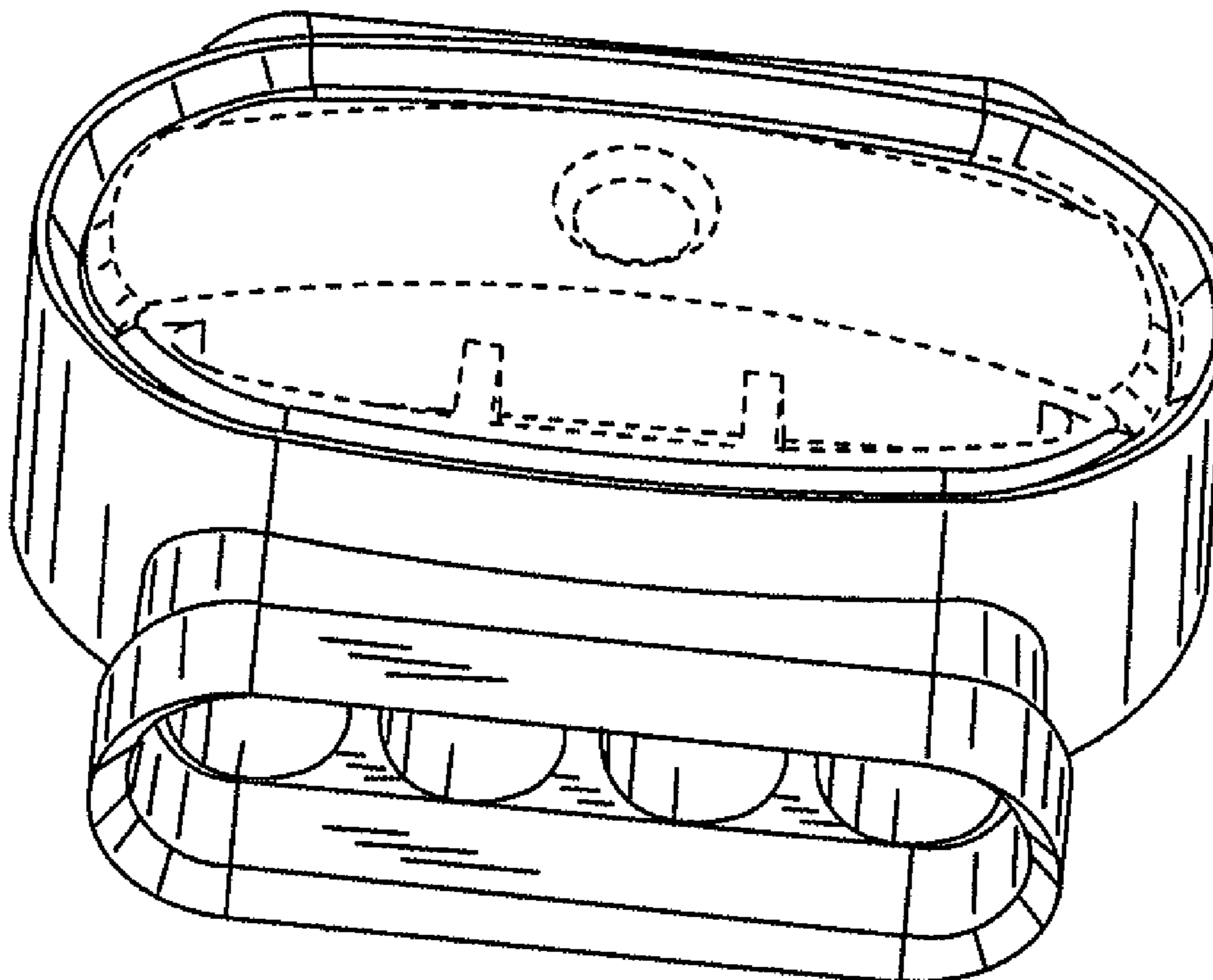
The ornamental design for the electrical connector, as shown and described.

**DESCRIPTION**

FIG. 1 is a perspective view of the electrical connector showing my new design;  
FIG. 2 is a right side view thereof;  
FIG. 3 is a left side view thereof;  
FIG. 4 is a top view thereof;  
FIG. 5 is a frontal view thereof;  
FIG. 6 is a bottom view thereof; and,  
FIG. 7 is a rear view thereof.

The broken line portion of the figure drawings is included to show unclaimed subject matter only and forms no part of the claimed design.

**1 Claim, 2 Drawing Sheets**



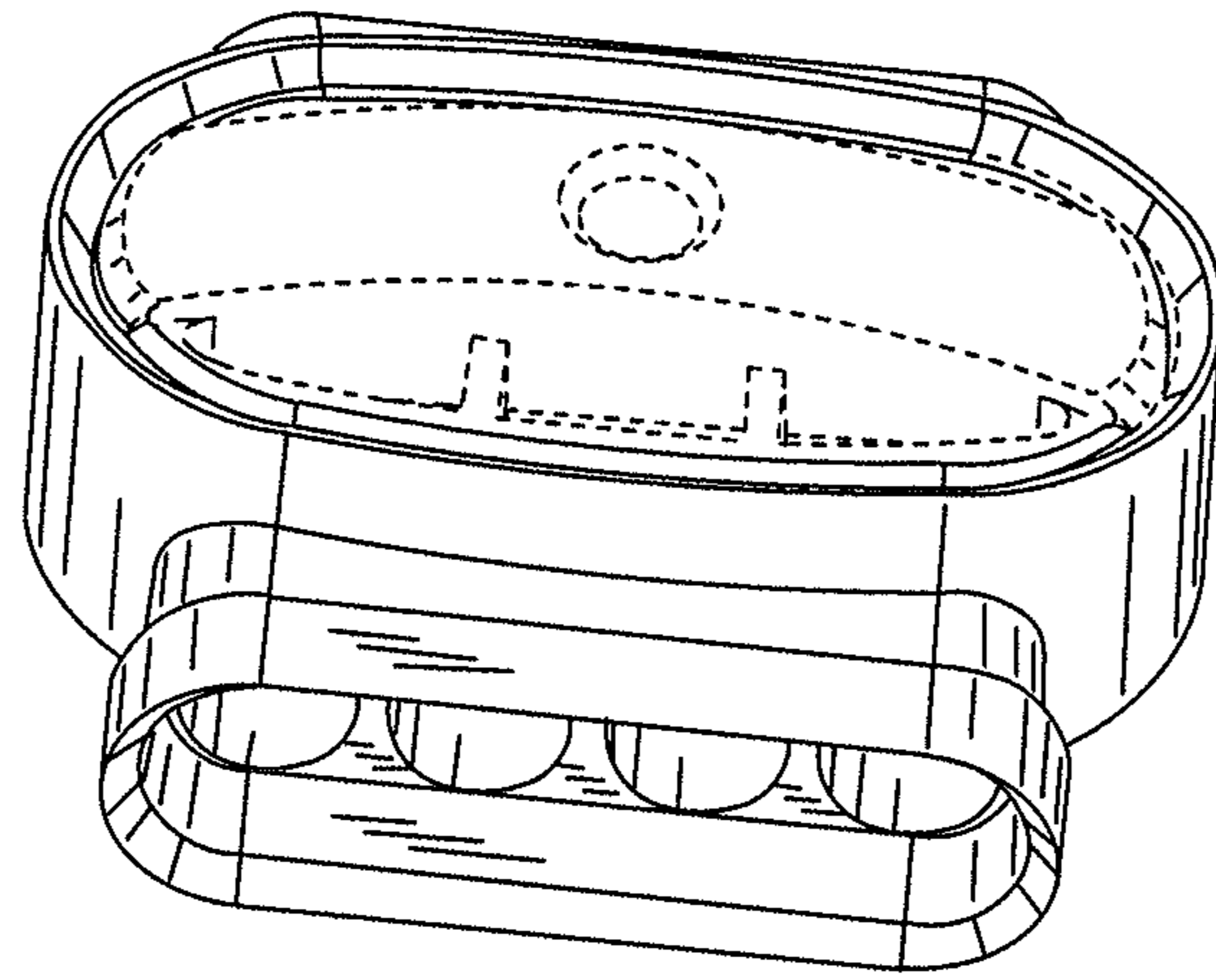


FIG. 1

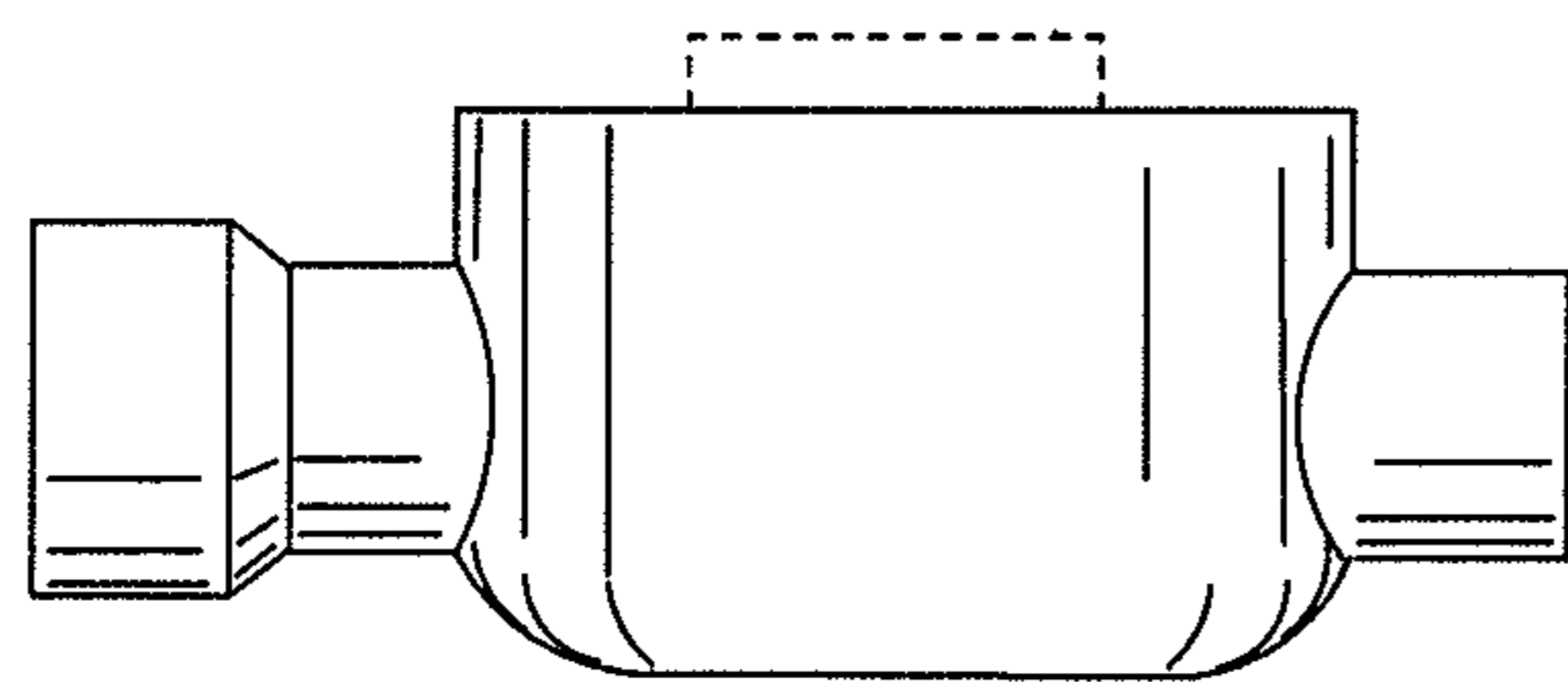


FIG. 2

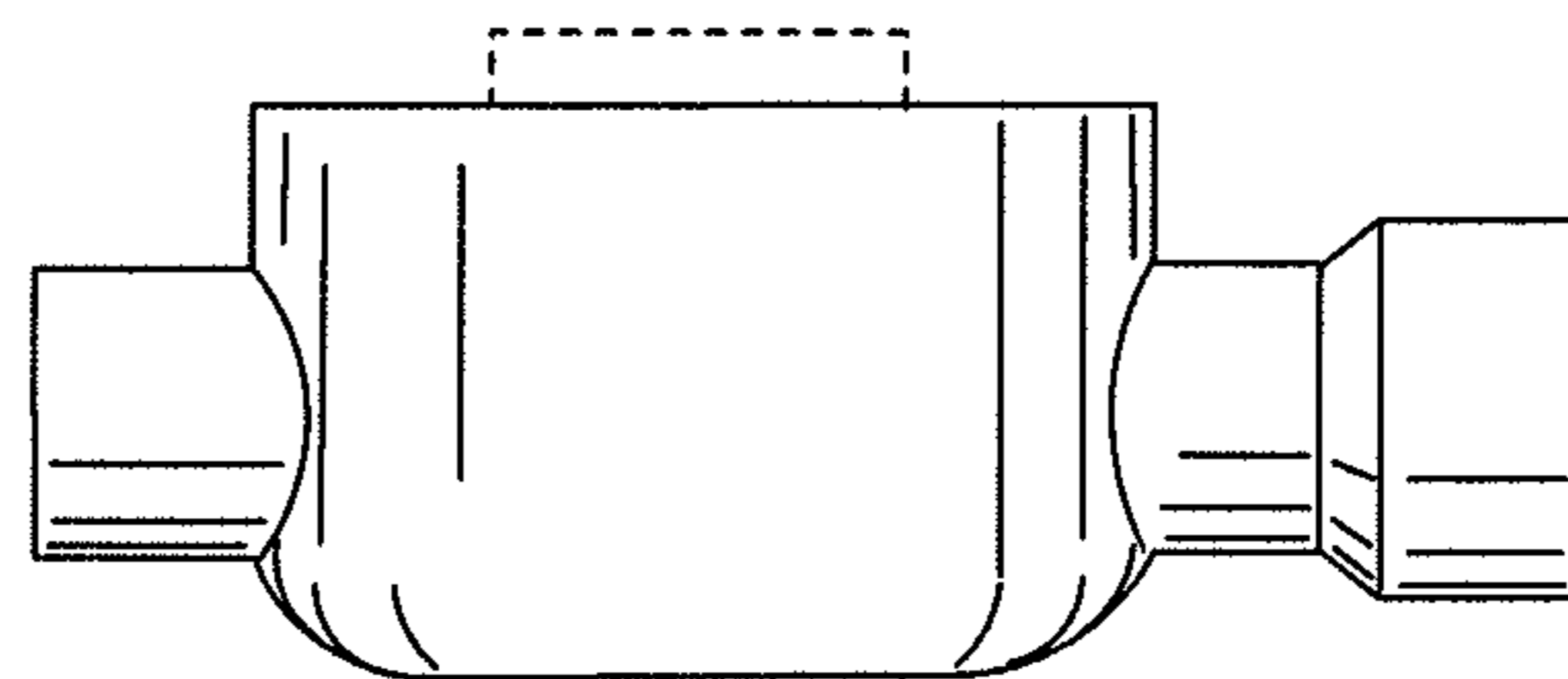


FIG. 3

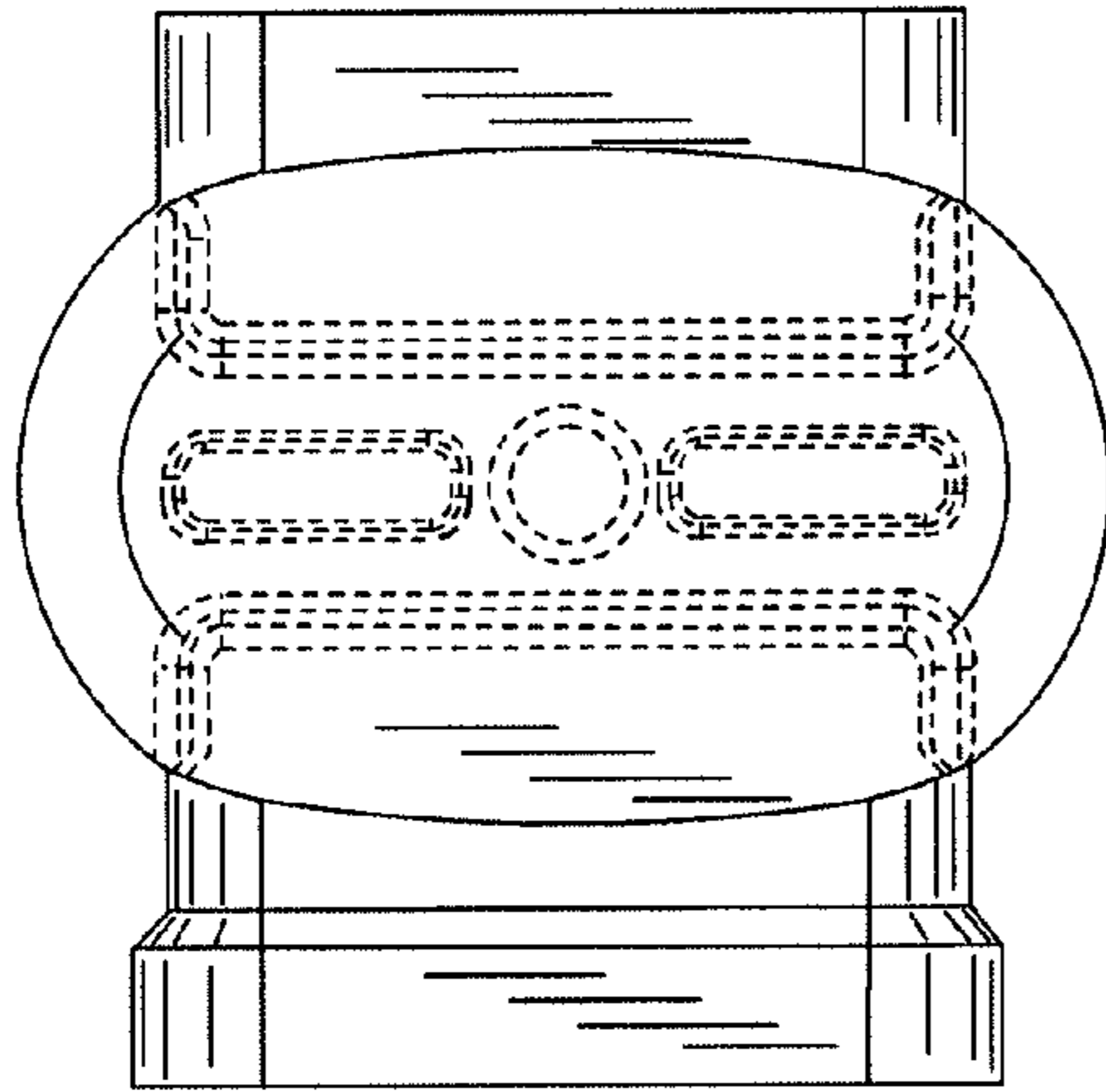


FIG. 4

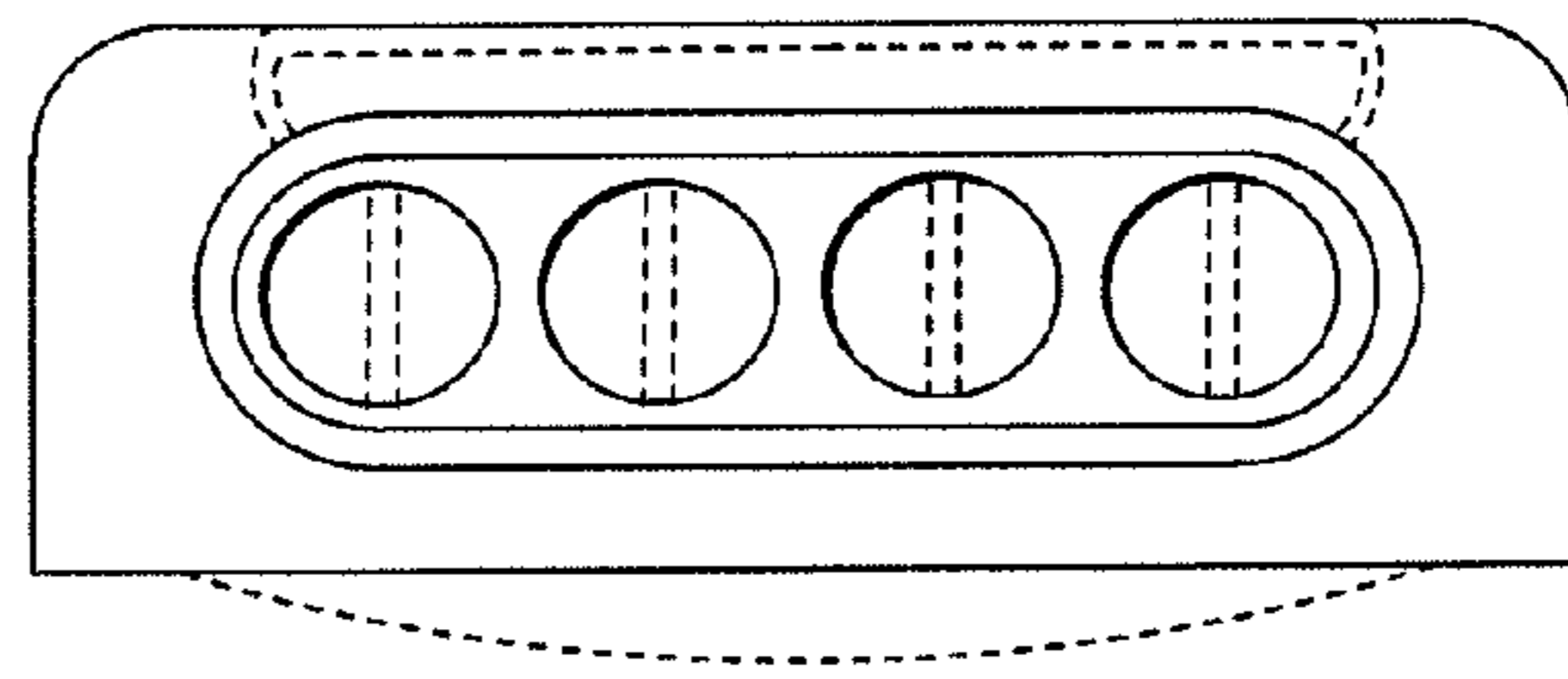


FIG. 5

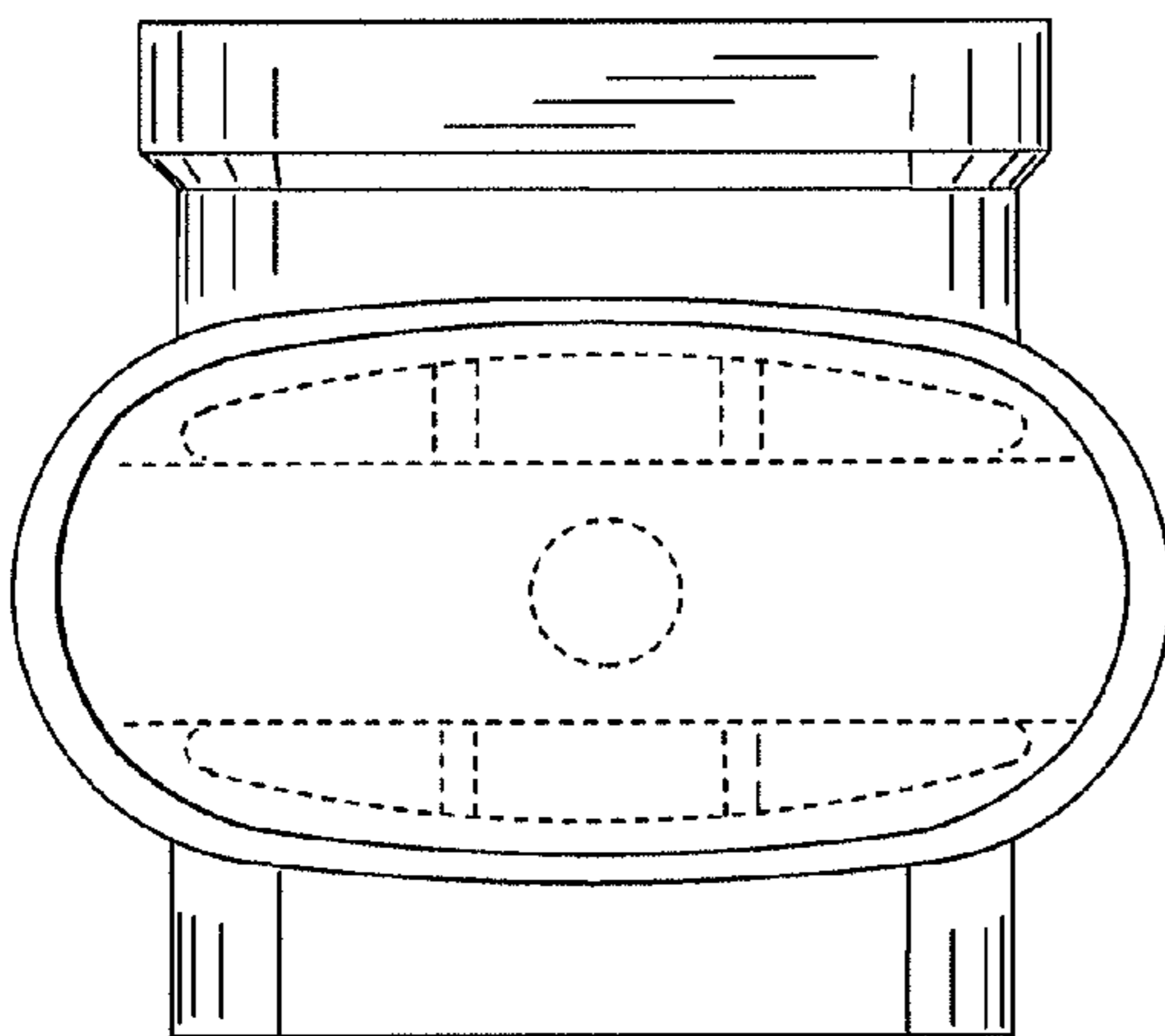


FIG. 6

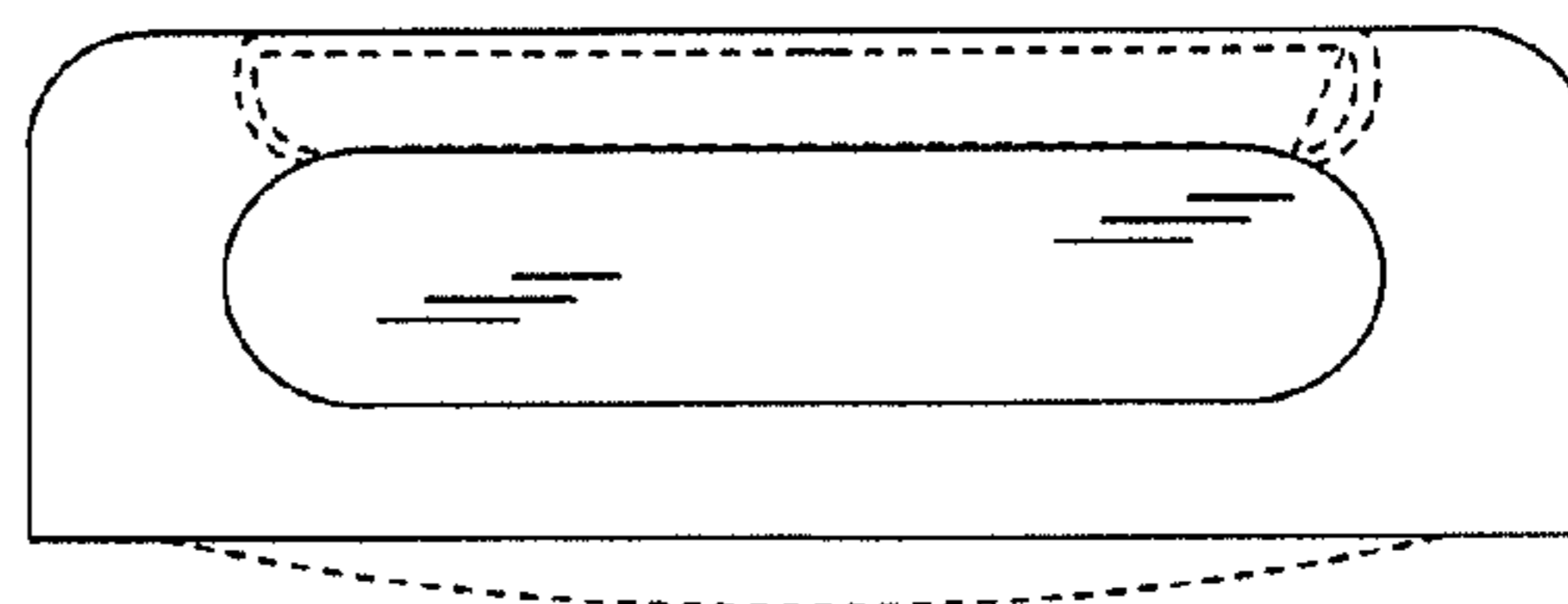


FIG. 7