



US00D719514S

(12) **United States Design Patent**
Andresen et al.

(10) **Patent No.:** **US D719,514 S**

(45) **Date of Patent:** **** Dec. 16, 2014**

(54) **ELECTRICAL HOUSING**

439/350, 367, 370, 374, 527, 532, 533,
439/620.15, 894, 901, 903

(71) Applicant: **Phoenix Contact GmbH & Co. KG,**
Blomberg (DE)

See application file for complete search history.

(72) Inventors: **Jens Andresen,** Blomberg (DE);
Thorsten Diessel, Hiddenhausen (DE);
Dennis Sprenger, Horn-Bad Meinberg
(DE); **Detlef Nehm,**
Schieder-Schwalenberg (DE)

(56) **References Cited**

U.S. PATENT DOCUMENTS

7,164,086	B1	*	1/2007	Kiely	174/653
D554,067	S	*	10/2007	Phung et al.	D13/151
D581,364	S	*	11/2008	Cummings et al.	D13/151
D613,246	S	*	4/2010	Muecke et al.	D13/133
D627,733	S	*	11/2010	Stutz	D13/147
D636,346	S	*	4/2011	Svelnis et al.	D13/154

* cited by examiner

Primary Examiner — Derrick Holland

(74) *Attorney, Agent, or Firm* — Leydig, Voit & Mayer, Ltd.

(73) Assignee: **Phoenix Contact GmbH & Co. KG,**
Blomberg (DE)

(**) Term: **14 Years**

(57) **CLAIM**

The ornamental design for an electrical housing, as shown.

(21) Appl. No.: **29/467,092**

(22) Filed: **Sep. 16, 2013**

DESCRIPTION

(30) **Foreign Application Priority Data**

Mar. 19, 2013 (DE) 40 2013 001 374

(51) **LOC (10) Cl.** **13-03**

(52) **U.S. Cl.**
USPC **D13/151; D13/156**

(58) **Field of Classification Search**
USPC D13/151, 123, 133, 150, 153, 154, 156,
D13/184, 199; 439/97, 98, 105, 108, 207,
439/208, 304, 310, 325, 338, 344, 345, 347,

FIG. 1 is a top left front perspective view of the electrical housing showing our new design;
FIG. 2 is a bottom plan view thereof;
FIG. 3 is a front elevational view thereof;
FIG. 4 is a left side elevational view thereof;
FIG. 5 is a rear elevational view thereof;
FIG. 6 is a right side elevational view thereof; and,
FIG. 7 is a top plan view thereof.

1 Claim, 7 Drawing Sheets

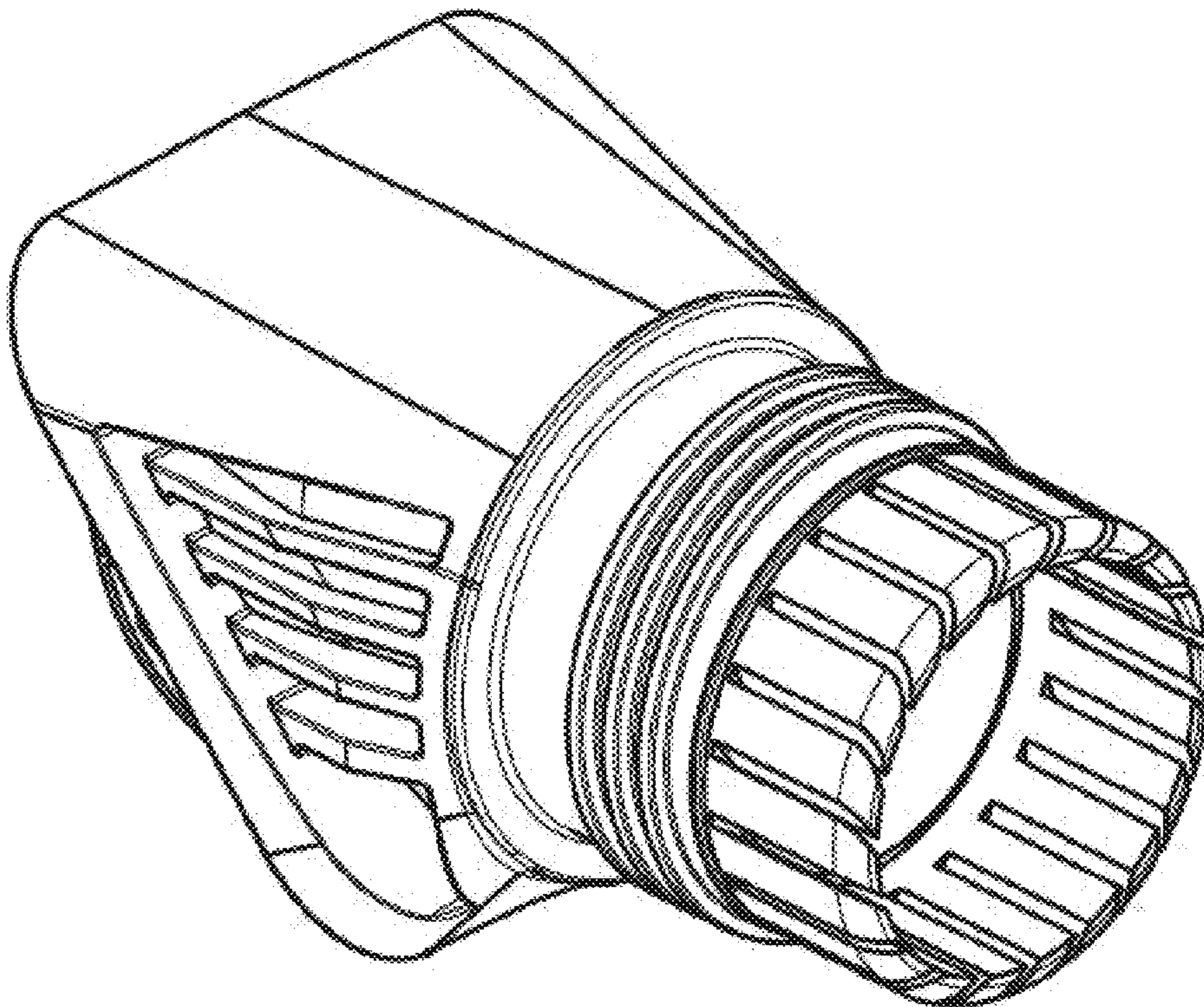


Fig. 1

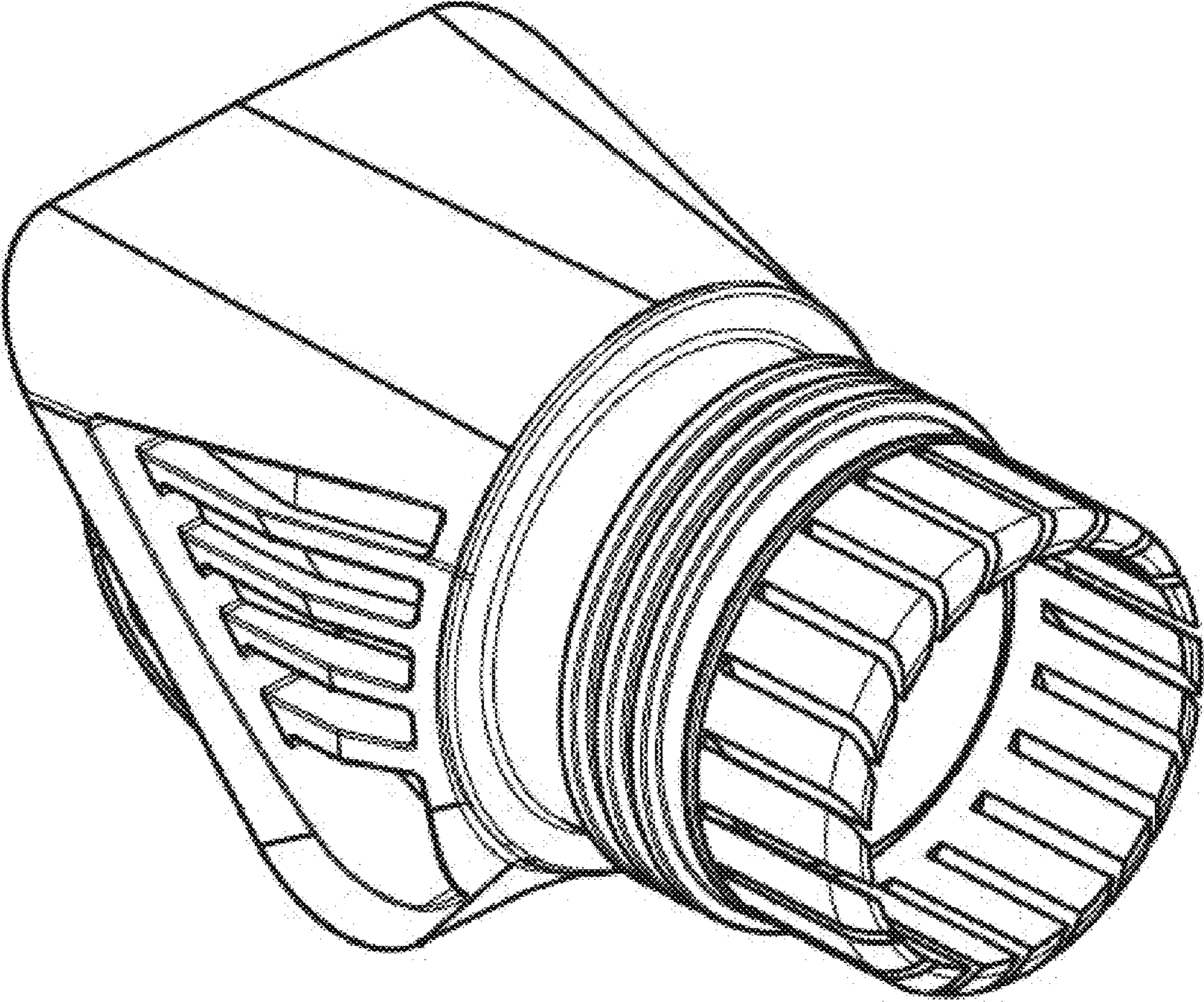


Fig. 2

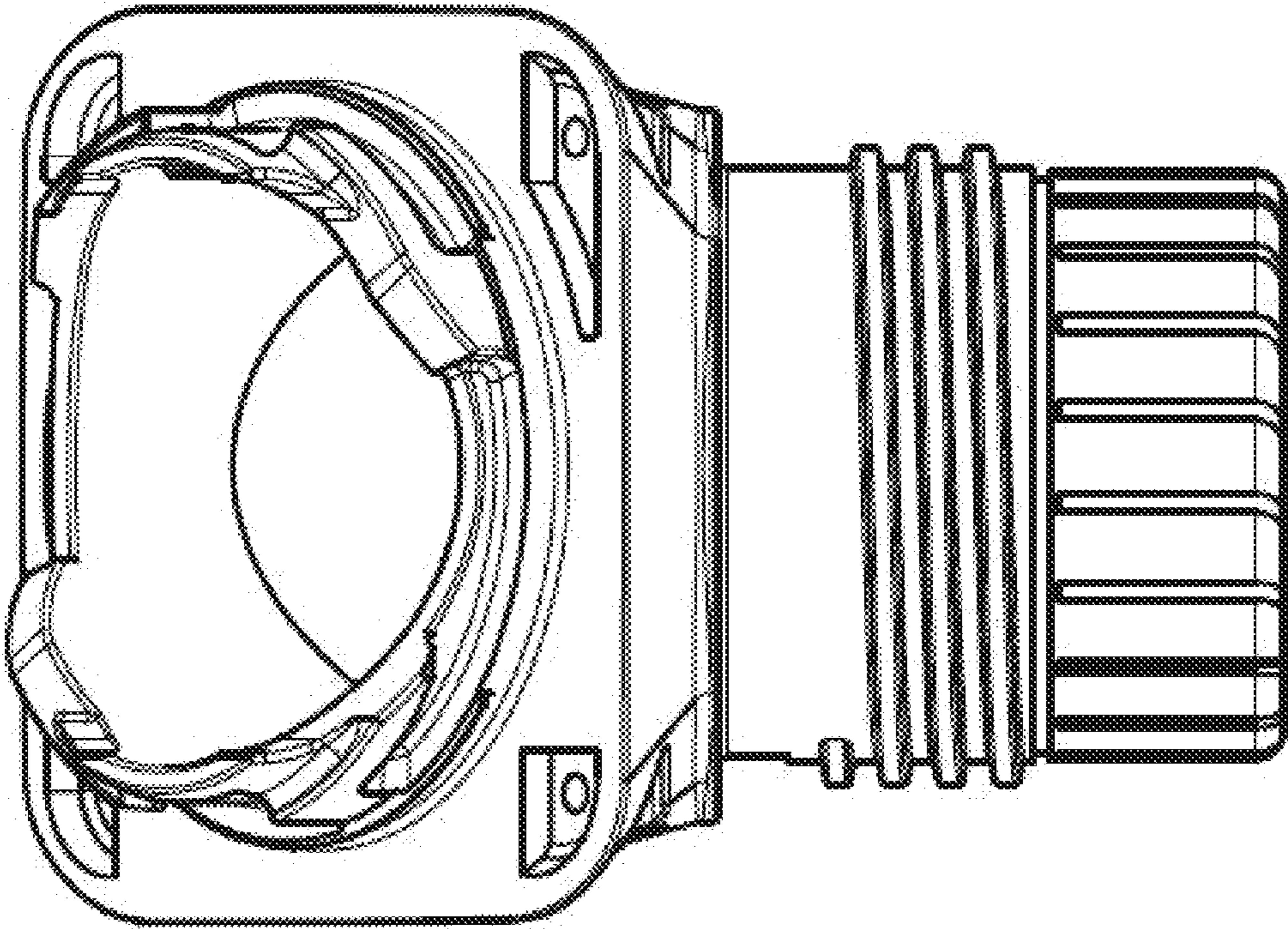


Fig. 3

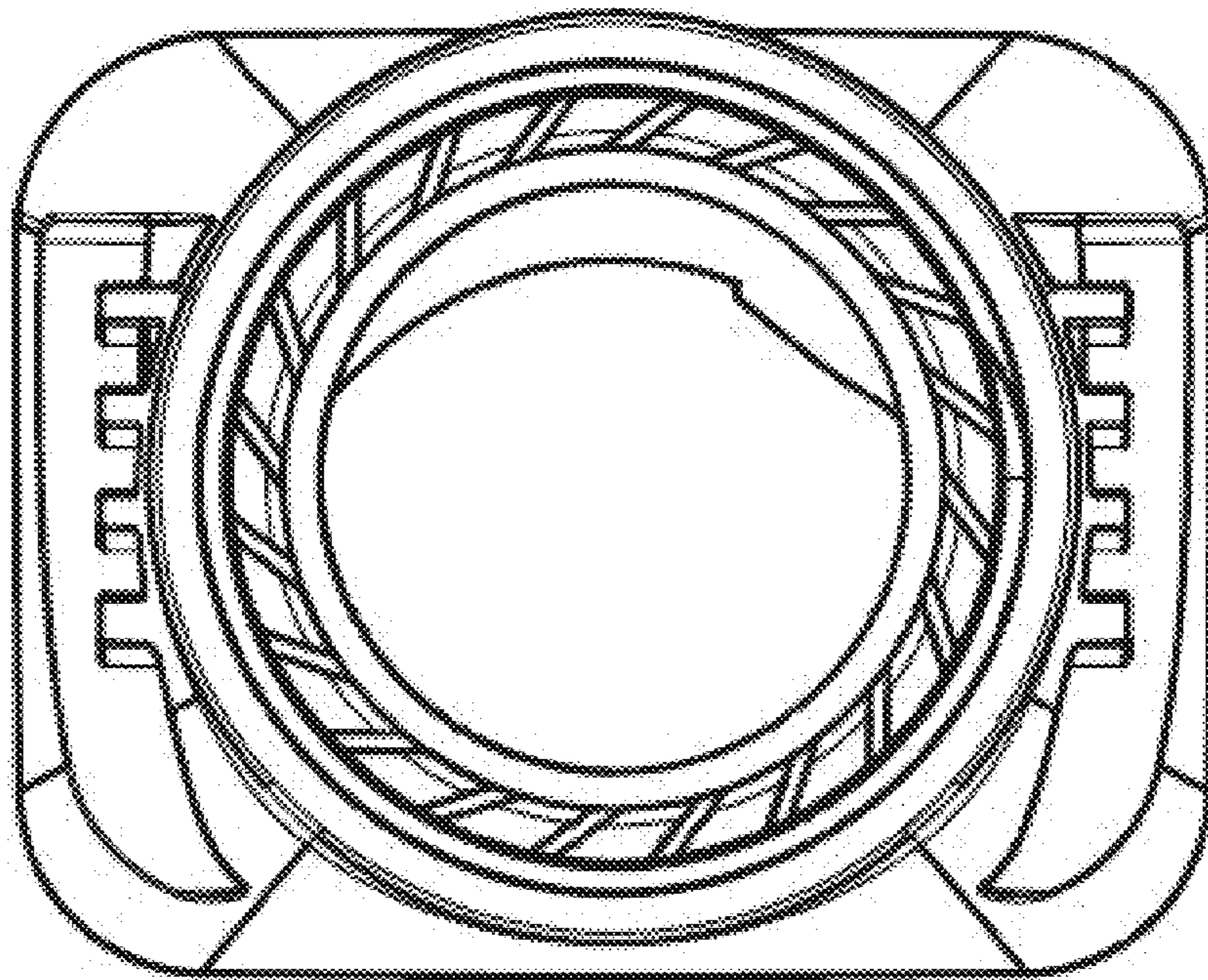


Fig. 4

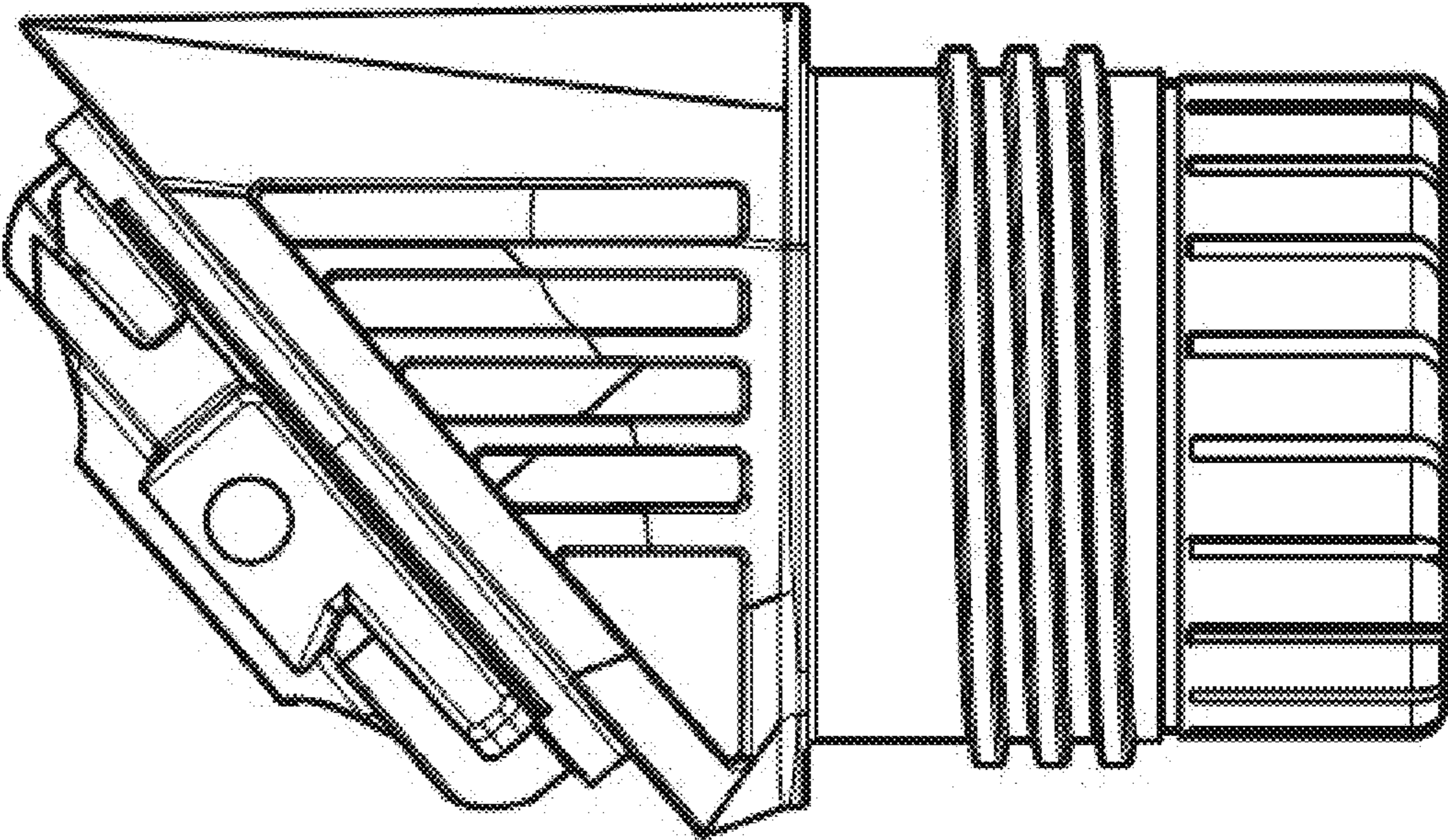


Fig. 5

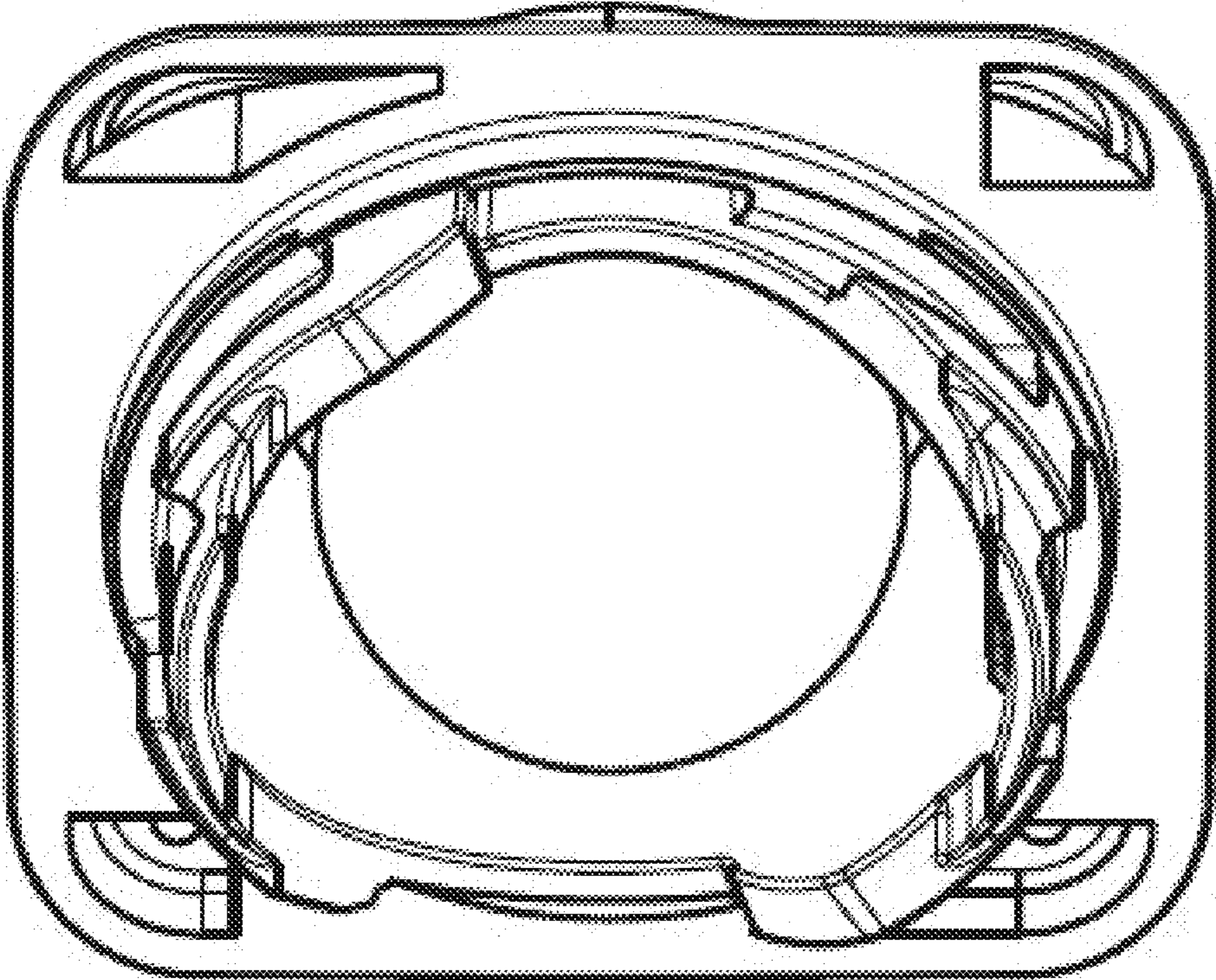


Fig. 6

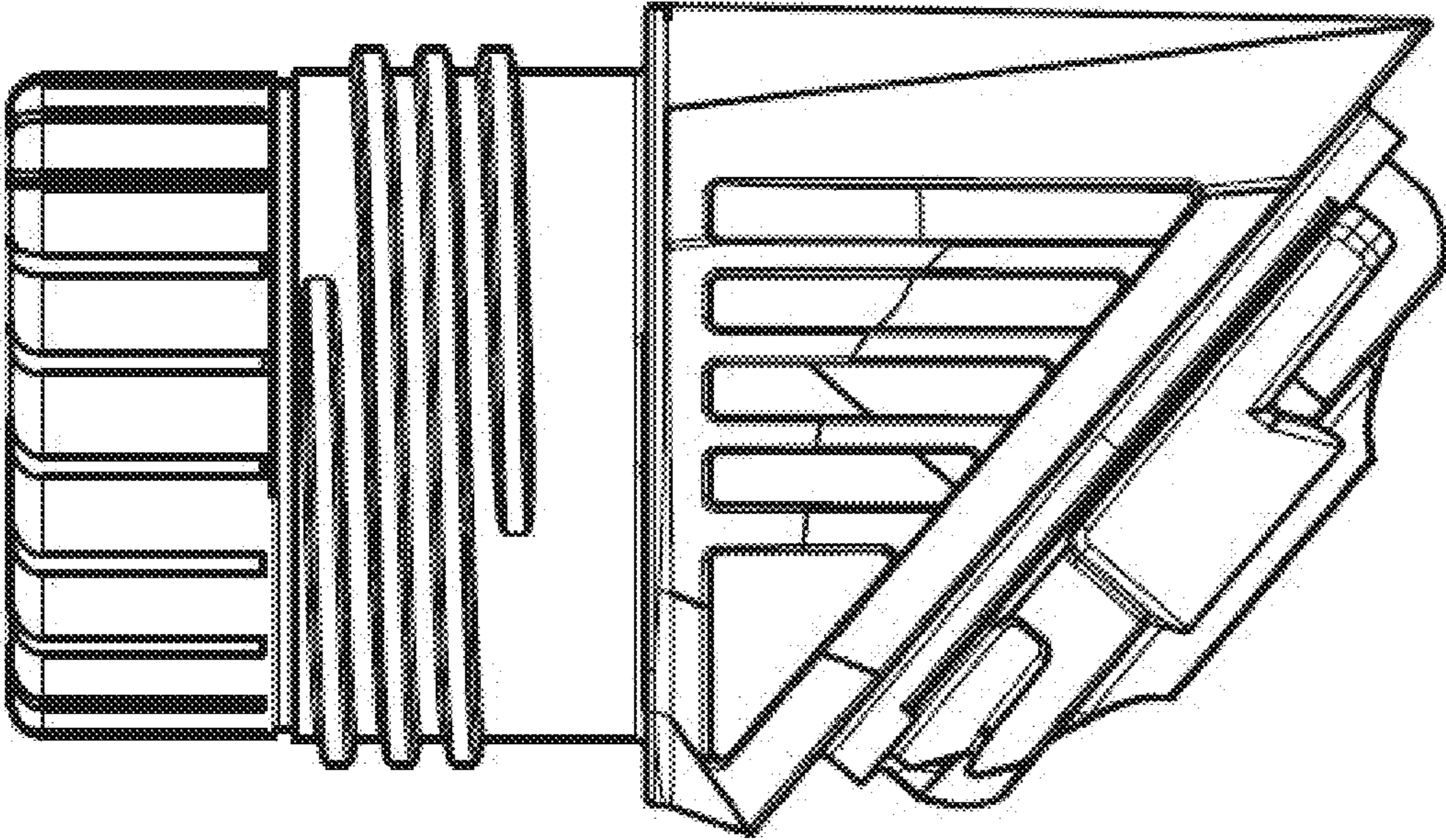


Fig. 7

