



US00D719513S

(12) **United States Design Patent**
Ashibu et al.

(10) **Patent No.:** **US D719,513 S**

(45) **Date of Patent:** **** Dec. 16, 2014**

(54) **ELECTRICAL CONNECTOR**

(71) Applicant: **Japan Aviation Electronics Industry, Limited, Tokyo (JP)**

(72) Inventors: **Kenta Ashibu, Tokyo (JP); Hiroyuki Yokoo, Tokyo (JP)**

(73) Assignee: **Japan Aviation Electronics Industry, Limited, Tokyo (JP)**

(**) Term: **14 Years**

(21) Appl. No.: **29/467,424**

(22) Filed: **Sep. 19, 2013**

(30) **Foreign Application Priority Data**

Apr. 3, 2013 (JP) 2013-007455

(51) **LOC (10) Cl.** **13-03**

(52) **U.S. Cl.**
USPC **D13/147**

(58) **Field of Classification Search**
USPC D13/147, 154, 184, 199; 439/62, 260,
439/325, 329, 395, 422, 492-499

See application file for complete search history.

(56) **References Cited**

U.S. PATENT DOCUMENTS

D517,494 S *	3/2006	Ikenaga et al.	D13/147
D593,492 S *	6/2009	Peng	D13/133
D600,648 S *	9/2009	Hemmi et al.	D13/147
D630,584 S *	1/2011	Hirayama et al.	D13/147
D661,653 S *	6/2012	Nakajima et al.	D13/147

* cited by examiner

Primary Examiner — Daniel Bui

(74) *Attorney, Agent, or Firm* — Cermak Nakajima & McGowan LLP; Tomoko Nakajima

(57) **CLAIM**

The ornamental design for an electrical connector, as shown.

DESCRIPTION

FIG. 1 is a front elevational view of an electrical connector showing our new design;

FIG. 2 is a top plan view thereof;

FIG. 3 is a right side elevational view thereof;

FIG. 4 is a left side elevational view thereof;

FIG. 5 is a rear elevational view thereof; and

FIG. 6 is a bottom plan view thereof.

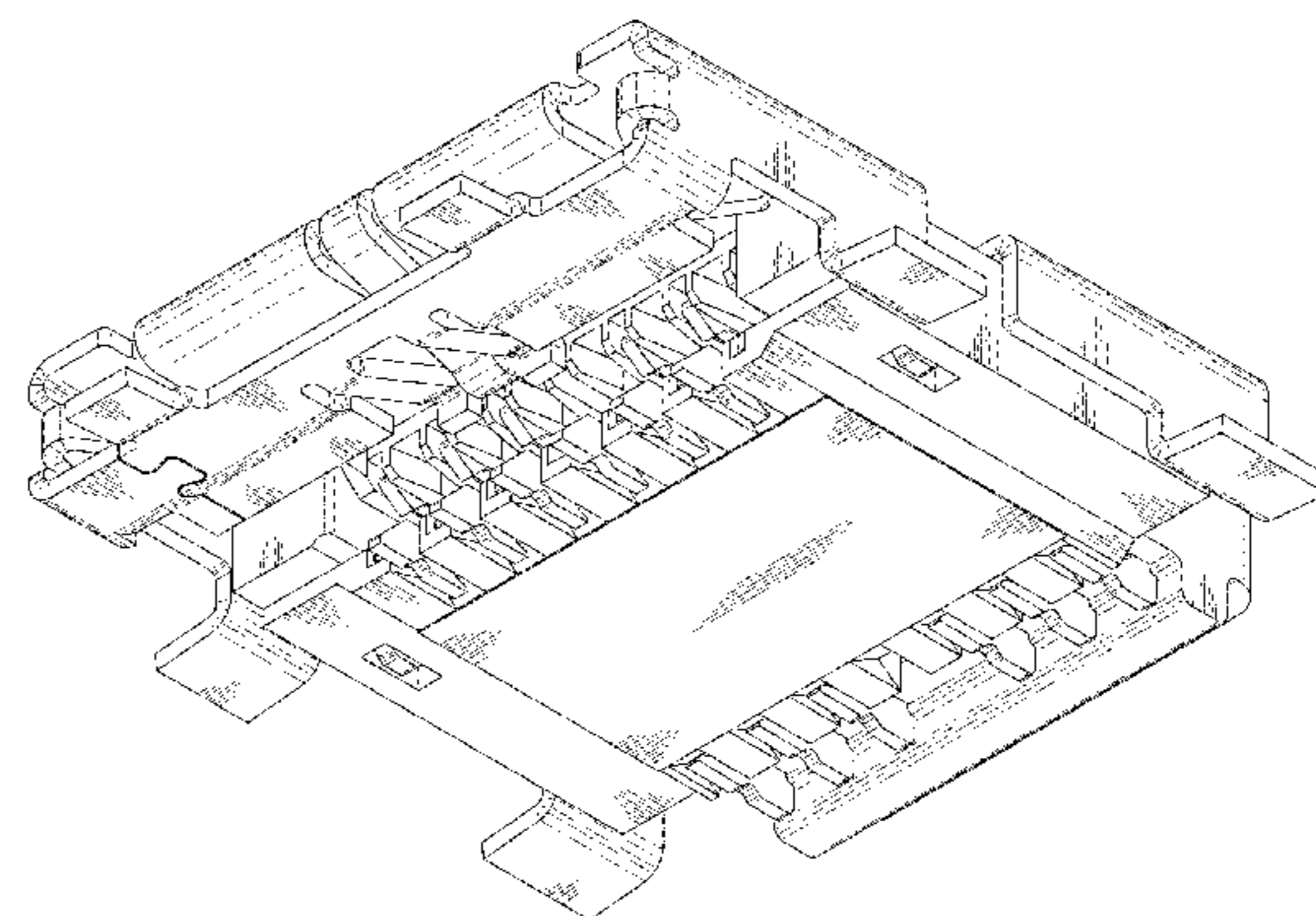
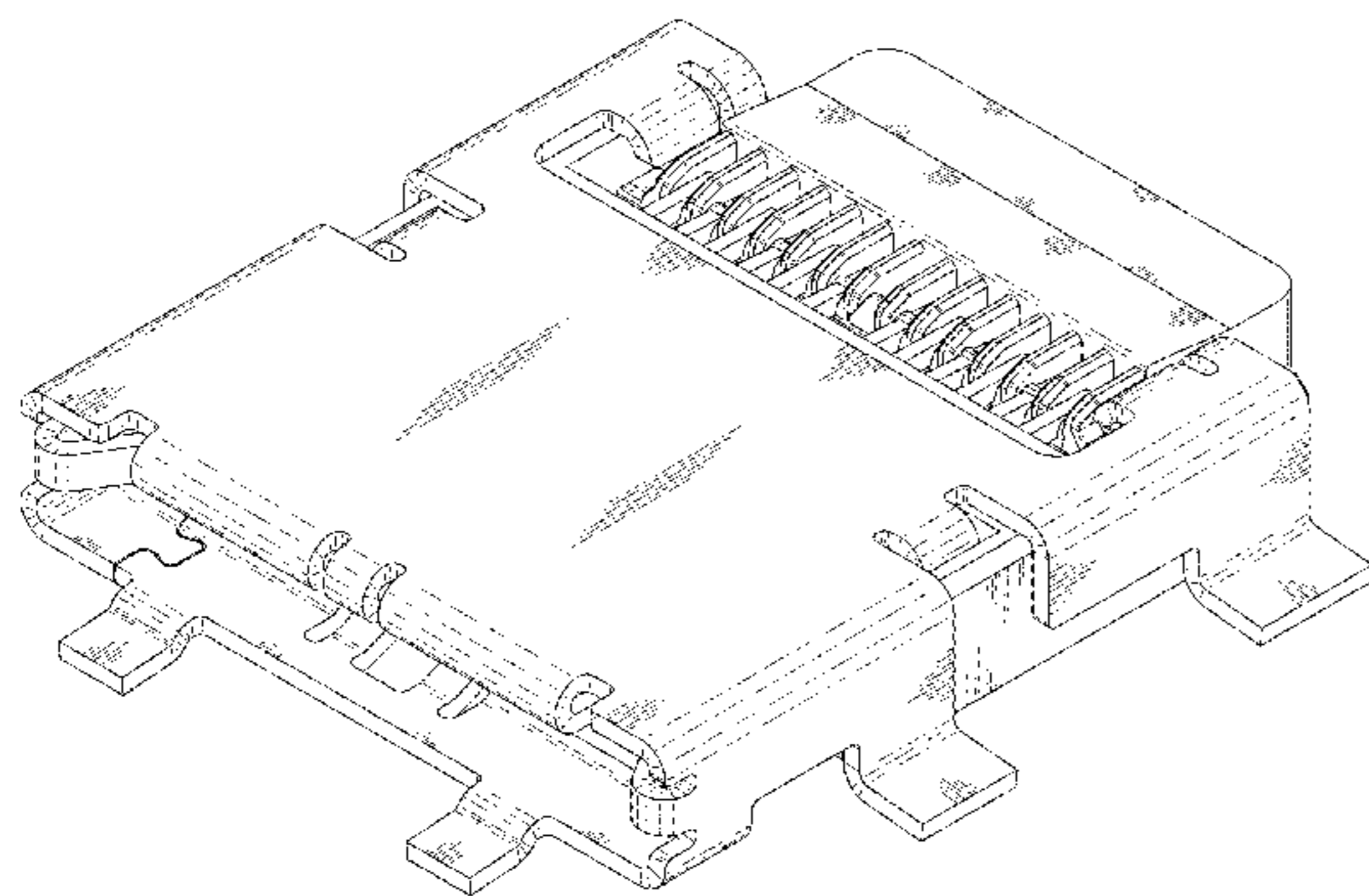
FIG. 7 is a front and top perspective view thereof;

FIG. 8 is a front and bottom perspective view thereof;

FIG. 9 is a rear and top perspective view thereof; and,

FIG. 10 is a rear and bottom perspective view thereof.

1 Claim, 10 Drawing Sheets



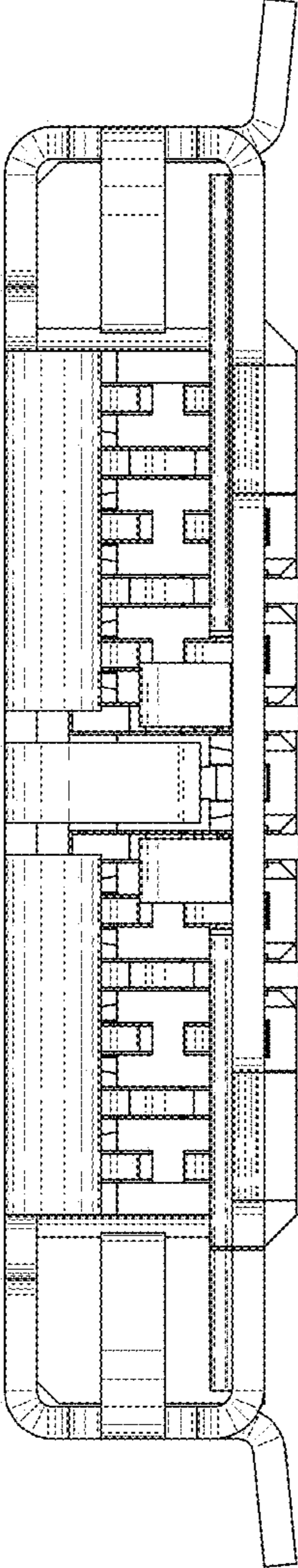


FIG.1

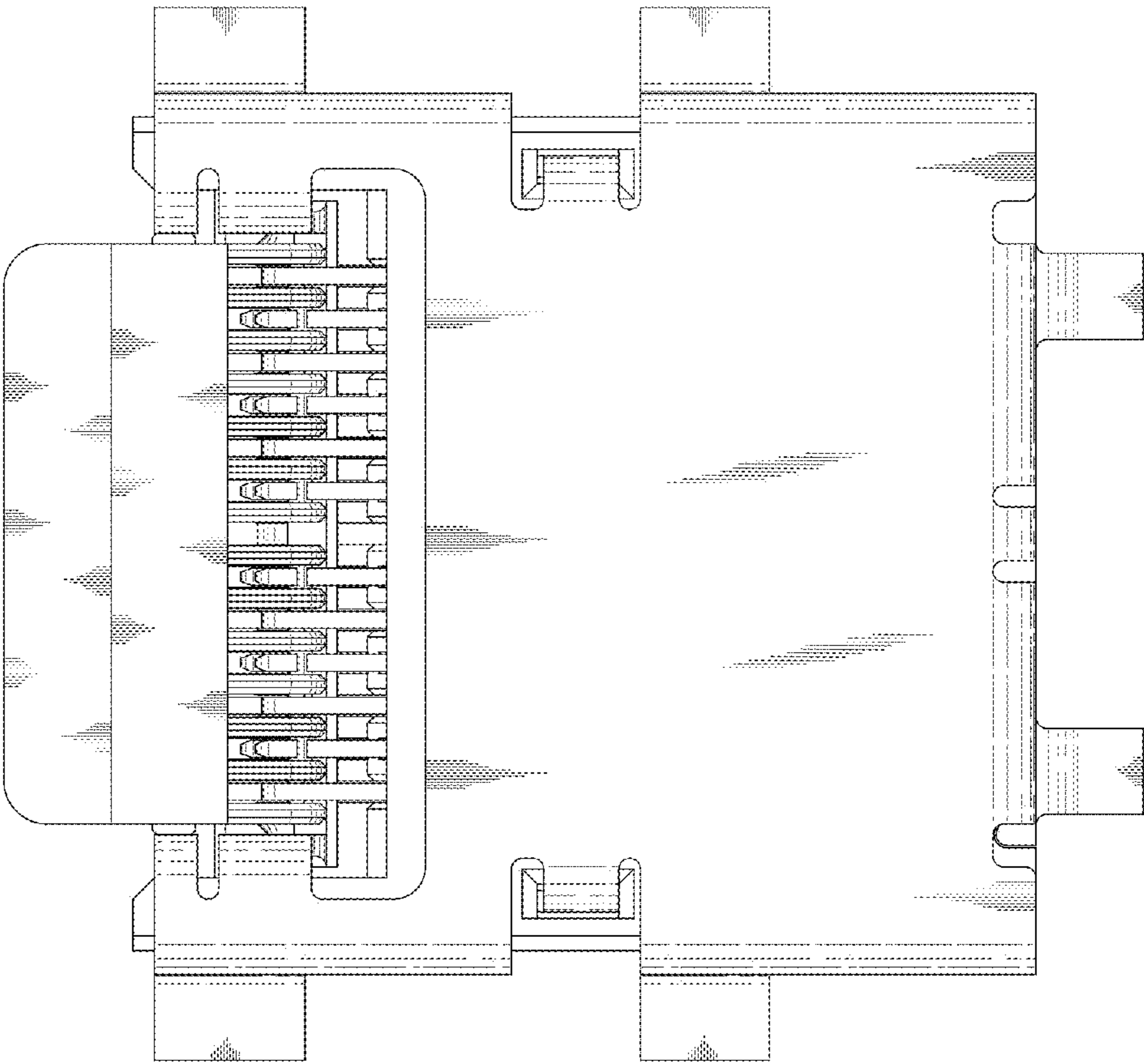


FIG.2

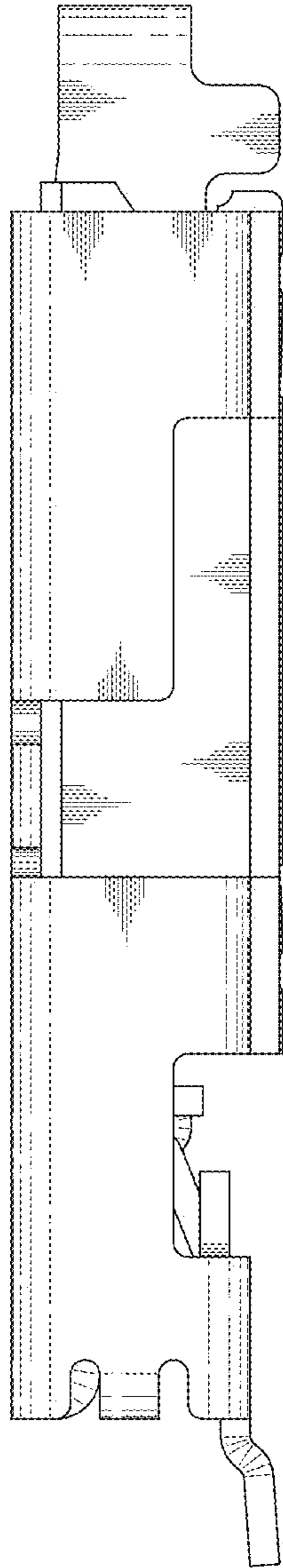


FIG.3

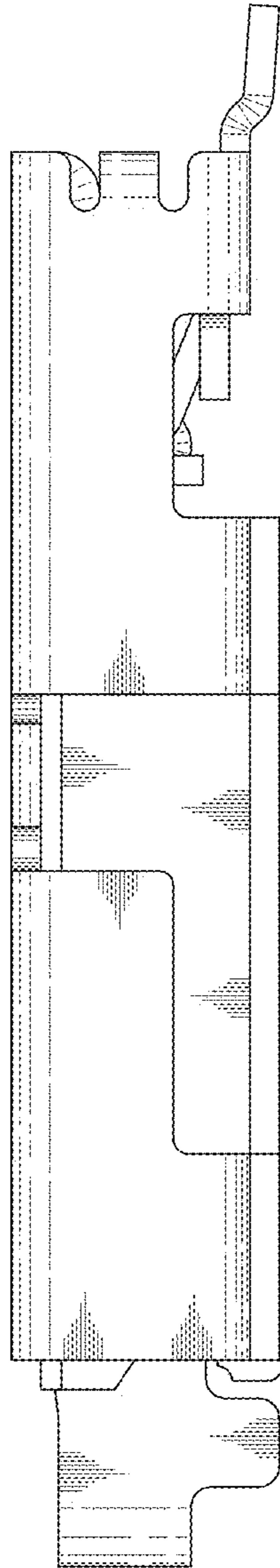


FIG.4

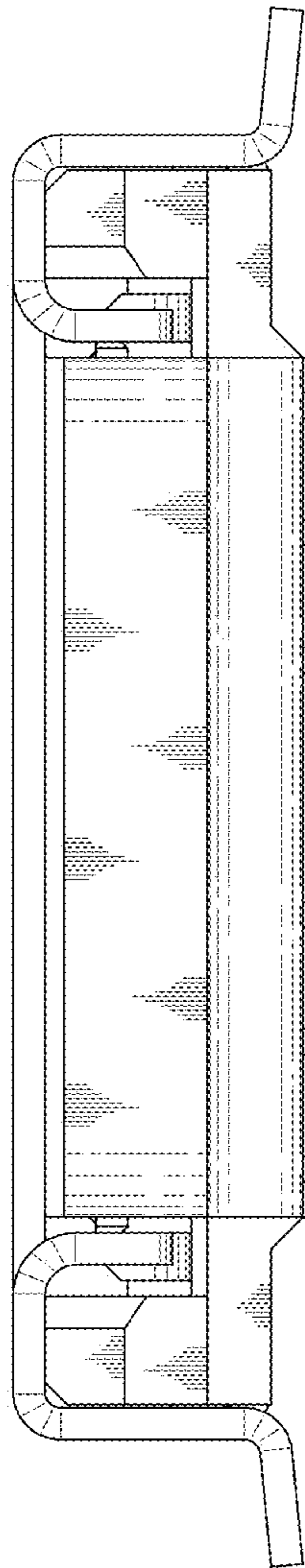


FIG. 5

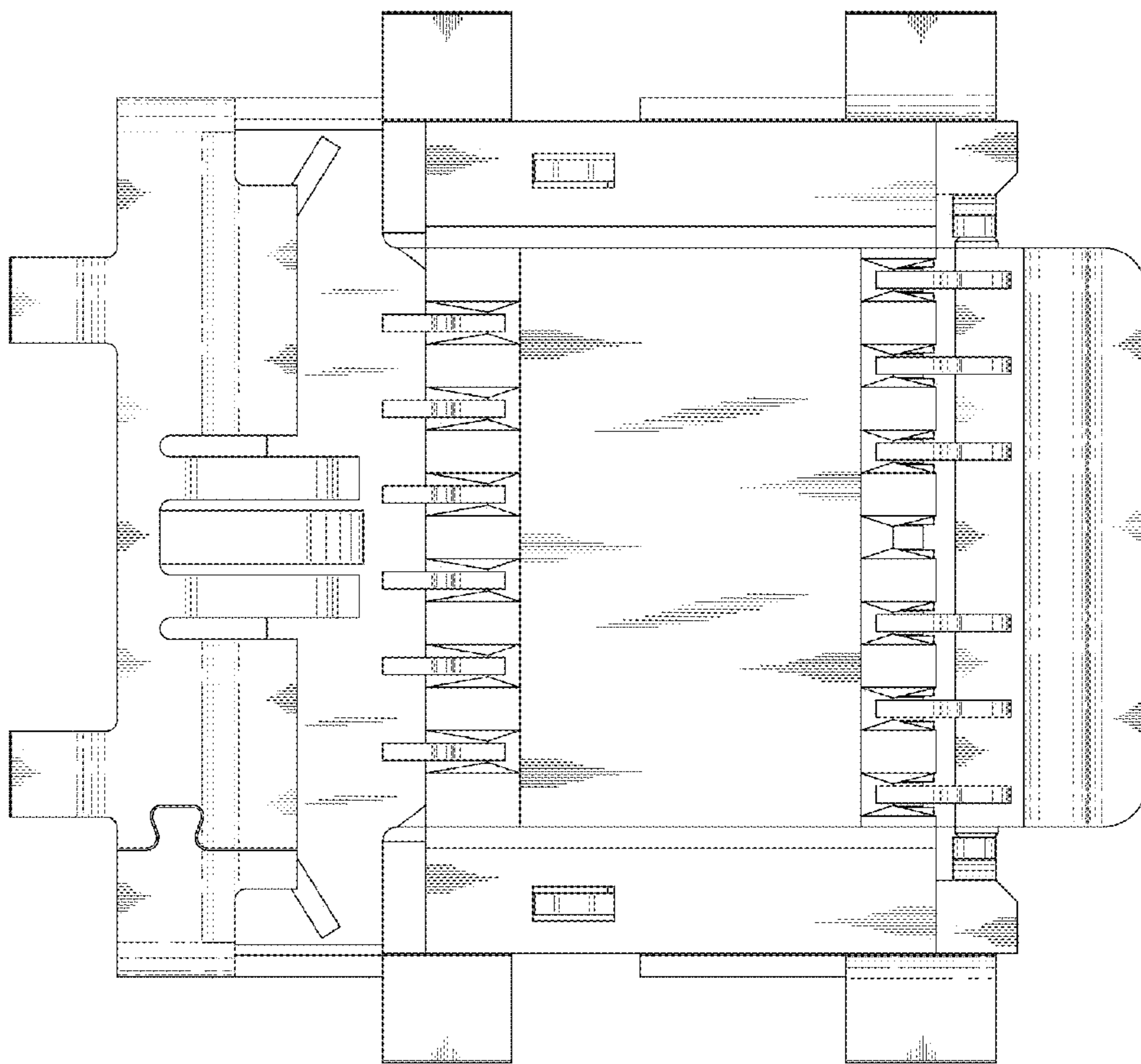


FIG.6

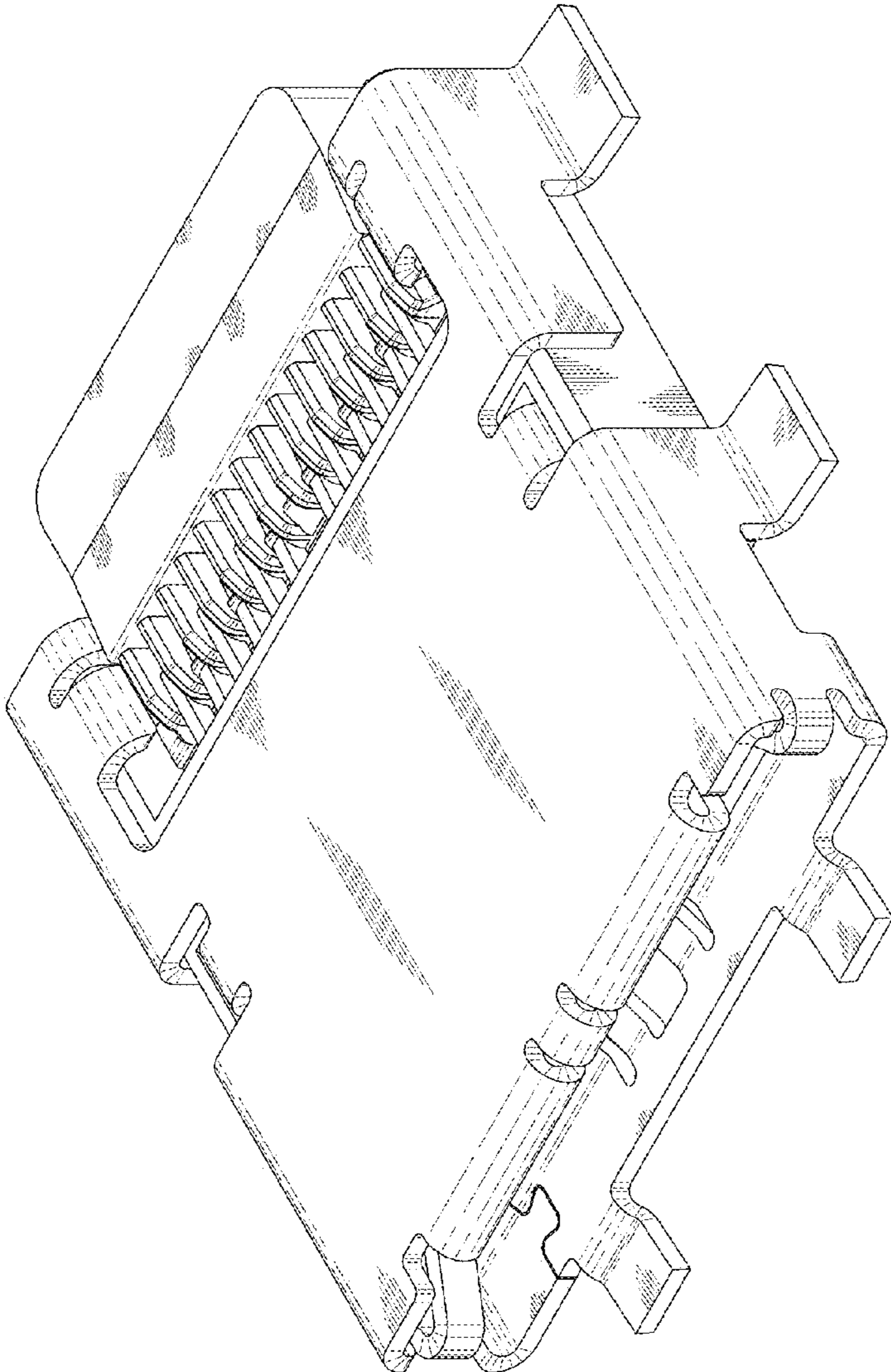


FIG.7

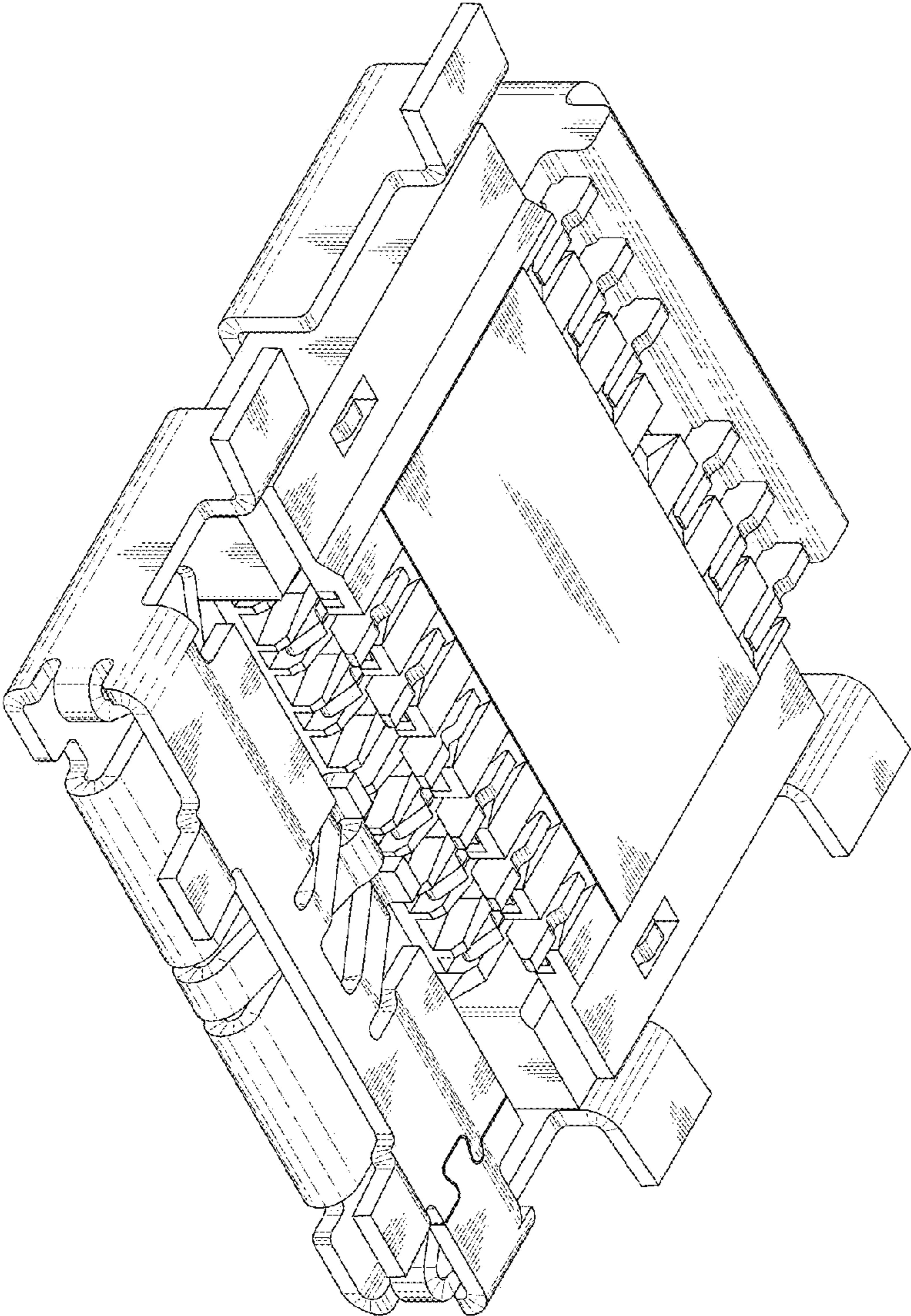


FIG.8

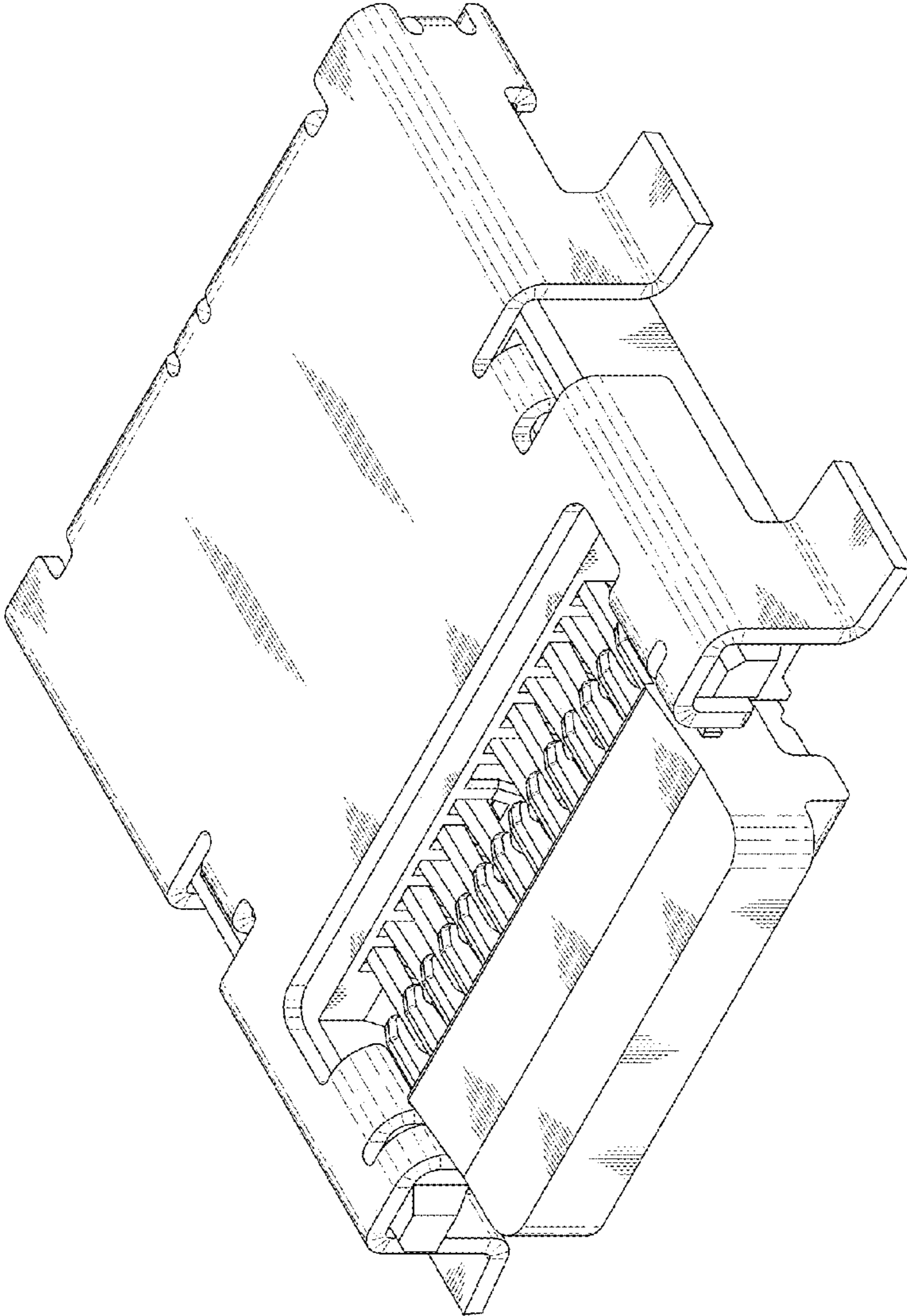


FIG.9

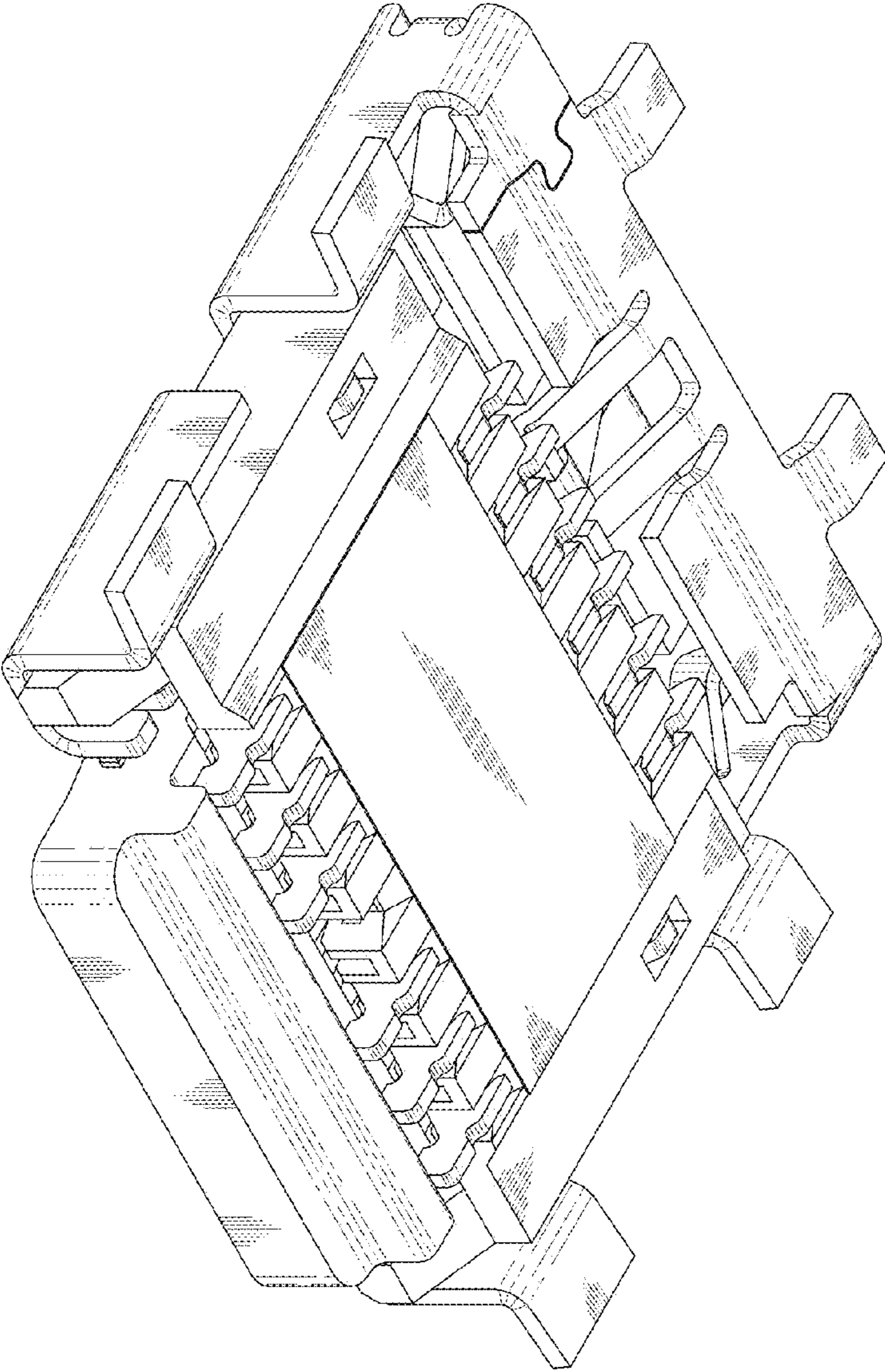


FIG.10