



US00D719510S

(12) **United States Design Patent**
Selse

(10) **Patent No.:** **US D719,510 S**

(45) **Date of Patent:** **** Dec. 16, 2014**

(54) **ELECTRICAL CONNECTOR**

(56) **References Cited**

(71) Applicant: **Phoenix Contact GmbH & Co. KG,**
Blomberg (DE)

(72) Inventor: **Andre Selse,** Detmold (DE)

(73) Assignee: **Phoenix Contact GmbH & Co. KG,**
Blomberg (DE)

(**) Term: **14 Years**

(21) Appl. No.: **29/439,386**

(22) Filed: **Dec. 11, 2012**

(30) **Foreign Application Priority Data**

Jun. 12, 2012 (EM) 002056028

(51) **LOC (10) Cl.** **13-03**

(52) **U.S. Cl.**
USPC **D13/133**

(58) **Field of Classification Search**
USPC D13/133, 146, 147, 154, 184, 199;
439/64, 79, 159, 160, 629, 630, 660;
D14/433, 435, 436, 438

See application file for complete search history.

U.S. PATENT DOCUMENTS

D320,003	S	*	9/1991	Komatsu	D13/147
D593,492	S	*	6/2009	Peng	D13/133
D607,825	S	*	1/2010	Hirakawa	D13/147
D627,726	S	*	11/2010	Chaillet et al.	D13/133
D641,700	S	*	7/2011	Ohkuma	D13/133
D641,701	S	*	7/2011	Ohkuma	D13/133

* cited by examiner

Primary Examiner — Thomas Johannes

Assistant Examiner — Khawaja Anwar

(74) *Attorney, Agent, or Firm* — Leydig, Voit & Mayer, Ltd.

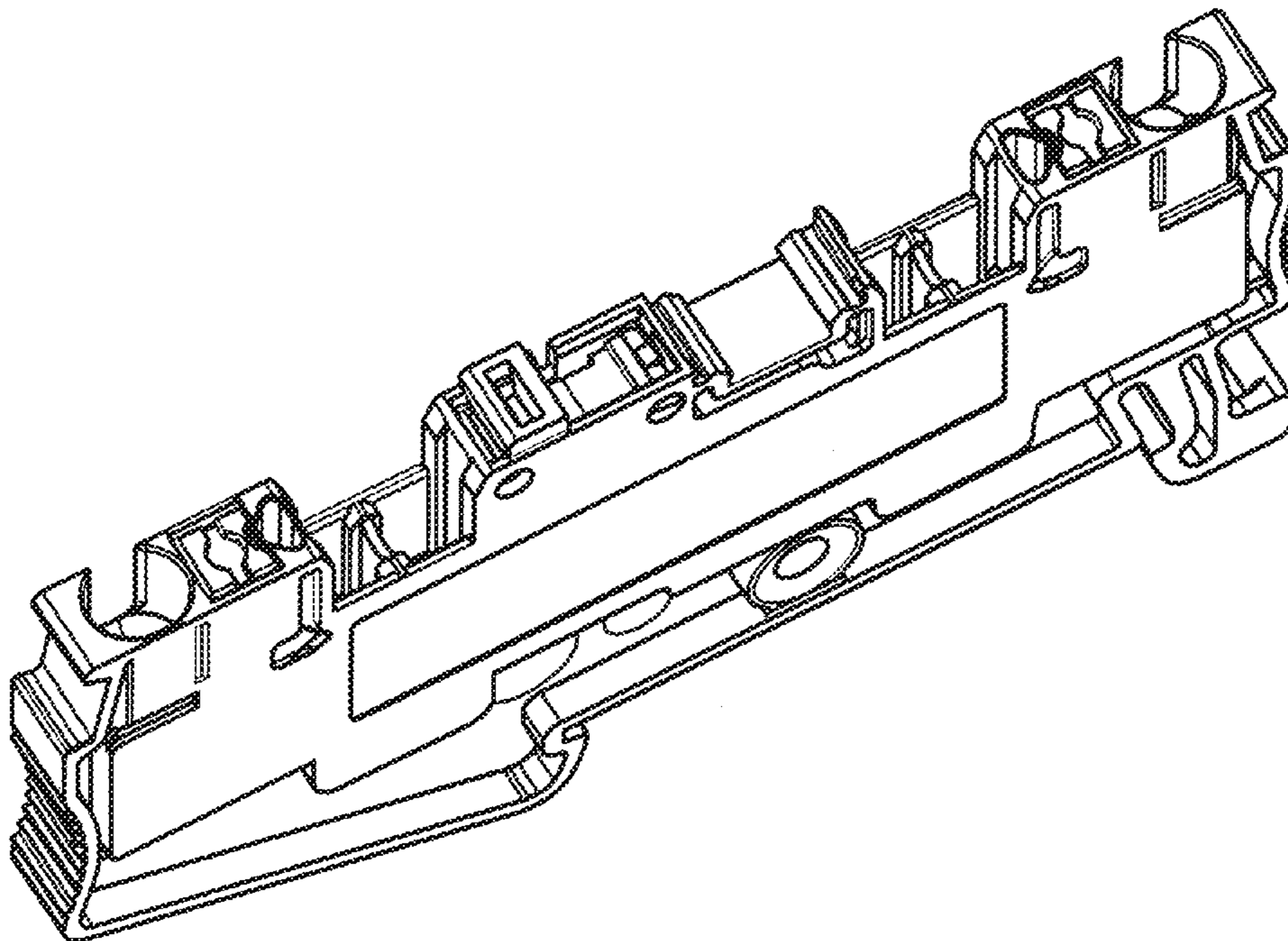
(57) **CLAIM**

The ornamental design for an electrical connector, as shown and described.

DESCRIPTION

FIG. 1 is a front-left side elevational view of the electrical connector showing my new design; FIG. 2 is a left side plan view thereof; FIG. 3 is a rear plan view thereof; FIG. 4 is a right side plan view thereof; FIG. 5 is a front plan view thereof; FIG. 6 is a top plan view thereof; and, FIG. 7 is a bottom plan view thereof. The broken lines in the drawings show unclaimed environment only and form no part of the claimed design.

1 Claim, 7 Drawing Sheets



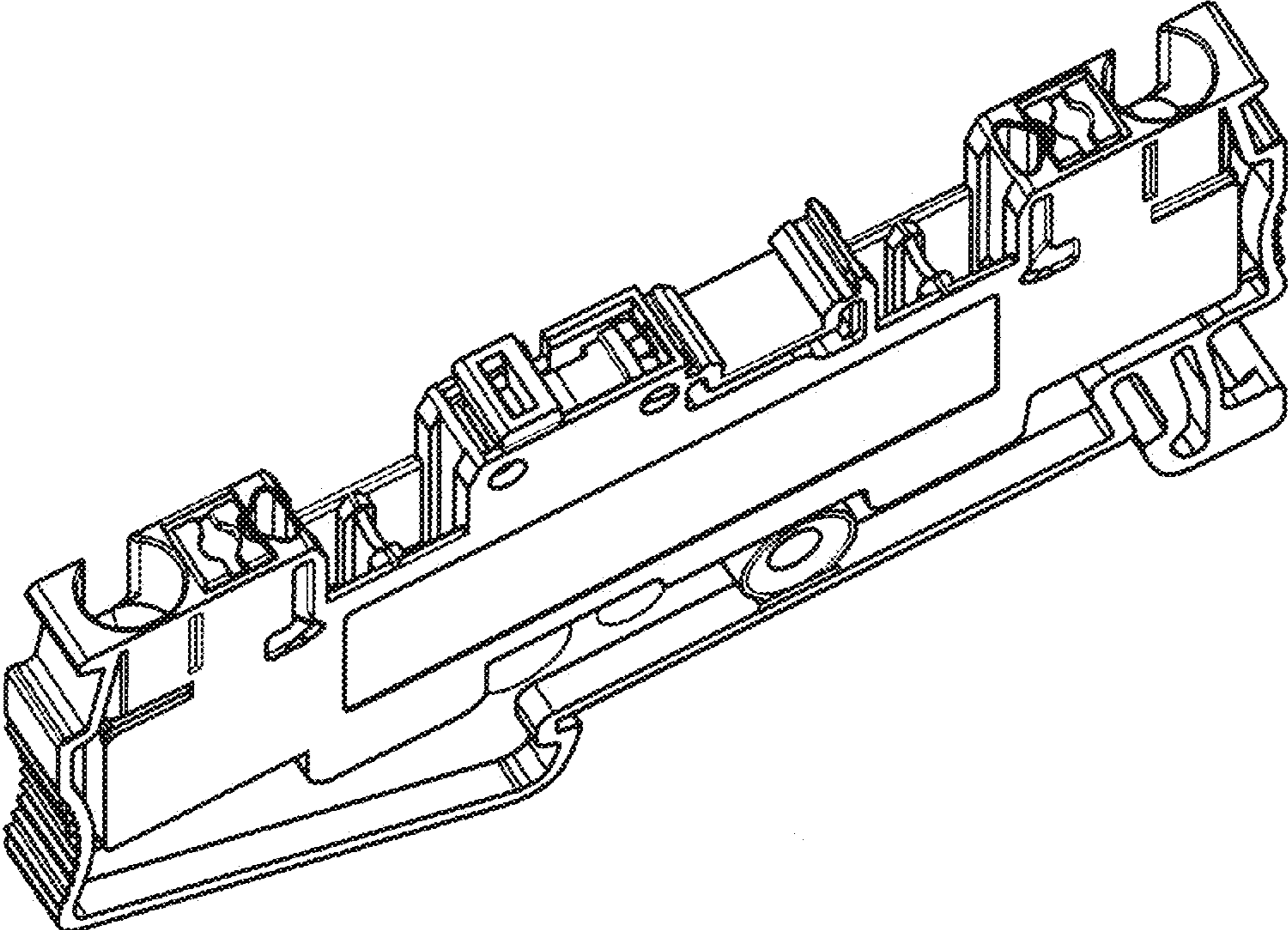


FIG. 1

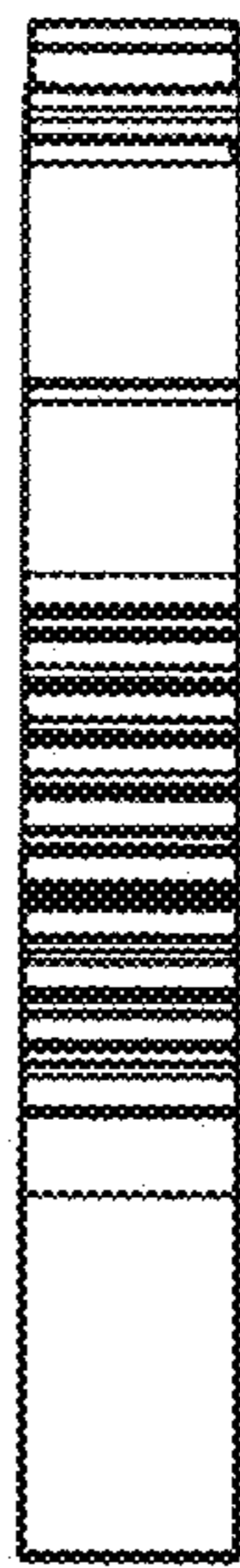


FIG. 2

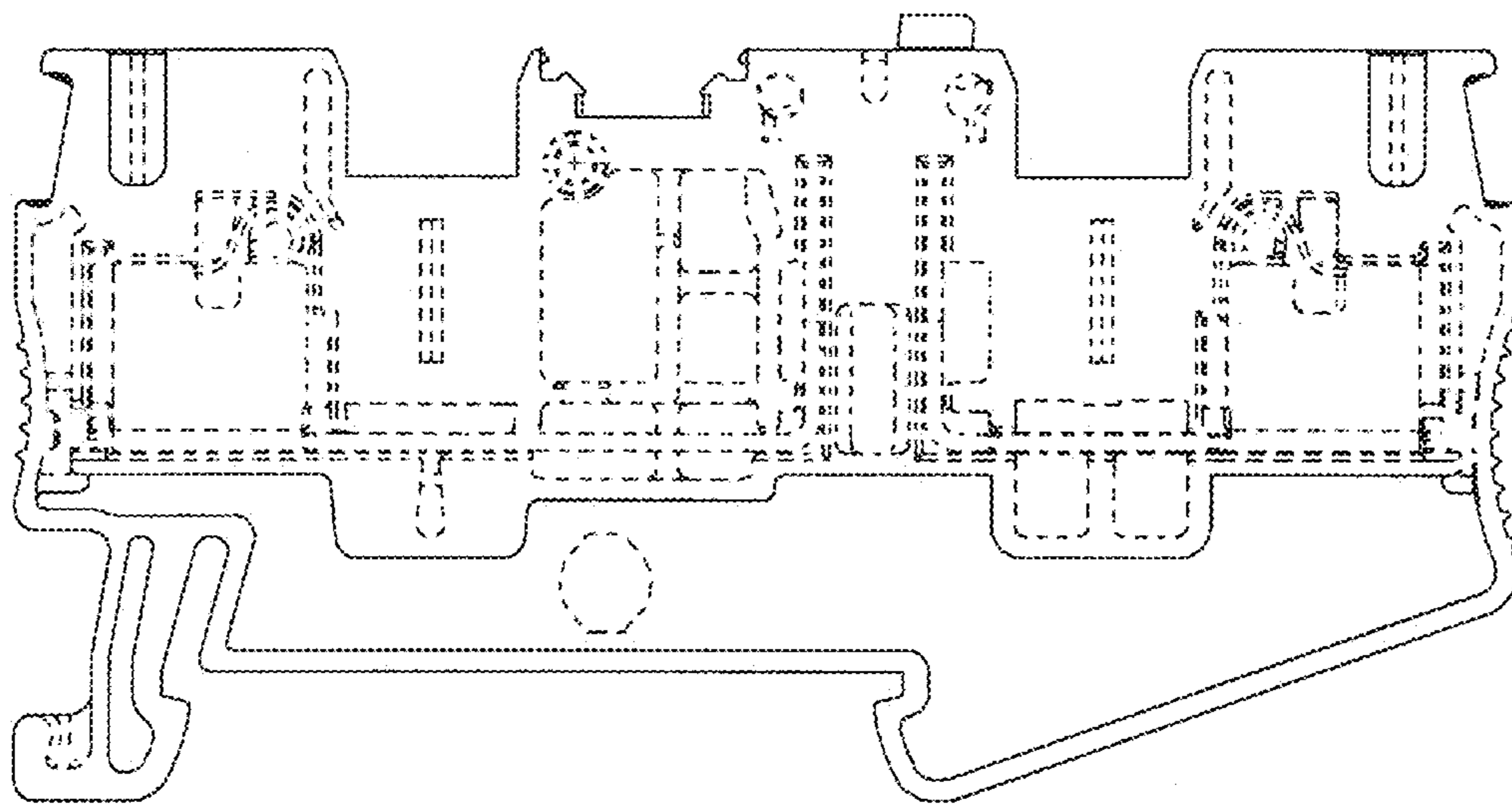


FIG. 3

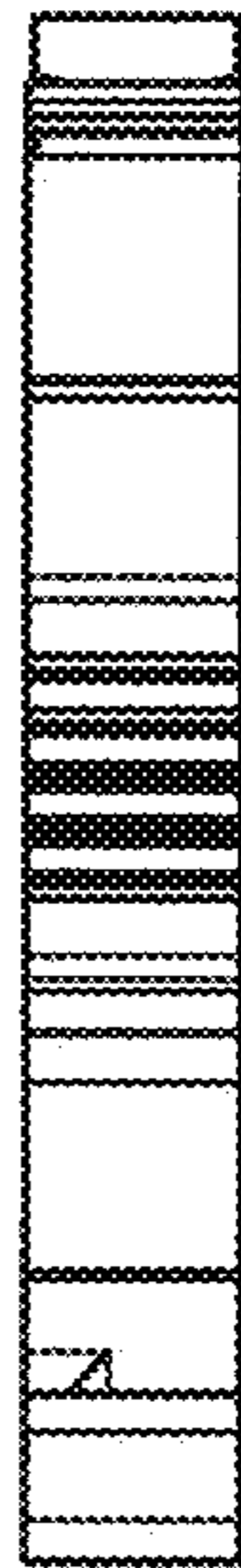


FIG. 4

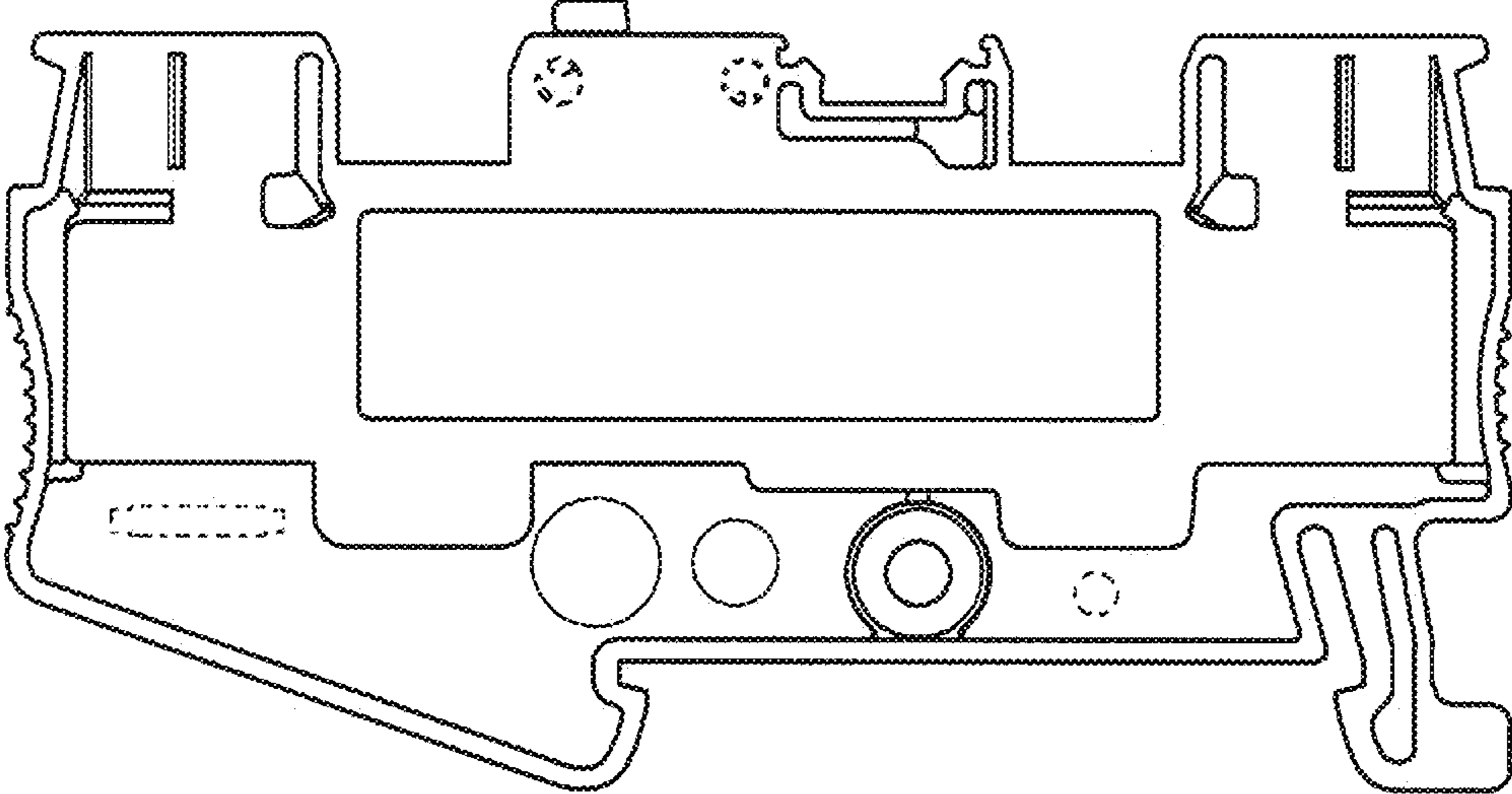


FIG. 5

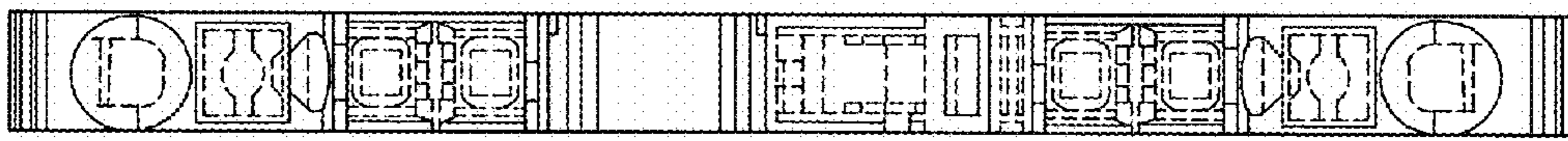


FIG. 6



FIG. 7