



US00D719509S

(12) **United States Design Patent**
Shishikura et al.

(10) **Patent No.:** **US D719,509 S**

(45) **Date of Patent:** **** Dec. 16, 2014**

(54) **INDUCTOR**

(75) Inventors: **Hiroshi Shishikura**, Tsurugashima (JP);
Masaaki Totsuka, Tsurugashima (JP);
Kunio Sasamori, Tsurugashima (JP)

(73) Assignee: **Toko, Inc.**, Tsurugashima-shi, Saitama
(JP)

(**) Term: **14 Years**

(21) Appl. No.: **29/425,678**

(22) Filed: **Jun. 26, 2012**

(30) **Foreign Application Priority Data**

Dec. 28, 2011	(JP)	2011-030449
Dec. 28, 2011	(JP)	2011-030453
Dec. 28, 2011	(JP)	2011-030455
Mar. 23, 2012	(JP)	2012-006544

(51) **LOC (10) Cl.** **13-03**

(52) **U.S. Cl.**
USPC **D13/117**

(58) **Field of Classification Search**
USPC D13/117, 182, 184, 199; 336/15, 65,
336/83, 98, 192, 210, 222, 229

See application file for complete search history.

(56) **References Cited**

U.S. PATENT DOCUMENTS

5,751,204	A *	5/1998	Chen	336/98
D471,166	S *	3/2003	Oshio et al.	D13/182
D489,338	S *	5/2004	Seddon et al.	D13/182
6,914,506	B2 *	7/2005	Gallup et al.	336/83
D586,767	S *	2/2009	Guerrero et al.	D13/182
D594,820	S *	6/2009	Furuya	D13/117
7,940,153	B2 *	5/2011	Watanabe	336/192
8,310,332	B2 *	11/2012	Yan et al.	336/221
2002/0113680	A1 *	8/2002	Kato et al.	336/83
2014/0062636	A1 *	3/2014	Yang et al.	336/83

* cited by examiner

Primary Examiner — Thomas Johannes

Assistant Examiner — Khawaja Anwar

(74) *Attorney, Agent, or Firm* — RatnerPrestia

(57) **CLAIM**

The ornamental design for an inductor, as shown and described.

DESCRIPTION

FIG. 1 is a perspective view of the front, top and right side of an inductor, showing our new design;

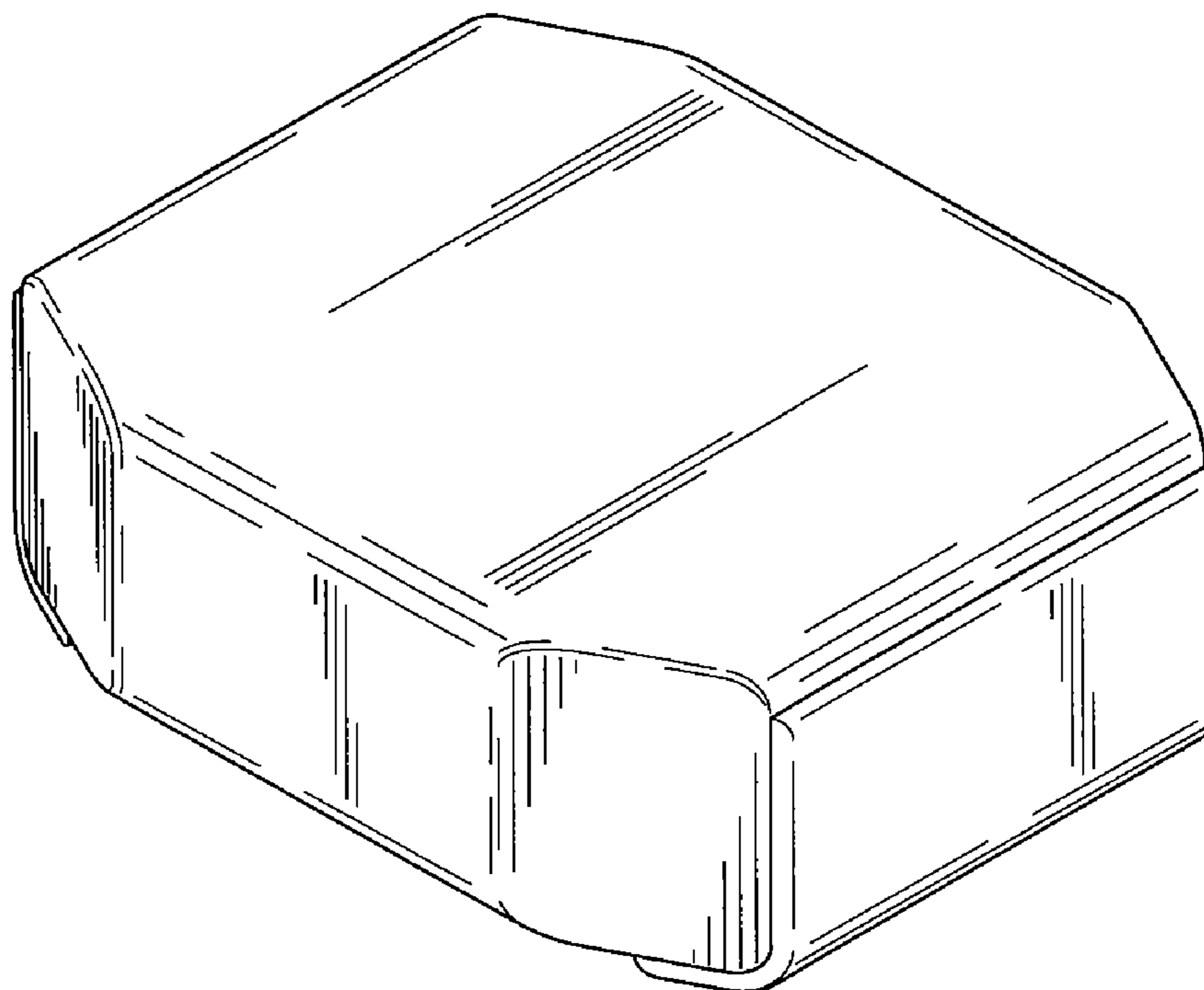
FIG. 2 is a front view thereof, a rear view being a mirror image thereto;

FIG. 3 is a right side view thereof, a left side view being mirror image thereto;

FIG. 4 is a top view thereof; and,

FIG. 5 is a bottom view thereof.

1 Claim, 3 Drawing Sheets



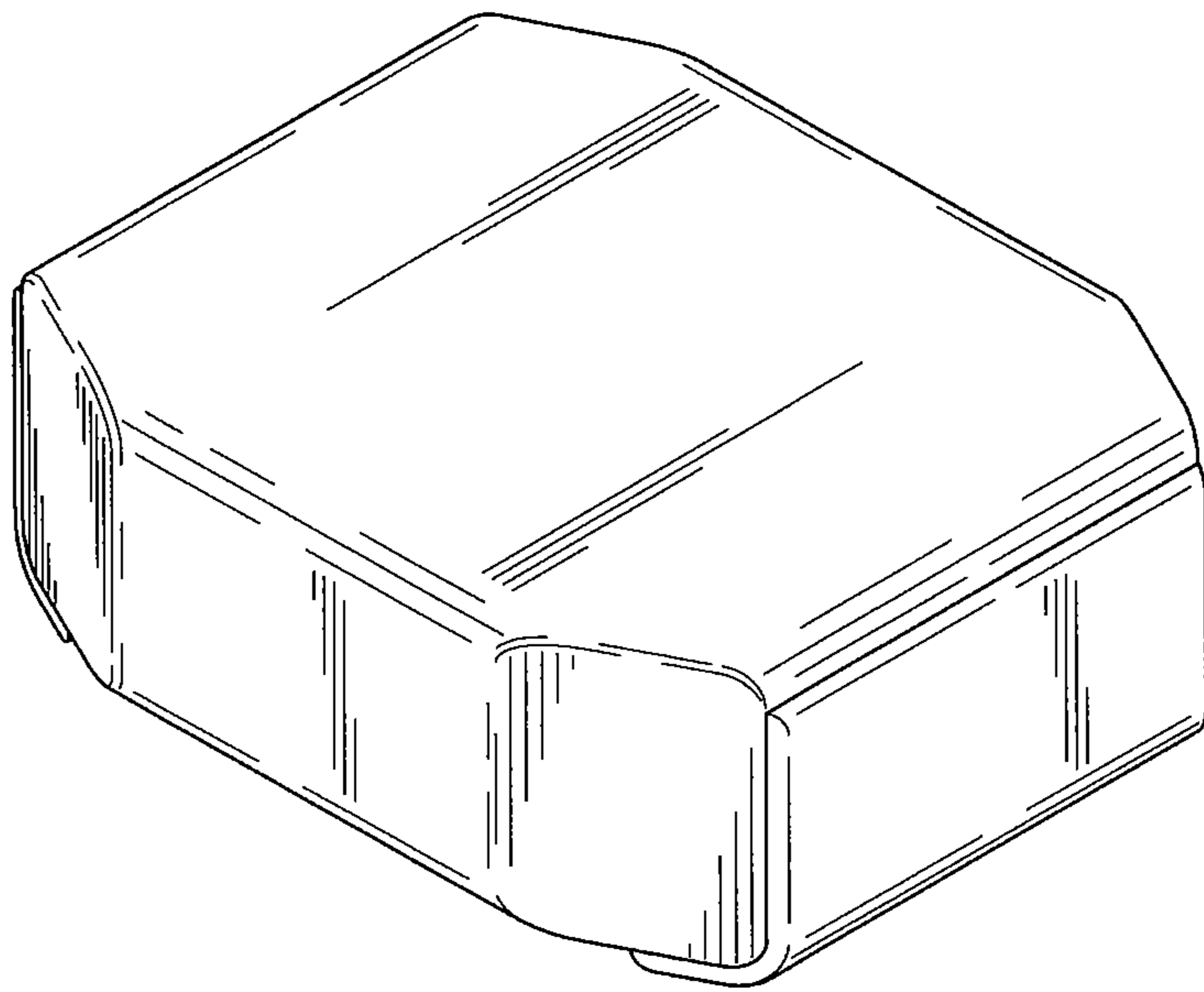


FIG. 1

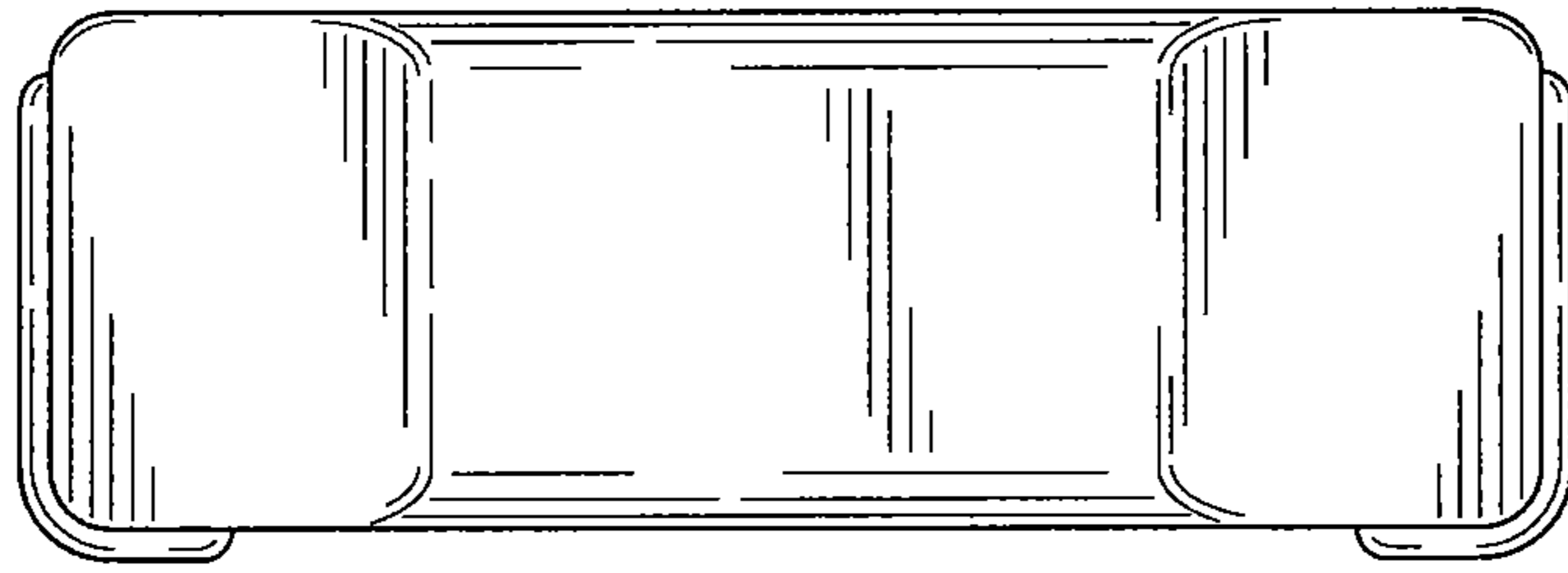


FIG. 2

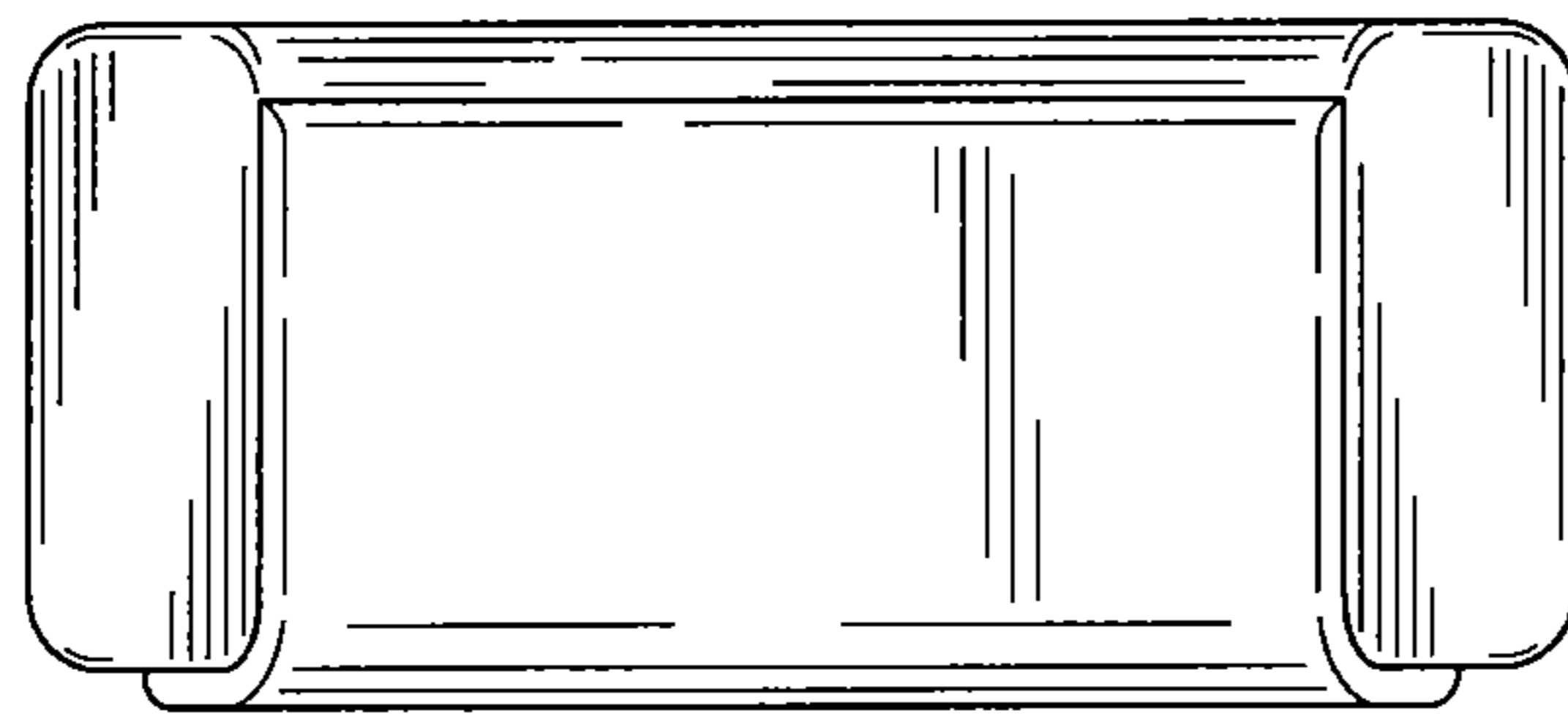


FIG. 3

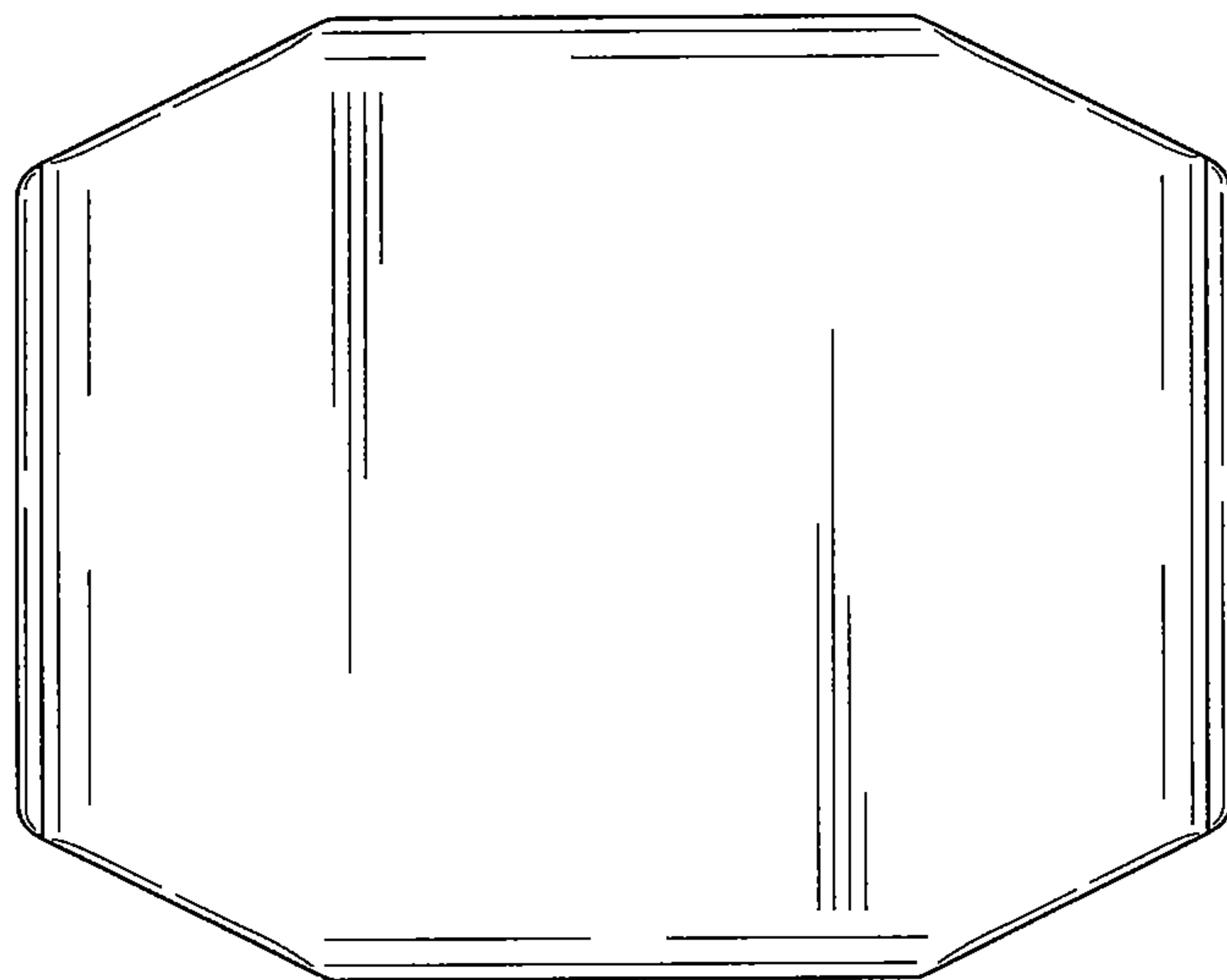


FIG. 4

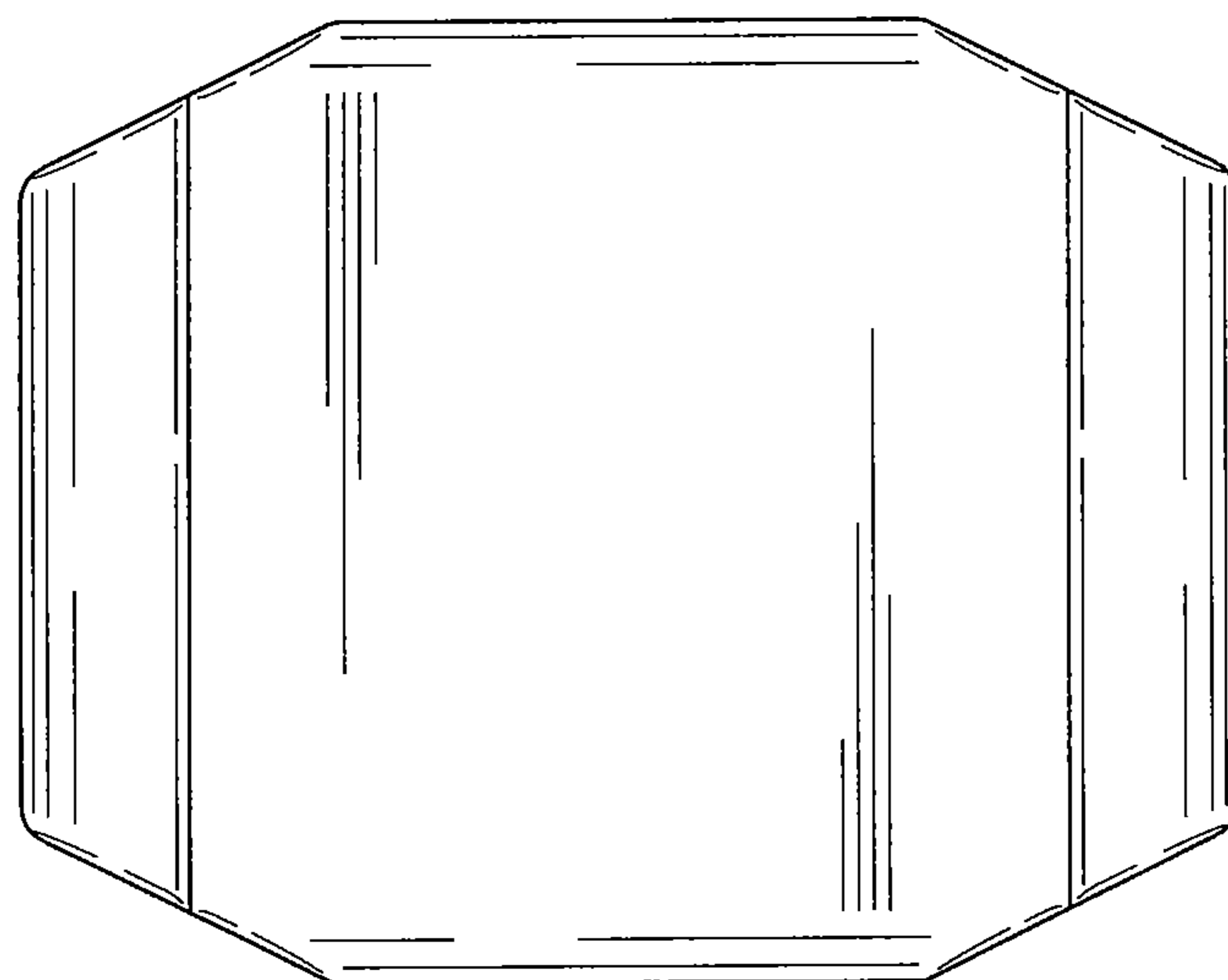


FIG. 5