



US00D719508S

(12) **United States Design Patent**
Byrne et al.

(10) **Patent No.:** **US D719,508 S**

(45) **Date of Patent:** **** Dec. 16, 2014**

(54) **ELECTRICAL POWER UNIT**

(71) Applicants: **Norman R. Byrne**, Ada, MI (US);
Christa R. Anderson, Walker, MI (US);
Randell E. Pate, Jenison, MI (US)

(72) Inventors: **Norman R. Byrne**, Ada, MI (US);
Christa R. Anderson, Walker, MI (US);
Randell E. Pate, Jenison, MI (US)

(**) Term: **14 Years**

(21) Appl. No.: **29/488,224**

(22) Filed: **Apr. 17, 2014**

(51) **LOC (10) Cl.** **13-02**

(52) **U.S. Cl.**
USPC **D13/110**

(58) **Field of Classification Search**
USPC D13/110, 107, 108, 123, 133, 137.1,
D13/137.2, 137.4, 139.6, 139.7, 139.8, 199;
174/53, 54, 59, 61; 307/150, 151;
320/111, 114; 363/140, 142, 143, 146;
439/105, 107, 166, 171-173, 218, 518,
439/650-652, 692, 956; 200/51 R, 51.04,
200/51.06, 51.16; 361/166

See application file for complete search history.

(56) **References Cited**

U.S. PATENT DOCUMENTS

| | | | | | | |
|-----------|----|---|--------|----------------|-------|-----------|
| D339,323 | S | * | 9/1993 | Burgher et al. | | D13/110 |
| 5,660,554 | A | * | 8/1997 | Mead | | 439/172 |
| 5,949,640 | A | * | 9/1999 | Cameron et al. | | 361/600 |
| 6,227,888 | B1 | * | 5/2001 | Hahn | | 439/173 |
| D561,094 | S | * | 2/2008 | Sween et al. | | D13/110 |
| D564,965 | S | * | 3/2008 | Martinez | | D13/137.2 |

| | | | | | | |
|----------|---|---|---------|-----------------|-------|---------|
| D570,772 | S | * | 6/2008 | Mahaffey et al. | | D13/110 |
| D627,719 | S | * | 11/2010 | DuMelle et al. | | D13/110 |
| D660,797 | S | * | 5/2012 | Wu | | D13/110 |

* cited by examiner

Primary Examiner — Derrick Holland

(74) *Attorney, Agent, or Firm* — Gardner, Linn, Burkhardt & Flory, LLP

(57) **CLAIM**

The ornamental design for a electrical power unit, as shown and described.

DESCRIPTION

FIG. 1 is a top-front perspective view of an electrical power unit showing our new design;

FIG. 2 is a bottom-front perspective view of the electrical power unit of FIG. 1;

FIG. 3 is a top-rear perspective view of the electrical power unit of FIG. 1;

FIG. 4 is a bottom-rear perspective view of the electrical power unit of FIG. 1;

FIG. 5 is a top plan view of the electrical power unit of FIG. 1;

FIG. 6 is a bottom plan view of the electrical power unit of FIG. 1;

FIG. 7 is a front elevation of the electrical power unit of FIG. 1;

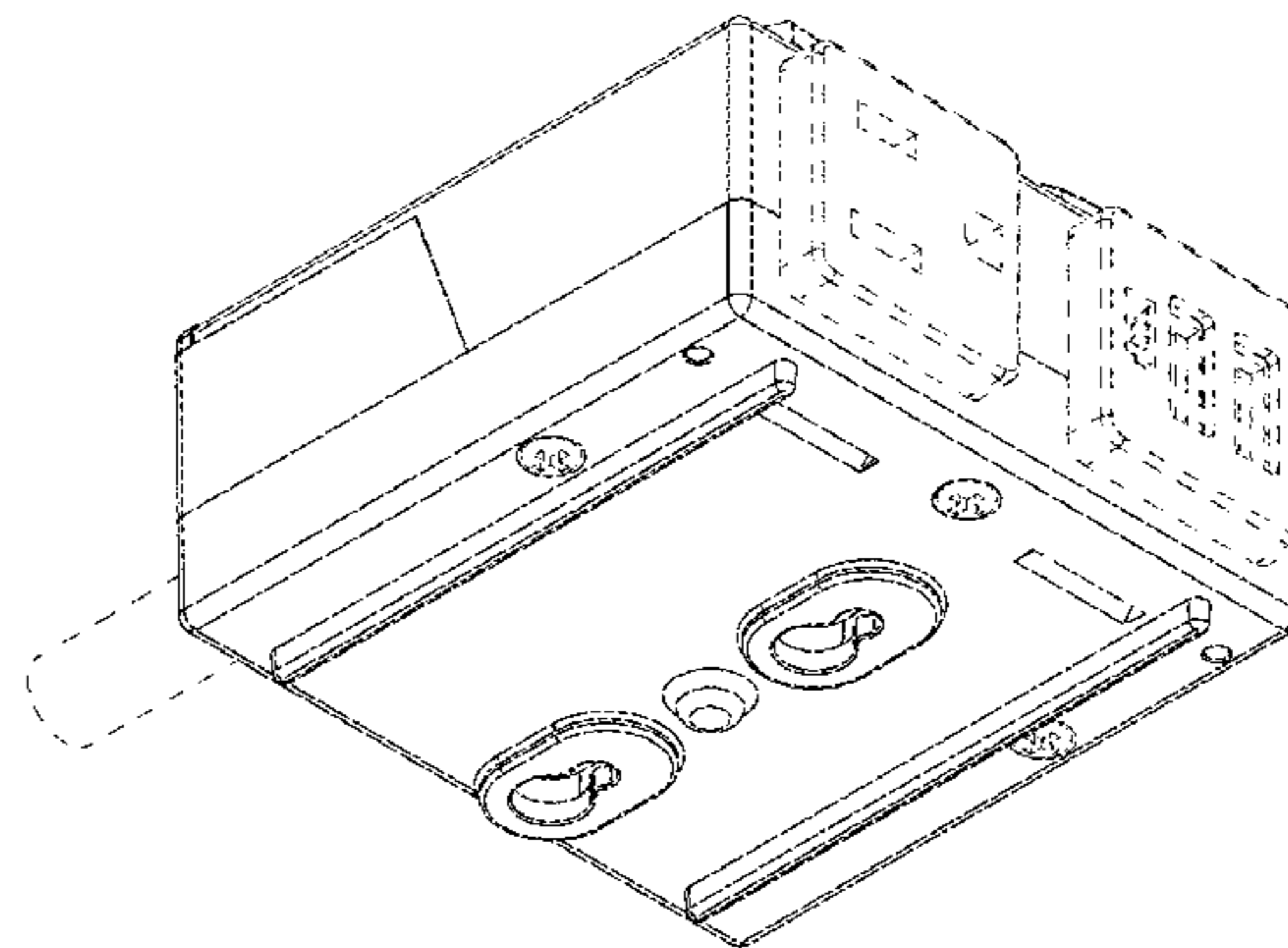
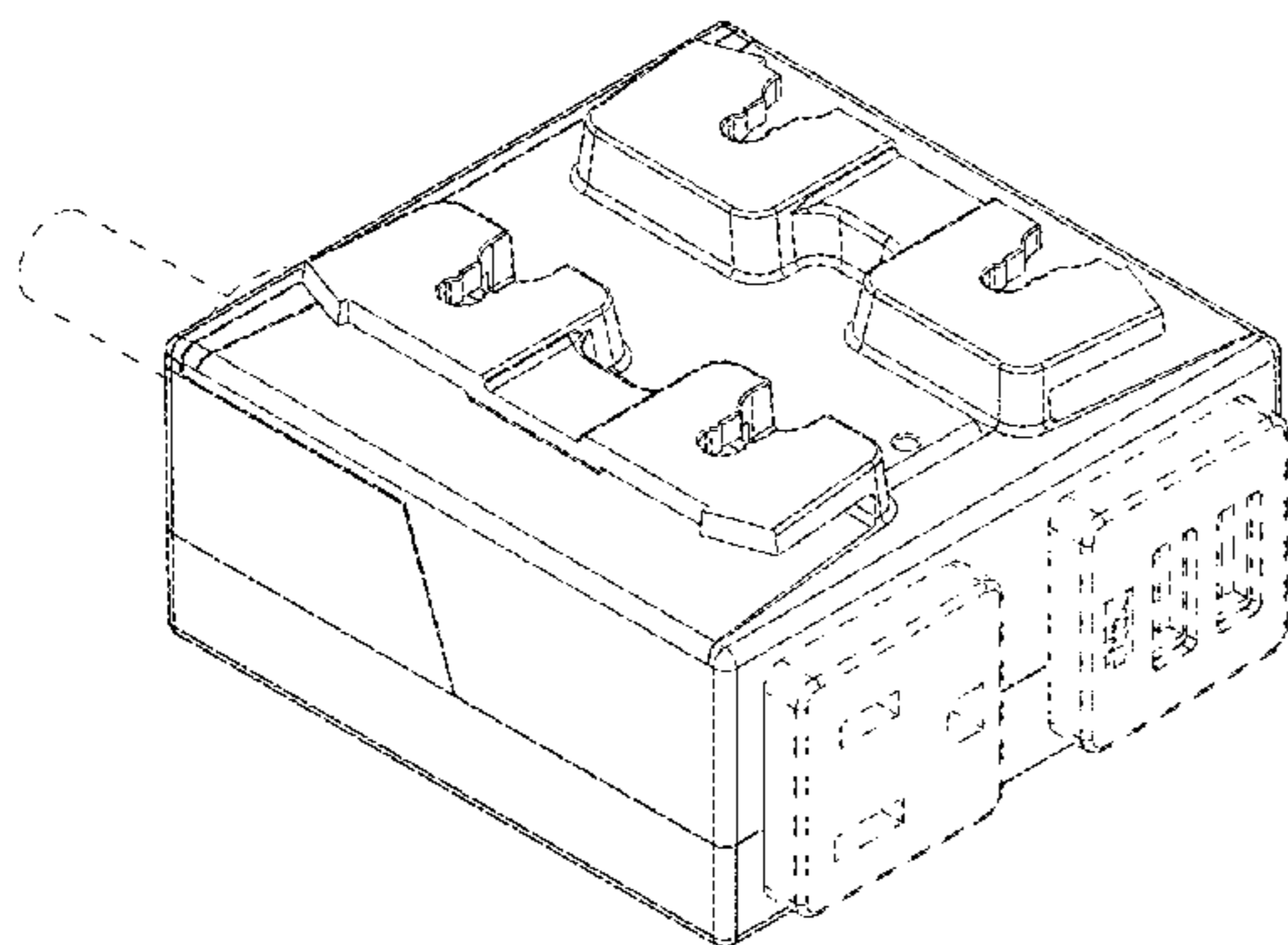
FIG. 8 is a rear elevation of the electrical power unit of FIG. 1;

FIG. 9 is a right side elevation of the electrical power unit of FIG. 1; and,

FIG. 8 is a left side elevation of the electrical power unit of FIG. 1.

In the drawings, the broken lines depict environmental subject matter only and form no part of the claimed design.

1 Claim, 6 Drawing Sheets



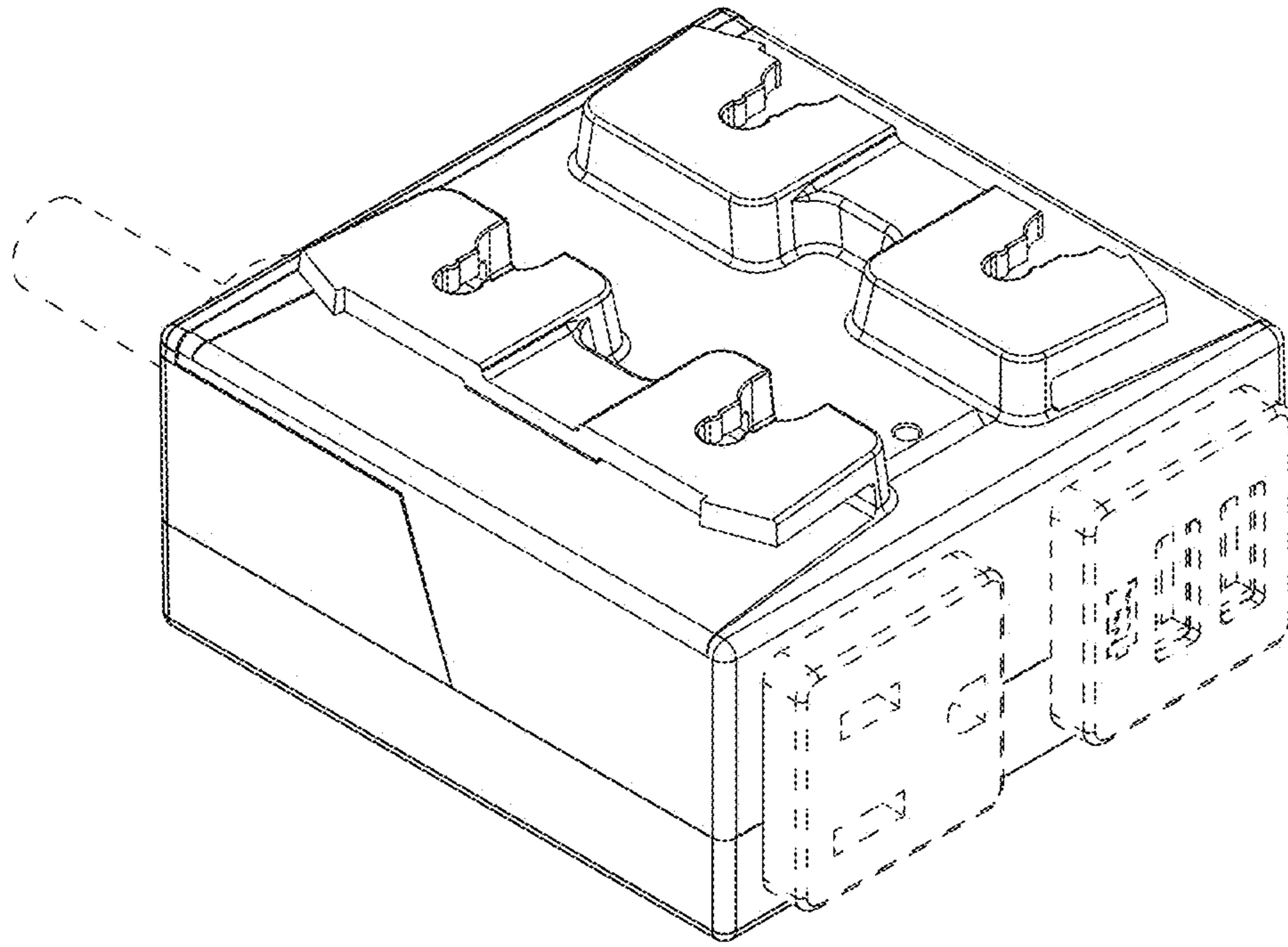


Fig. 1

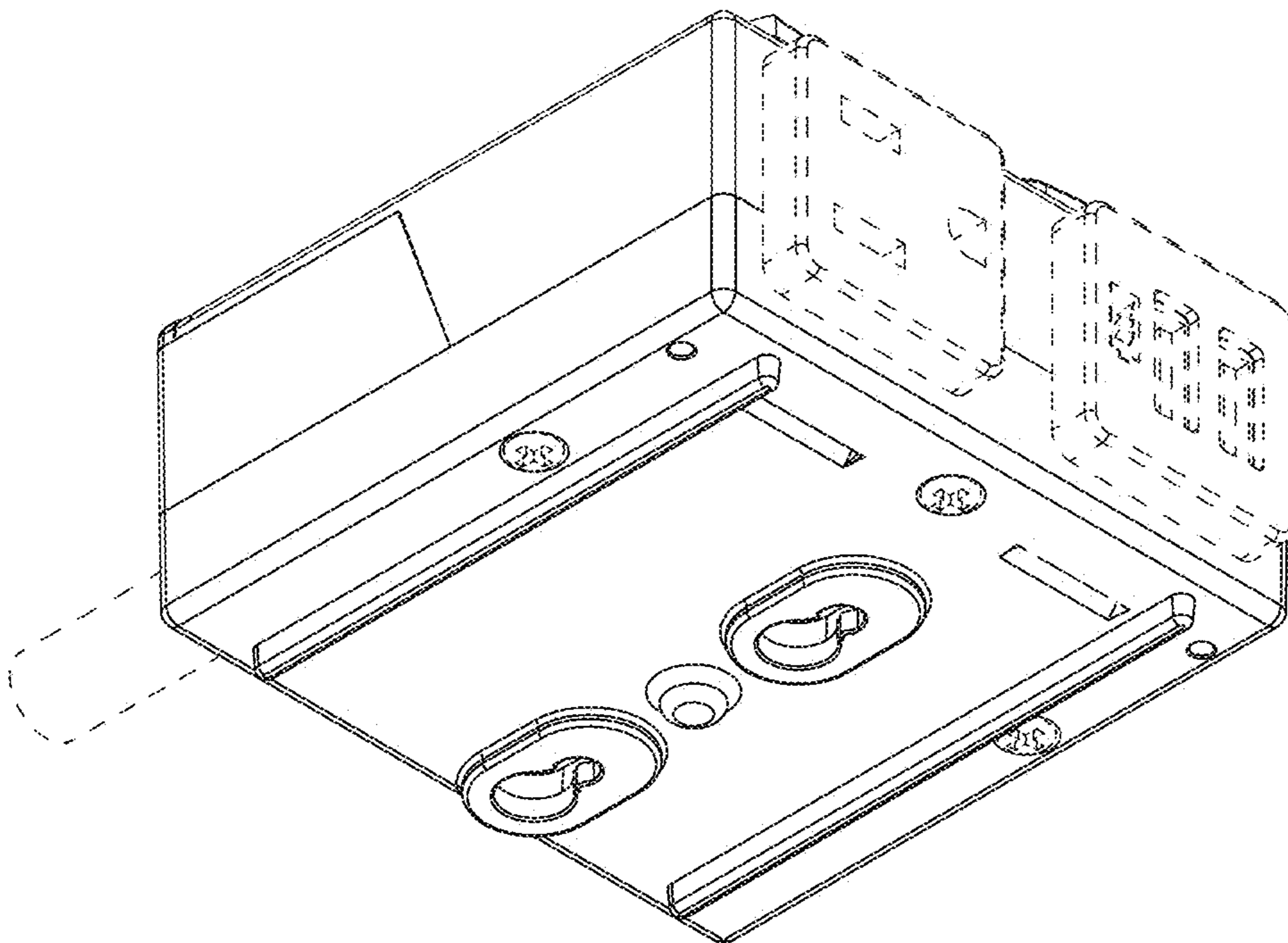


Fig. 2

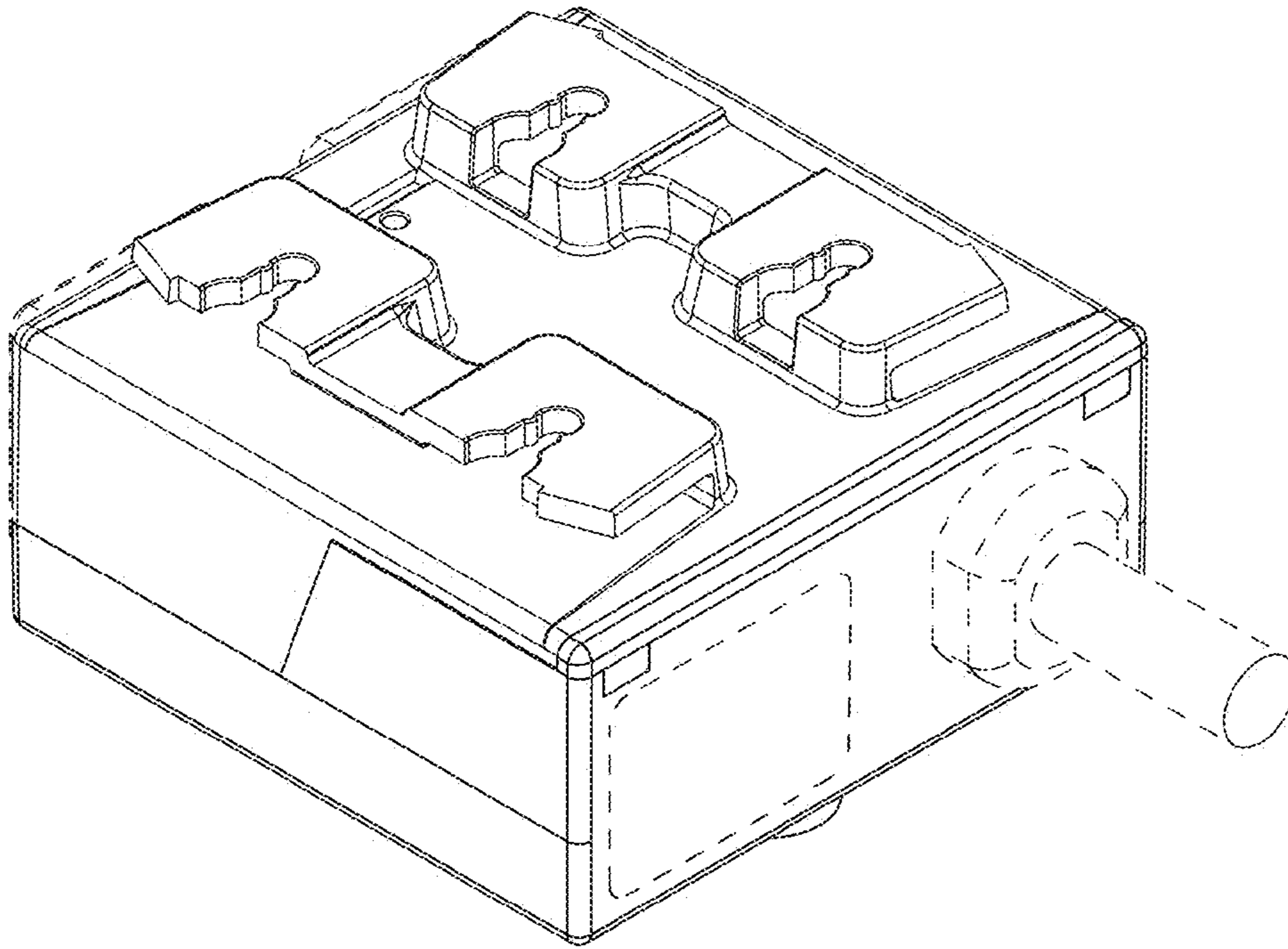


Fig. 3

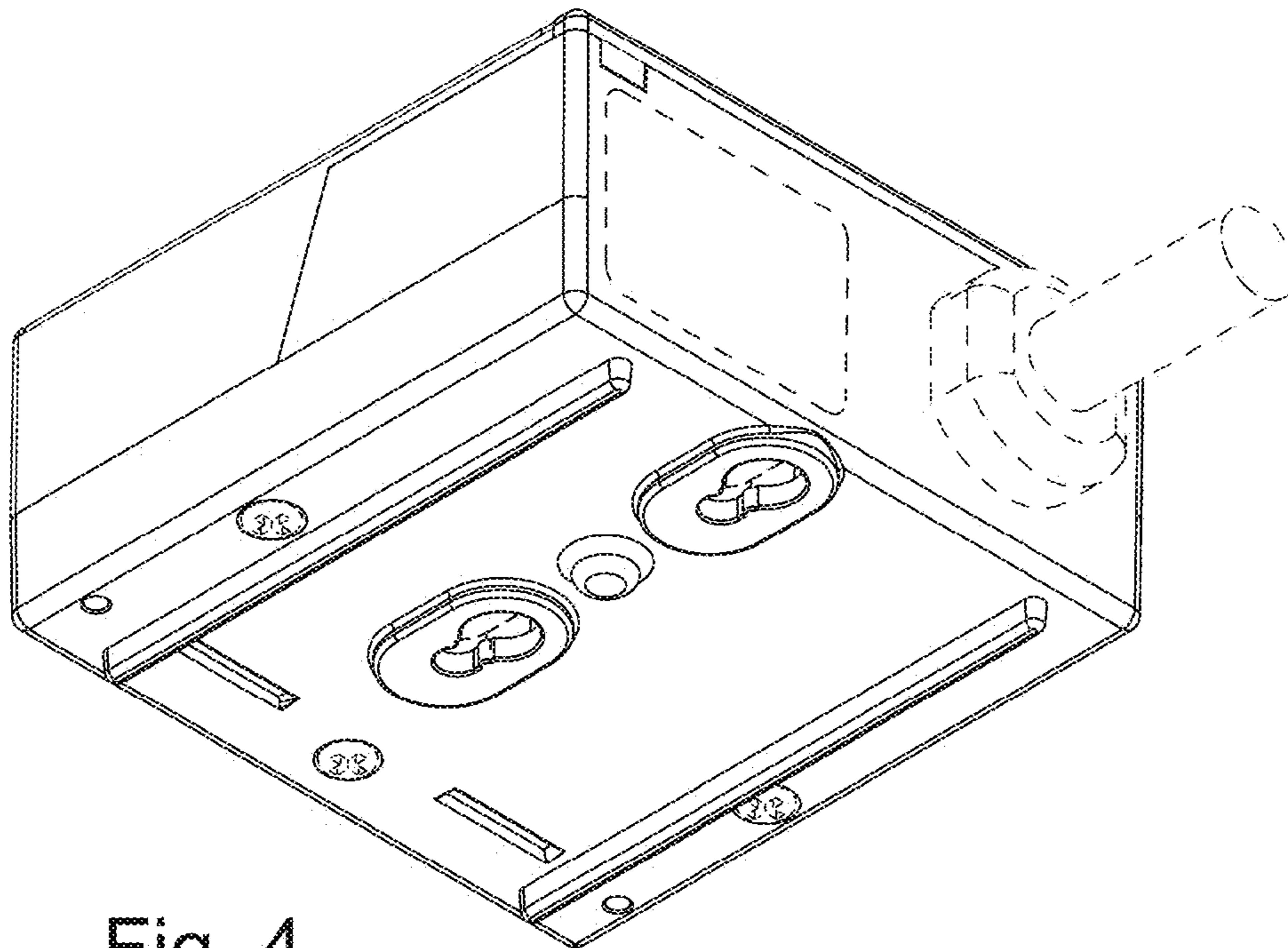


Fig. 4

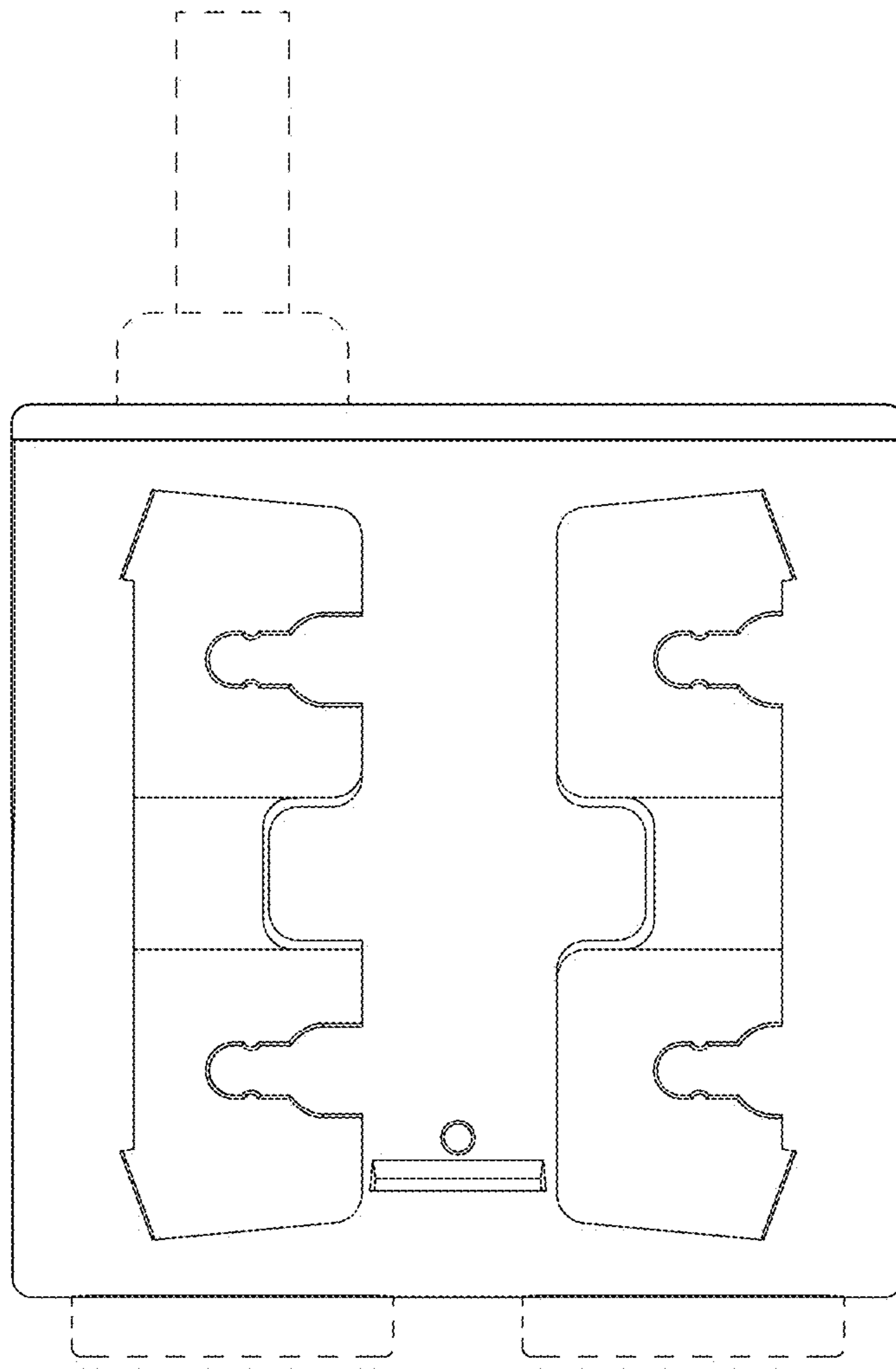


Fig. 5

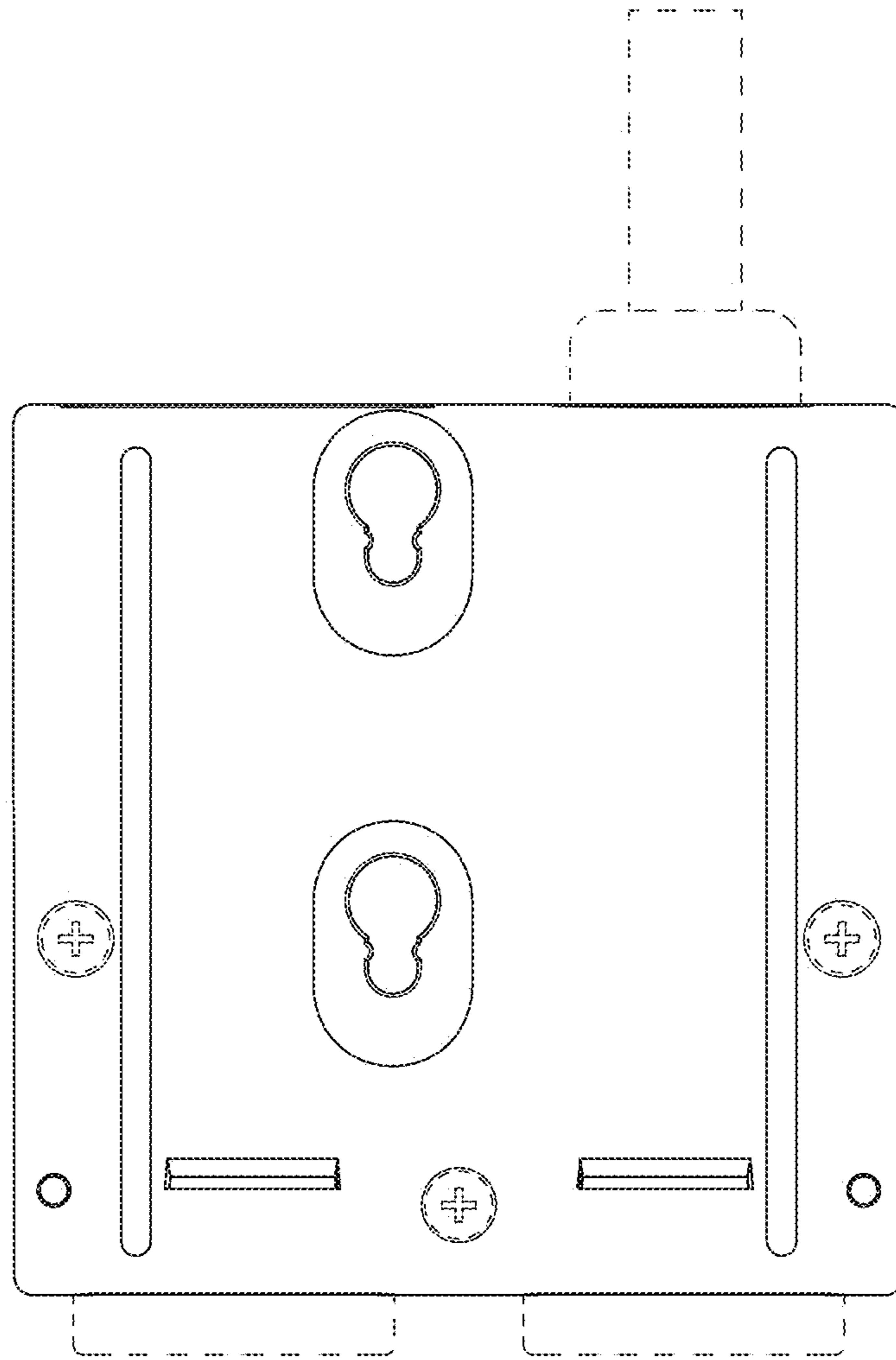


Fig. 6

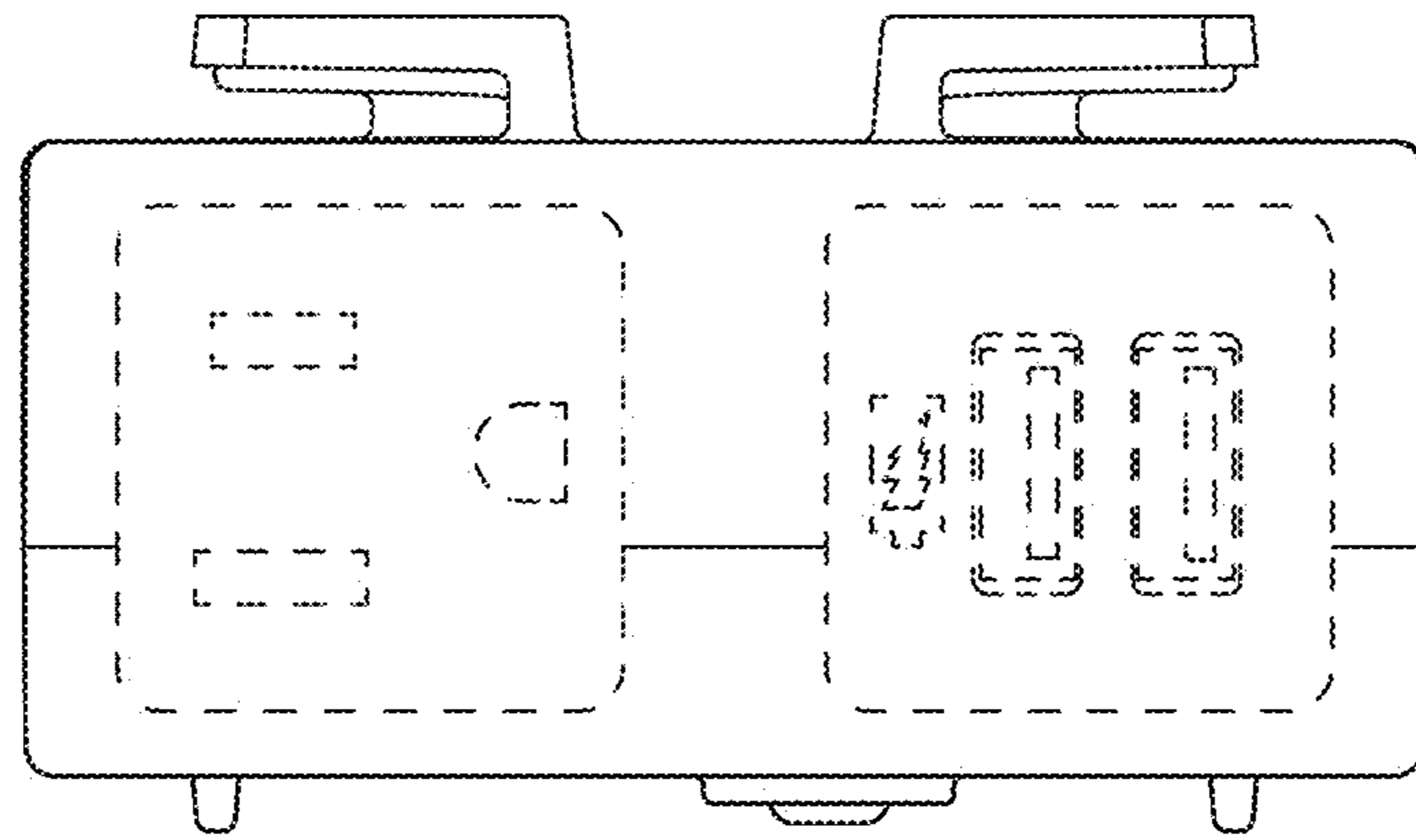


Fig. 7

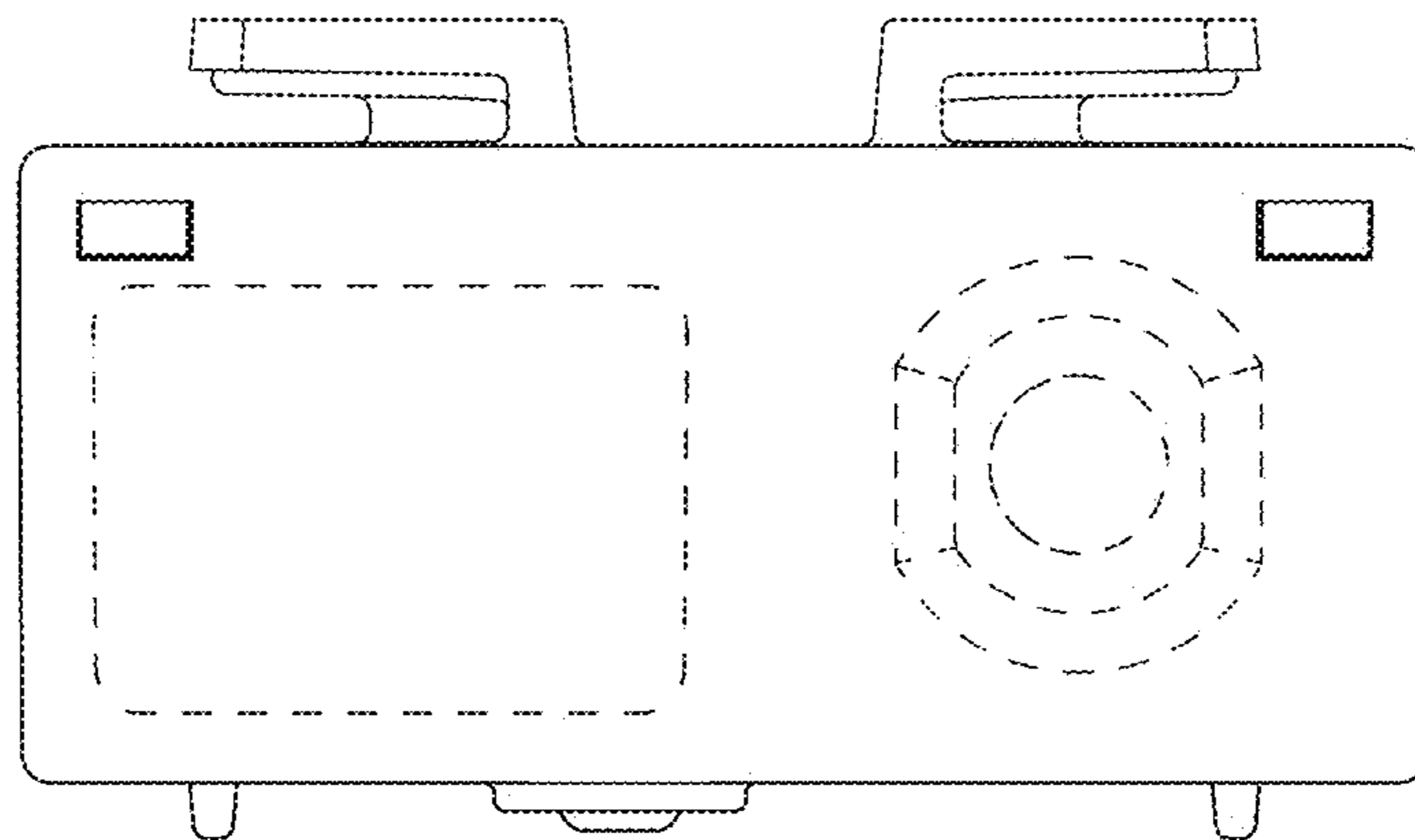


Fig. 8

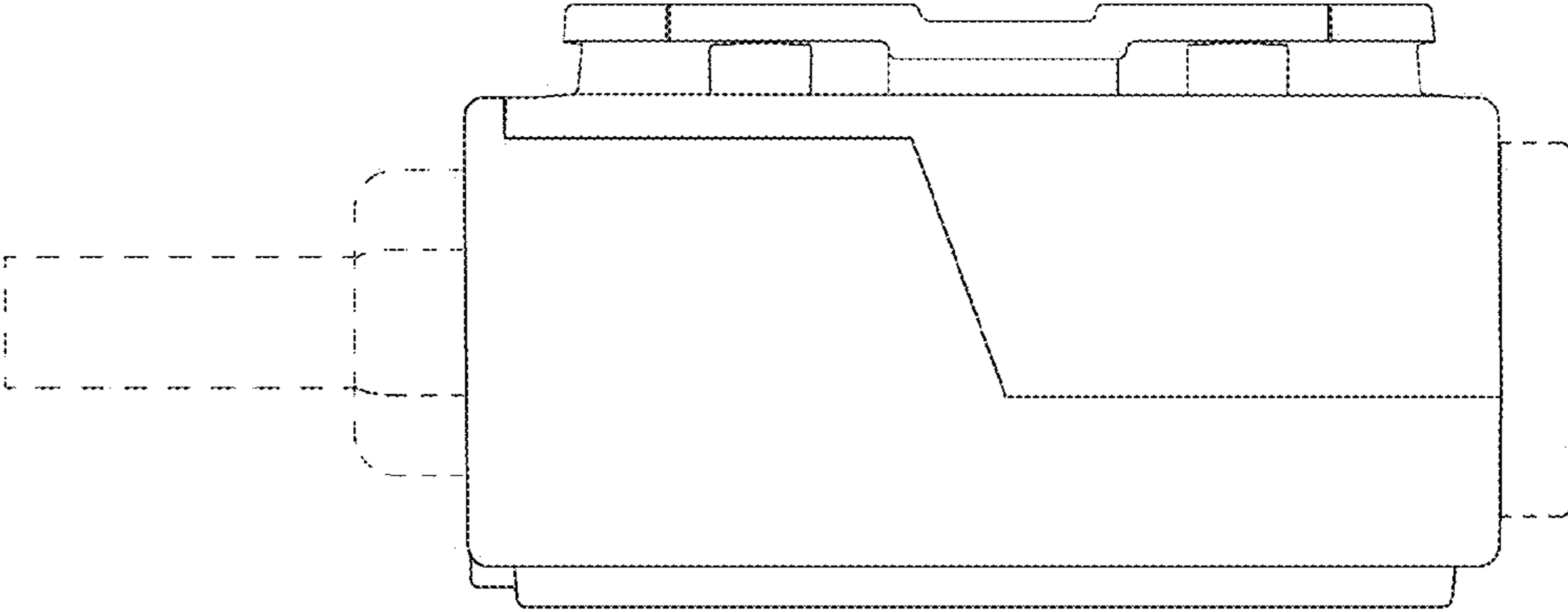


Fig. 9

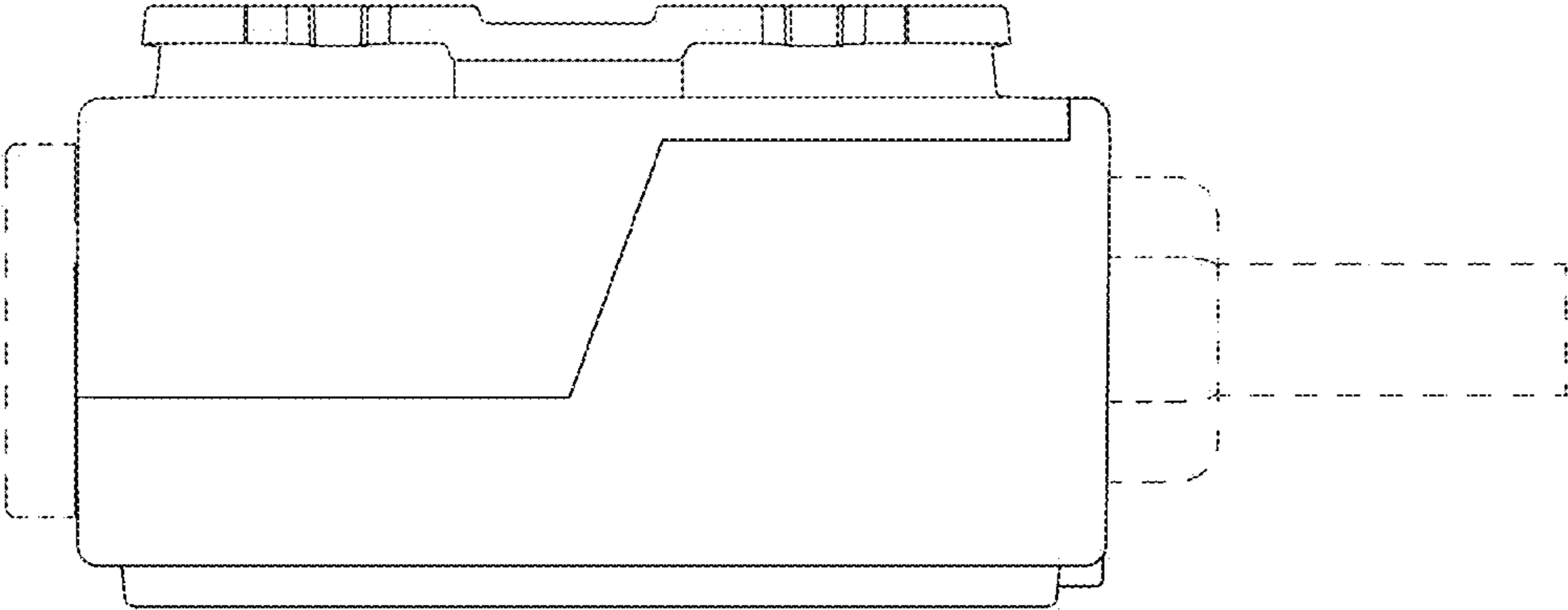


Fig. 10

UNITED STATES PATENT AND TRADEMARK OFFICE
CERTIFICATE OF CORRECTION

PATENT NO. : D719,508 S
APPLICATION NO. : 29/488224
DATED : December 16, 2014
INVENTOR(S) : Norman R. Byrne et al.

Page 1 of 8

It is certified that error appears in the above-identified patent and that said Letters Patent is hereby corrected as shown below:

Title page, illustrative figs. 1 and 2 should be deleted and substitute therefore illustrative figs. 1 and 2 as shown on the attached Title Page.

In The Drawings

Figs. 1-10 should be deleted and substitute therefore the attached figs. 1-10 as shown on the attached sheets 1-6 of 6.

Signed and Sealed this
Second Day of February, 2016



Michelle K. Lee
Director of the United States Patent and Trademark Office

(12) **United States Design Patent**
Byrne et al.

(10) **Patent No.:** **US D719,508 S**
 (45) **Date of Patent:** **** Dec. 16, 2014**

(54) **ELECTRICAL POWER UNIT**

(71) Applicants: **Norman R. Byrne**, Ada, MI (US);
Christa R. Anderson-Walker, MI (US);
Randell E. Pate, Jenison, MI (US)

(72) Inventors: **Norman R. Byrne**, Ada, MI (US);
Christa R. Anderson-Walker, MI (US);
Randell E. Pate, Jenison, MI (US)

(**) Term: **14 Years**

(21) Appl. No.: **29/488,224**

(22) Filed: **Apr. 17, 2014**

(51) **LOC (10) CL.** **D13-02**

(52) **U.S. CL.**
 USPC **D13/110**

(58) **Field of Classification Search**
 USPC D13/110, 107, 108, 123, 133, 137.1,
 D13/137.2, 137.4, 139.6, 139.7, 139.8, 199;
 174/53, 54, 59, 61, 307/150, 151,
 320/111, 114, 363/140, 142, 143, 146;
 439/105, 107, 166, 171, 173, 218, 518,
 439/650, 652, 692, 956; 200/51 R, 51.04,
 200/51.06, 51.16; 361/166
 See application file for complete search history

(56) **References Cited**

U.S. PATENT DOCUMENTS

| | | | |
|----------------|--------|---------------|-----------|
| D139,323 S * | 9/1993 | Burgher et al | D13/110 |
| 5,660,554 A * | 8/1997 | Mead | 439/172 |
| 5,949,640 A * | 9/1999 | Cameron et al | 361/600 |
| 6,227,888 B1 * | 5/2001 | Hahn | 439/174 |
| D561,094 S * | 2/2008 | Sveven et al | D13/110 |
| D564,965 S * | 4/2008 | Martinez | D13/137.2 |

| | | | |
|--------------|---------|----------------|---------|
| D570,772 S * | 6/2008 | Mahalley et al | D13/110 |
| D627,719 S * | 11/2010 | DiMelle et al | D13/110 |
| D668,797 S * | 5/2012 | Wu | D13/110 |

* cited by examiner

Primary Examiner - Derrick Holland

(74) *Attorney, Agent, or Firm* - Gardner, Litt, Hurkhar & Flory, LLP

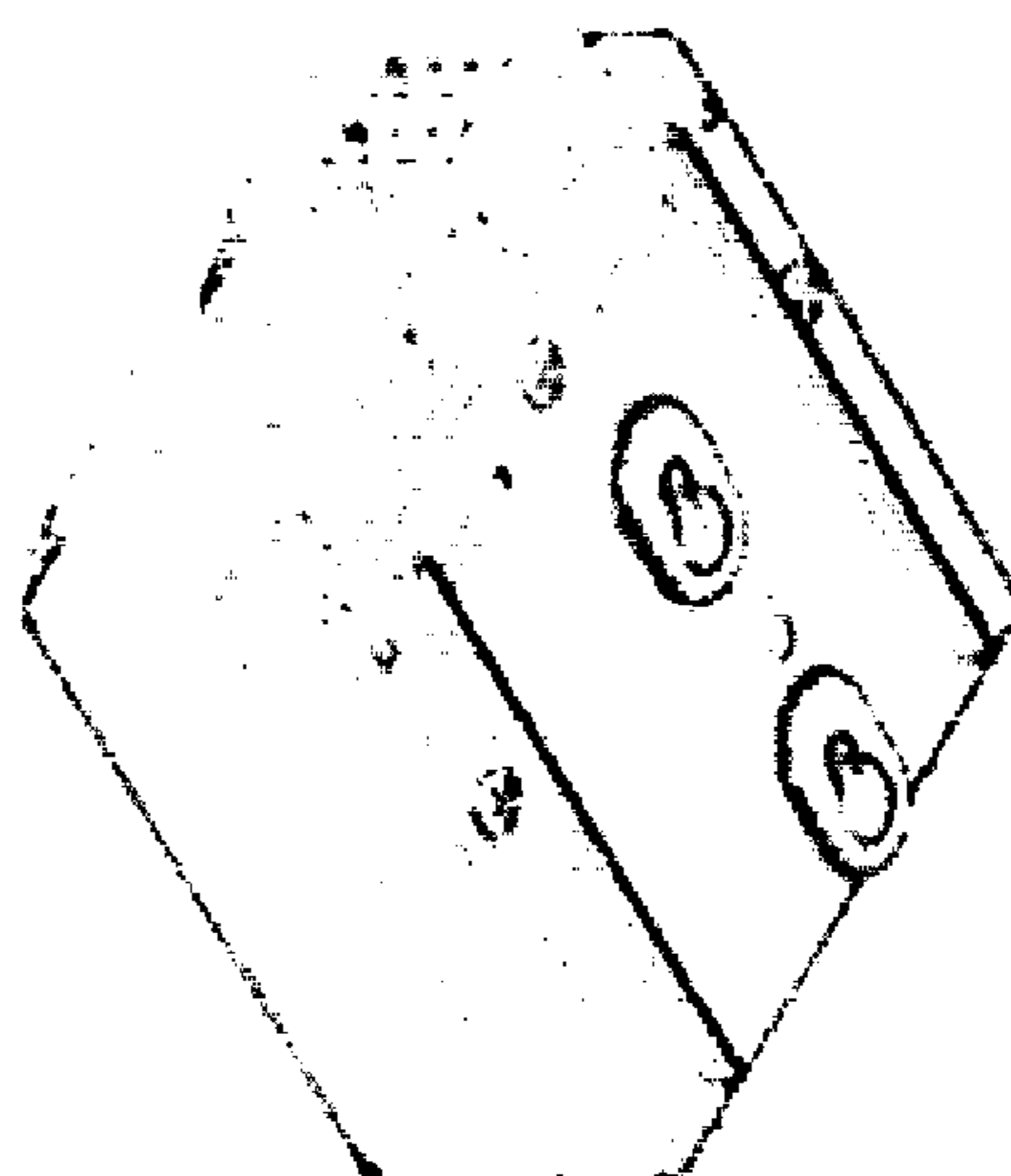
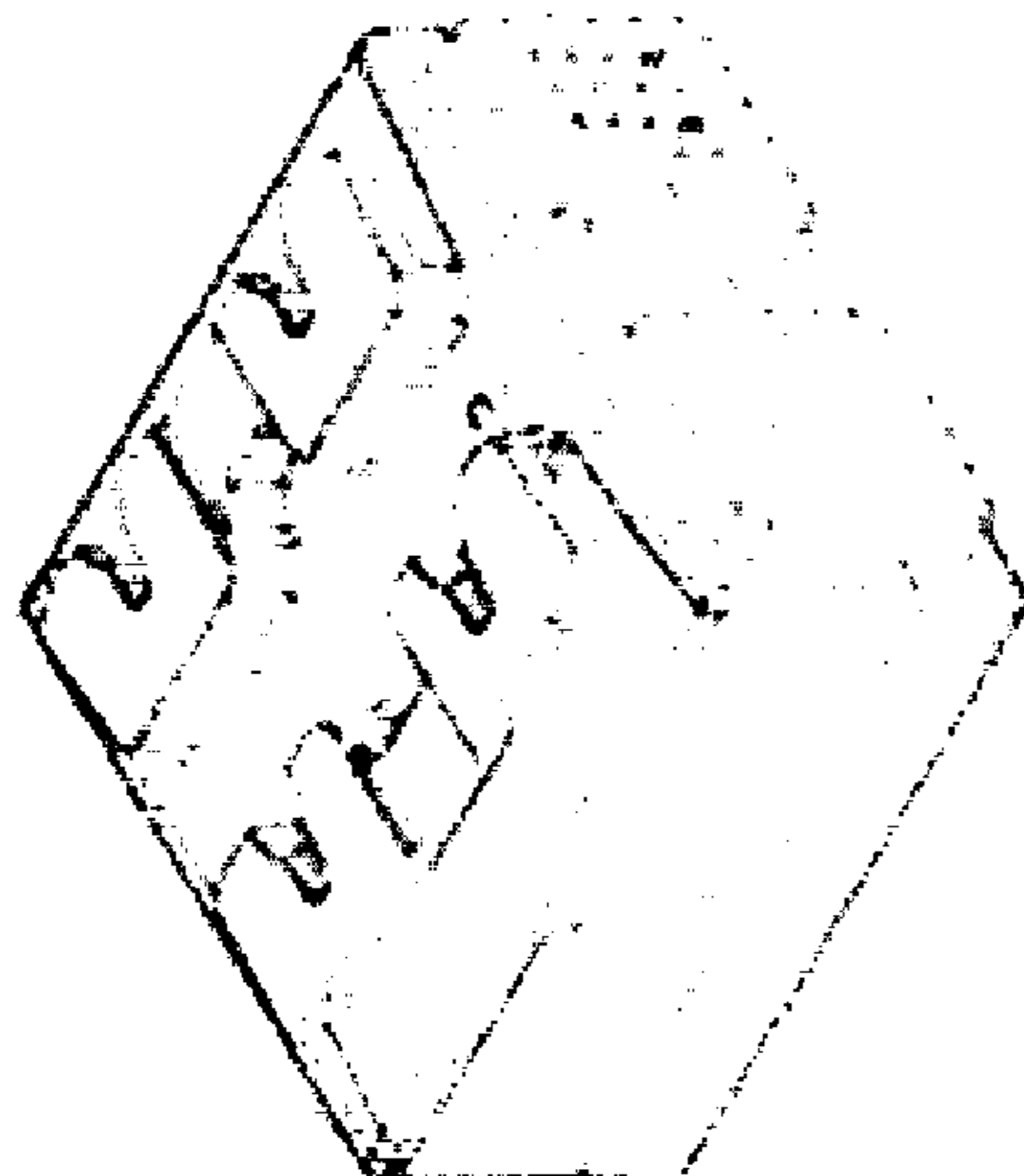
(57) **CLAIM**

The ornamental design for a electrical power unit, as shown and described.

DESCRIPTION

FIG. 1 is a top-front perspective view of an electrical power unit showing our new design;
 FIG. 2 is a bottom-front perspective view of the electrical power unit of FIG. 1;
 FIG. 3 is a top-rear perspective view of the electrical power unit of FIG. 1;
 FIG. 4 is a bottom-rear perspective view of the electrical power unit of FIG. 1;
 FIG. 5 is a top plan view of the electrical power unit of FIG. 1;
 FIG. 6 is a bottom plan view of the electrical power unit of FIG. 1;
 FIG. 7 is a front elevation of the electrical power unit of FIG. 1;
 FIG. 8 is a rear elevation of the electrical power unit of FIG. 1;
 FIG. 9 is a right side elevation of the electrical power unit of FIG. 1; and
 FIG. 10 is a left side elevation of the electrical power unit of FIG. 1.
 In the drawings, the broken lines depict environmental subject matter only and form no part of the claimed design.

1 Claim, 6 Drawing Sheets



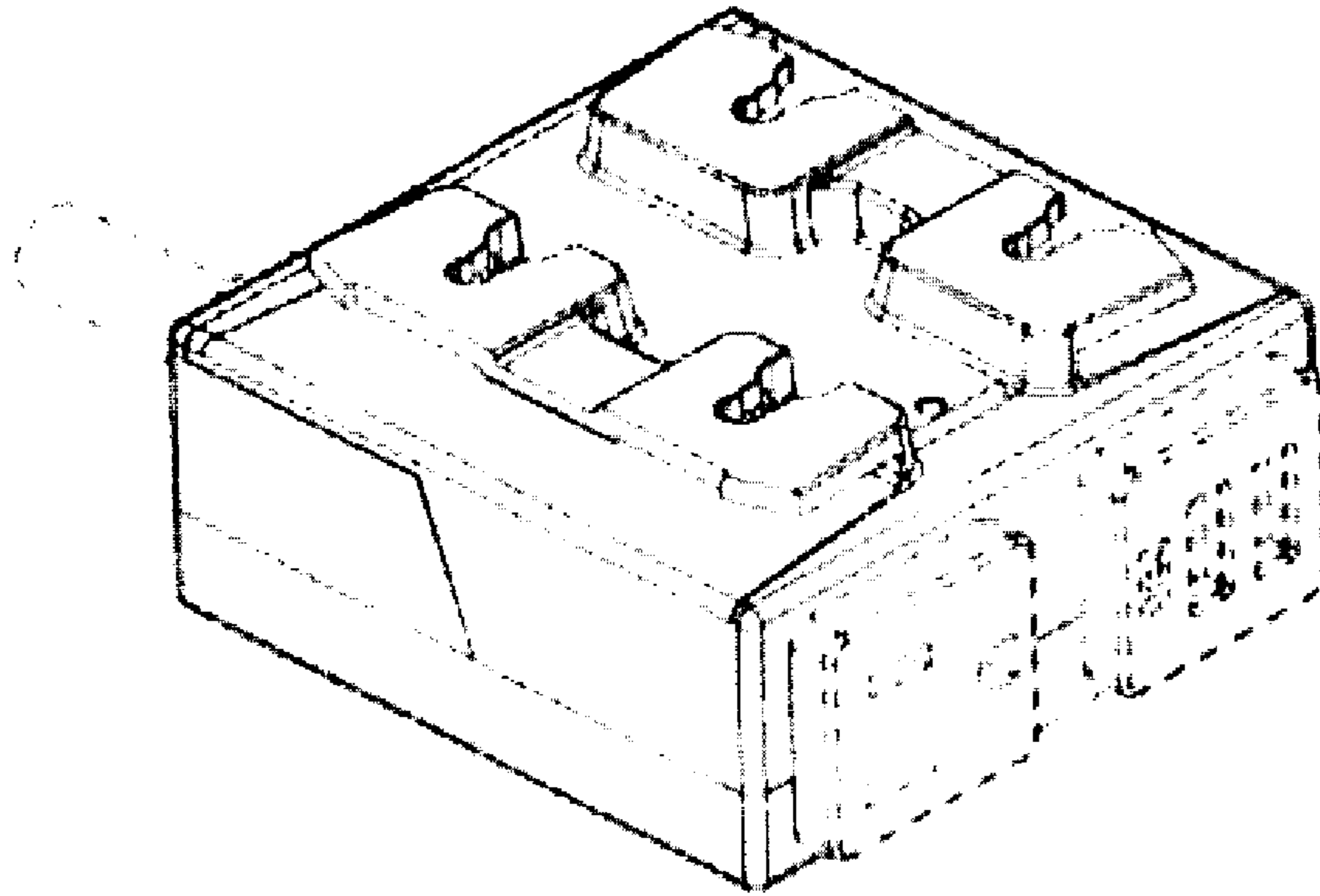


Fig. 1

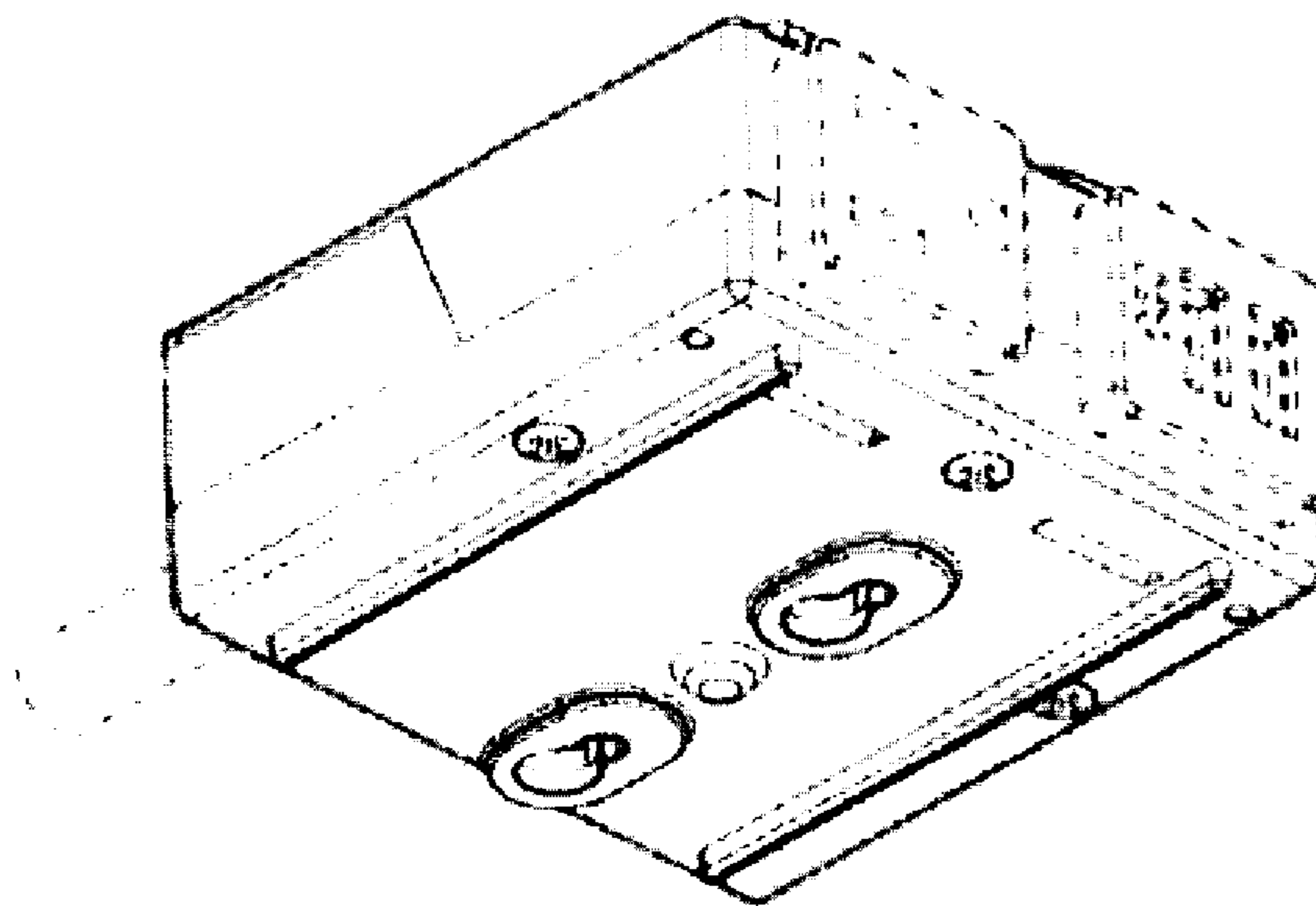


Fig. 2

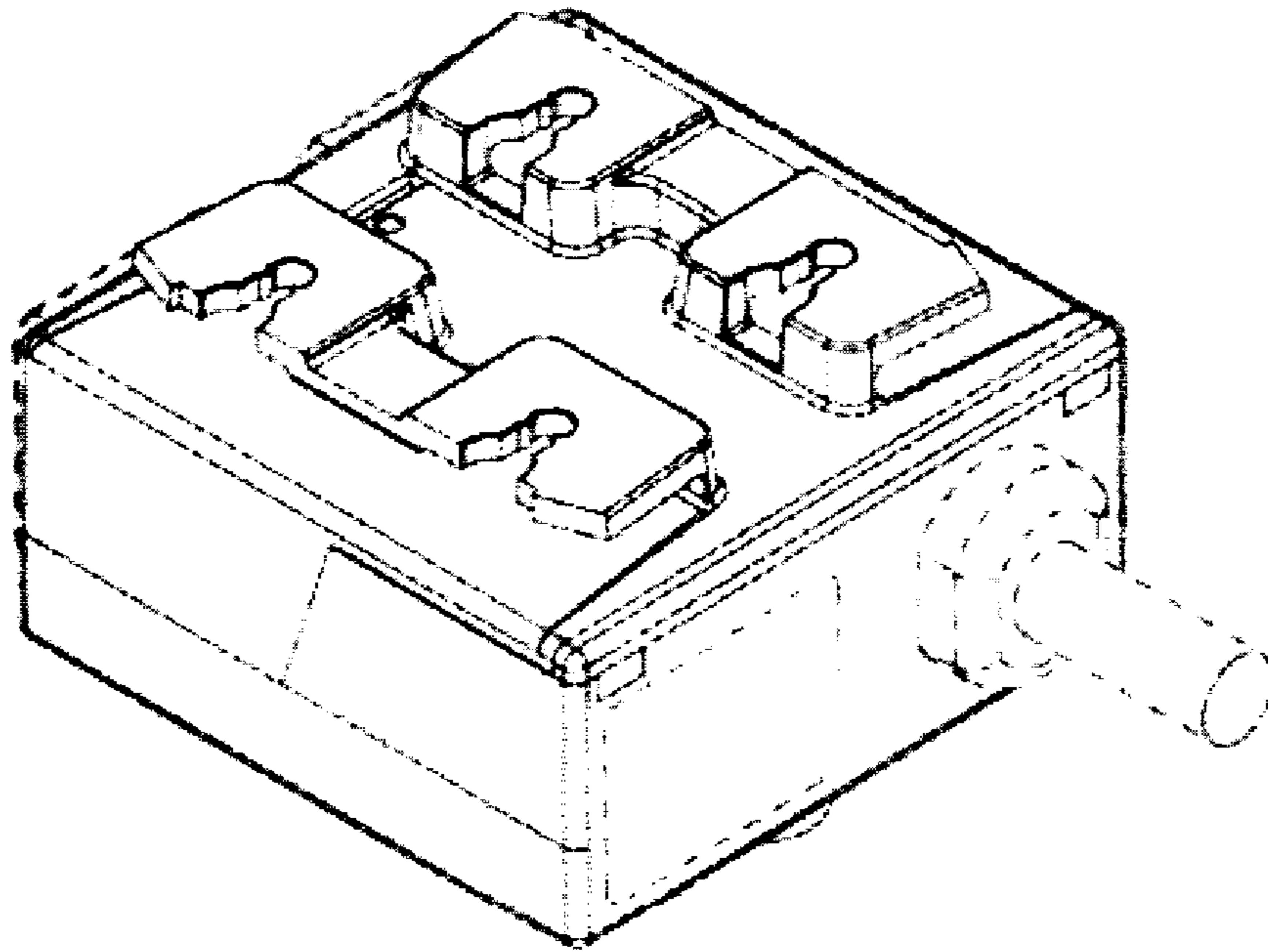


Fig. 3

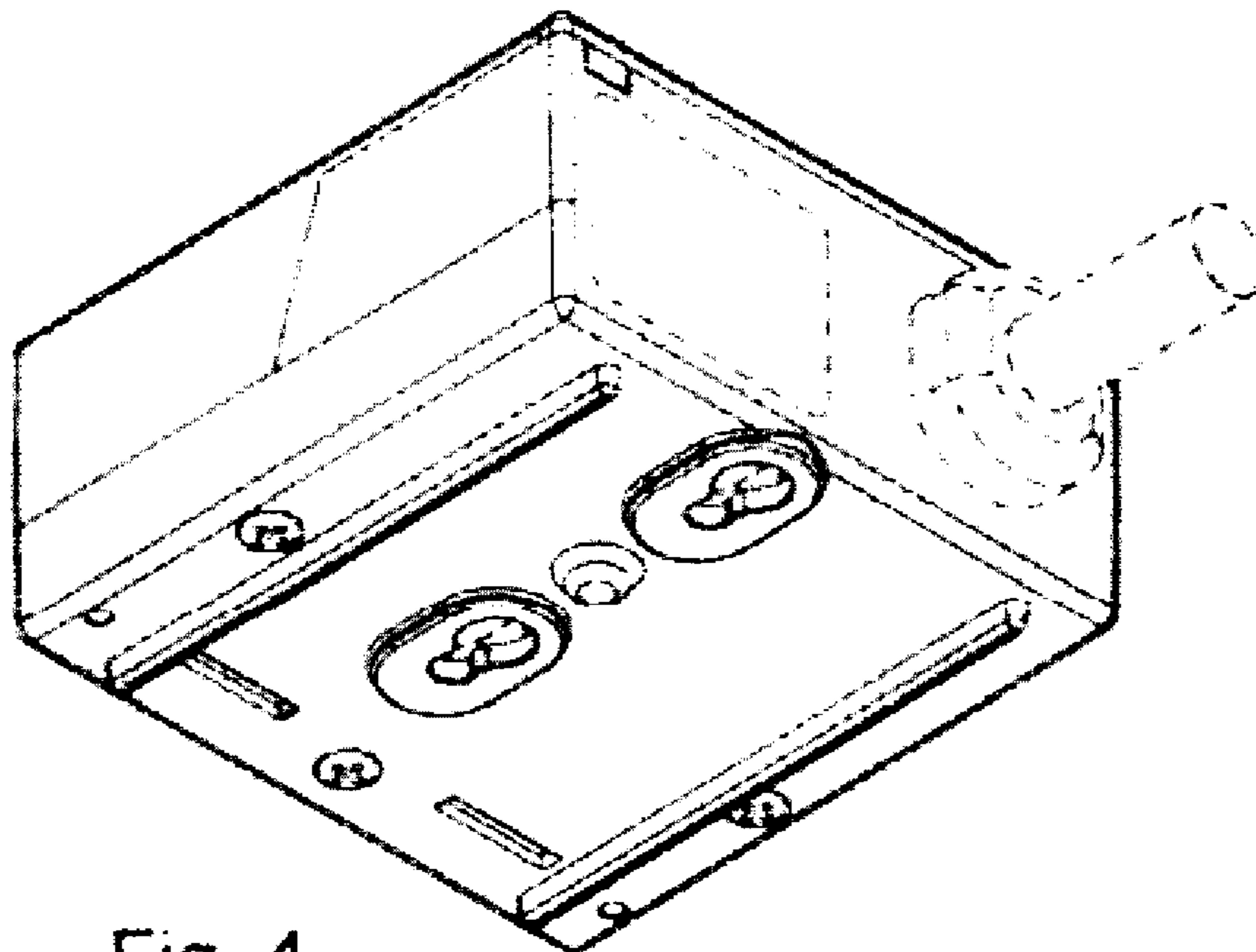


Fig. 4

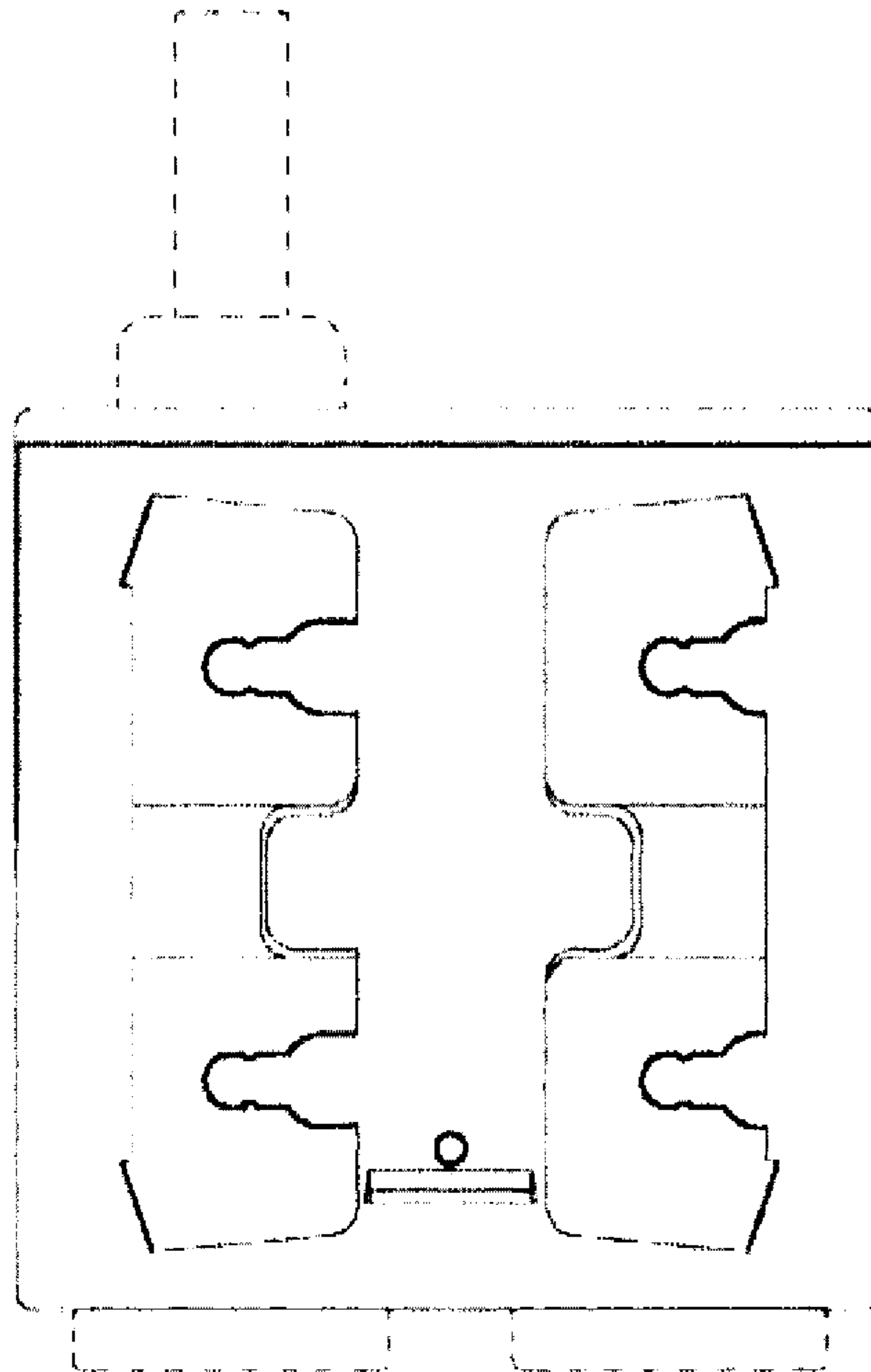


Fig. 5

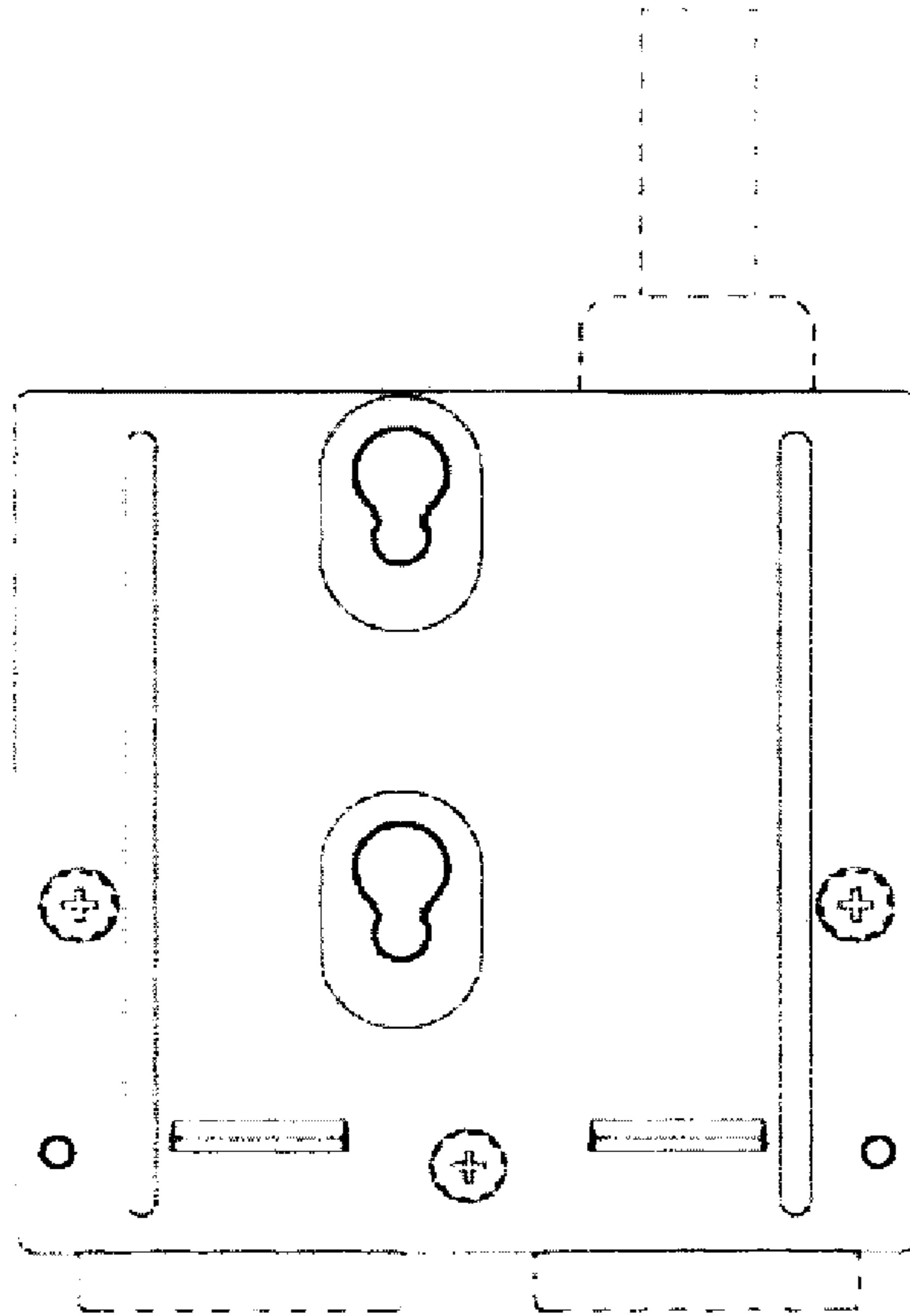


Fig. 6

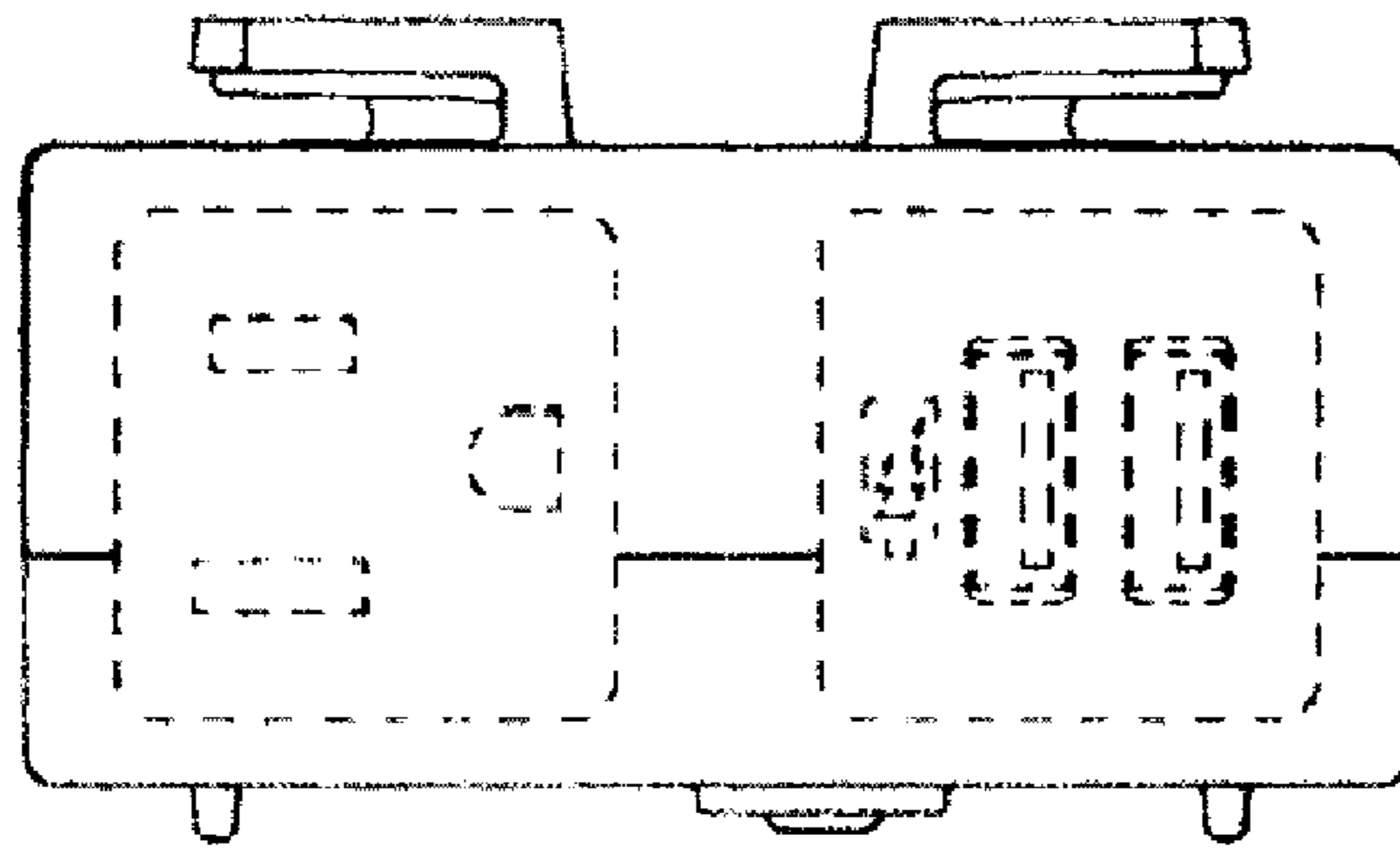


Fig. 7

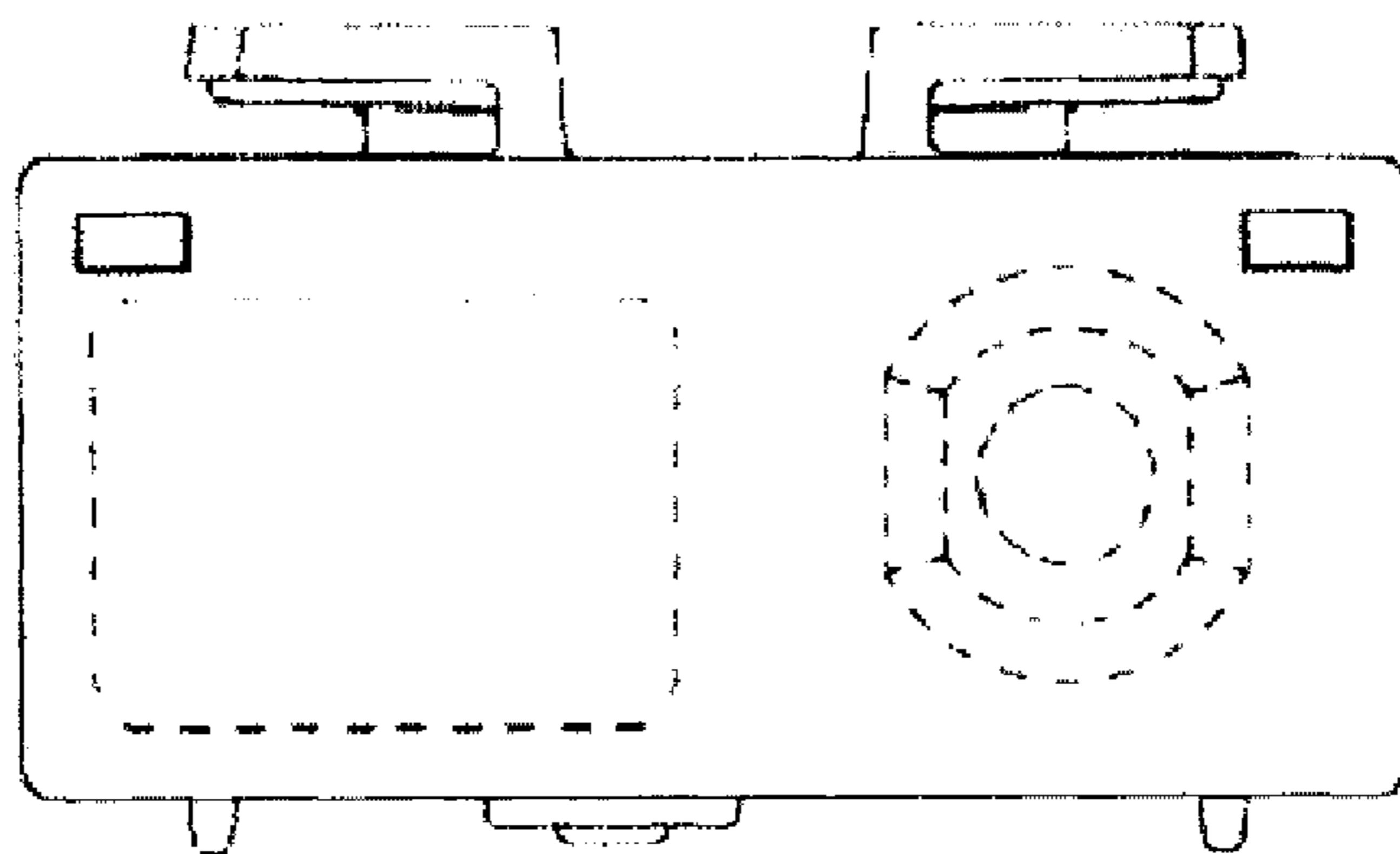


Fig. 8

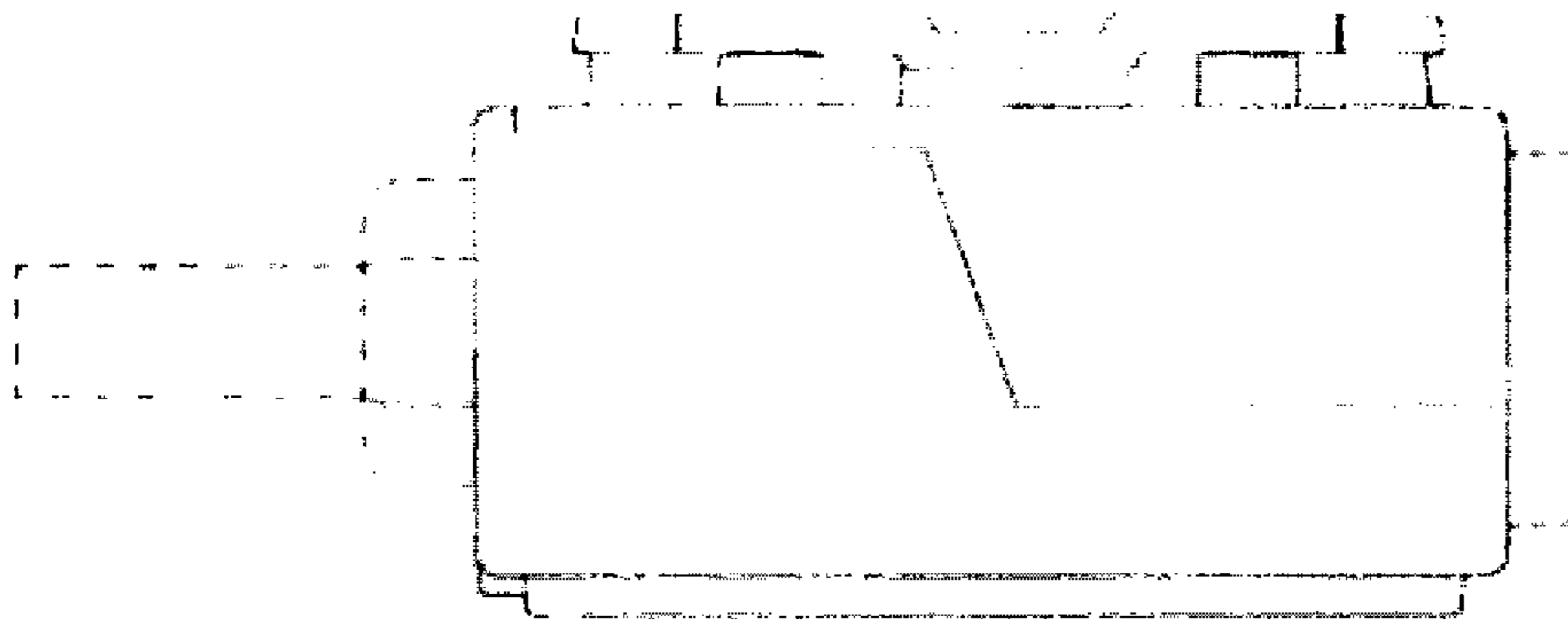


Fig. 9

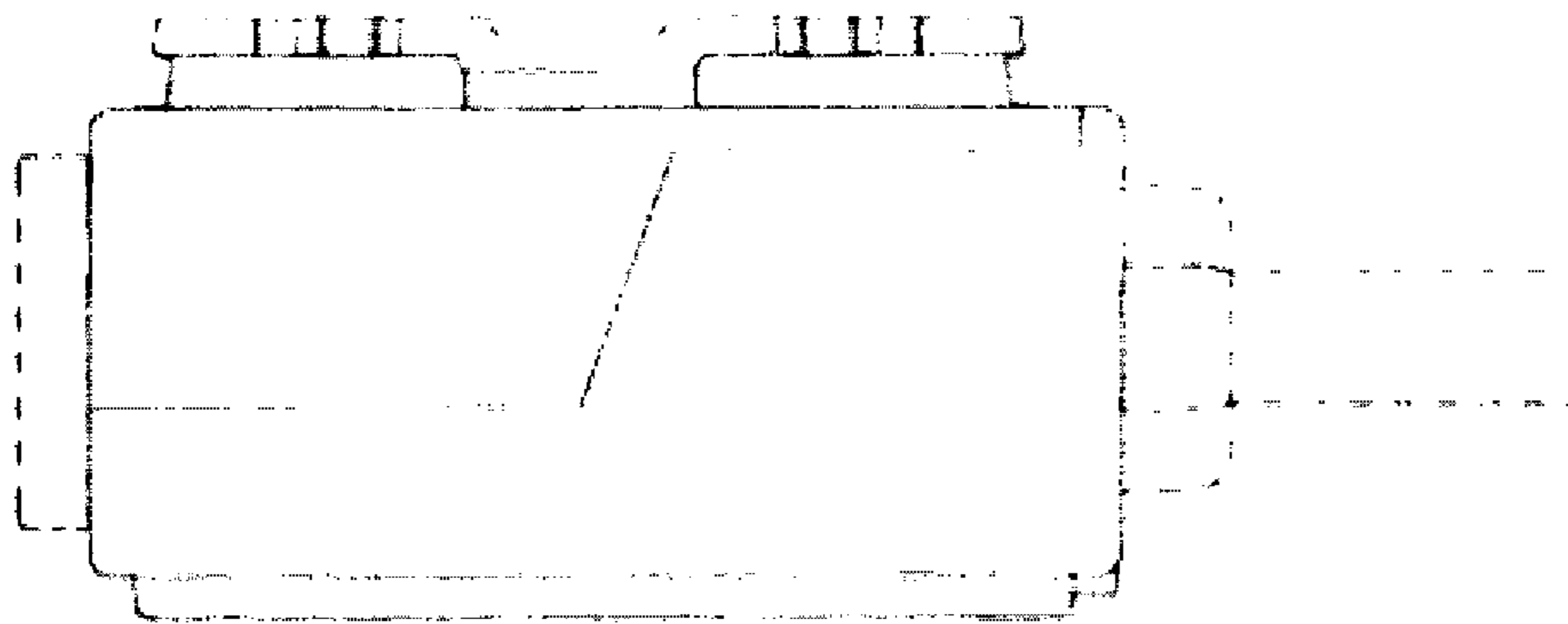


Fig. 10