



US00D719507S

(12) **United States Design Patent**
Ogihara et al.

(10) **Patent No.:** **US D719,507 S**

(45) **Date of Patent:** **** Dec. 16, 2014**

(54) **CHARGER FOR ACTIVITY MONITOR**

(71) Applicant: **Omron Healthcare Co., Ltd.**, Kyoto
(JP)

(72) Inventors: **Tsuyoshi Ogihara**, Kyoto (JP); **Shusuke Eshita**, Kyoto (JP); **Tamaki Ito**, Kyoto (JP)

(73) Assignee: **Omron Healthcare Co., Ltd.**, Kyoto (JP)

(**) Term: **14 Years**

(21) Appl. No.: **29/491,121**

(22) Filed: **May 16, 2014**

(30) **Foreign Application Priority Data**

Nov. 19, 2013 (JP) 2013-027040

(51) **LOC (10) Cl.** **13-02**

(52) **U.S. Cl.**
USPC **D13/108**

(58) **Field of Classification Search**
USPC D13/107-110, 118-119, 184, 199;
D14/251, 253, 432, 434; 320/107-115,
320/128, 137-140
See application file for complete search history.

(56) **References Cited**

U.S. PATENT DOCUMENTS

D349,097 S * 7/1994 Watanabe D13/108
D361,069 S * 8/1995 Hellier et al. D14/253

D385,252 S *	10/1997	Snyder et al.	D13/108
D402,259 S *	12/1998	Mason	D13/108
D402,957 S *	12/1998	Kuwayama et al.	D13/108
D417,430 S *	12/1999	Ko	D13/107
D427,966 S *	7/2000	Foster et al.	D13/107
D446,184 S *	8/2001	Parker	D13/107
6,350,040 B1 *	2/2002	Parker	362/183
D515,502 S *	2/2006	Wen	D13/108
D535,614 S *	1/2007	Majanen et al.	D13/108
D555,087 S *	11/2007	Brefka et al.	D13/107
D578,061 S *	10/2008	Kristensen	D13/110
D615,491 S *	5/2010	Emminger	D13/108
D668,218 S *	10/2012	Dai et al.	D13/107
2005/0024011 A1 *	2/2005	Chen	320/107

* cited by examiner

Primary Examiner — Rosemary K Tarcza

(74) *Attorney, Agent, or Firm* — Capitol City TechLaw

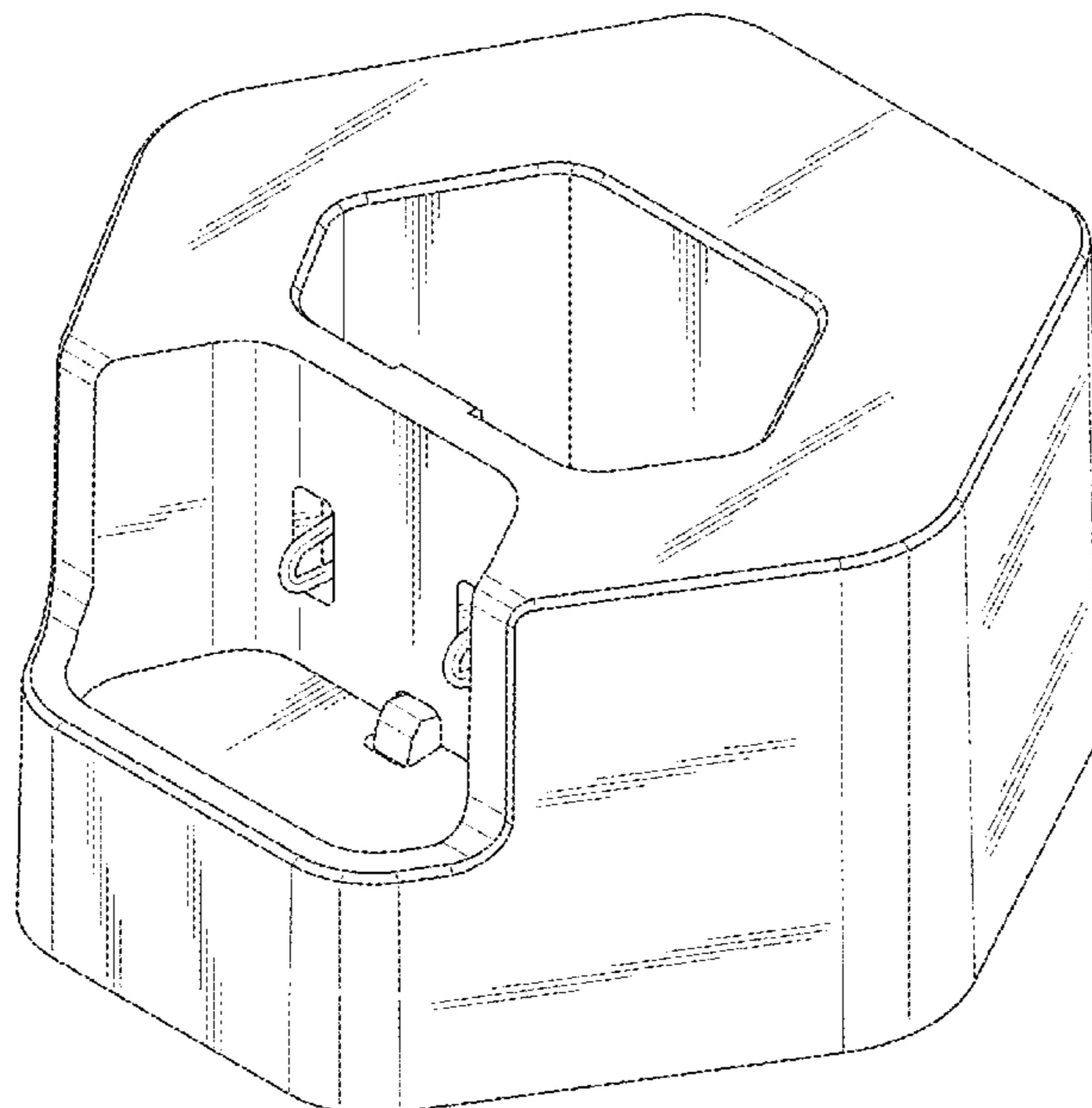
(57) **CLAIM**

The ornamental design for a charger for activity monitor, as shown and described.

DESCRIPTION

FIG. 1 is a front, top, and right side perspective view of a charger for activity monitor showing our new design; FIG. 2 is a front view thereof; FIG. 3 is a rear view thereof; FIG. 4 is a top view thereof; FIG. 5 is a bottom view thereof; FIG. 6 is a right side view thereof; and, FIG. 7 is a left side view thereof. The broken lines shown in the figures are included for the purpose of illustrating portions of the charger for activity monitor that form no part of the claimed design.

1 Claim, 7 Drawing Sheets



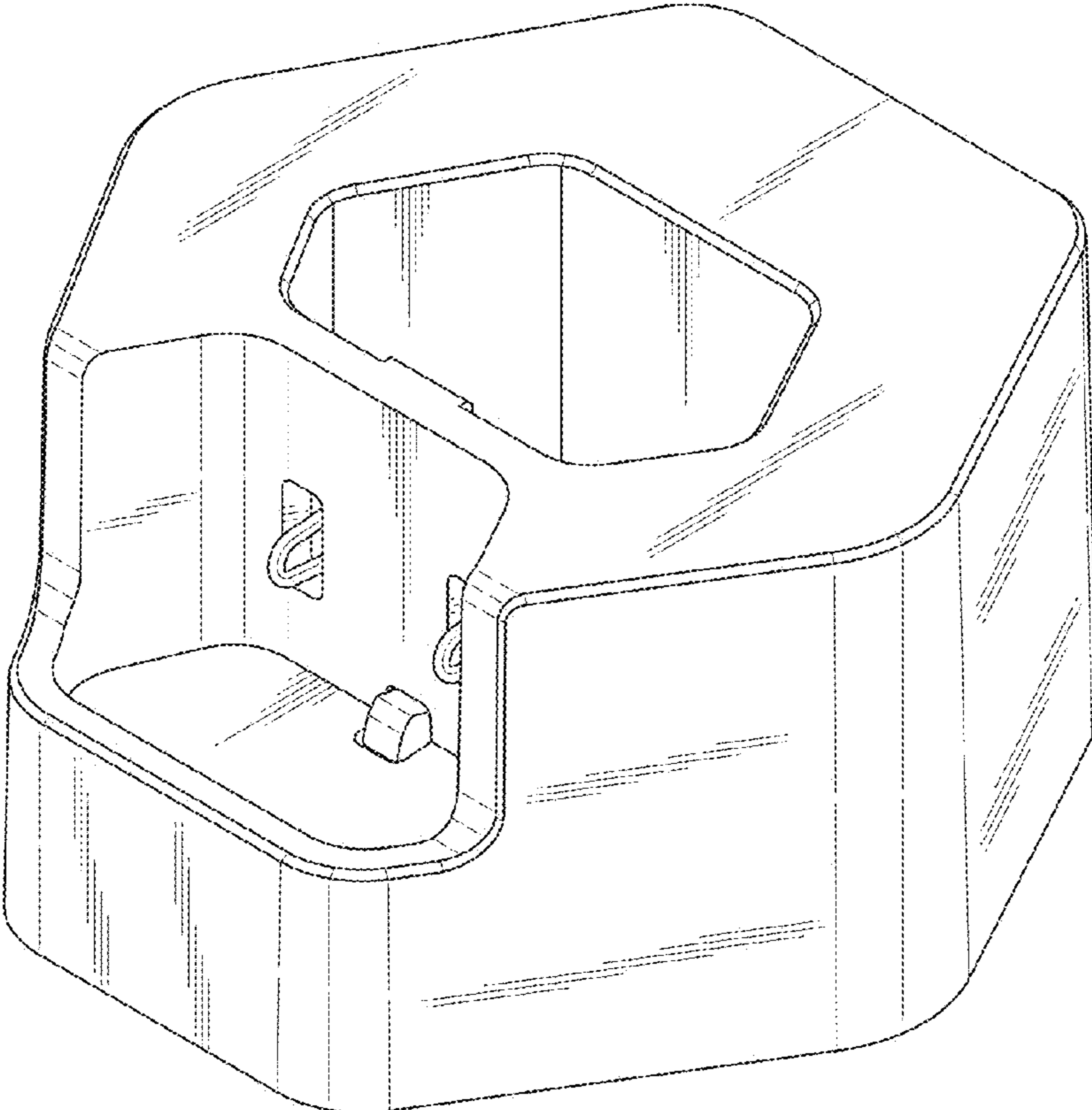


FIG.1

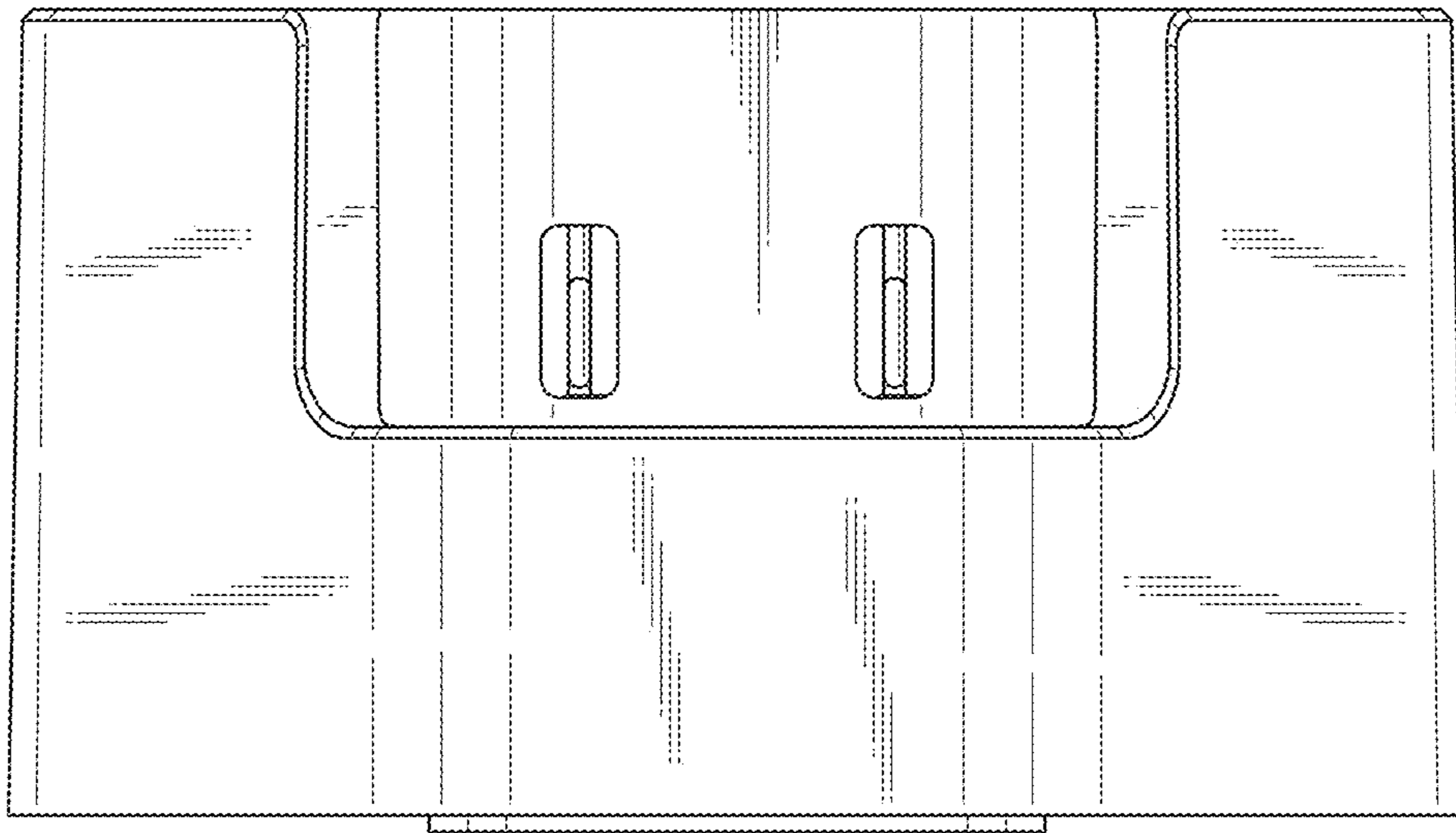


FIG.2

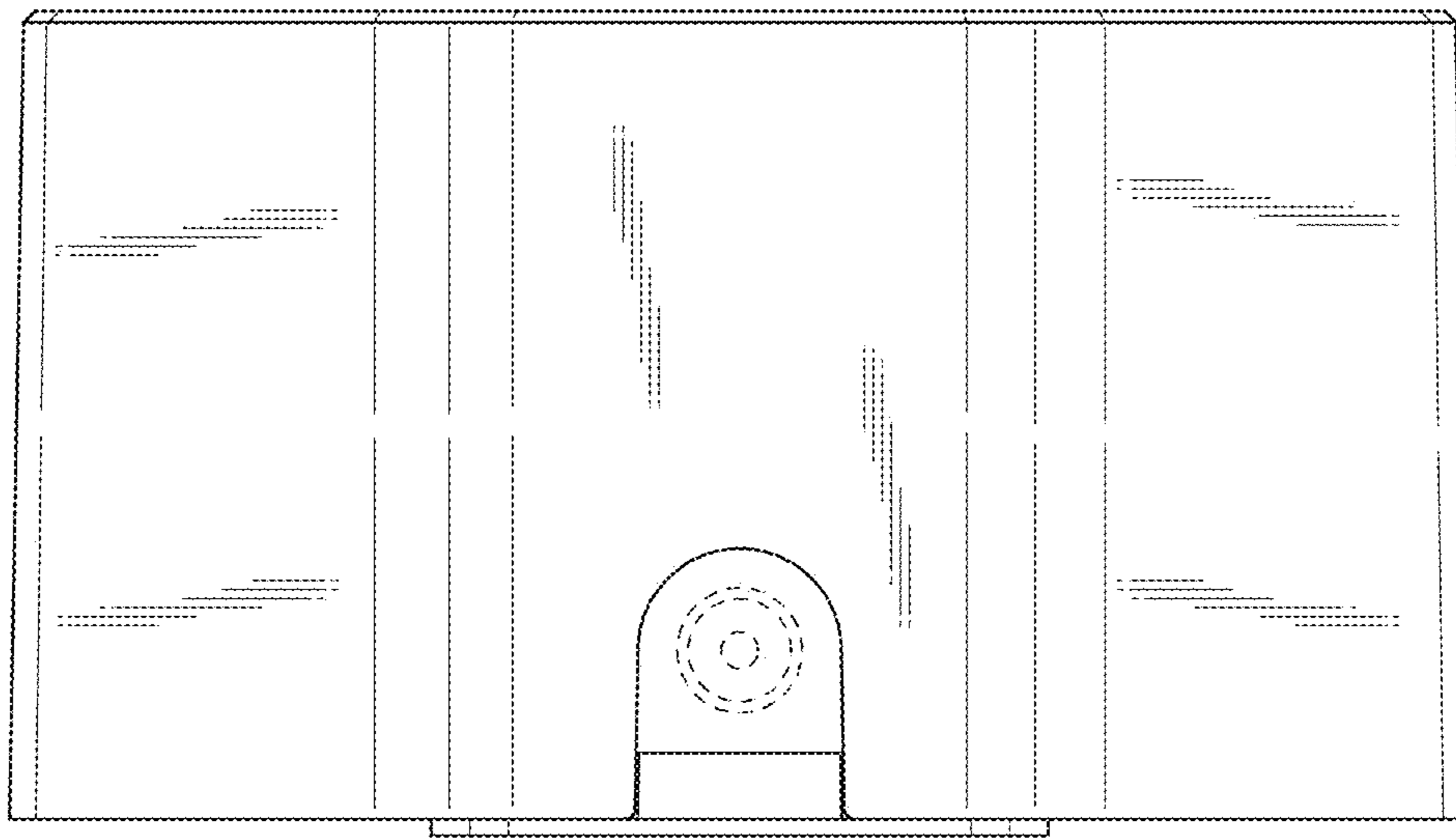


FIG.3

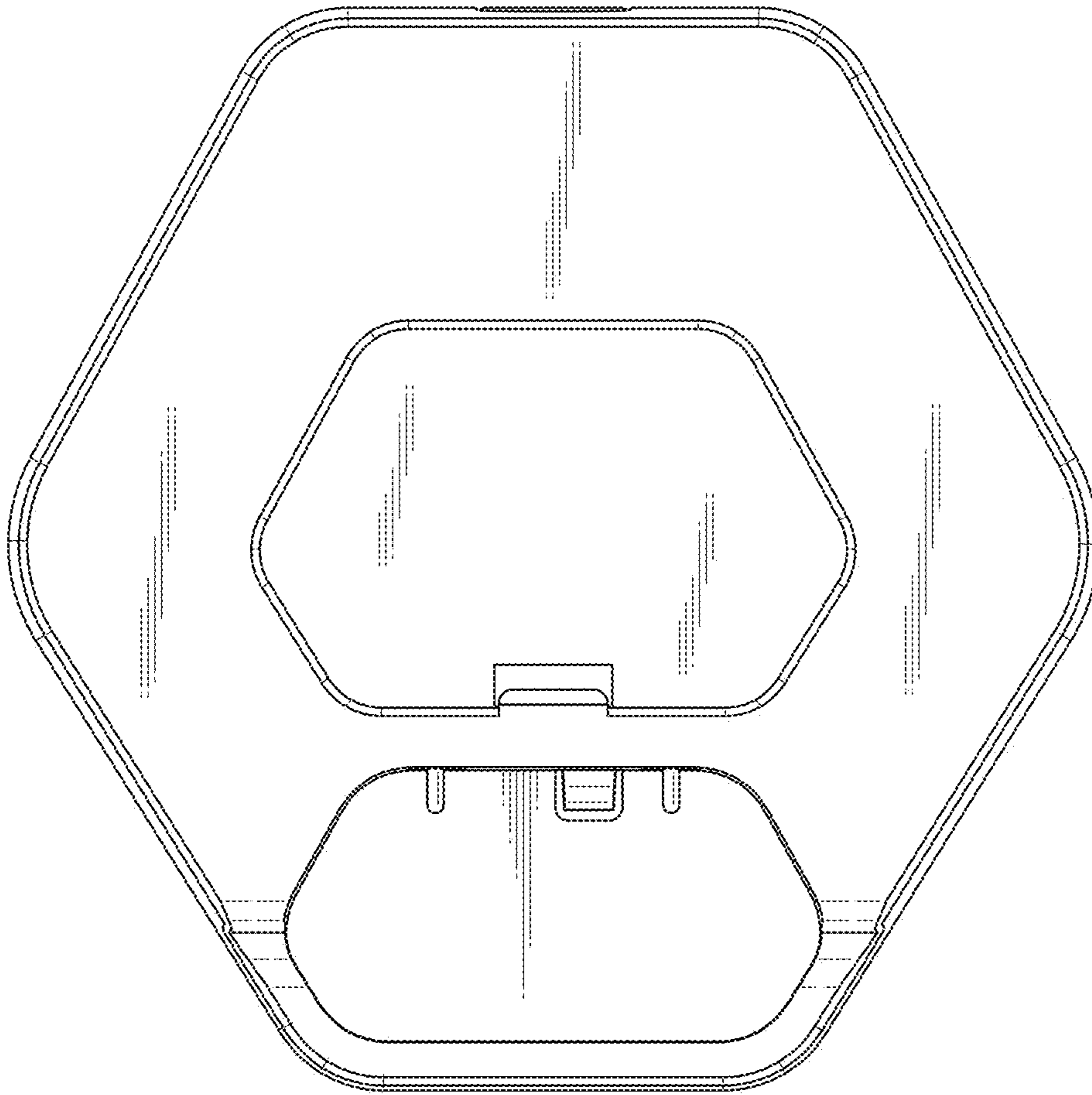


FIG.4

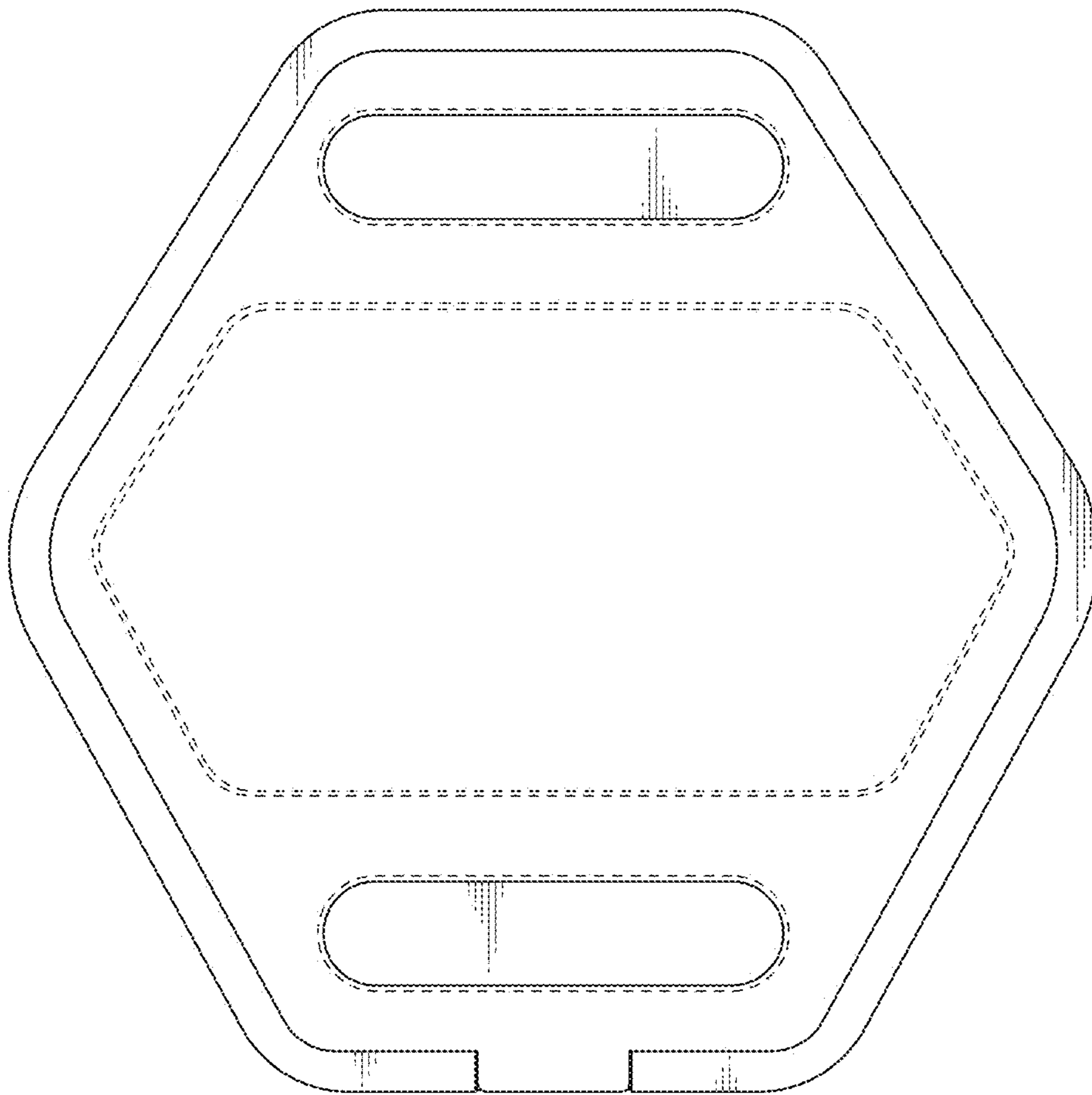


FIG.5

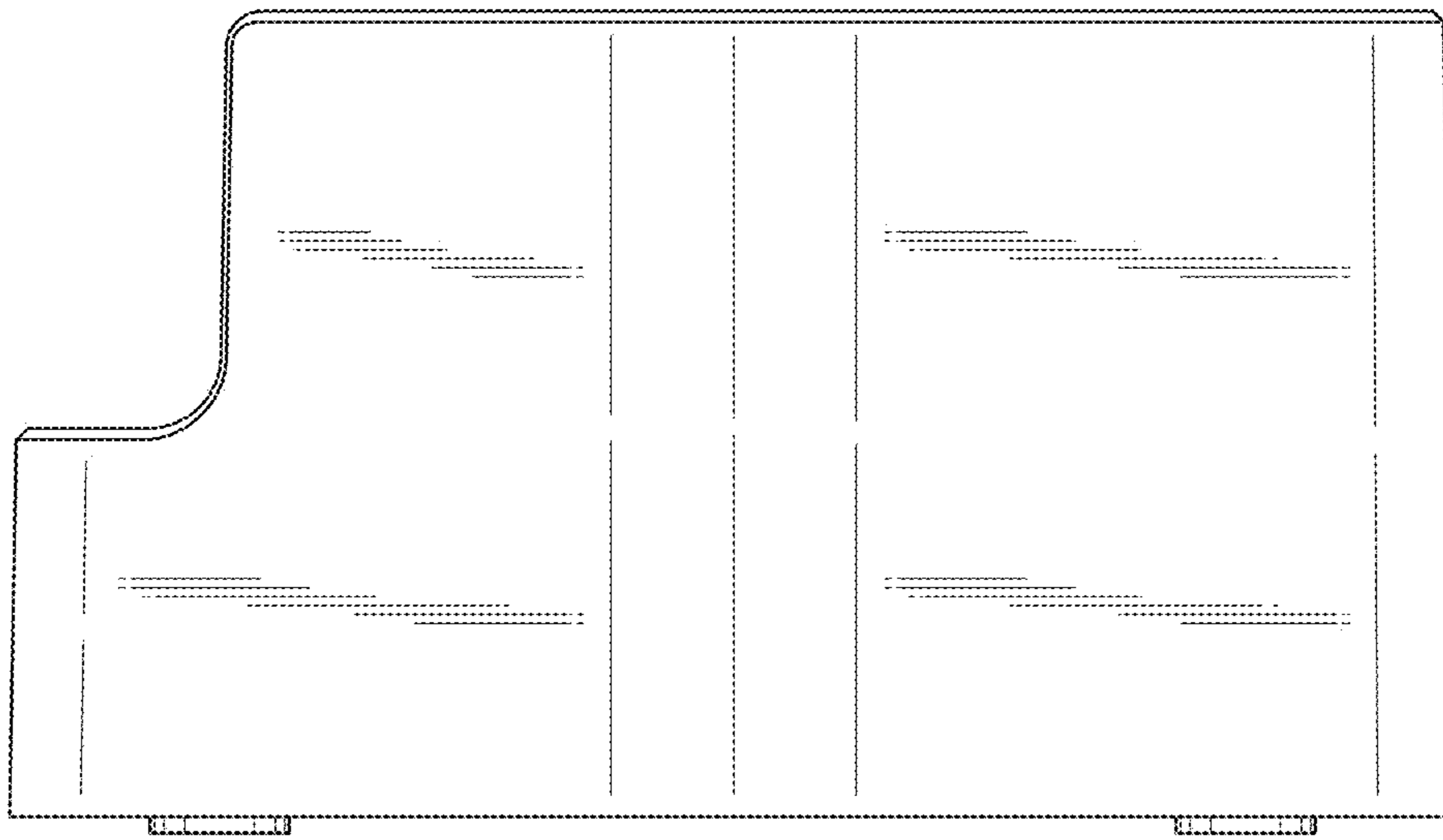


FIG.6

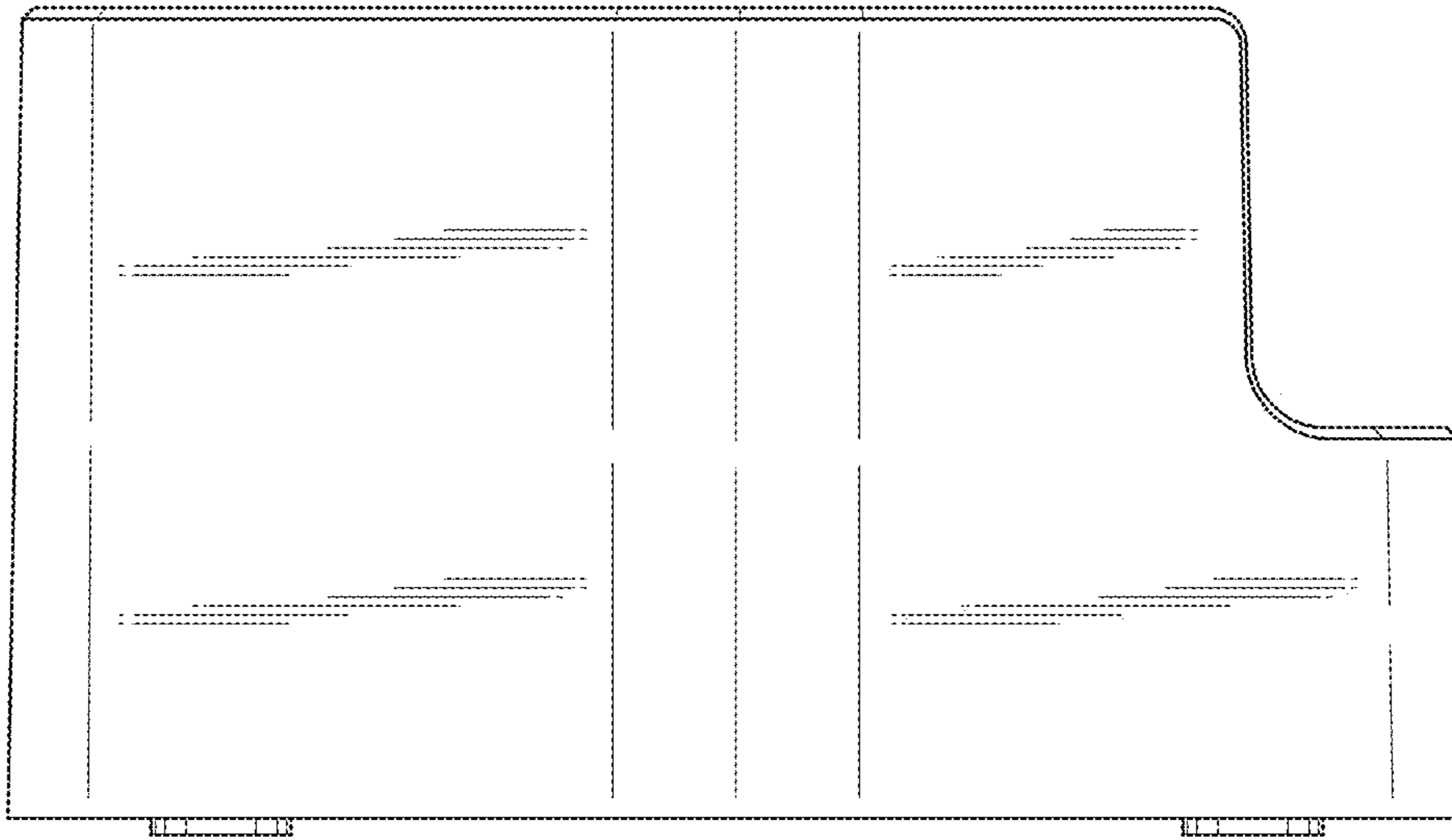


FIG. 7