



US00D719506S

(12) **United States Design Patent**
Jung et al.

(10) **Patent No.:** **US D719,506 S**

(45) **Date of Patent:** **** Dec. 16, 2014**

(54) **WIRELESS TRANSMISSION APPARATUS
FOR PORTABLE ELECTRONIC DEVICE**

(71) Applicant: **Hanrim Postech Co., Ltd.**, Suwon-si,
Gyeonggi-do (KR)

(72) Inventors: **Chun-Kil Jung**, Seoul (KR); **Deok-Bo
Shim**, Suwon-si (KR)

(73) Assignee: **Hanrim Postech Co., Ltd.**, Suwon-Si
(KR)

(**) Term: **14 Years**

(21) Appl. No.: **29/452,453**

(22) Filed: **Apr. 16, 2013**

(30) **Foreign Application Priority Data**

Oct. 17, 2012 (KR) 30-2012-0049429

(51) **LOC (10) Cl.** **13-02**

(52) **U.S. Cl.**
USPC **D13/108**

(58) **Field of Classification Search**
USPC D13/107-110, 118-119, 184, 199;
D14/251, 253, 432, 434; 320/107-115,
320/137-140

See application file for complete search history.

(56) **References Cited**

U.S. PATENT DOCUMENTS

D599,736	S	*	9/2009	Ferber et al.	D13/108
D611,898	S	*	3/2010	Yang	D13/108
D611,899	S	*	3/2010	Yang	D13/108
D623,133	S	*	9/2010	Nomi et al.	D13/108
D636,724	S	*	4/2011	Nomi et al.	D13/108
D644,989	S	*	9/2011	Guccione et al.	D13/108

D656,097	S	*	3/2012	Nomi et al.	D13/108
D658,582	S	*	5/2012	Looi	D13/110
D680,067	S	*	4/2013	Nomi	D13/108
D682,199	S	*	5/2013	Rautiainen	D13/108
D687,377	S	*	8/2013	Huang et al.	D13/108
8,541,977	B2	*	9/2013	Hasegawa et al.	320/109
D692,375	S	*	10/2013	Mamane	D13/108
D692,826	S	*	11/2013	Aida et al.	D13/108
D697,473	S	*	1/2014	Guccione et al.	D13/108
D705,160	S	*	5/2014	Ormesher et al.	D13/108
2010/0289450	A1	*	11/2010	Kook	320/108
2011/0227536	A1	*	9/2011	Bourilkov et al.	320/112
2014/0152245	A1	*	6/2014	Choi et al.	320/108

* cited by examiner

Primary Examiner — Rosemary K Tarcza

(74) *Attorney, Agent, or Firm* — Stein IP, LLC

(57) **CLAIM**

The design of a wireless transmission apparatus for portable electronic device, as shown, and described.

DESCRIPTION

FIG. 1 is a perspective view of a wireless transmission apparatus for portable electronic device;
 FIG. 2 is a front view of the wireless transmission apparatus for portable electronic device of FIG. 1;
 FIG. 3 is a rear view of the wireless transmission apparatus for portable electronic device of FIG. 1;
 FIG. 4 is a left side view of the wireless transmission apparatus for portable electronic device of FIG. 1;
 FIG. 5 is a right side view of the wireless transmission apparatus for portable electronic device of FIG. 1;
 FIG. 6 is a top view of the wireless transmission apparatus for portable electronic device of FIG. 1; and,
 FIG. 7 is a bottom view of the wireless transmission apparatus for portable electronic device of FIG. 1.

1 Claim, 7 Drawing Sheets

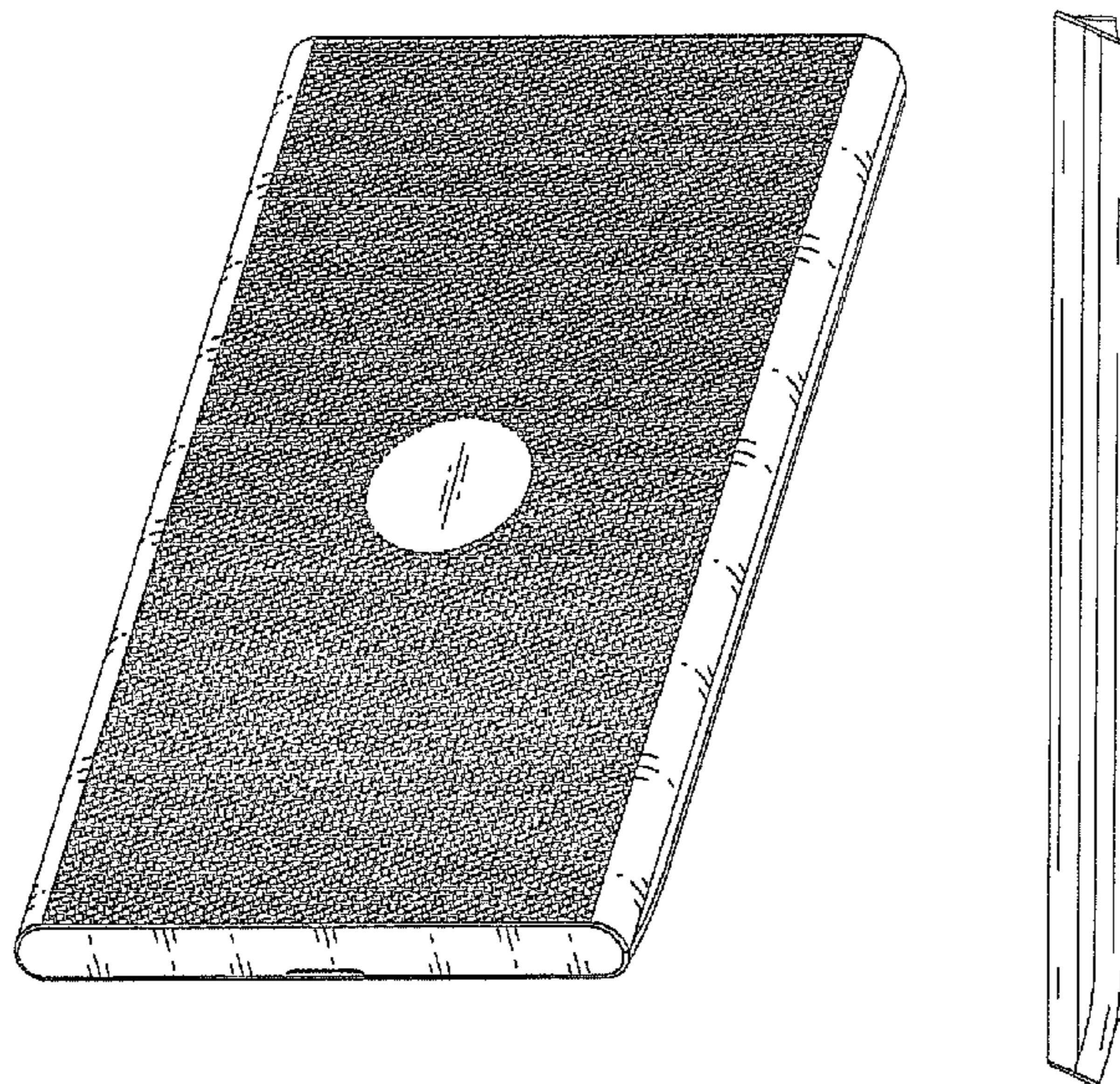


FIG. 1

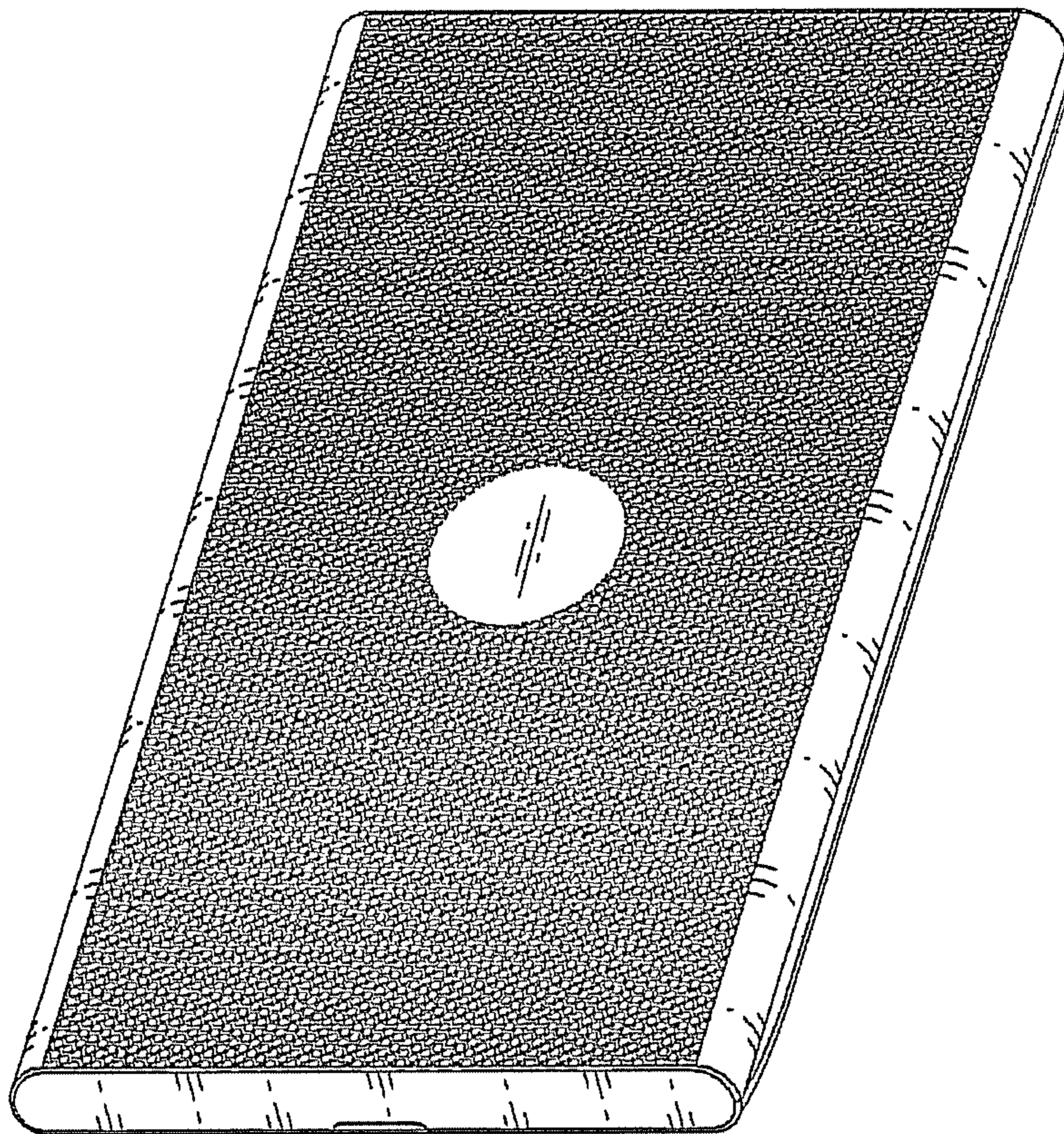


FIG. 2

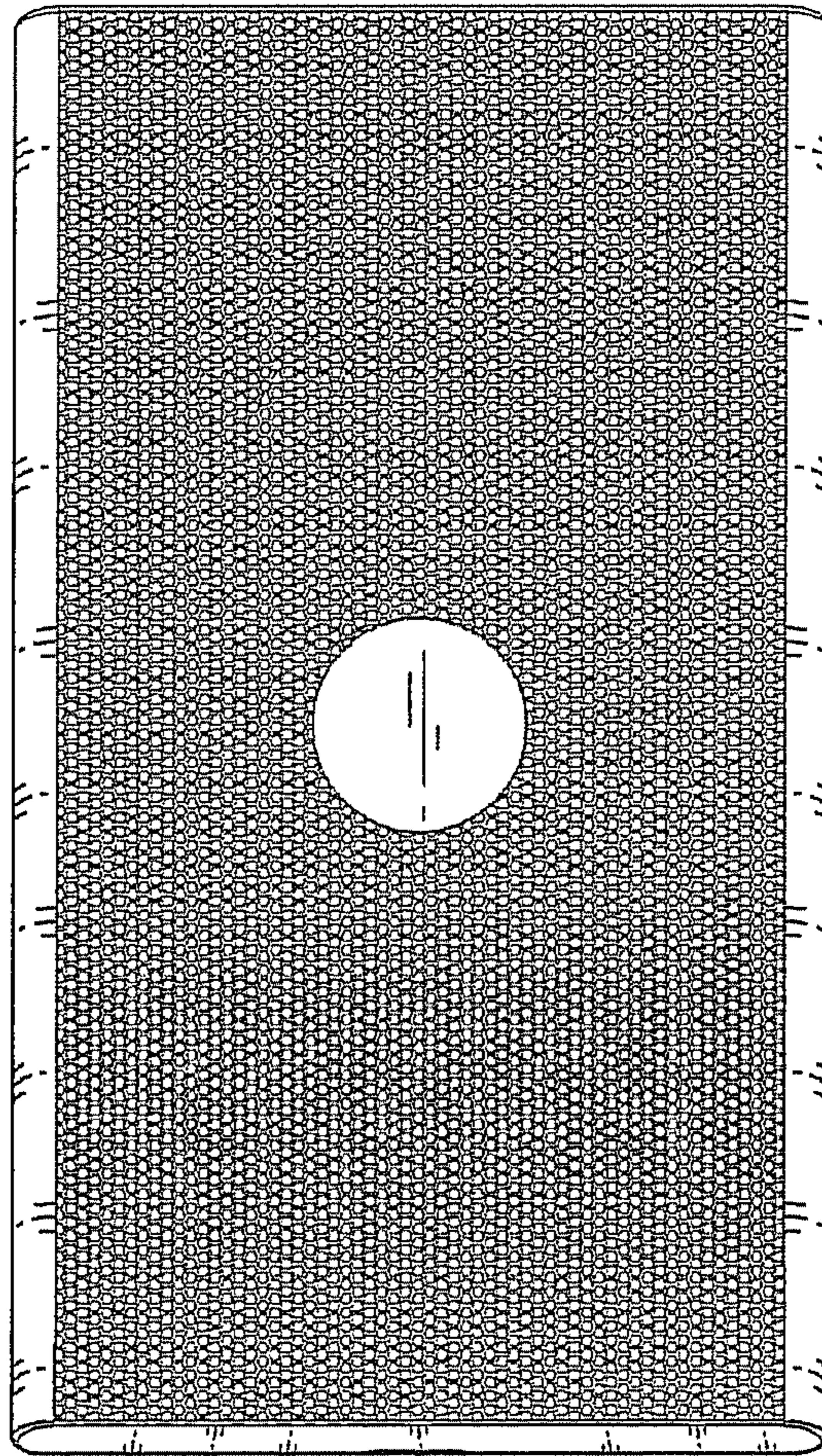


FIG. 3

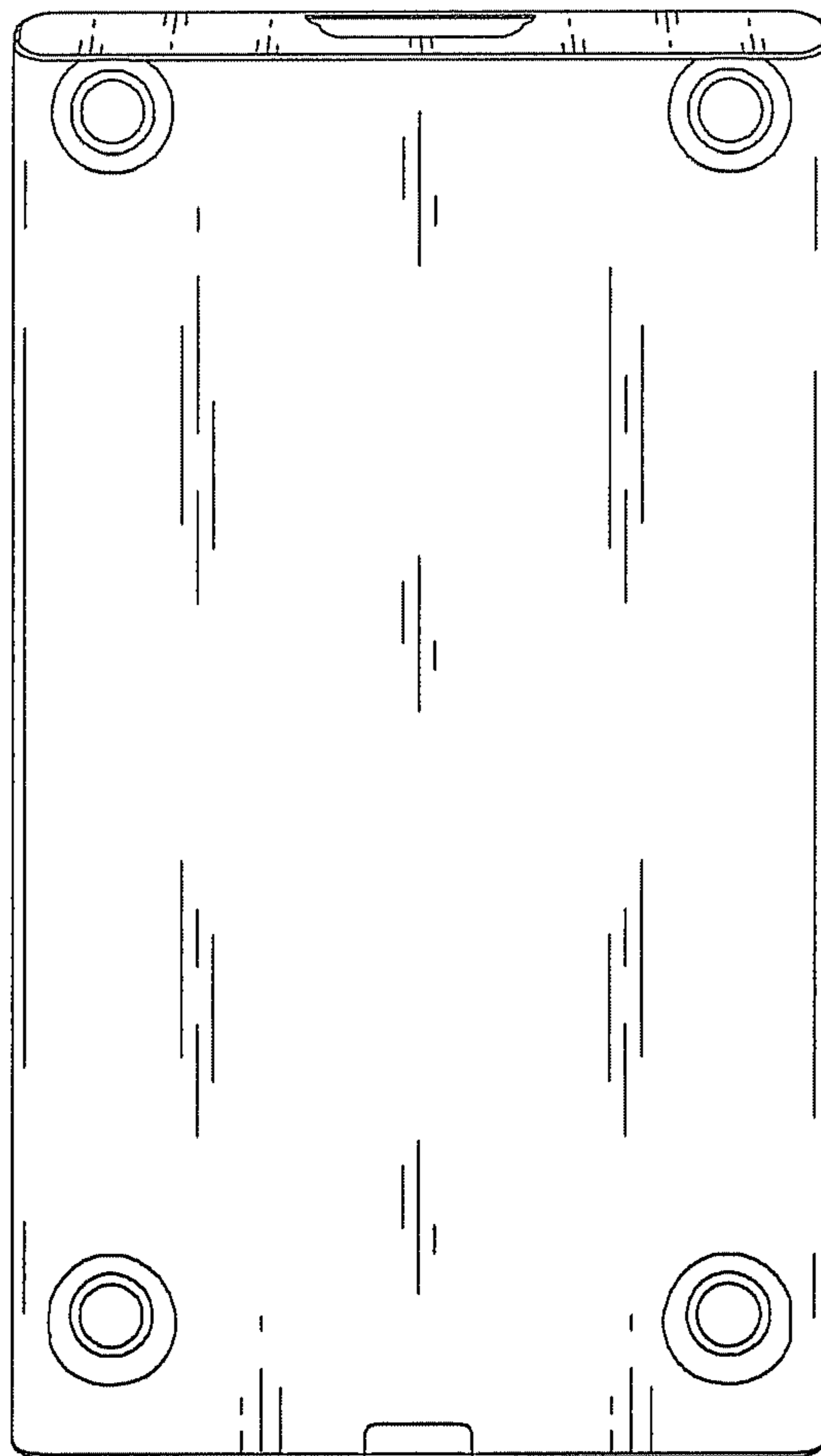


FIG. 4



FIG. 5



FIG. 6



FIG. 7

