



US00D719505S

(12) **United States Design Patent**  
**Kim et al.**

(10) **Patent No.:** **US D719,505 S**

(45) **Date of Patent:** **\*\* Dec. 16, 2014**

(54) **WIRELESS CHARGER**

(56) **References Cited**

(71) Applicant: **Samsung Electronics Co., Ltd.**,  
Suwon-si, Gyeonggi-do (KR)  
(72) Inventors: **Min-Geun Kim**, Goyang-Si (KR);  
**Haruo Hayashi**, Seoul (KR)  
(73) Assignee: **Samsung Electronics Co., Ltd.**,  
Suwon-si (KR)

U.S. PATENT DOCUMENTS

D479,709	S	*	9/2003	Cocks et al.	.....	D13/184
D530,717	S	*	10/2006	Mori et al.	.....	D14/434
D546,280	S	*	7/2007	Marchetto et al.	.....	D13/107
D578,961	S	*	10/2008	Fisher et al.	.....	D13/108
D609,707	S	*	2/2010	Lee	.....	D14/434
D656,097	S	*	3/2012	Nomi et al.	.....	D13/108
D660,840	S	*	5/2012	Chen	.....	D14/434
D680,067	S	*	4/2013	Nomi	.....	D13/108
2006/0043927	A1	*	3/2006	Beart et al.	.....	320/108
2012/0098484	A1	*	4/2012	Cheng et al.	.....	320/108

(\*\*) Term: **14 Years**

\* cited by examiner

(21) Appl. No.: **29/446,906**

*Primary Examiner* — Rosemary K Tarcza  
(74) *Attorney, Agent, or Firm* — NSIP Law

(22) Filed: **Feb. 28, 2013**

(57) **CLAIM**  
The ornamental design for a wireless charger, as shown and described.

(30) **Foreign Application Priority Data**

**DESCRIPTION**

Aug. 28, 2012 (KR) ..... 30-2012-0041123

(51) **LOC (10) Cl.** ..... **13-02**

(52) **U.S. Cl.**  
USPC ..... **D13/108**

(58) **Field of Classification Search**  
USPC ..... D13/107–110, 118–119, 184, 199;  
D14/217, 251, 253, 432, 434;  
320/107–115

FIG. 1 is a front perspective view of a wireless charger;  
FIG. 2 is a front view of the wireless charger of FIG. 1;  
FIG. 3 is a rear view of the wireless charger of FIG. 1;  
FIG. 4 is a left-side view of the wireless charger of FIG. 1;  
FIG. 5 is a right-side view of the wireless charger of FIG. 1;  
FIG. 6 is a top plan view of the wireless charger of FIG. 1;  
FIG. 7 is a bottom plan view of the wireless charger of FIG. 1;  
and,  
FIG. 8 is a rear perspective view of the wireless charger of FIG. 1.

See application file for complete search history.

**1 Claim, 6 Drawing Sheets**

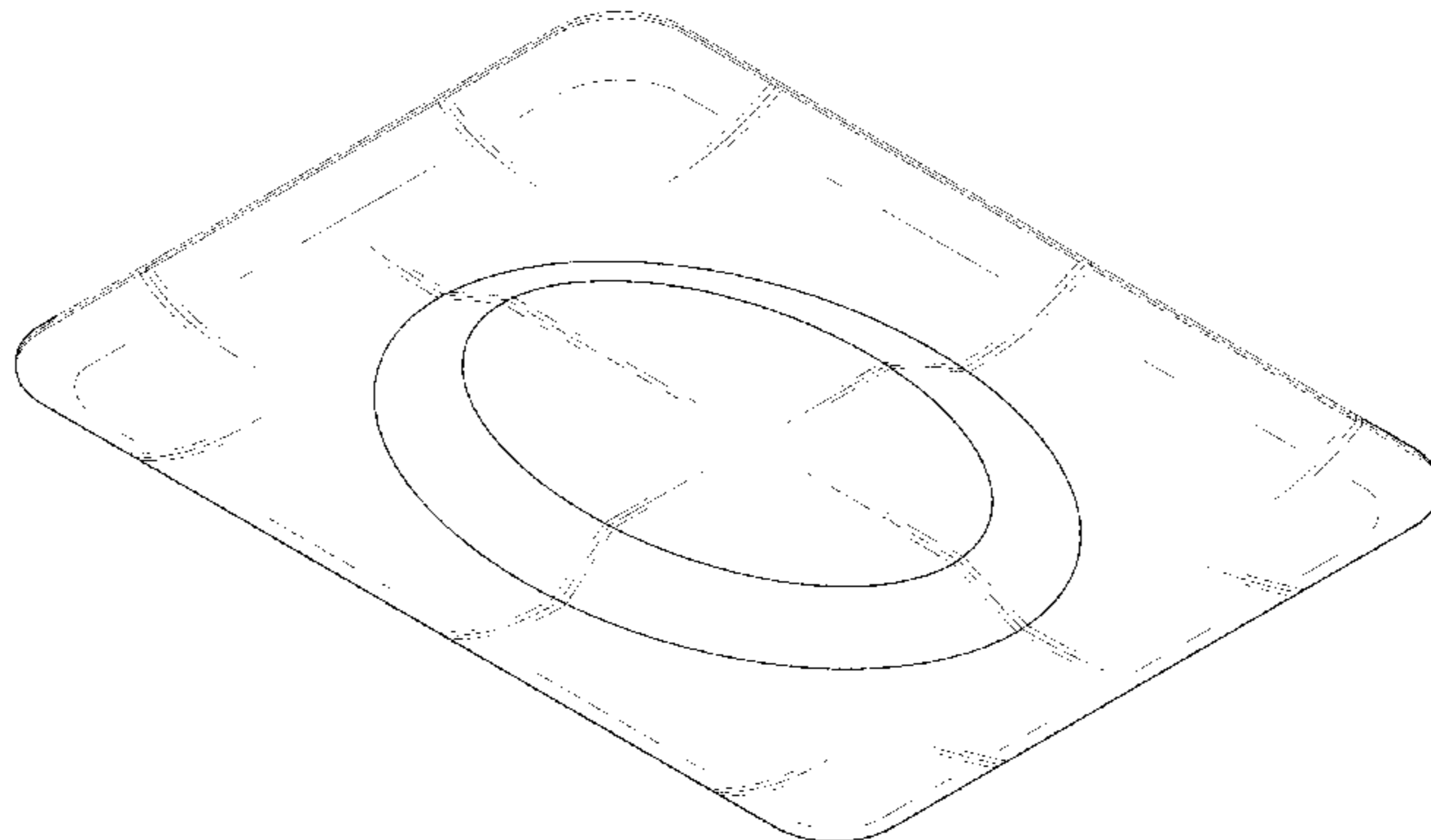
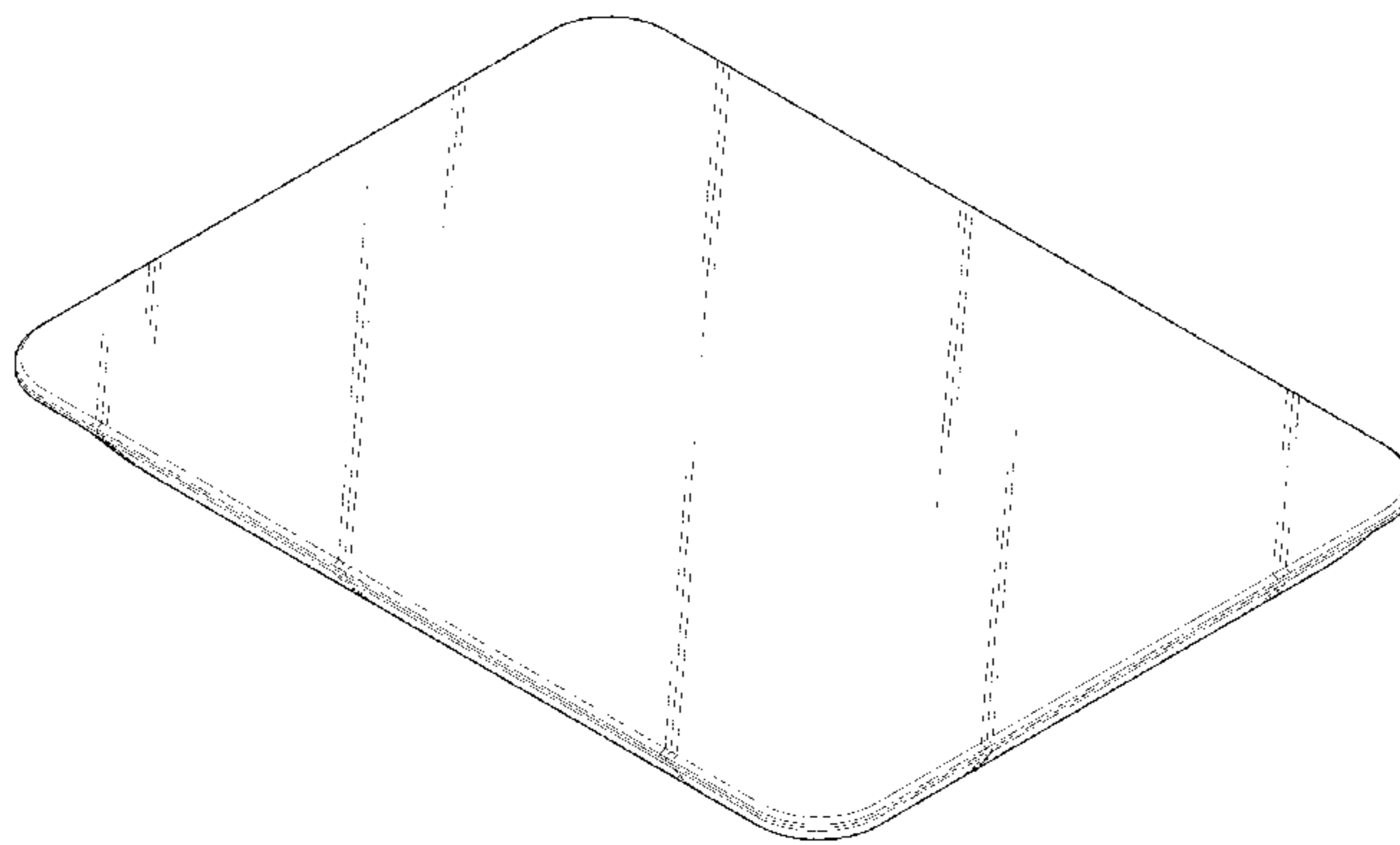


FIG. 1

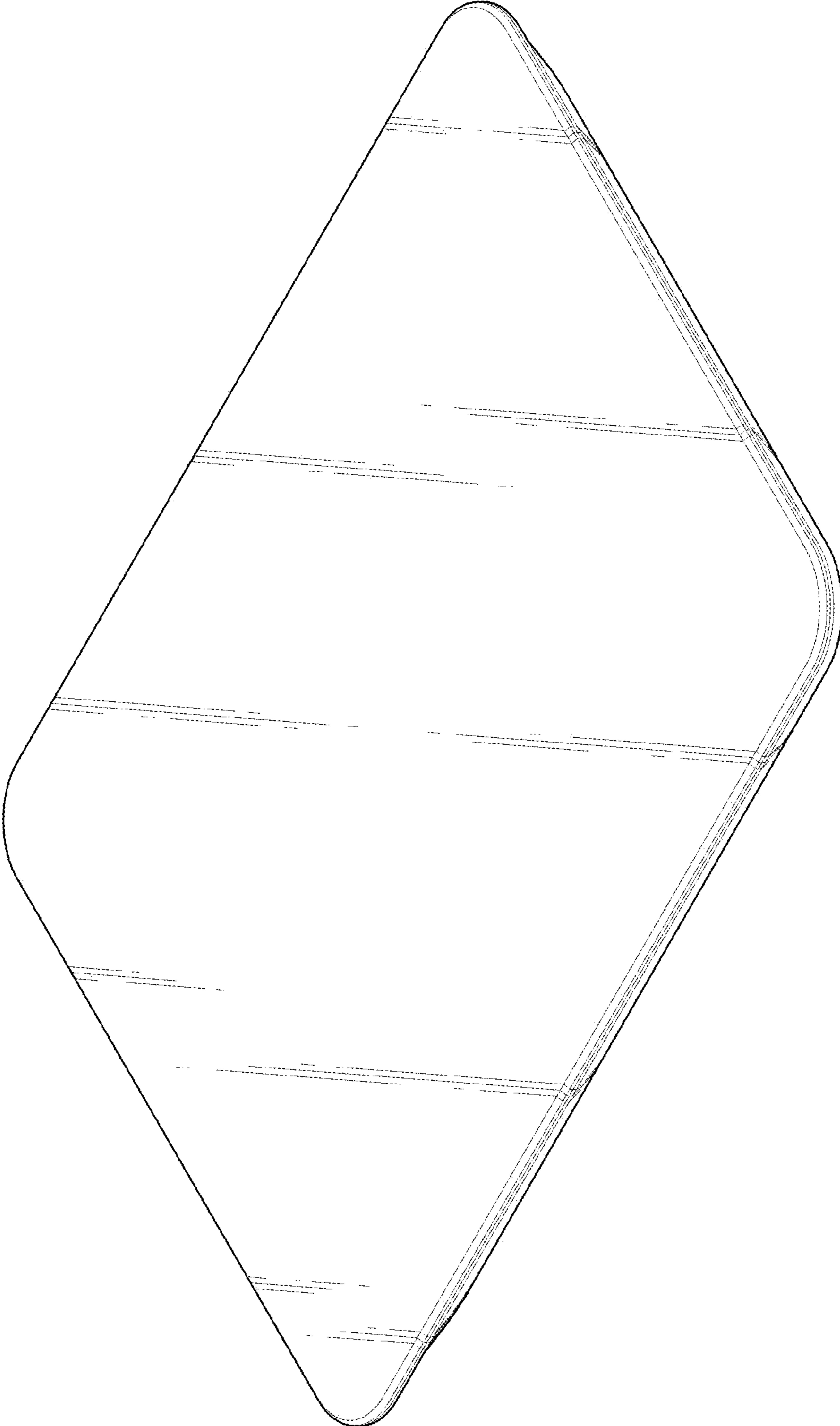


FIG. 2



FIG. 3

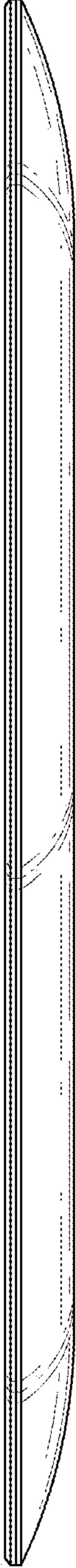


FIG. 4

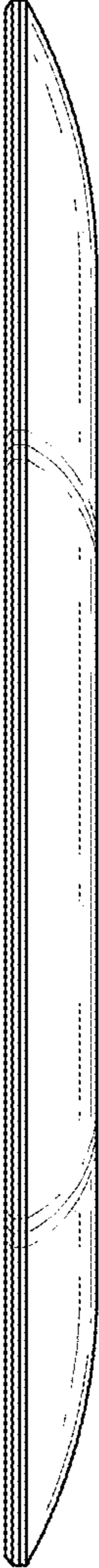


FIG. 5

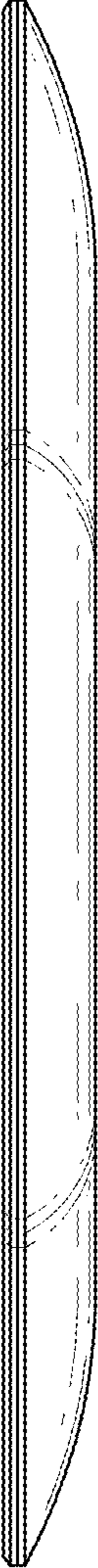


FIG. 6

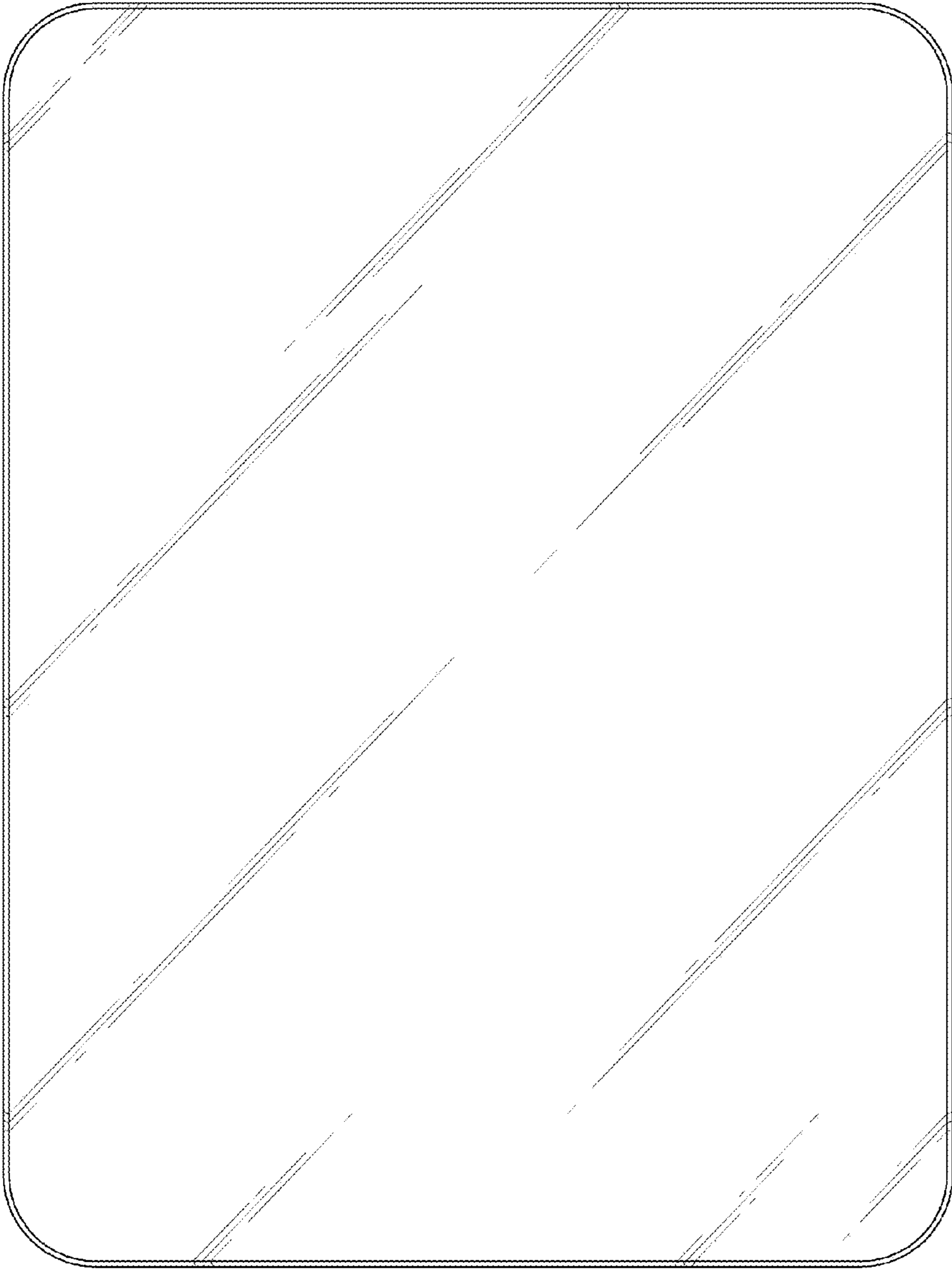


FIG. 7

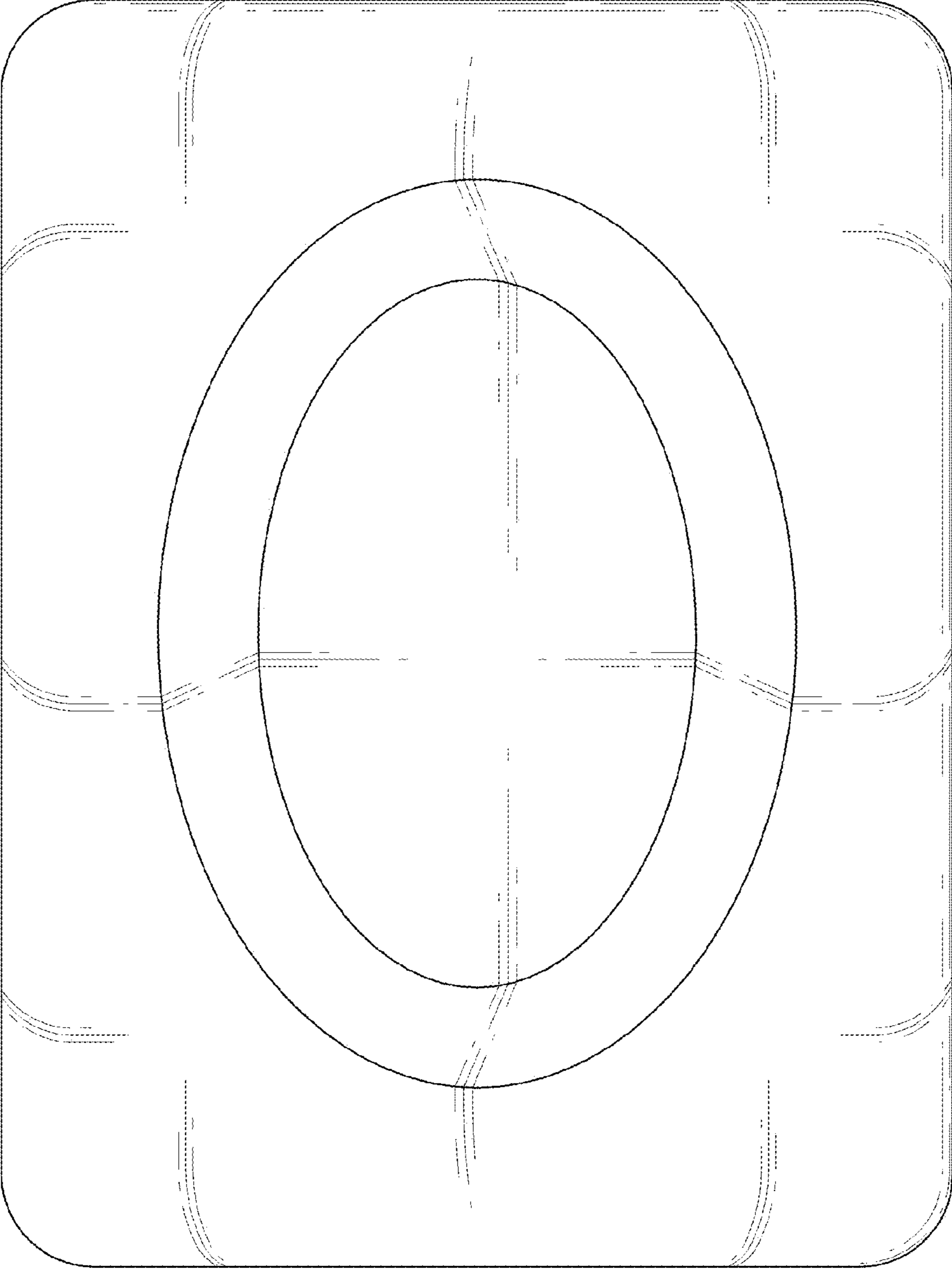


FIG. 8

