



US00D719504S

(12) **United States Design Patent**
Zsolcsak et al.

(10) **Patent No.:** **US D719,504 S**
(45) **Date of Patent:** **** Dec. 16, 2014**

(54) **BATTERY PACK FOR AN INSOLE**

FOREIGN PATENT DOCUMENTS

(71) Applicant: **Schawbel Technologies LLC**, Bedford, MA (US)

CN 2281677 5/1998
CN 2515992 Y 10/2002

(Continued)

(72) Inventors: **Veronica M. Zsolcsak**, Newburyport, MA (US); **Micha Eizen**, Lake Forest, CA (US); **Thomas John William Bayes**, Rothwell (GB); **Ian Nicholson Whitehead**, Concord, MA (US)

OTHER PUBLICATIONS

International Search Report and Written Opinion mailed on Sep. 3, 2014, for International Patent Application No. PCT/US2014/033499, filed Apr. 9, 2014, (10 pages).

(73) Assignee: **Schawbel Technologies LLC**, Bedford, MA (US)

(Continued)

(**) Term: **14 Years**

Primary Examiner — Rosemary K Tarca

(74) *Attorney, Agent, or Firm* — Brown Rudnick LLP

(21) Appl. No.: **29/487,528**

(22) Filed: **Apr. 9, 2014**

(51) **LOC (10) Cl.** **13-02**

(52) **U.S. Cl.**
USPC **D13/103**

(58) **Field of Classification Search**
USPC D13/102–104, 110, 118–121, 184, 199;
429/96–100, 163, 176; 320/107;
219/211

See application file for complete search history.

(56) **References Cited**

U.S. PATENT DOCUMENTS

3,360,633	A	12/1967	Weisberger	
3,800,133	A	3/1974	Duval	
4,507,877	A	4/1985	Vaccari et al.	
4,665,301	A	5/1987	Bondy	
4,823,482	A	4/1989	Lakic	
D303,524	S *	9/1989	Siegner et al. D14/438
4,894,931	A	1/1990	Senee et al.	
4,910,881	A	3/1990	Baggio et al.	
5,041,717	A	8/1991	Shay, III et al.	

(Continued)

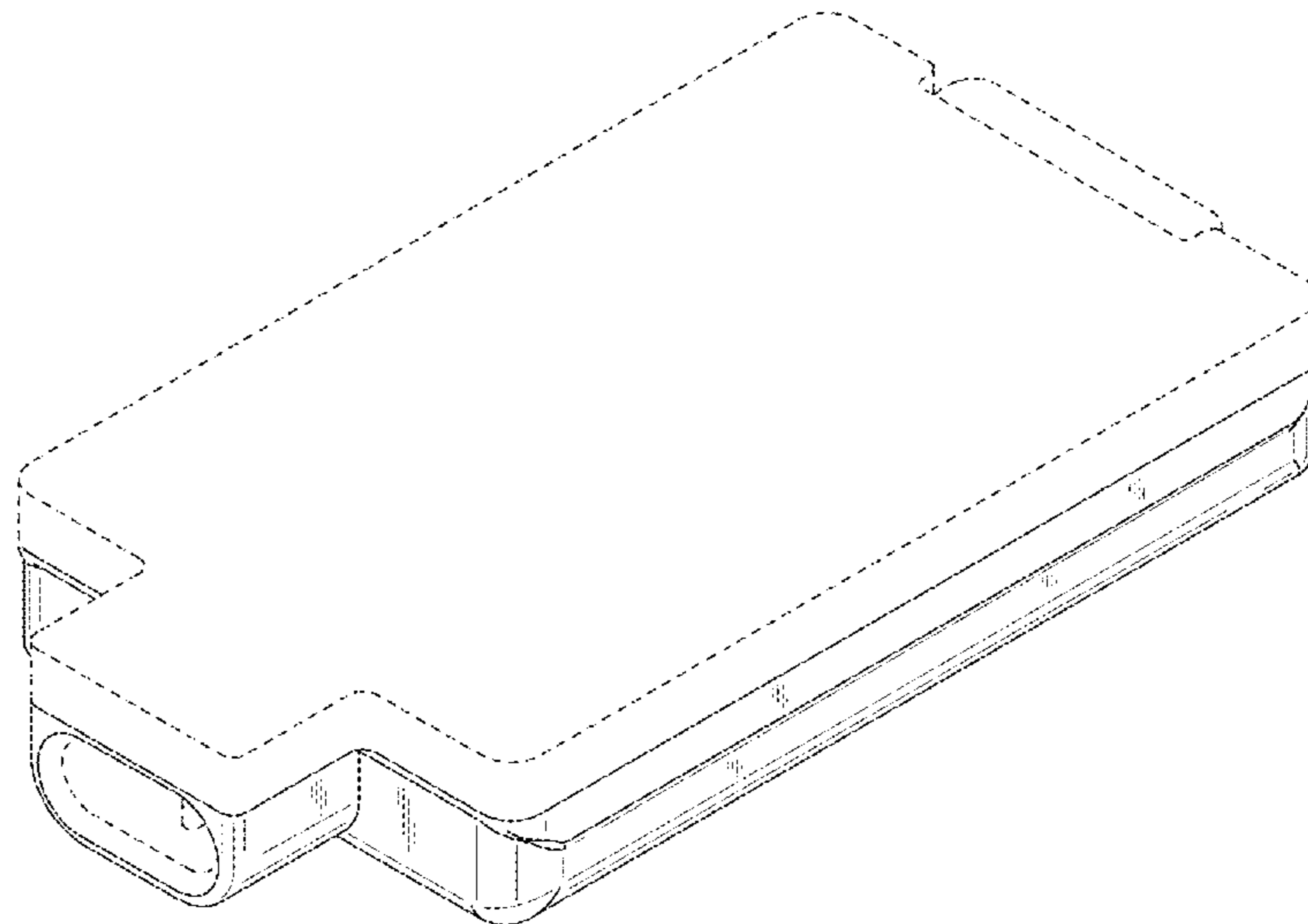
(57) **CLAIM**

The ornamental design for a battery pack for an insole, as shown and described.

DESCRIPTION

FIG. 1 illustrates a top front perspective view of an embodiment of a battery pack for an insole employing an ornamental design in accordance with the present invention; FIG. 2 illustrates a top view of the battery pack of FIG. 1; FIG. 3 illustrates a bottom view of the battery pack of FIG. 1; FIG. 4 illustrates a first side view the battery pack of FIG. 1; FIG. 5 illustrates a second side view of the battery pack of FIG. 1, wherein the second side view is opposite of the first side view; FIG. 6 illustrates a front view of the battery pack of FIG. 1; and, FIG. 7 illustrates a back view of the battery pack of FIG. 1. The broken lines are included for the purpose of illustrating unclaimed portions of the battery pack for an insole and form no part of the claimed design.

1 Claim, 5 Drawing Sheets



(56)

References Cited

U.S. PATENT DOCUMENTS

5,230,170 A 7/1993 Dahle
 5,495,682 A * 3/1996 Chen 36/2.6
 5,623,772 A 4/1997 Sunderland et al.
 5,882,106 A 3/1999 Galli
 5,956,866 A 9/1999 Spears
 D432,493 S * 10/2000 Killebrew et al. D13/103
 D486,789 S * 2/2004 Santiago D13/119
 6,701,639 B2 3/2004 Treptow et al.
 6,841,757 B2 1/2005 Marega et al.
 6,865,825 B2 3/2005 Bailey, Sr. et al.
 D528,075 S * 9/2006 Sugeno et al. D13/119
 D533,832 S * 12/2006 Hock D13/103
 D538,225 S * 3/2007 Lyman et al. D13/119
 D538,226 S * 3/2007 Lyman et al. D13/119
 D546,277 S * 7/2007 Andre et al. D13/103
 D637,552 S * 5/2011 Inman et al. D13/103
 7,985,502 B2 7/2011 Abe et al.
 D642,517 S * 8/2011 Inman et al. D13/103
 8,074,373 B2 12/2011 Macher et al.
 D654,429 S * 2/2012 Li et al. D13/103
 D685,729 S * 7/2013 Lyman D13/103
 8,510,969 B2 * 8/2013 Luo 36/2.6
 D689,019 S * 9/2013 Sato et al. D13/103
 D694,176 S * 11/2013 Buetow et al. D13/103
 D699,178 S * 2/2014 Ashida et al. D13/103
 D699,179 S * 2/2014 Alexander D13/103
 D700,135 S * 2/2014 Sato et al. D13/103
 2003/0114902 A1 6/2003 Prescott
 2005/0126049 A1 6/2005 Koenig
 2007/0039201 A1 2/2007 Axinte
 2008/0016715 A1 1/2008 Vickroy
 2008/0069524 A1 3/2008 Yamauchi et al.
 2008/0083720 A1 4/2008 Gentile et al.
 2008/0197126 A1 8/2008 Bourke et al.

2009/0013554 A1 1/2009 Macher et al.
 2010/0192406 A1 8/2010 Au
 2011/0107771 A1 5/2011 Crist et al.
 2013/0174451 A1 7/2013 Kremer et al.
 2013/0181662 A1 7/2013 Shapiro
 2013/0244074 A1 9/2013 Kremer et al.
 2014/0182163 A1 * 7/2014 Krupenkin et al. 36/2.6

FOREIGN PATENT DOCUMENTS

CN 201976877 U 9/2011
 DE 20317143 U1 4/2004
 DE 10352050 A1 12/2004
 DE 102008029727 A1 12/2009
 EP 2215918 A2 8/2010
 KR 20-0273770 4/2002
 WO 2006/111823 A1 10/2006
 WO 2008/006731 A1 1/2008
 WO 2008/069524 A1 6/2008
 WO 2013101920 A1 7/2013

OTHER PUBLICATIONS

International Search Report and Written Opinion for International application No. PCT/US12/23986 filed Feb. 2, 2012 and mailed on May 23, 2012, (7 pages).
 International Search Report and Written Opinion mailed on Apr. 22, 2013, for International Patent Application No. PCT/US2012/071797, filed Dec. 27, 2012, (9 pages).
 Kenisarin et al., 2007, Solar energy storage using phase change materials, Renewable and Sustainable Energy Reviews, 11(9):1913-1965.
 Sharma et al., 2009, Review on thermal energy storage with phase change materials and applications, Renewable and Sustainable Energy Reviews, 13(2):318-345.

* cited by examiner

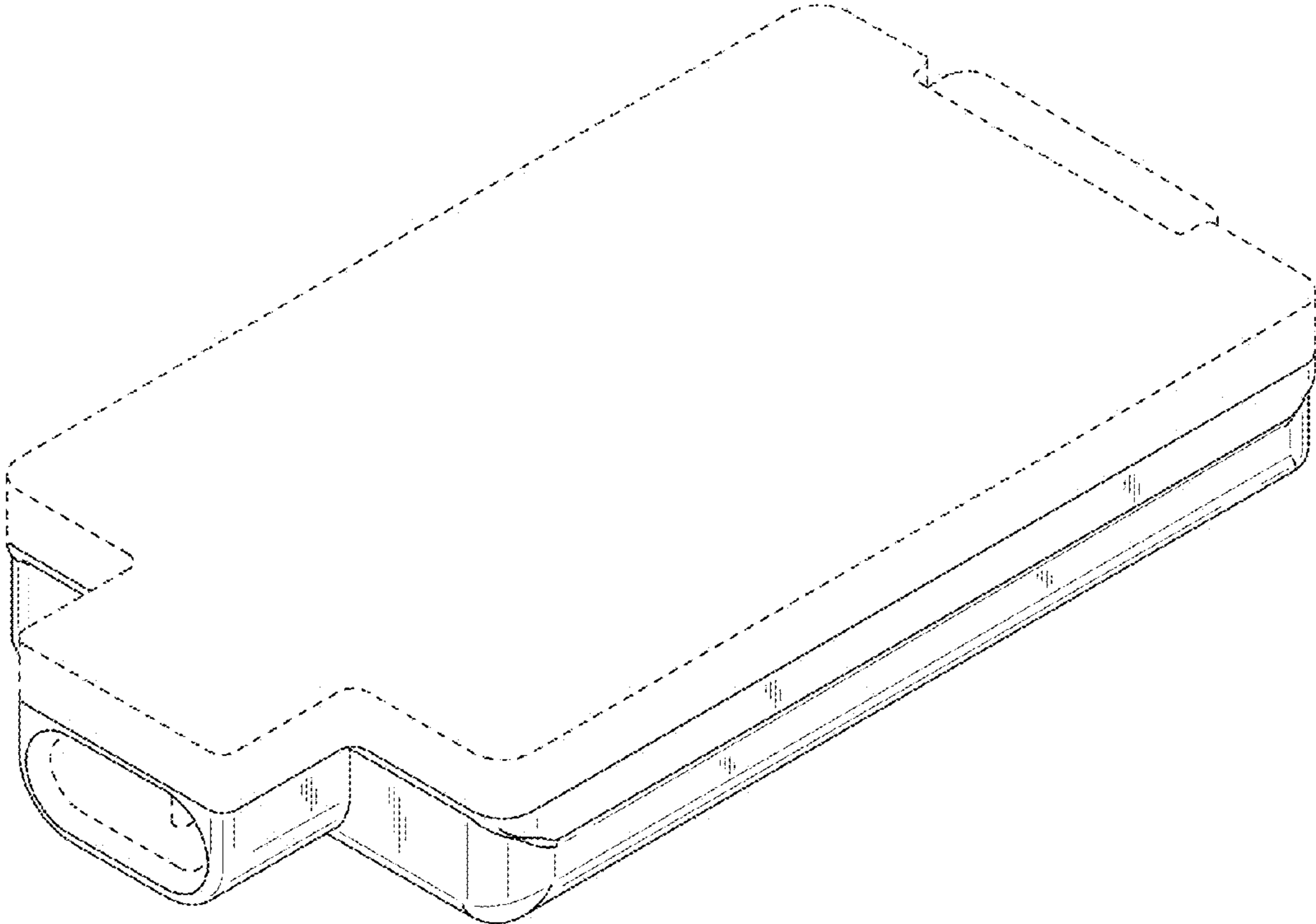


FIG.1



FIG.2

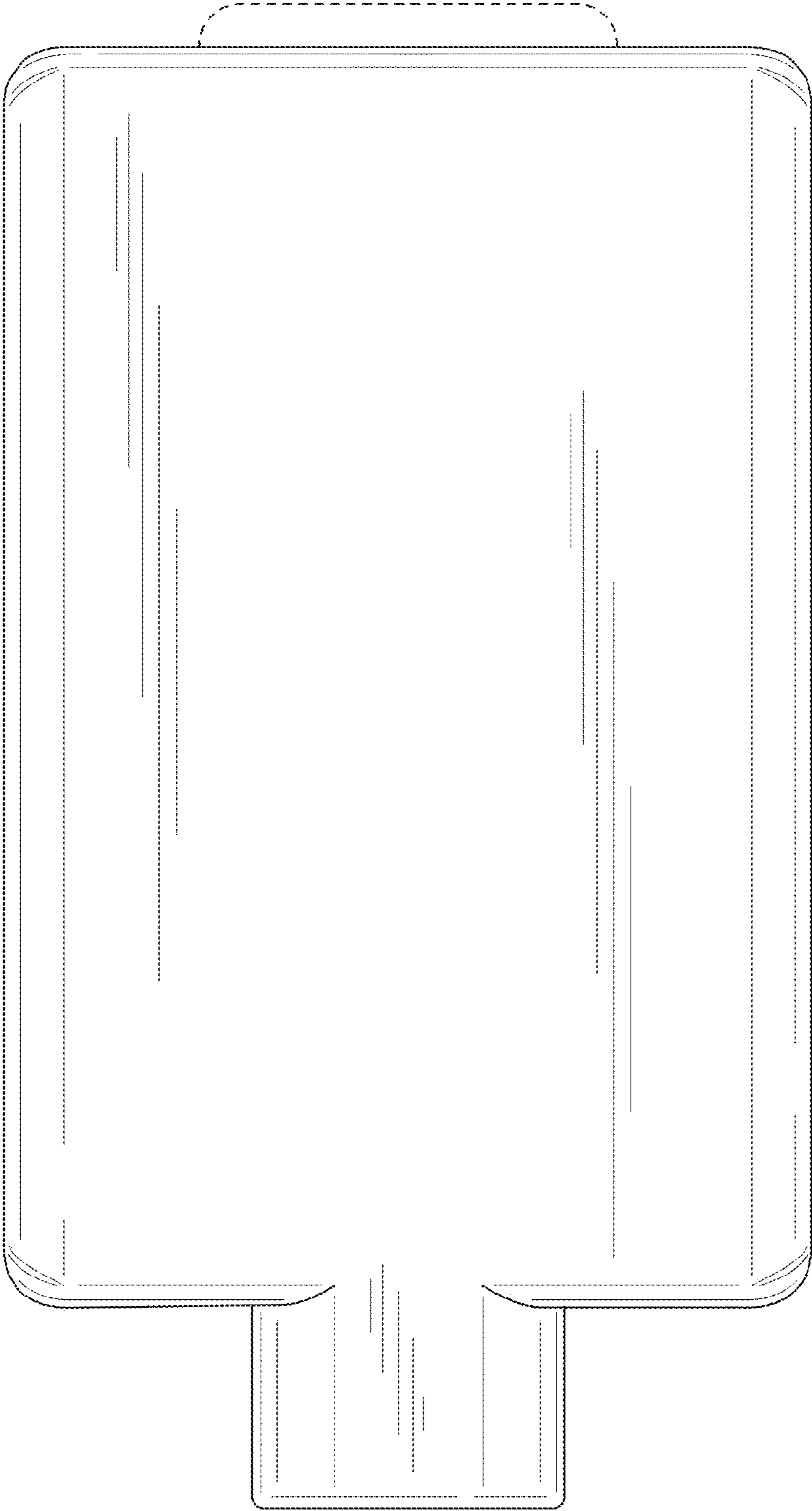


FIG.3

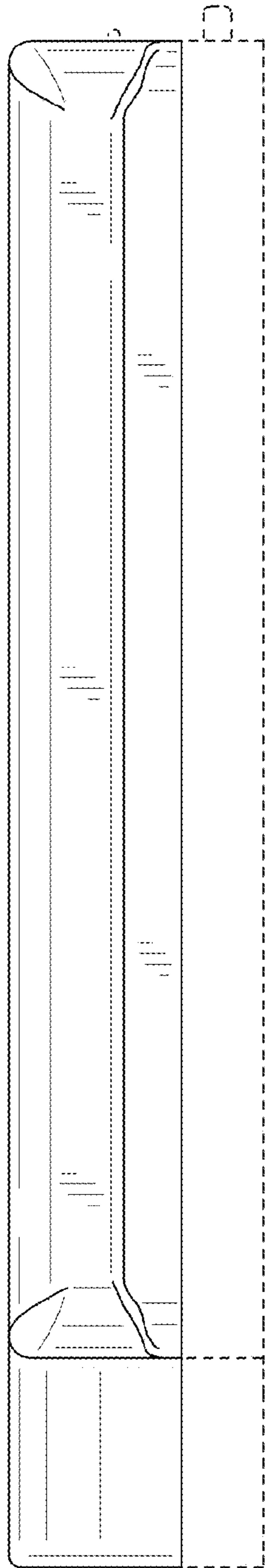


FIG. 4

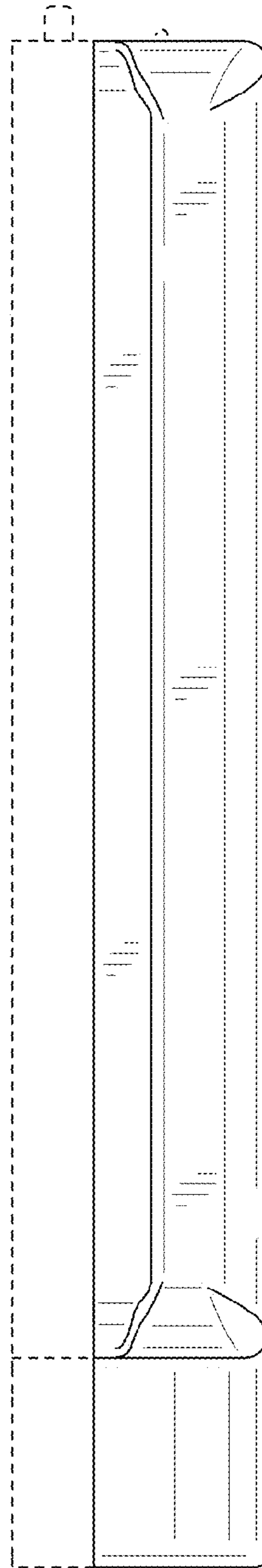


FIG. 5

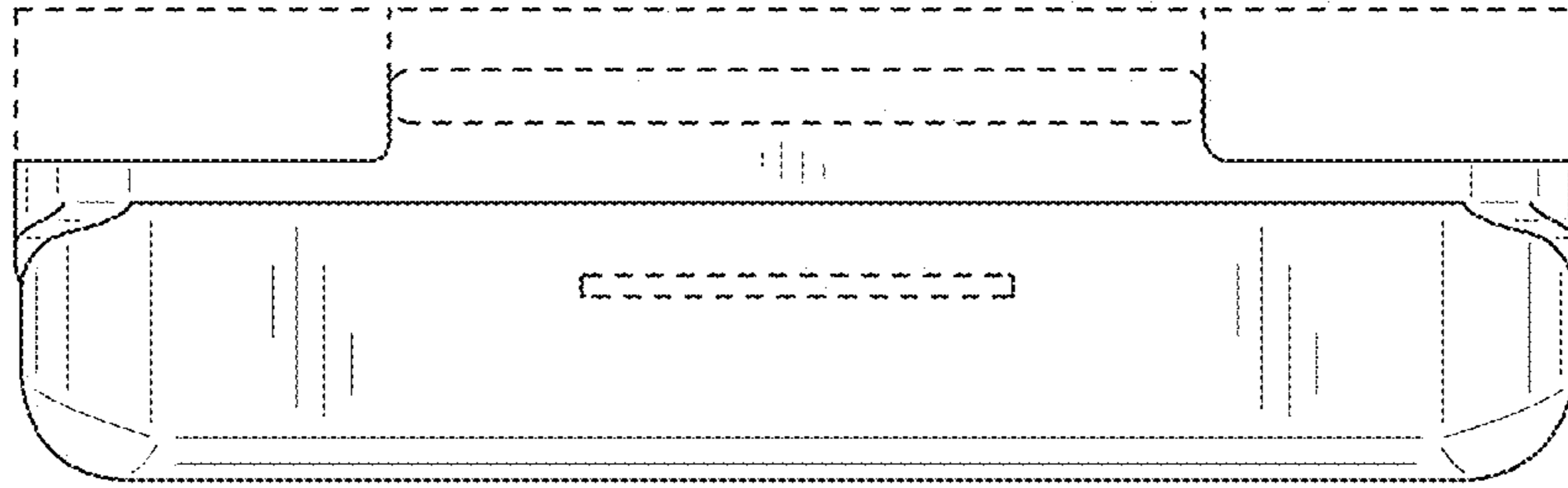


FIG. 6

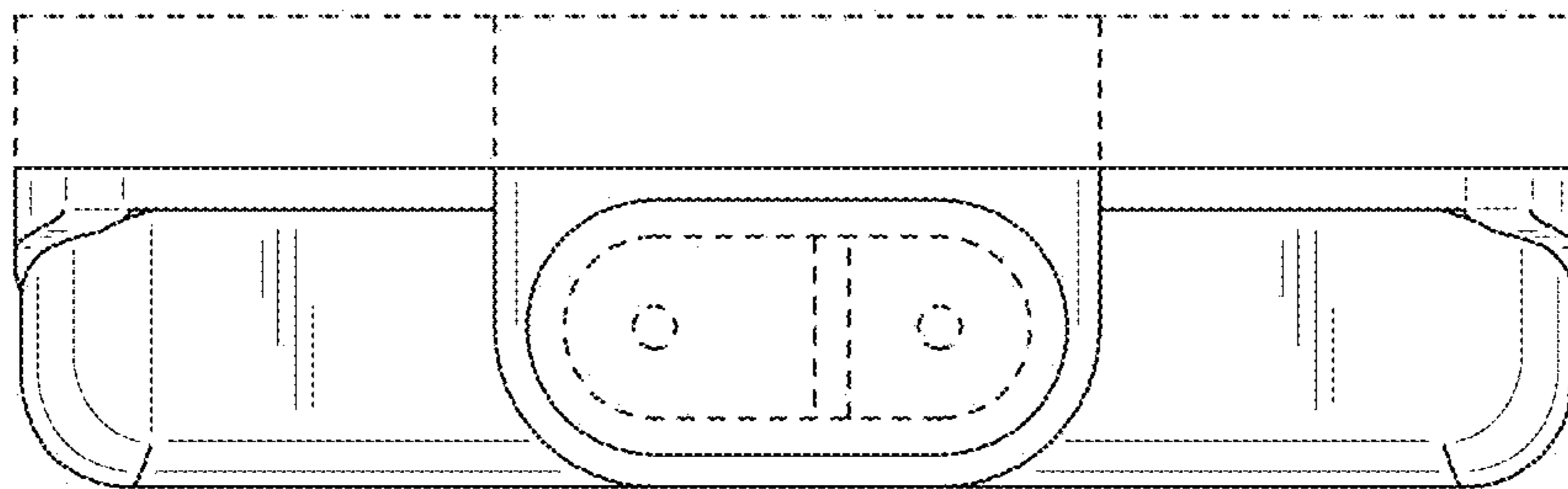


FIG. 7