



US00D719503S

(12) **United States Design Patent**  
**Kouyanagi et al.**

(10) **Patent No.:** **US D719,503 S**

(45) **Date of Patent:** **\*\* Dec. 16, 2014**

(54) **SOLAR BATTERY AFFIXING FRAME**

*Primary Examiner* — Derrick Holland

(71) Applicant: **SANYO Electric Co., Ltd.**,  
Moriguchi-shi, Osaka (JP)

(74) *Attorney, Agent, or Firm* — Westerman, Hattori,  
Daniels & Adrian, LLP

(72) Inventors: **Masao Kouyanagi**, Izumiotsu (JP);  
**Shingo Okamoto**, Toyonaka (JP)

(57) **CLAIM**

(73) Assignee: **SANYO Electric Co., Ltd.**,  
Moriguchi-shi (JP)

The ornamental design for a solar battery affixing frame, as  
shown and described.

(\*\*) Term: **14 Years**

(21) Appl. No.: **29/455,621**

**DESCRIPTION**

(22) Filed: **May 22, 2013**

(30) **Foreign Application Priority Data**

Nov. 22, 2012 (JP) ..... 2012-028617

(51) **LOC (10) Cl.** ..... **13-02**

(52) **U.S. Cl.**  
USPC ..... **D13/102**

(58) **Field of Classification Search**  
USPC ..... D13/102, 101, 103, 107, 118, 184, 199;  
D25/60, 61, 156, 199; 52/74, 78,  
52/173.3; 126/569, 605, 606, 608,  
126/621-623; 136/206, 243-246, 251, 259;  
320/101

See application file for complete search history.

FIG. 1 is a perspective view of a first embodiment of a solar  
battery affixing frame showing our new design;

FIG. 2 is a top plan view thereof;

FIG. 3 is a bottom plan view thereof;

FIG. 4 is a front elevational view thereof, the rear elevational  
view being a mirror image thereof;

FIG. 5 is a right side elevational view thereof, the left side  
elevational view being a mirror image thereof;

FIG. 6 is a cross-sectional view thereof taken along lines 6-6  
of FIG. 2;

FIG. 7 is a cross-sectional view thereof taken along lines 7-7  
of FIG. 2;

FIG. 8 is a perspective view of a second embodiment of a solar  
battery affixing frame;

FIG. 9 is a top plan view thereof;

FIG. 10 is a bottom plan view thereof;

FIG. 11 is a front elevational view thereof, the rear elevational  
view being a mirror image thereof;

FIG. 12 is a right side elevational view thereof, the left side  
elevational view being a mirror image thereof;

FIG. 13 is a cross-sectional view thereof taken along lines  
13-13 of FIG. 9; and,

FIG. 14 is a cross-sectional view thereof taken along lines  
14-14 of FIG. 9.

The broken lines shown represent unclaimed subject matter  
and form no part of the claimed design. The dot-dash lines  
represent the boundaries between the claimed and unclaimed  
portions of the solar battery affixing frame.

(56) **References Cited**

U.S. PATENT DOCUMENTS

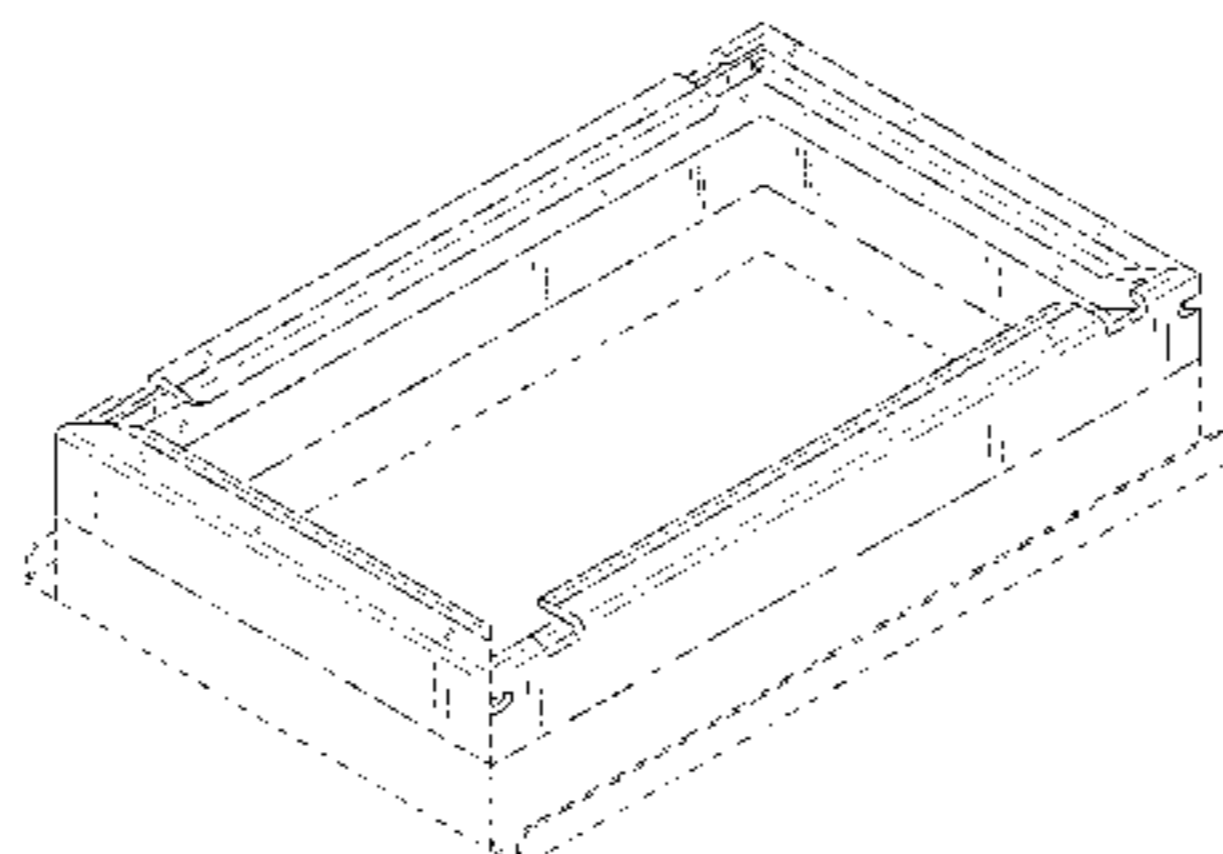
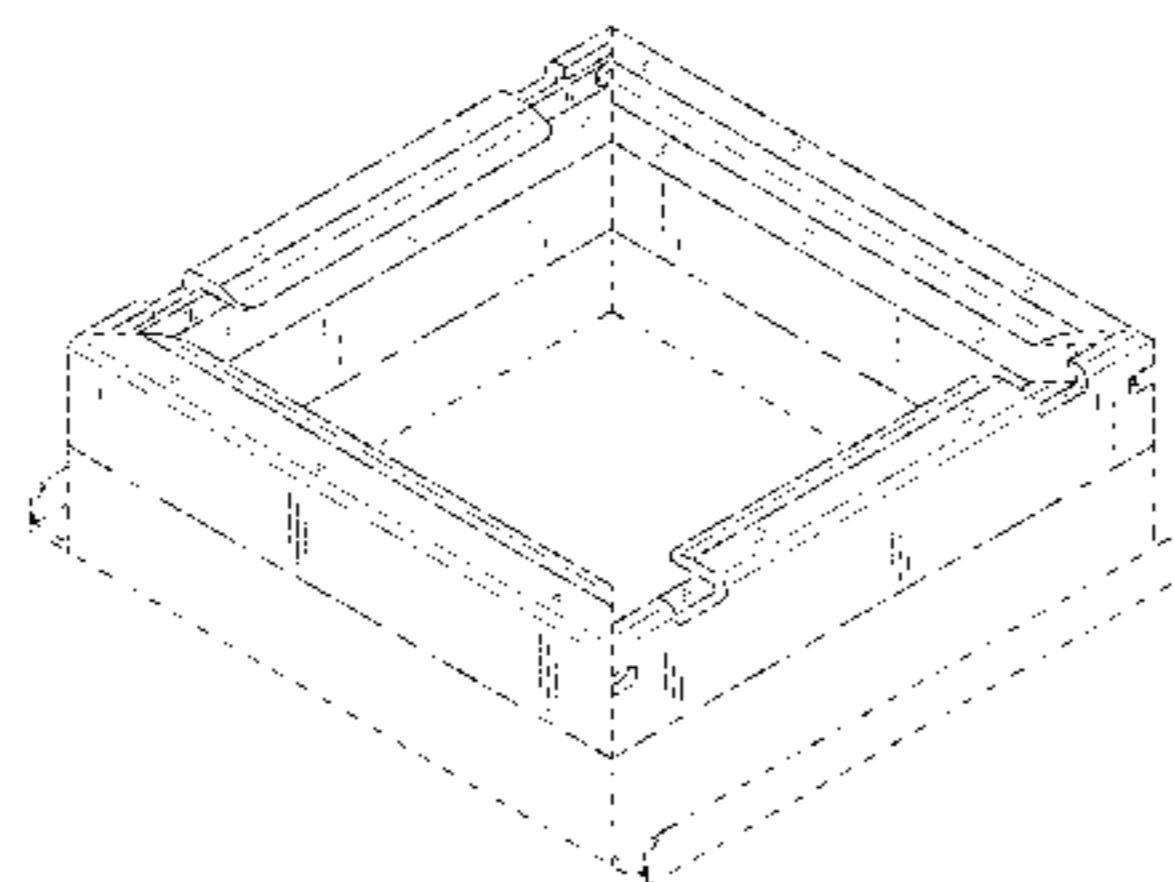
3,457,427 A \* 7/1969 Tarneja et al. .... 250/239  
D260,679 S \* 9/1981 Mayerovitch ..... D13/102  
6,528,718 B2 \* 3/2003 Yoda et al. .... 136/251  
D588,534 S \* 3/2009 Sharma et al. .... D13/102  
2004/0084078 A1 \* 5/2004 Yoshida et al. .... 136/251  
2008/0222988 A1 \* 9/2008 Lee ..... 52/588.1

FOREIGN PATENT DOCUMENTS

JP 2011453899 S 10/2012

\* cited by examiner

**1 Claim, 14 Drawing Sheets**



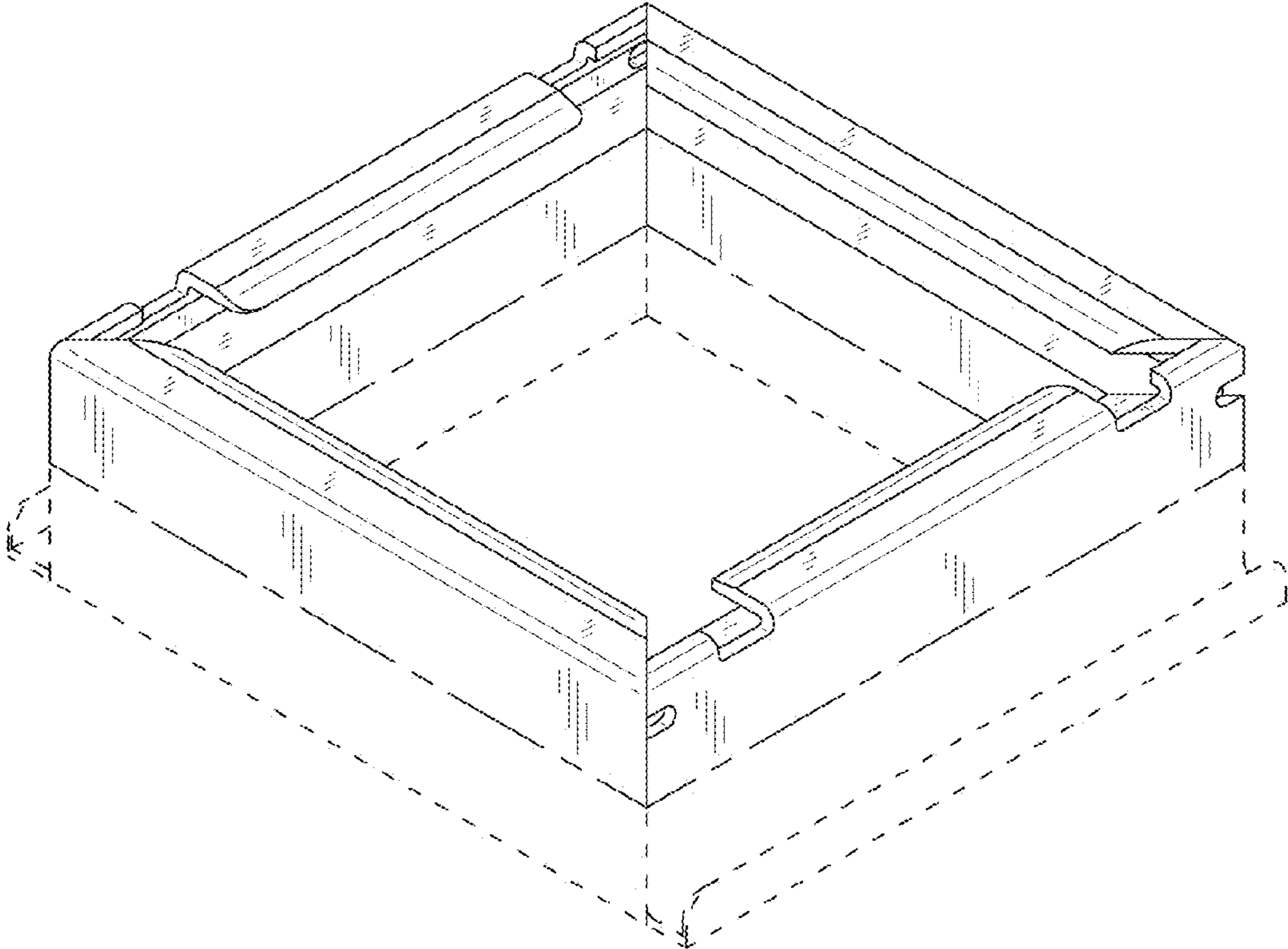


FIG.1

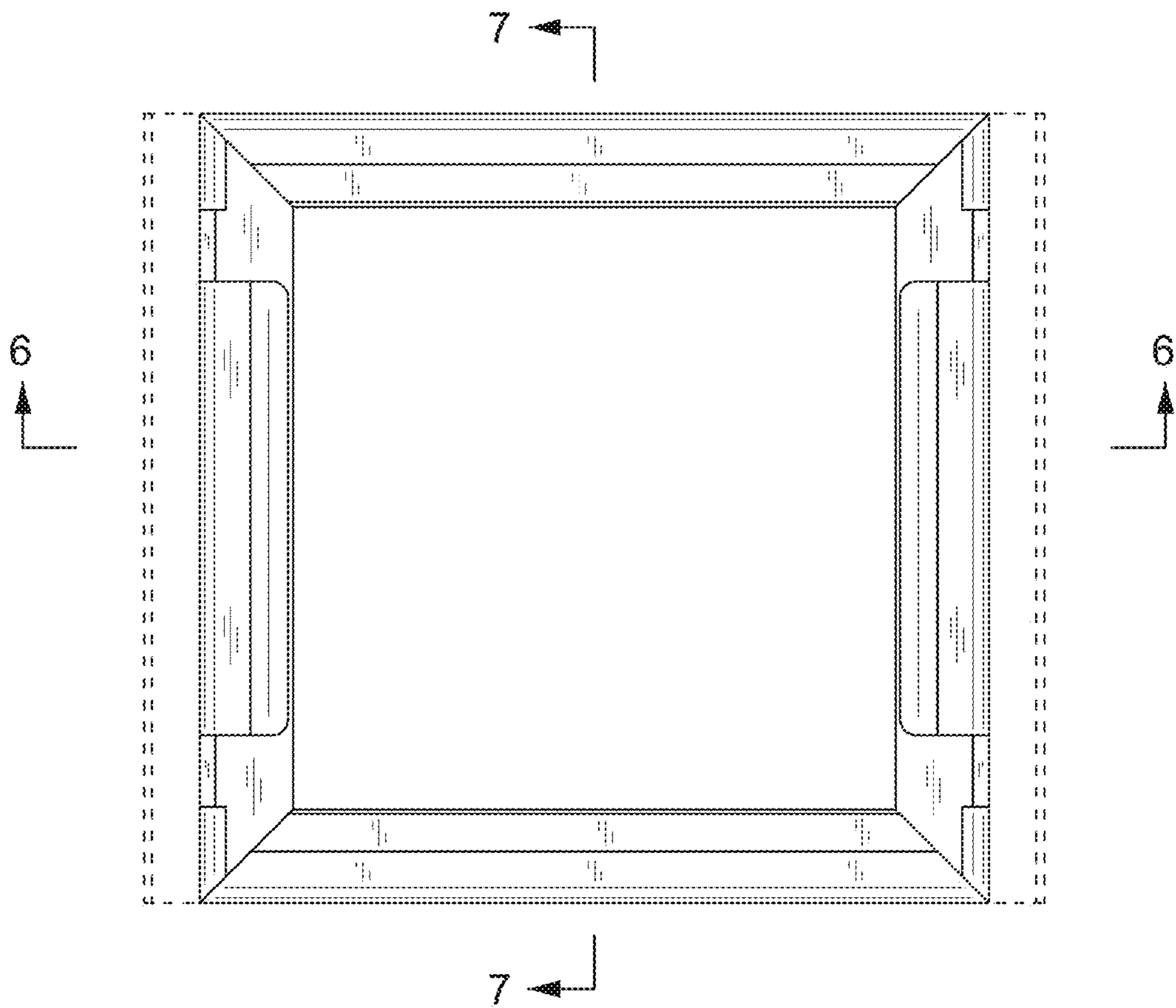


FIG.2

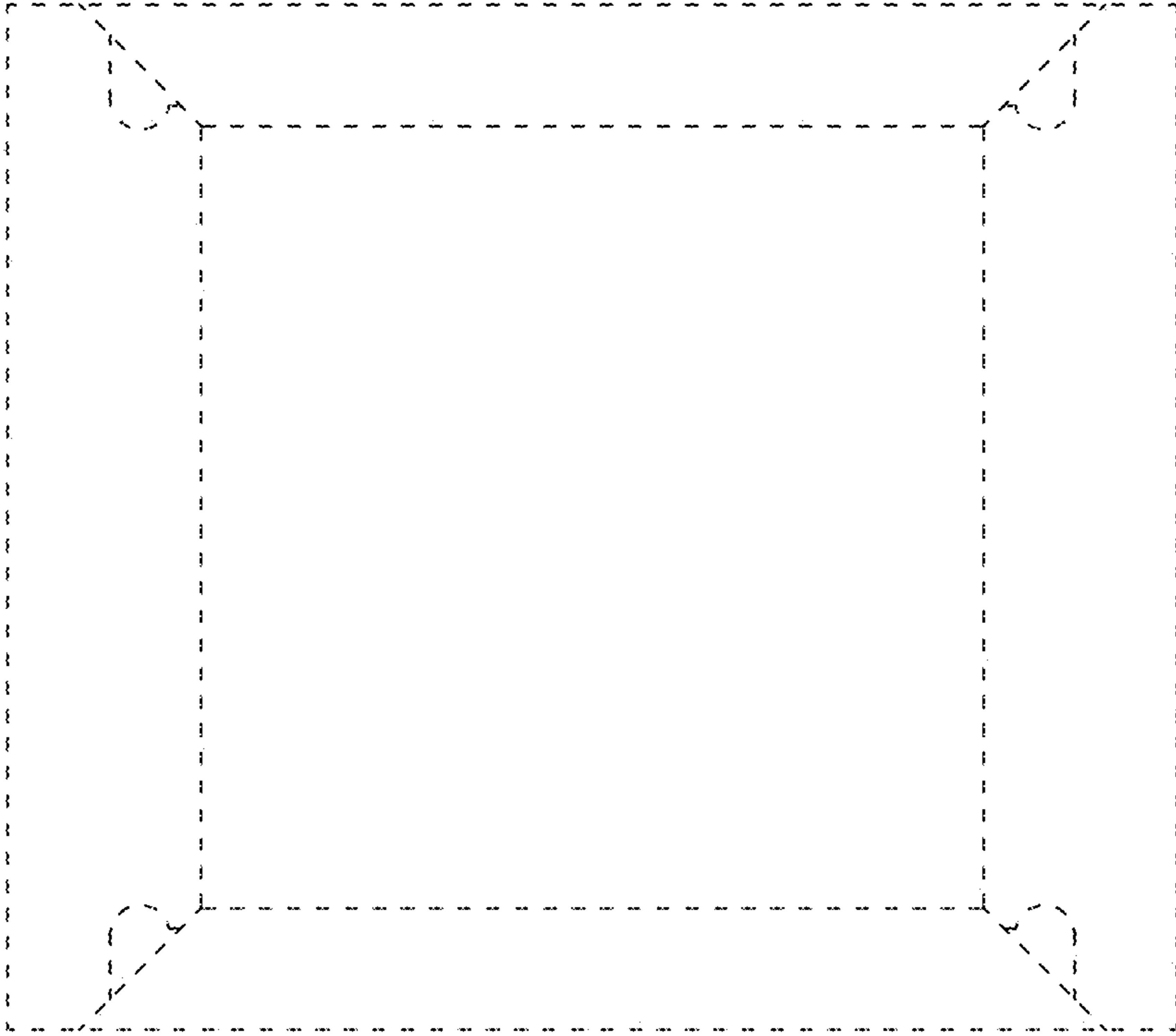


FIG.3

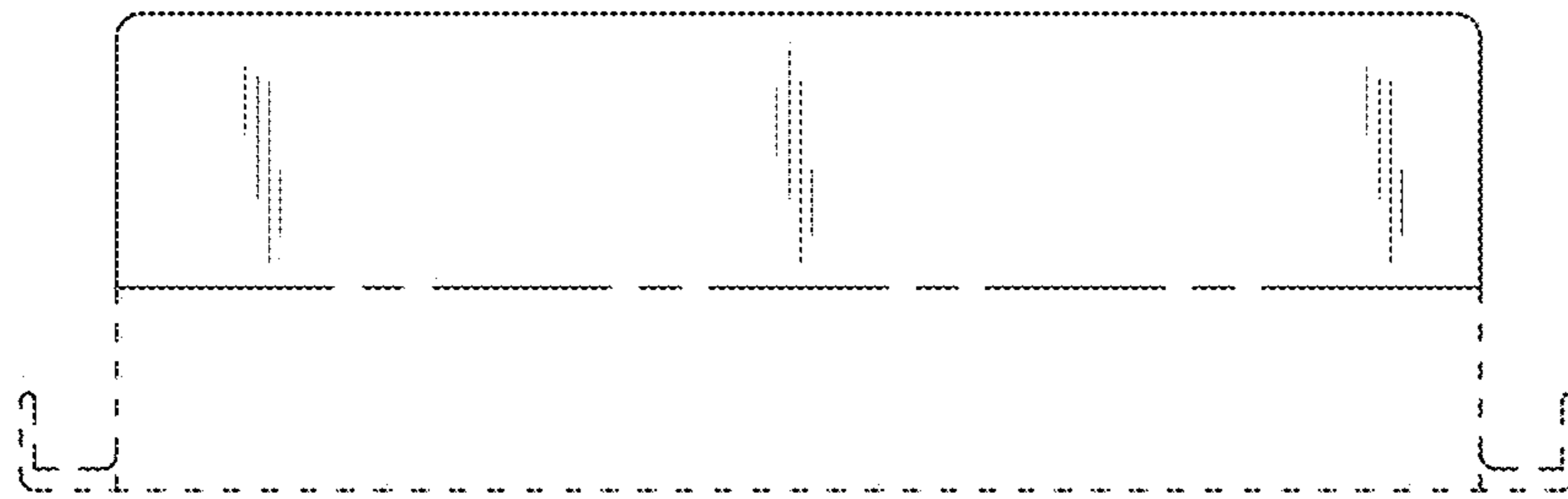


FIG.4

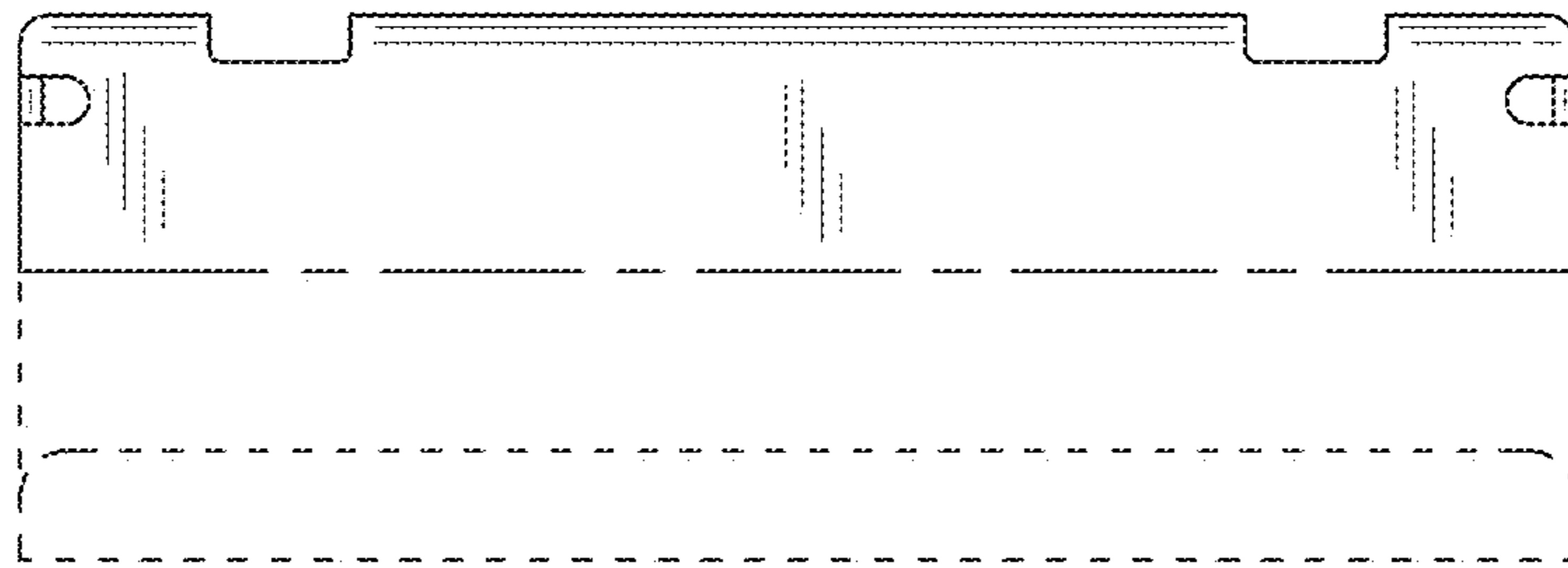


FIG.5

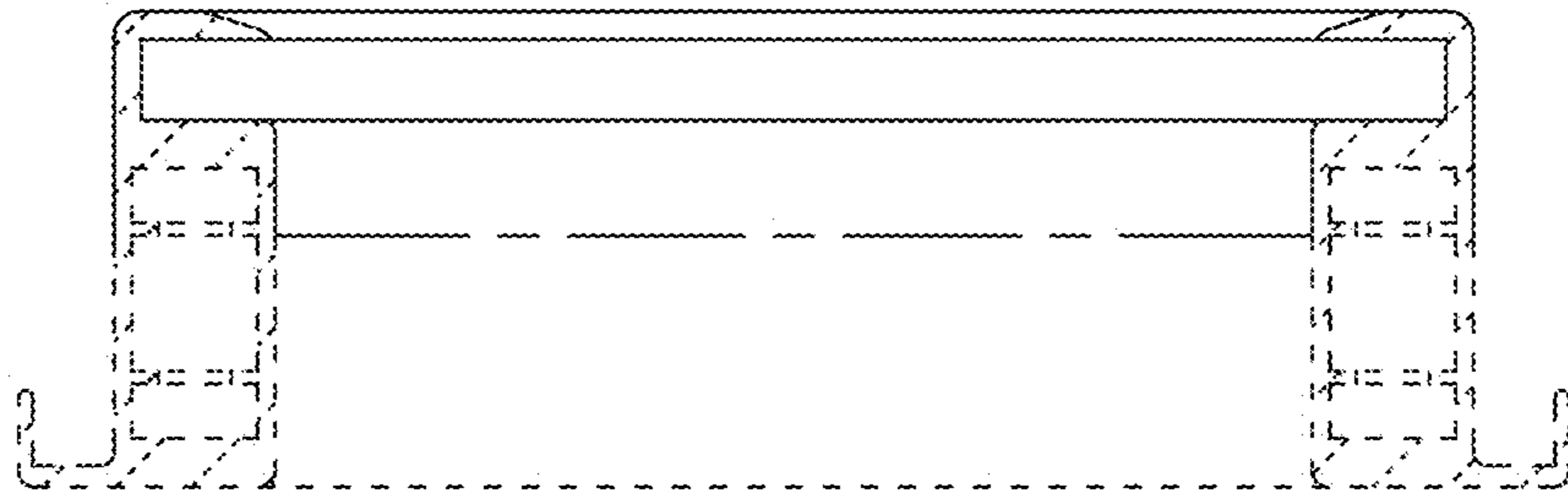


FIG.6

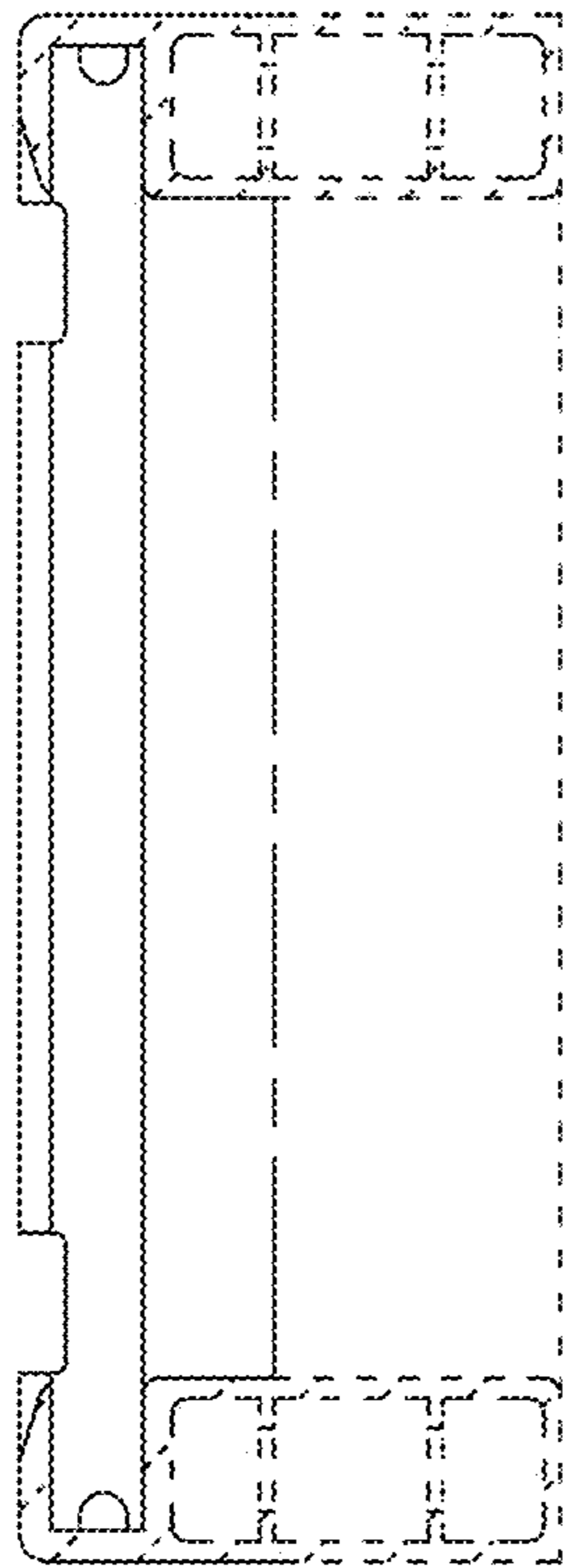


FIG.7



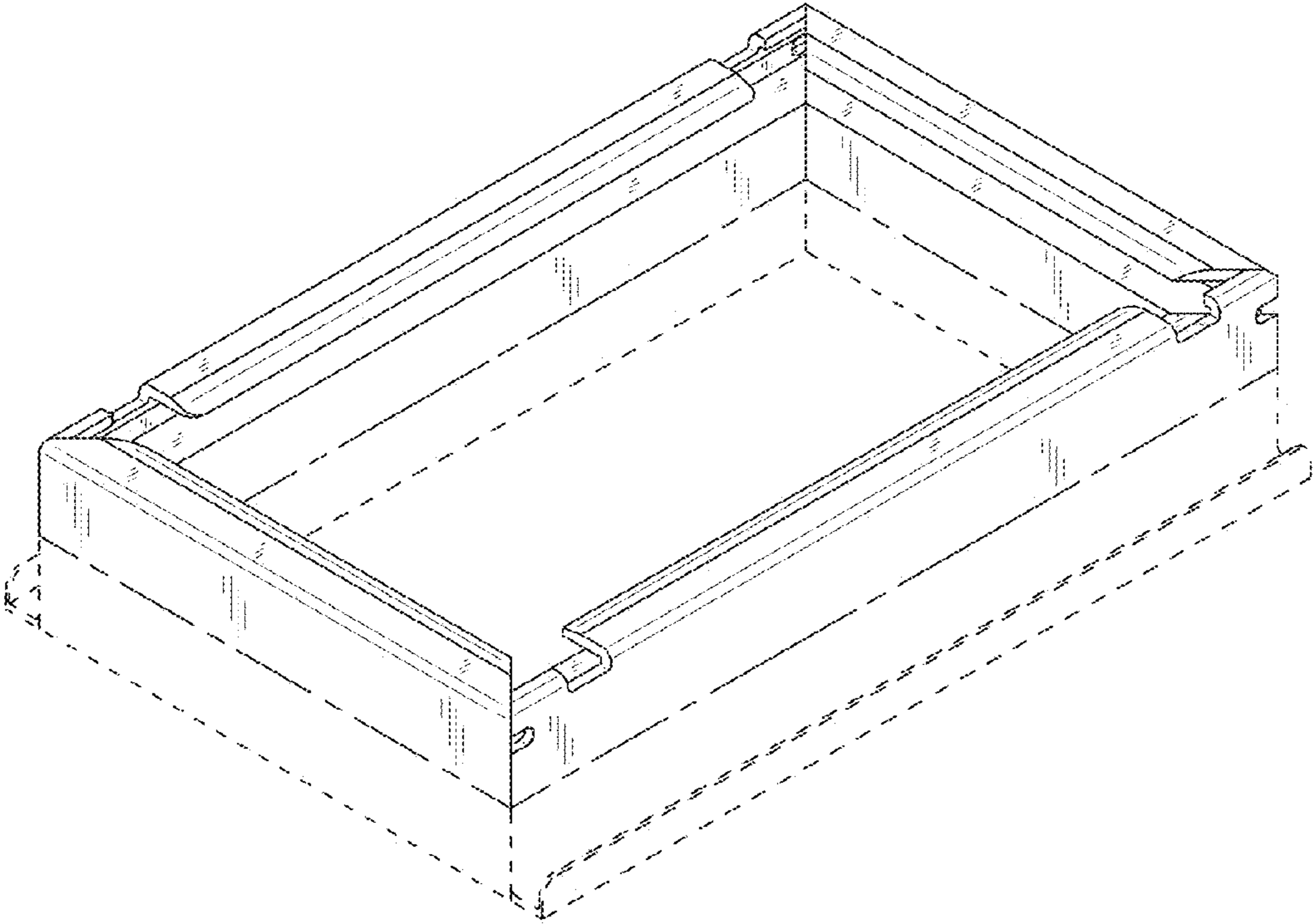


FIG.8

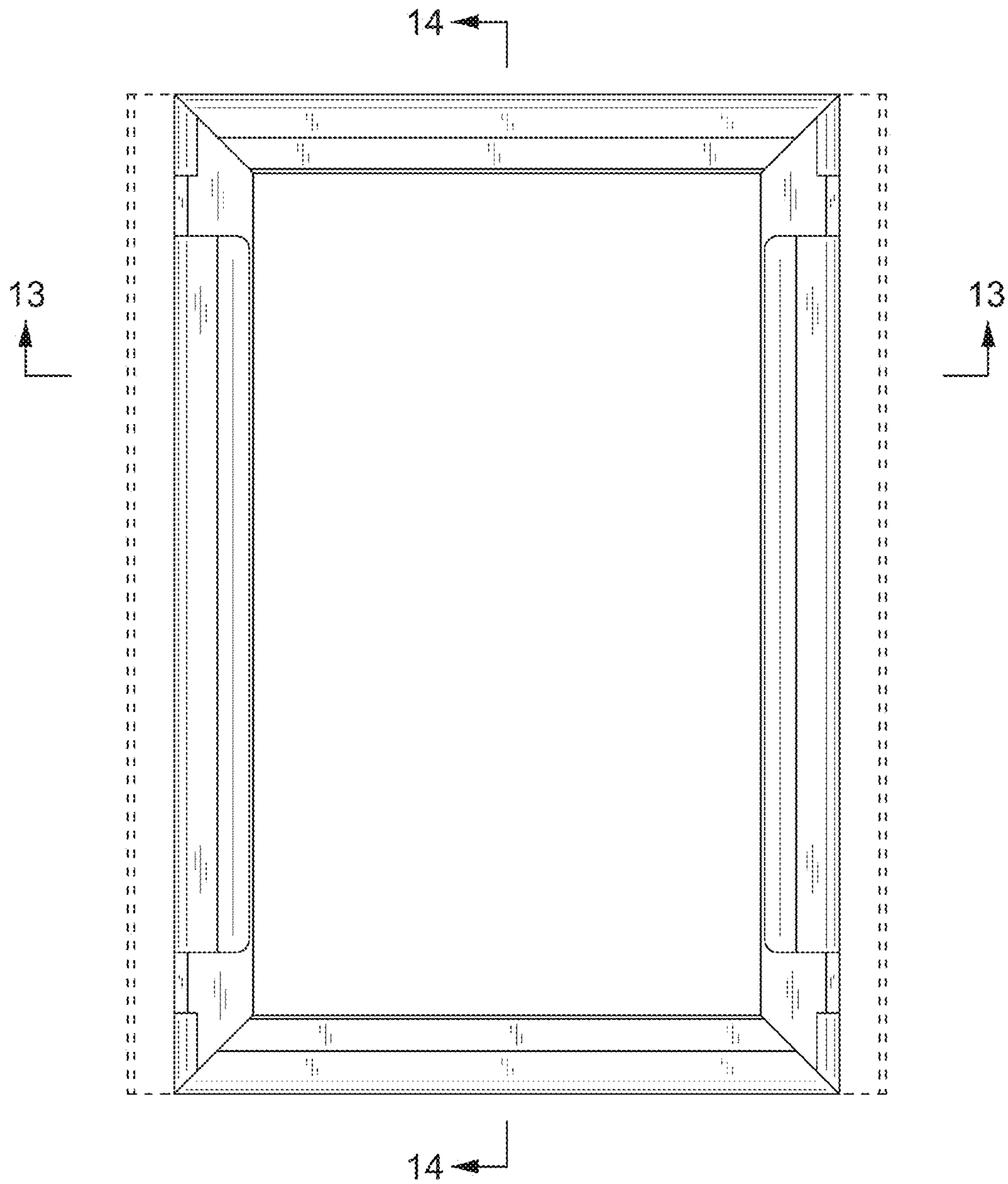


FIG.9

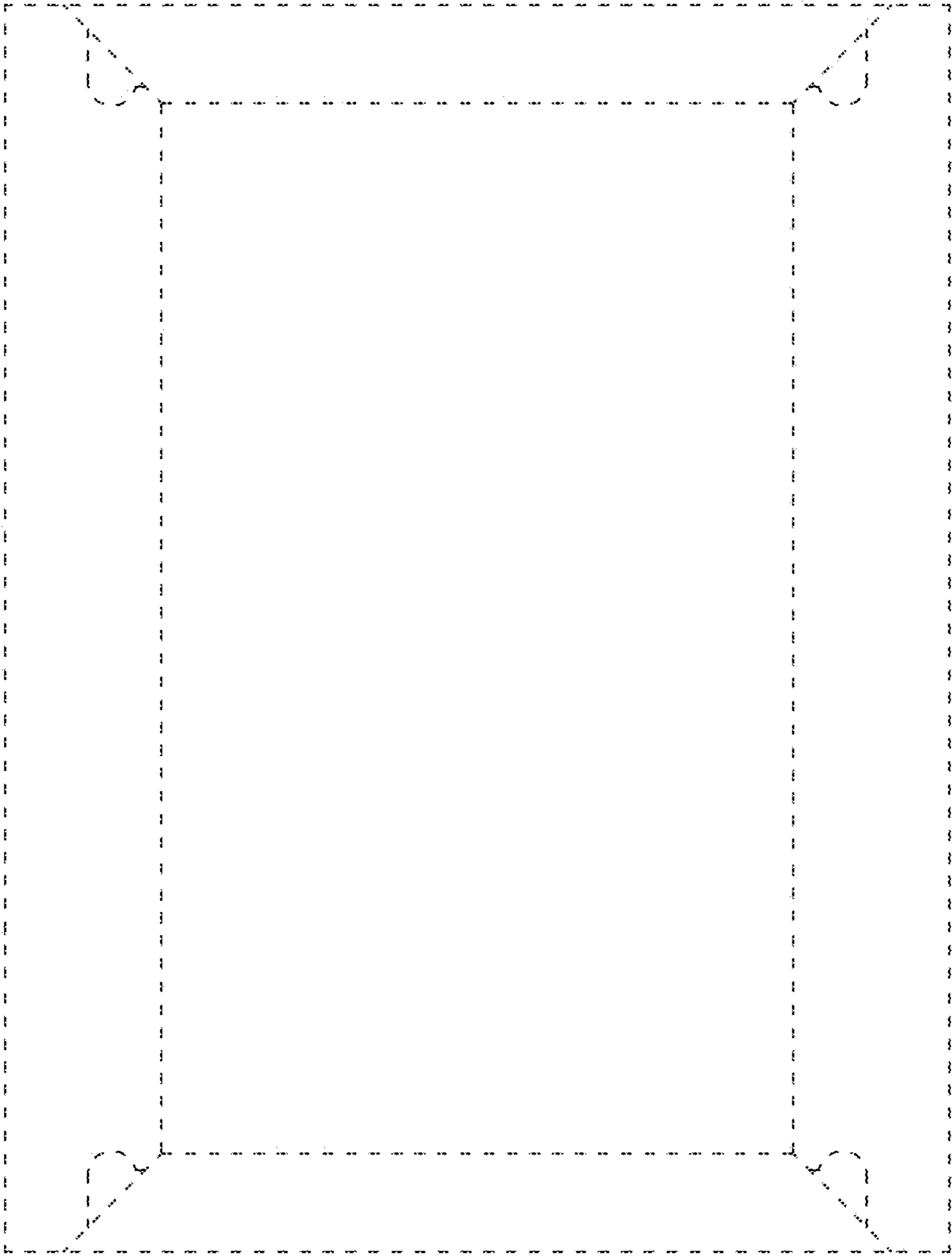


FIG.10

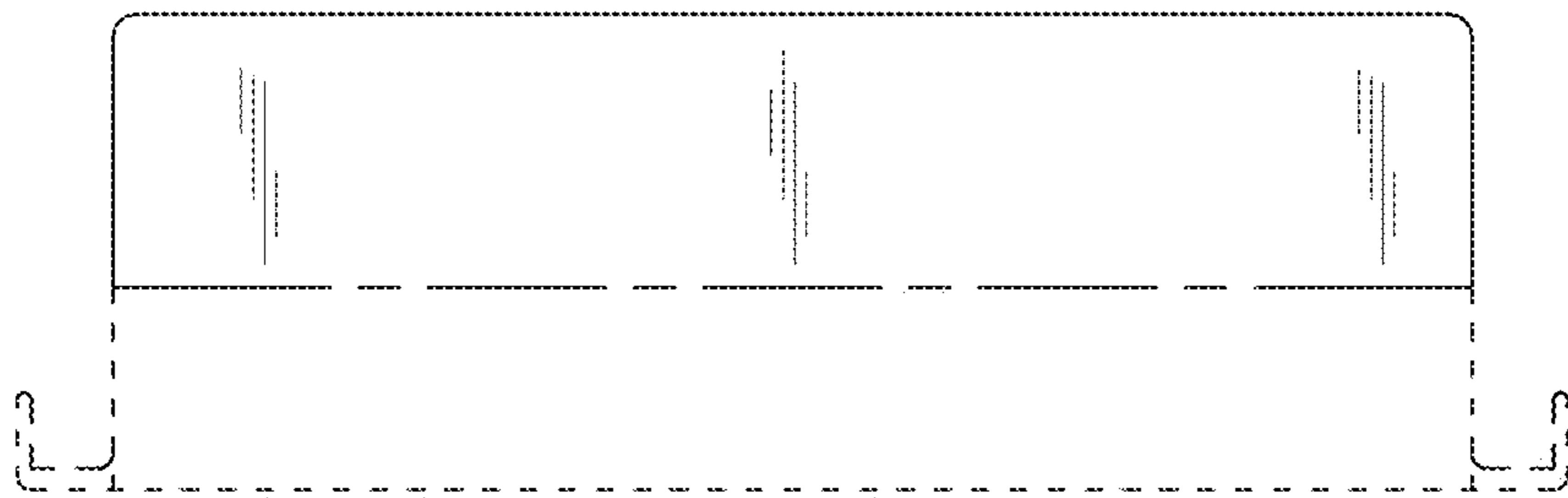


FIG.11

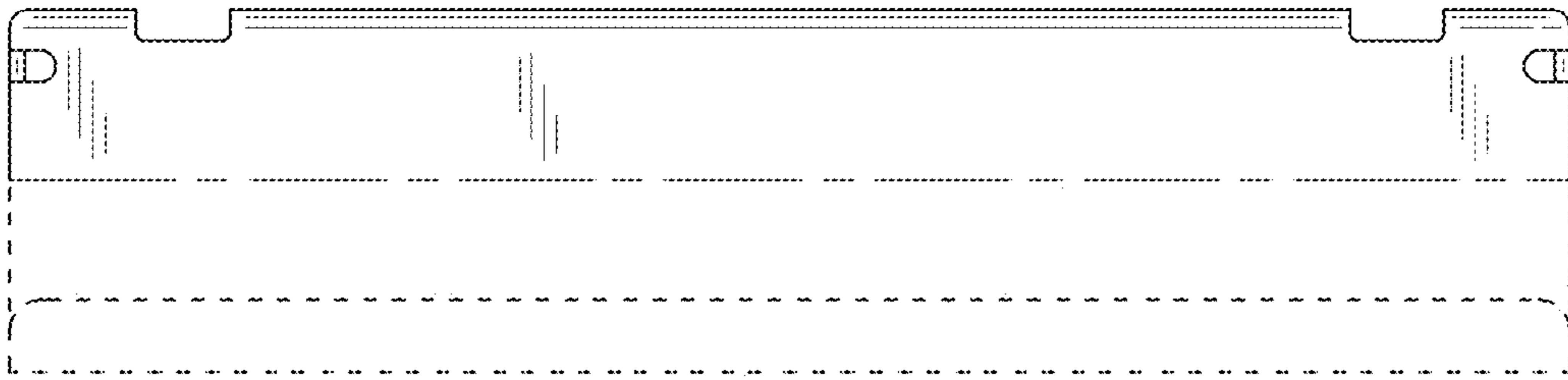


FIG.12

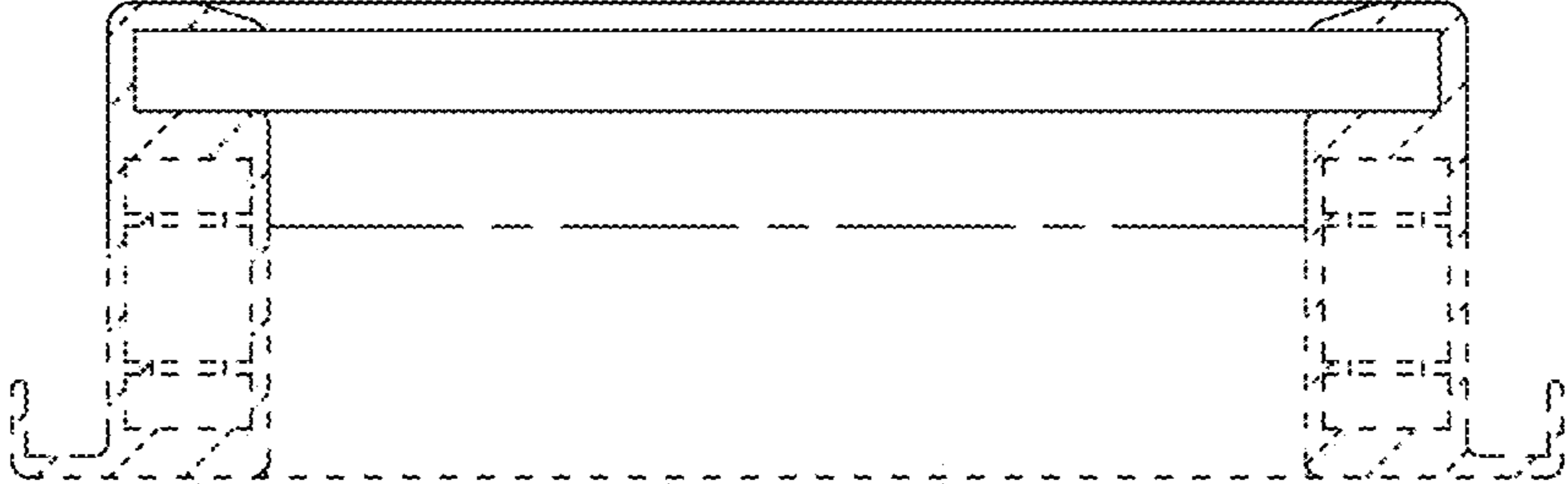


FIG.13

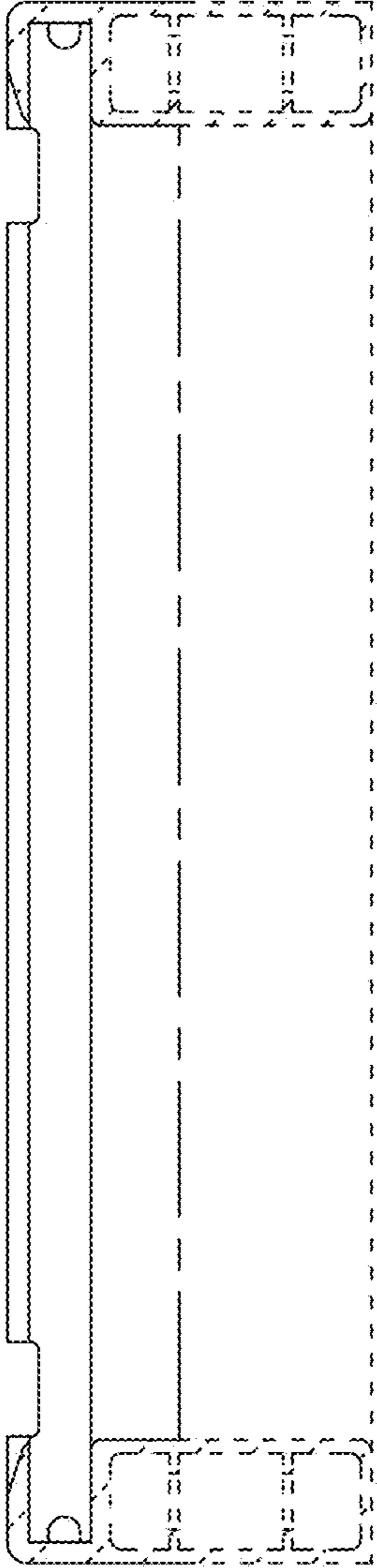


FIG.14