



US00D719499S

(12) **United States Design Patent**
Auerbach et al.

(10) **Patent No.:** **US D719,499 S**

(45) **Date of Patent:** **** Dec. 16, 2014**

(54) **REAR CAP OF A RECREATIONAL VEHICLE**

(56)

References Cited

(71) Applicant: **Monaco RV, LLC**, Decatur, IN (US)

U.S. PATENT DOCUMENTS

(72) Inventors: **Mitchell Edward Auerbach**, Plainfield, IL (US); **Rudolph David Gonzalez**, Aurora, IL (US); **Benjamin Anthony Kuzmicz**, Naperville, IL (US); **Joseph Edwin Otto**, Cincinnati, OH (US); **Robert B. Riggs**, St. Charles, IL (US); **Robert Paul Scott**, Aurora, IL (US); **Jonathan Allen Wicks**, North Aurora, IL (US)

D338,642	S	*	8/1993	Shea, Sr.	D12/100
D502,892	S	*	3/2005	Miernik	D12/100
D619,049	S	*	7/2010	Beigel et al.	D12/96
D623,091	S	*	9/2010	Beigel et al.	D12/96
D623,092	S	*	9/2010	Beigel et al.	D12/96
D634,244	S	*	3/2011	Aris et al.	D12/96
D642,961	S	*	8/2011	Beigel et al.	D12/96
D670,608	S		11/2012	Riggs		
D670,609	S		11/2012	Riggs		
D670,610	S		11/2012	Riggs		
D670,611	S		11/2012	Riggs		
D670,612	S		11/2012	Parkes		
D670,613	S		11/2012	Parkes		
D670,614	S		11/2012	Parkes		
D670,615	S		11/2012	Parkes		
D709,002	S	*	7/2014	Ito et al.	D12/173
2009/0209168	A1	*	8/2009	Ejima	446/93

(73) Assignee: **Monaco RV, LLC**, Decatur, IN (US)

(**) Term: **14 Years**

* cited by examiner

(21) Appl. No.: **29/438,038**

Primary Examiner — Deanna L Pratt

Assistant Examiner — Natasha Vujcic

(22) Filed: **Nov. 26, 2012**

(74) *Attorney, Agent, or Firm* — Hovey Williams LLP

(51) **LOC (10) Cl.** **12-16**

(57) **CLAIM**

(52) **U.S. Cl.**

The ornamental design for a rear cap of a recreational vehicle, as shown and described.

USPC **D12/400**; D12/100

DESCRIPTION

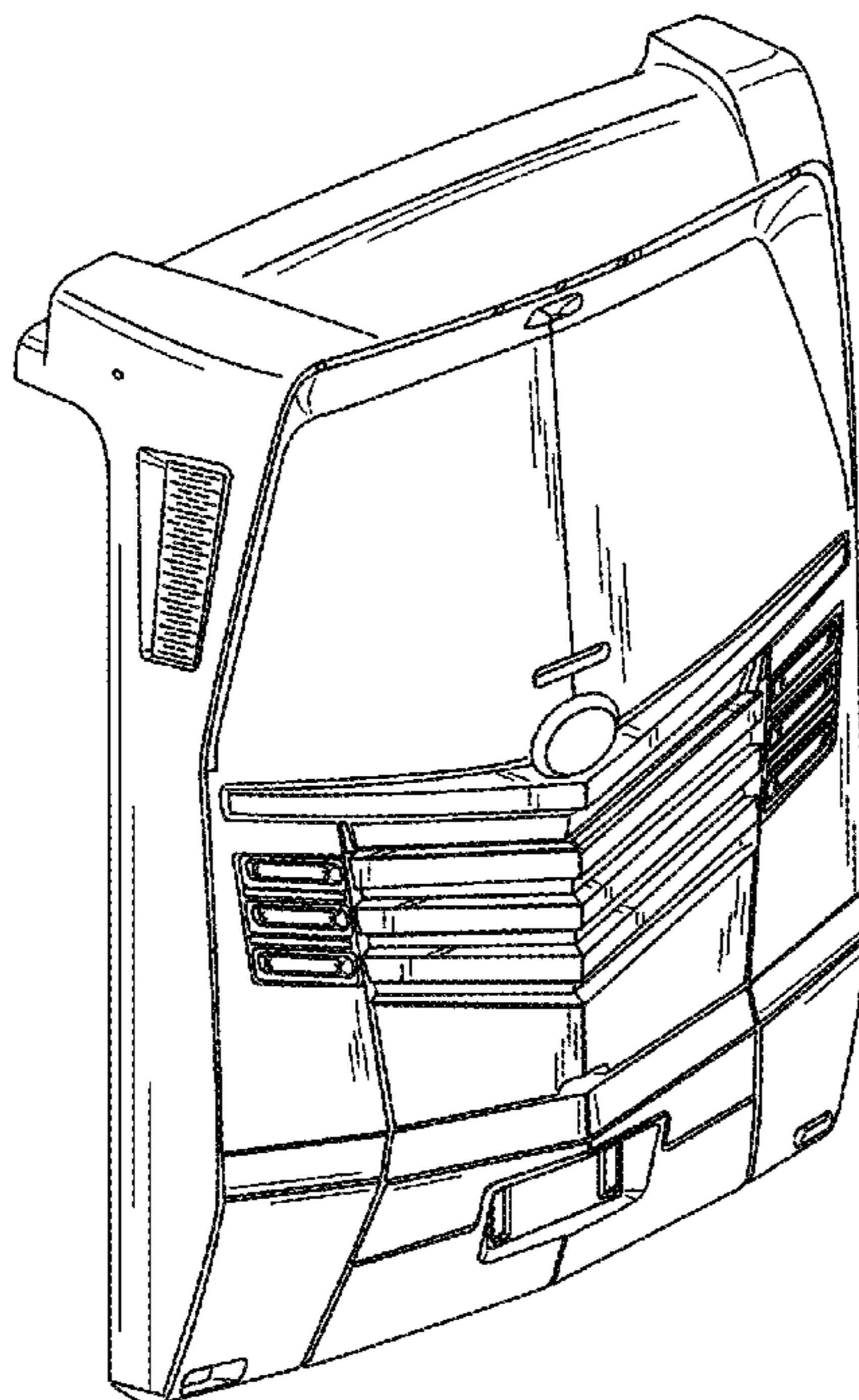
(58) **Field of Classification Search**

CPC B62D 25/08; B62D 25/10; B62D 25/16; B62D 25/18; B62D 35/00; B62D 35/001; B62D 35/005; B62D 35/007
USPC D12/84, 89, 96, 97, 100, 196, 203, 314, D12/400; D28/36, 92; 280/5.3, 163, 164.2, 280/166, 169, 291; 296/156, 164, 166

FIG. 1 is a FRONT AND RIGHT SIDE PERSPECTIVE view of a rear cap of a recreational vehicle showing our new design; FIG. 2 is a TOP PLAN view thereof; FIG. 3 is a FRONT SIDE ELEVATION view thereof; FIG. 4 is a LEFT SIDE ELEVATION view thereof; and, FIG. 5 is a RIGHT SIDE ELEVATION view thereof.

See application file for complete search history.

1 Claim, 3 Drawing Sheets



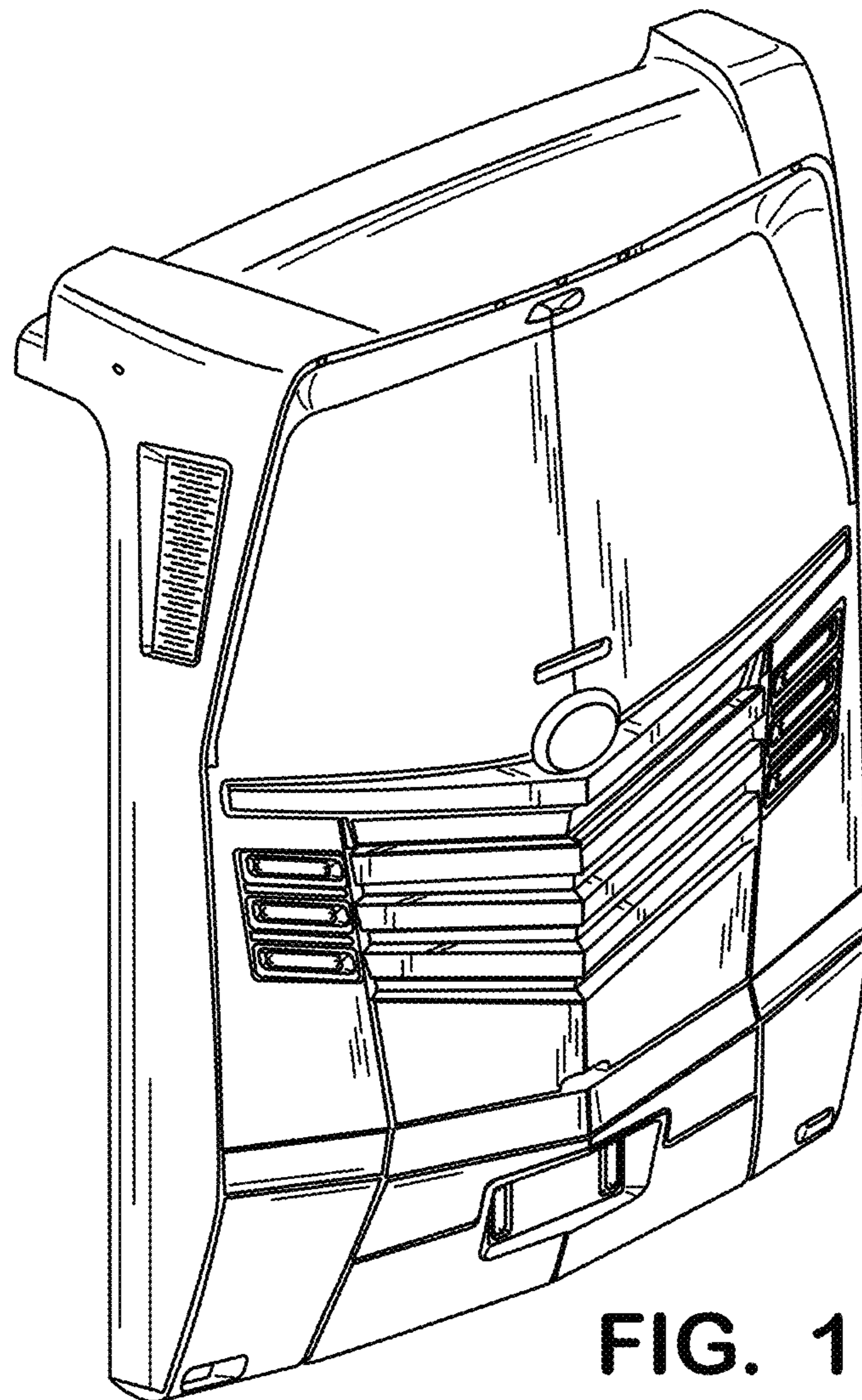


FIG. 1

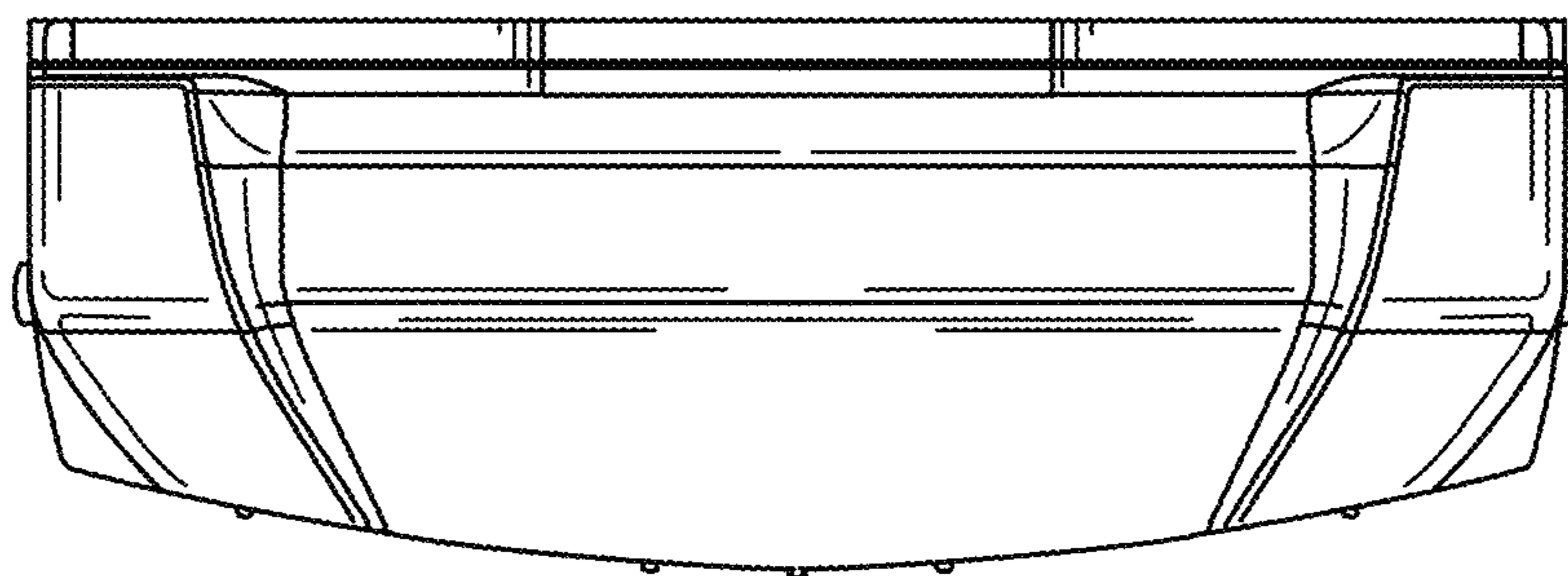


FIG. 2

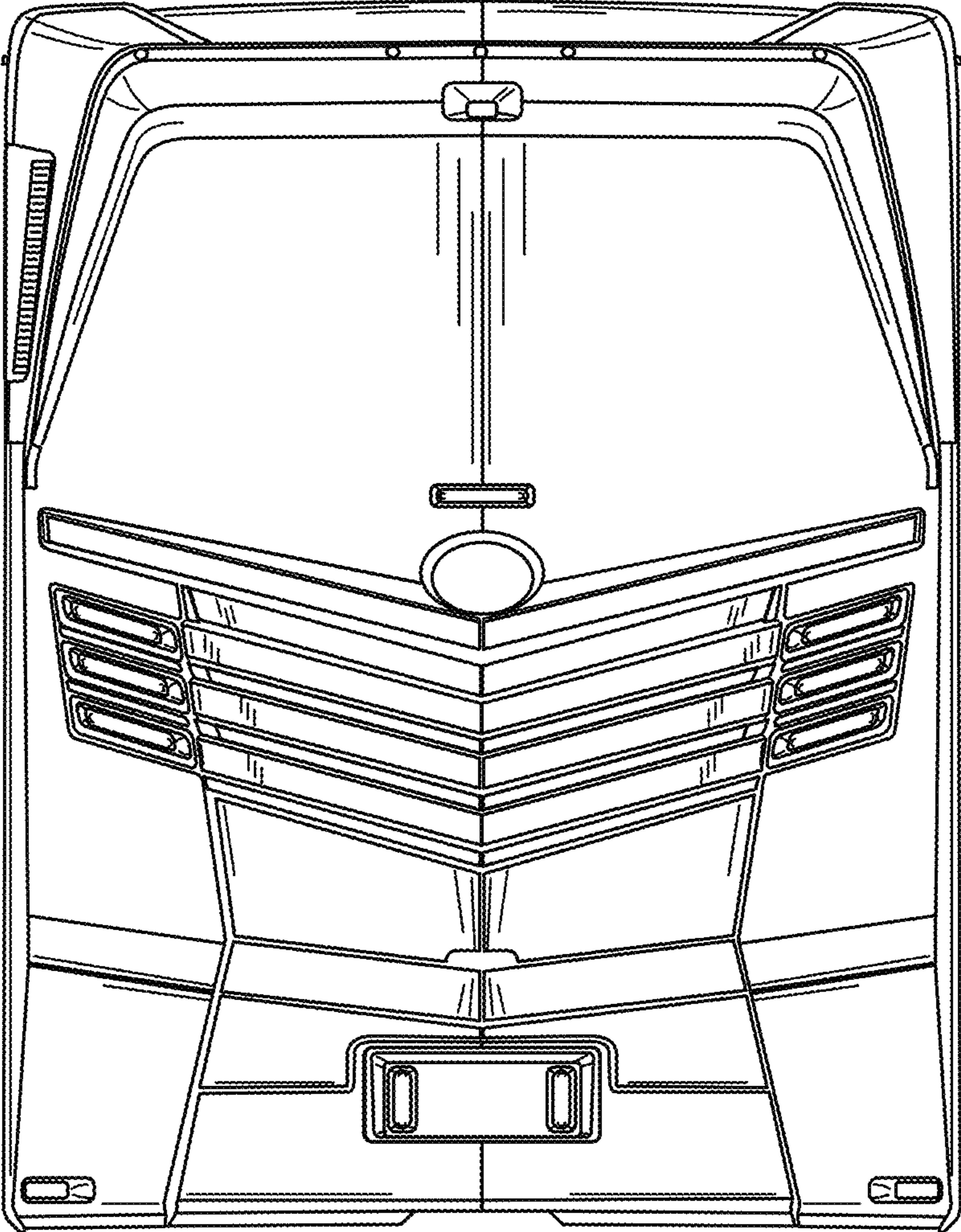


FIG. 3

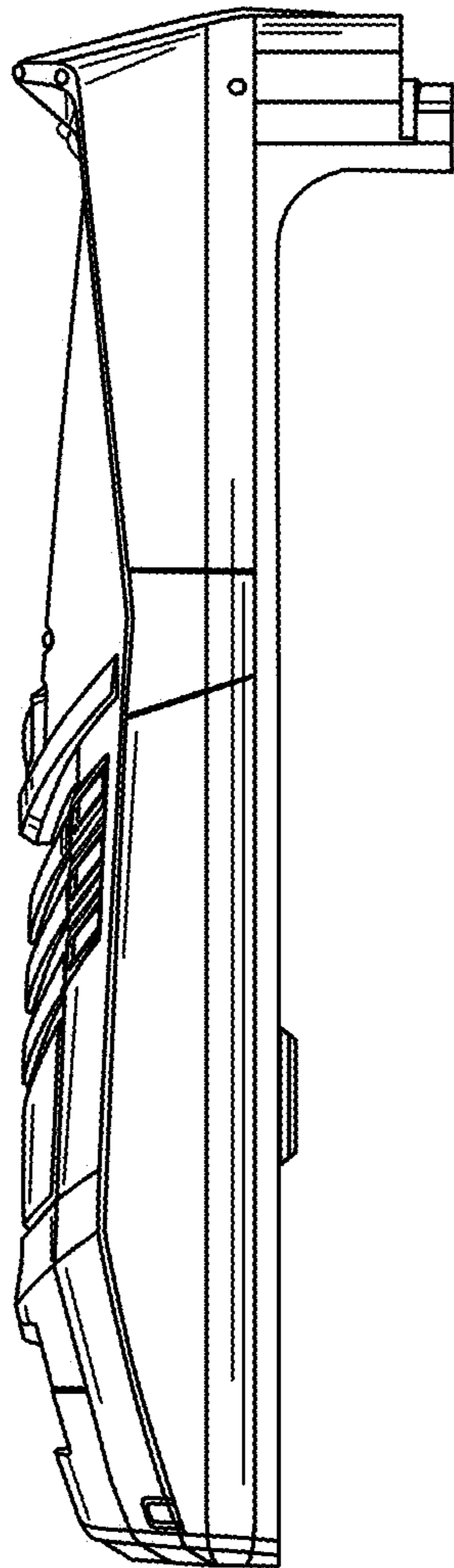


FIG. 4

FIG. 5

